



US00D917805S

(12) **United States Design Patent**  
**Huang**

(10) **Patent No.:** **US D917,805 S**  
(45) **Date of Patent:** **\*\* Apr. 27, 2021**

(54) **PORTABLE GARMENT STEAMER**  
(71) Applicant: **Shenzhen Simple-tech Electronic Technology Co., Ltd, Guangdong (CN)**  
(72) Inventor: **Guofei Huang, Guangdong (CN)**  
(73) Assignee: **Shenzhen Simple-tech Electronic Technology Co., Ltd, Shenzhen (CN)**  
(\*\*) Term: **15 Years**

4,206,340 A \* 6/1980 Osrow ..... D06F 75/16  
219/245  
D287,892 S \* 1/1987 Rosa ..... D32/17  
D388,562 S \* 12/1997 Doria ..... D32/17  
D421,670 S \* 3/2000 Schupp ..... D32/17  
6,275,653 B1 \* 8/2001 Montipo' ..... B08B 9/00  
392/405  
D465,309 S \* 11/2002 Foersterling ..... D32/35  
6,513,269 B2 \* 2/2003 Kobayashi ..... D06F 75/20  
38/93  
D473,987 S \* 4/2003 Foersterling ..... D32/35  
(Continued)

(21) Appl. No.: **29/691,912**  
(22) Filed: **May 21, 2019**  
(51) **LOC (13) Cl.** ..... **15-05**  
(52) **U.S. Cl.**  
USPC ..... **D32/17**  
(58) **Field of Classification Search**  
USPC ..... D32/17, 18, 31, 32, 35  
CPC ..... D06F 75/16; D06F 73/00; D06F 75/26;  
D06F 75/20; D06F 75/30; D06F 87/00;  
B08B 3/00; B08B 9/00; F16L 37/40;  
A61L 2/07; A61F 9/0026; D06M 11/34  
See application file for complete search history.

**OTHER PUBLICATIONS**

Garment Steamer <https://www.amazon.com/OGHom-Steamer-Clothes-Handheld-Clothing/dp/B07JGRV3TQ> (Year: 2018).\*  
(Continued)

*Primary Examiner* — Michelle E. Wilson  
*Assistant Examiner* — Richard E Yenchesky

(57) **CLAIM**

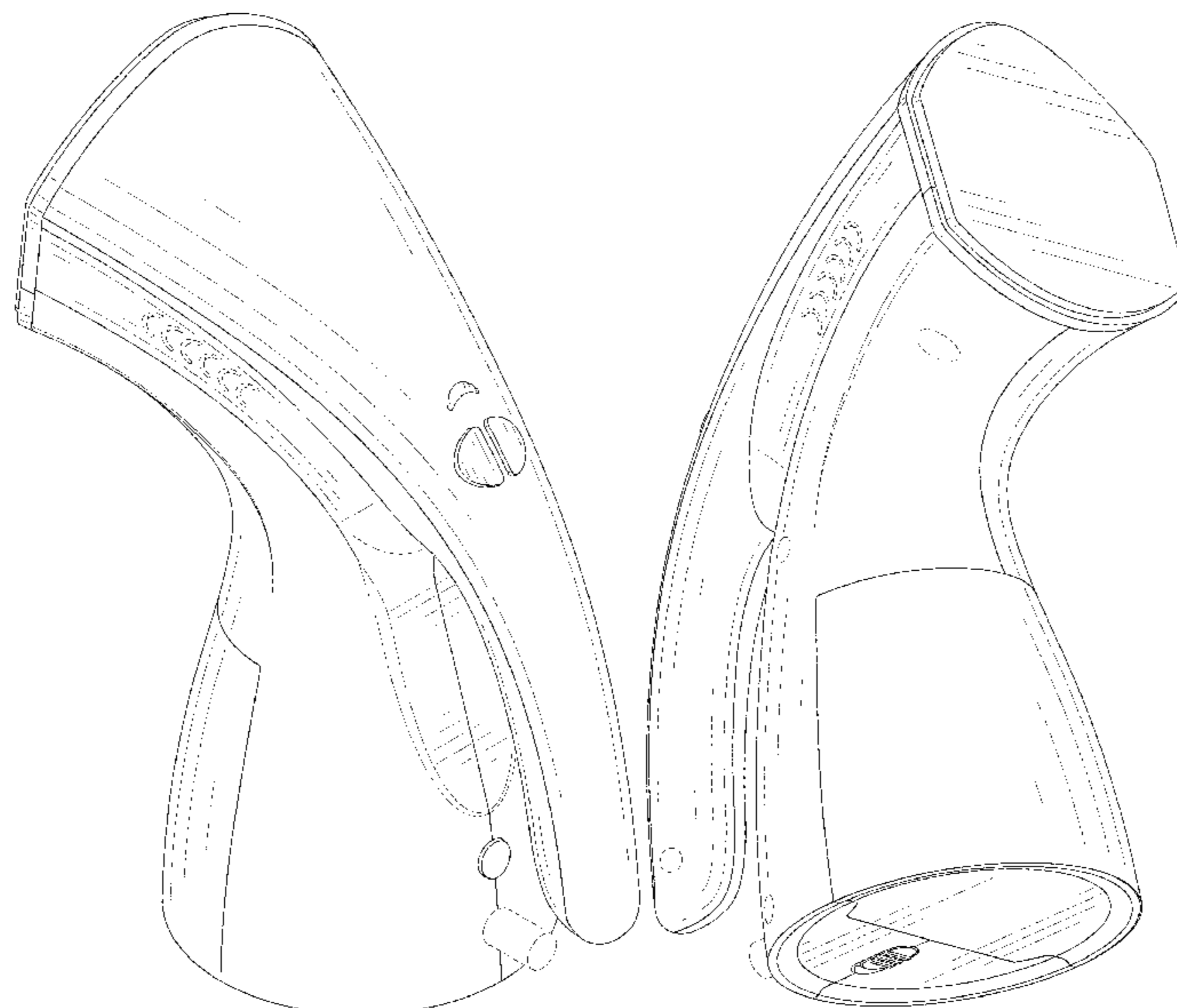
The ornamental design for a portable garment steamer, as shown and described.

**DESCRIPTION**

FIG. 1 is a top, front and left side perspective view of a portable garment steamer showing my new design;  
FIG. 2 is a bottom, rear and right side perspective view thereof;  
FIG. 3 is a front elevational view thereof;  
FIG. 4 is a rear elevational view thereof;  
FIG. 5 is a left side view thereof;  
FIG. 6 is a right side view thereof;  
FIG. 7 is a top plan view thereof; and,  
FIG. 8 is a bottom plan view thereof.  
The broken lines in the drawings illustrate portions of the portable garment steamer which form no part of the claimed design.

(56) **References Cited**  
**U.S. PATENT DOCUMENTS**  
D150,177 S \* 7/1948 Terrailon ..... D32/17  
D207,632 S \* 5/1967 Anderson ..... D32/17  
D219,751 S \* 1/1971 Osrow ..... D32/17  
D221,992 S \* 9/1971 Bluestein ..... D32/17  
3,620,055 A \* 11/1971 Blachly ..... D06F 75/30  
68/222  
3,654,780 A \* 4/1972 Frank ..... D06F 87/00  
68/222  
D229,016 S \* 11/1973 Plasko ..... D32/17  
D232,802 S \* 9/1974 Steinkamp ..... D32/17  
D233,209 S \* 10/1974 Terrailon ..... D32/17  
3,969,607 A \* 7/1976 Osrow ..... D06F 87/00  
392/335

**1 Claim, 8 Drawing Sheets**



(56)

References Cited

U.S. PATENT DOCUMENTS

D481,183 S \* 10/2003 Mangano ..... D32/17  
 6,986,217 B2 \* 1/2006 Leung ..... D06F 73/00  
 38/77.83  
 D516,759 S \* 3/2006 Lam ..... D32/17  
 D587,866 S \* 3/2009 Mangano ..... D32/17  
 D592,366 S \* 5/2009 Mangano ..... D32/17  
 D598,614 S \* 8/2009 Lam ..... D32/17  
 7,661,212 B2 \* 2/2010 Hahn ..... D06F 75/20  
 38/81  
 D611,208 S \* 3/2010 Lam ..... D32/17  
 7,721,474 B2 \* 5/2010 Jiang ..... D06F 75/26  
 38/77.7  
 D620,208 S \* 7/2010 Mangano ..... D32/17  
 D620,651 S \* 7/2010 Enervold ..... D32/17  
 D623,363 S \* 9/2010 Ediger ..... D32/17  
 D634,493 S \* 3/2011 Breit ..... D32/17  
 D648,494 S \* 11/2011 Vrdoljak ..... D32/17  
 D674,564 S \* 1/2013 Mangano ..... D32/17  
 D707,902 S \* 6/2014 Mangano ..... D32/17  
 D716,007 S \* 10/2014 Mangano ..... D32/17  
 D725,326 S \* 3/2015 Spencer ..... D32/17  
 D734,575 S \* 7/2015 Zeng ..... D32/18  
 D753,354 S \* 4/2016 Casini ..... D32/17

D771,331 S \* 11/2016 Chaklos ..... D32/17  
 D820,540 S \* 6/2018 Cartwright ..... D32/31  
 D821,668 S \* 6/2018 Cartwright ..... D32/31  
 D844,263 S \* 3/2019 Ediger ..... D32/17  
 2005/0125934 A1 \* 6/2005 Reese ..... F16L 37/40  
 15/320  
 2008/0022480 A1 \* 1/2008 Lee ..... B08B 3/00  
 15/320  
 2010/0024492 A1 \* 2/2010 Leung ..... D06F 73/00  
 68/222  
 2010/0269287 A1 \* 10/2010 Vrdoljak ..... A61L 2/07  
 15/322  
 2018/0200106 A1 \* 7/2018 Zoumalan ..... A61F 9/0026  
 2020/0362505 A1 \* 11/2020 Razouki ..... D06M 11/34

OTHER PUBLICATIONS

Garment Steamer <https://www.walmart.ca/en/ip/Hilife-Steamer-for-Clothes-Steamer-Handheld-Garment-Steamer-Clothing-Mini-Travel-Steamer-Fabric-Steam-Iron-240ml-Big-Capacity-Upgraded-Version/PRD41U3RVII1RE6B> (Year: 2021).\*  
 Garment Steamer <https://www.amazon.co.uk/Uomeod-Portable-Clothes-Capacity-Handheld/dp/B082VSM3XG> (Year: 2020).\*

\* cited by examiner

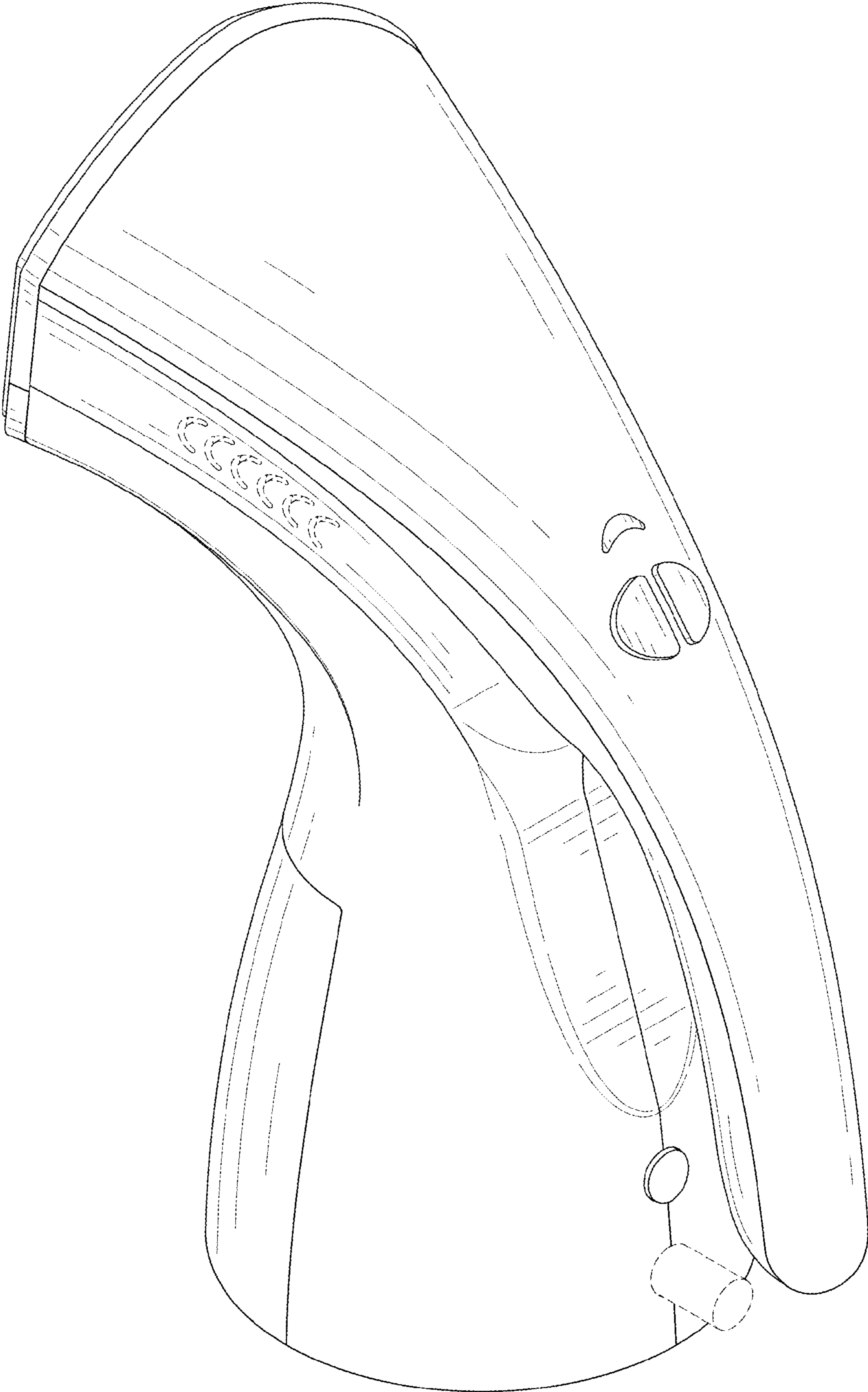


FIG. 1



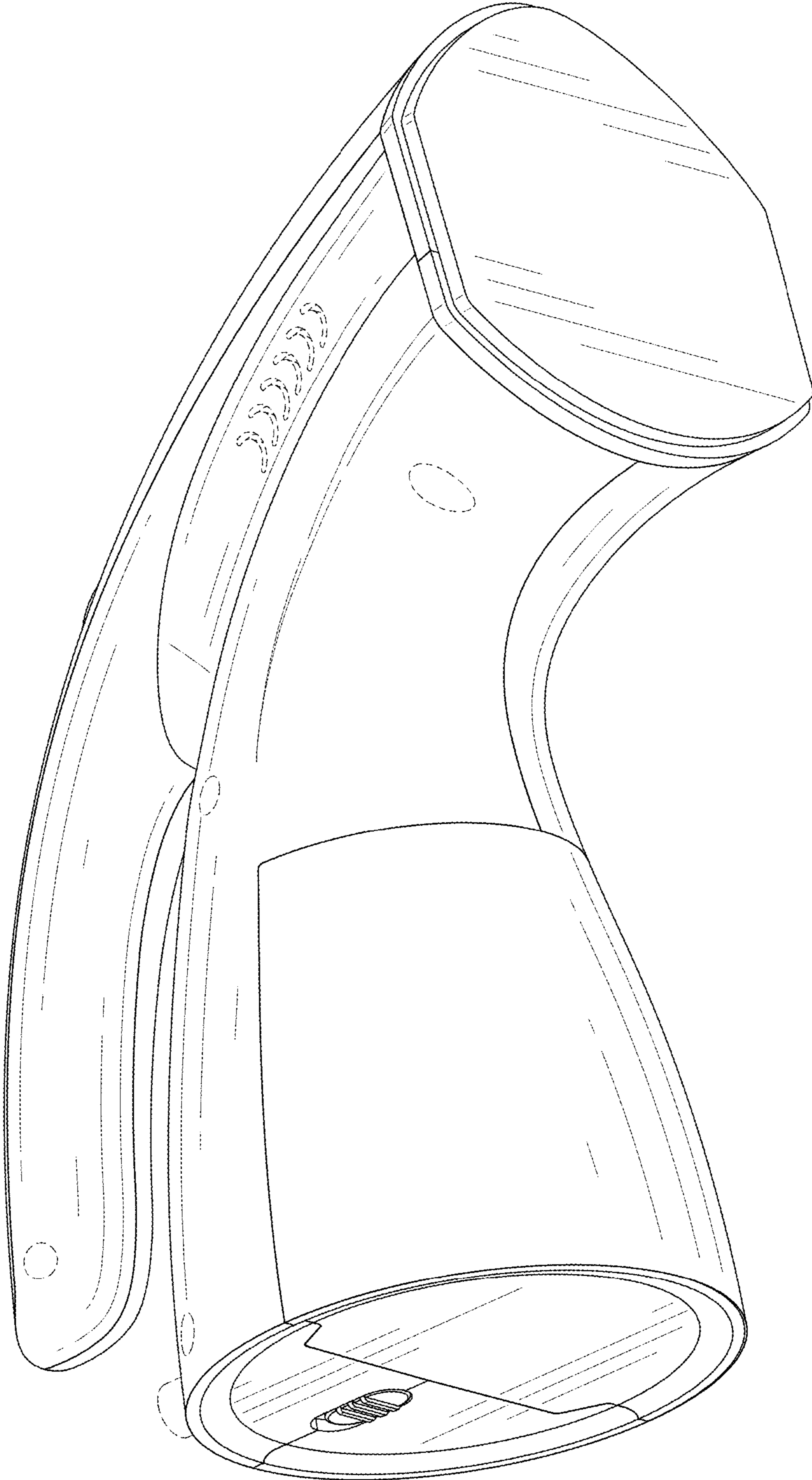


FIG. 2

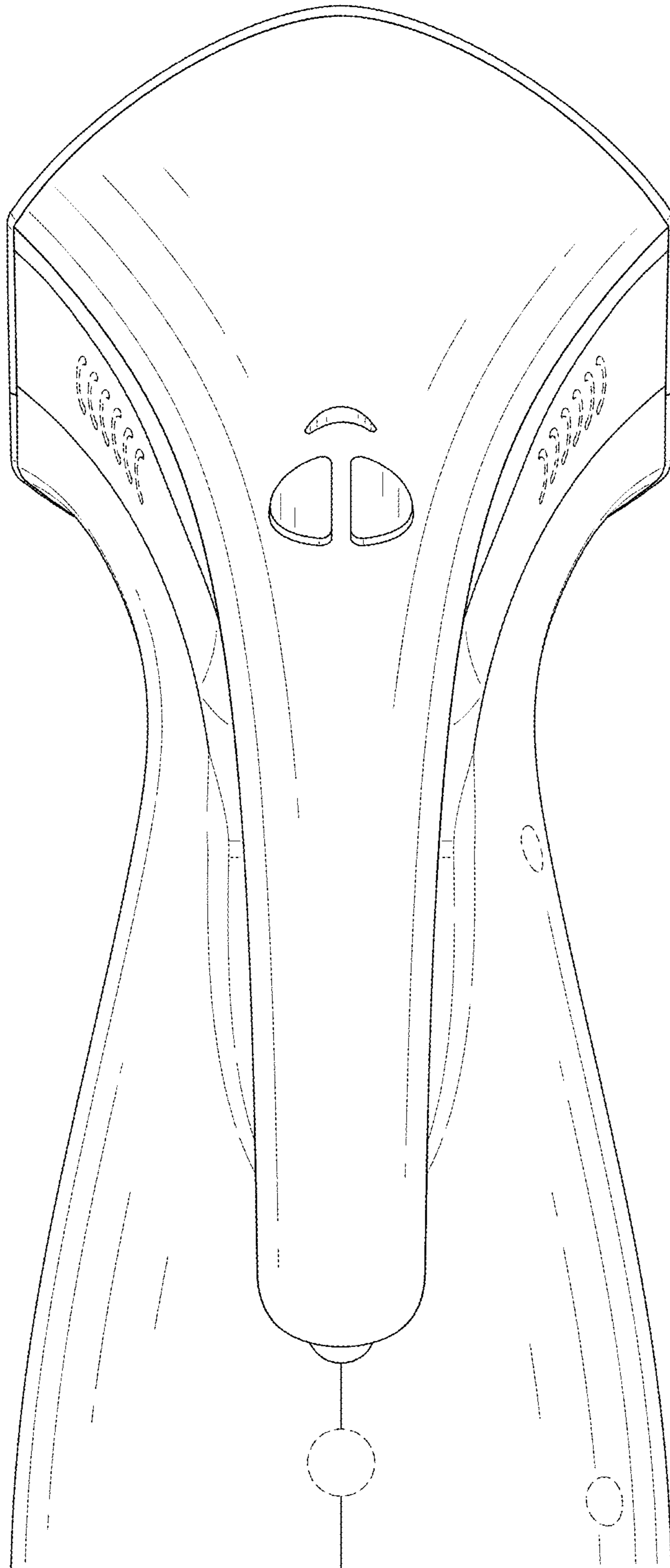


FIG. 3

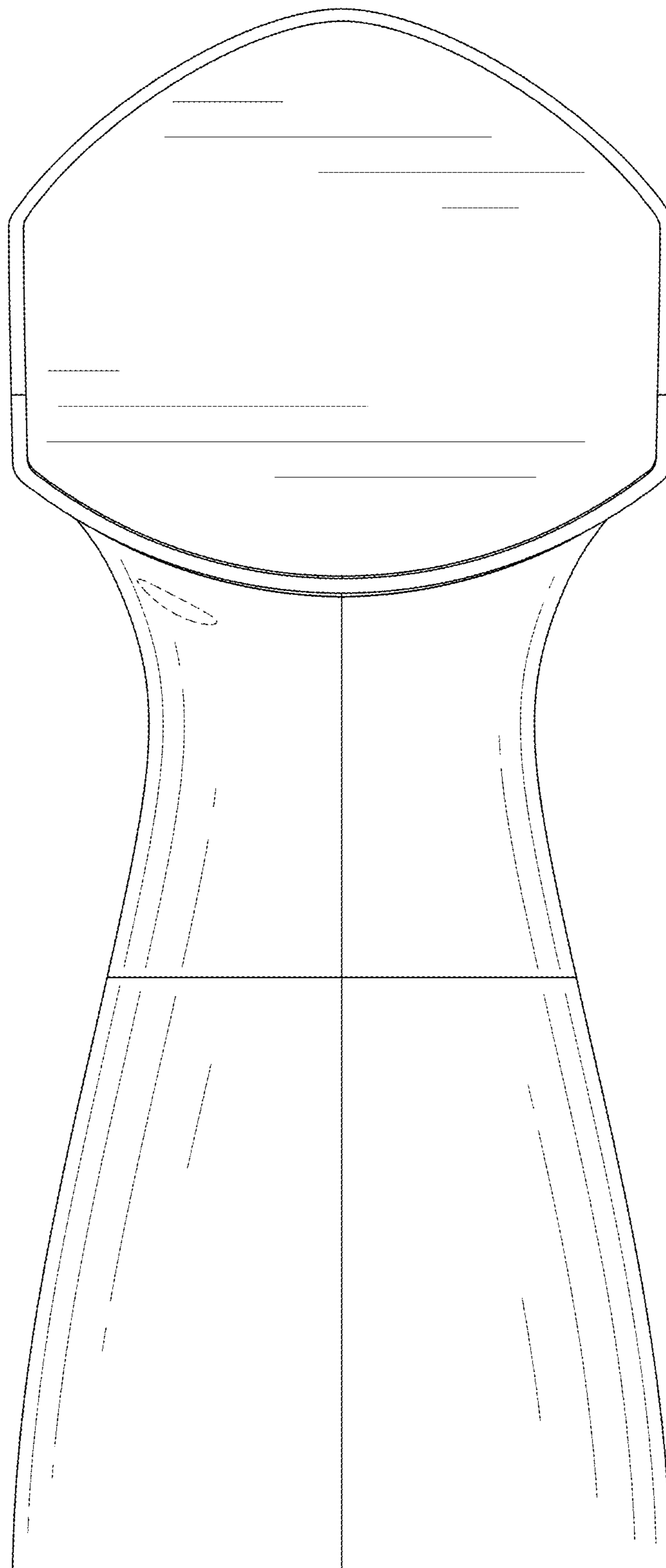


FIG. 4

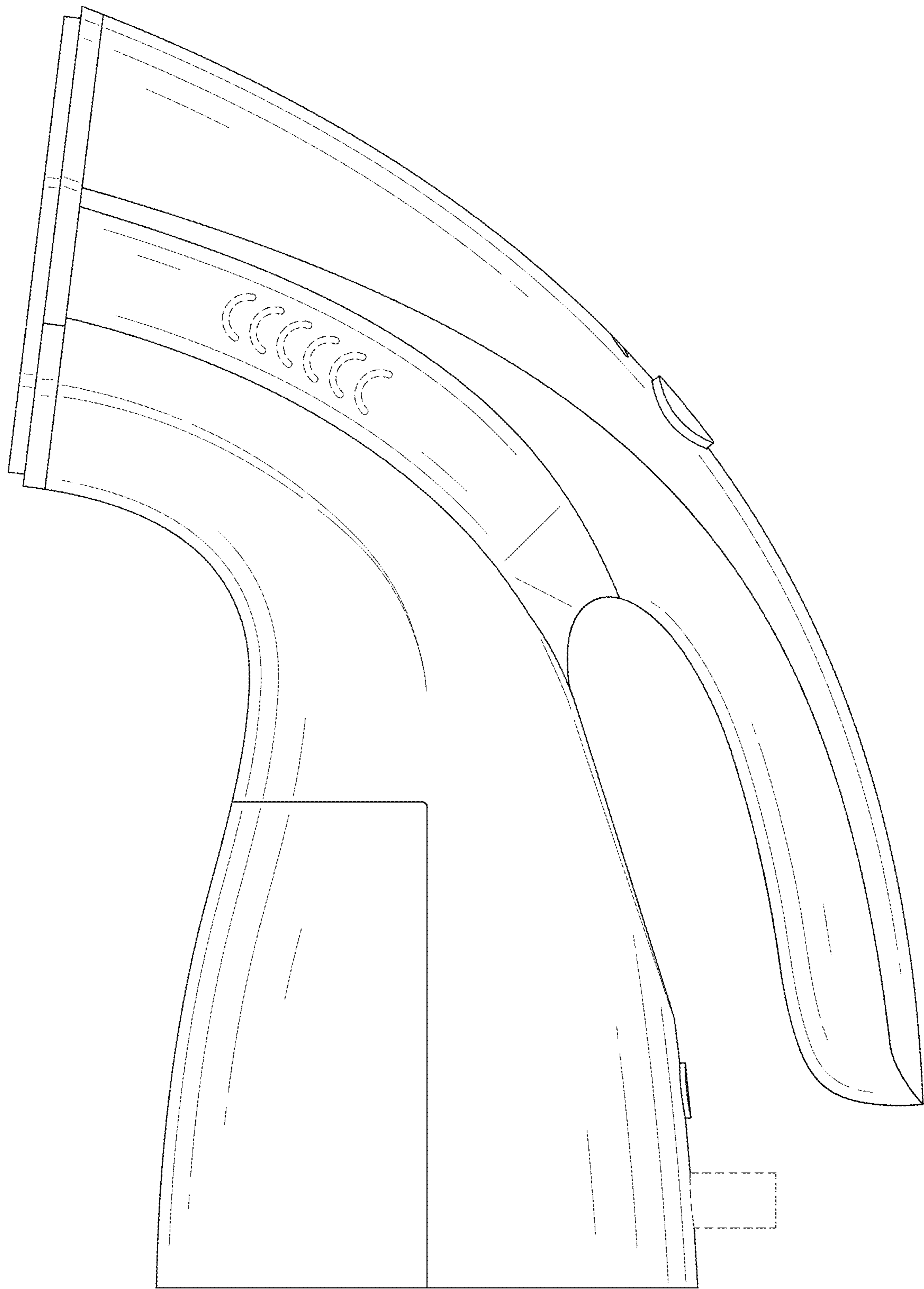


FIG. 5

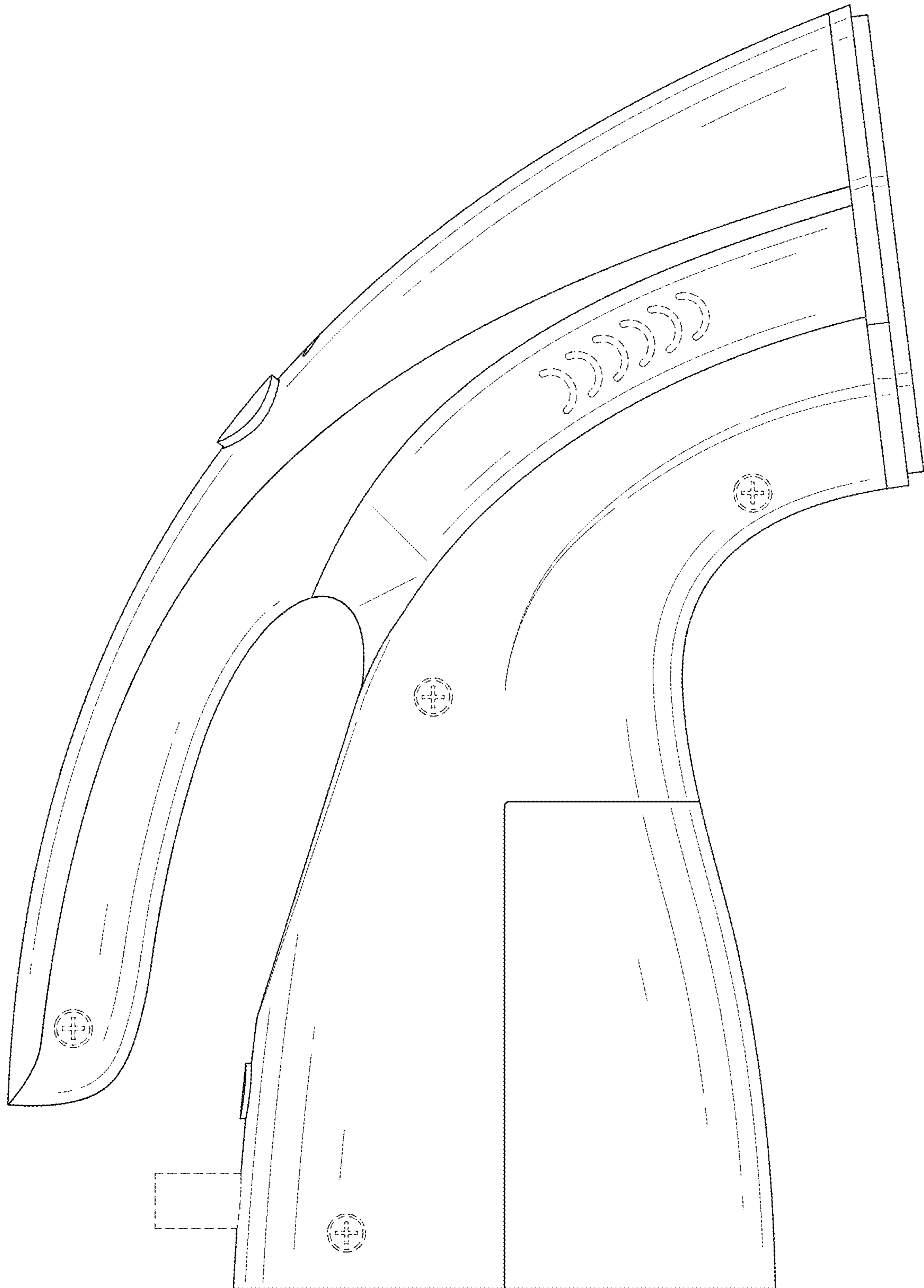


FIG. 6



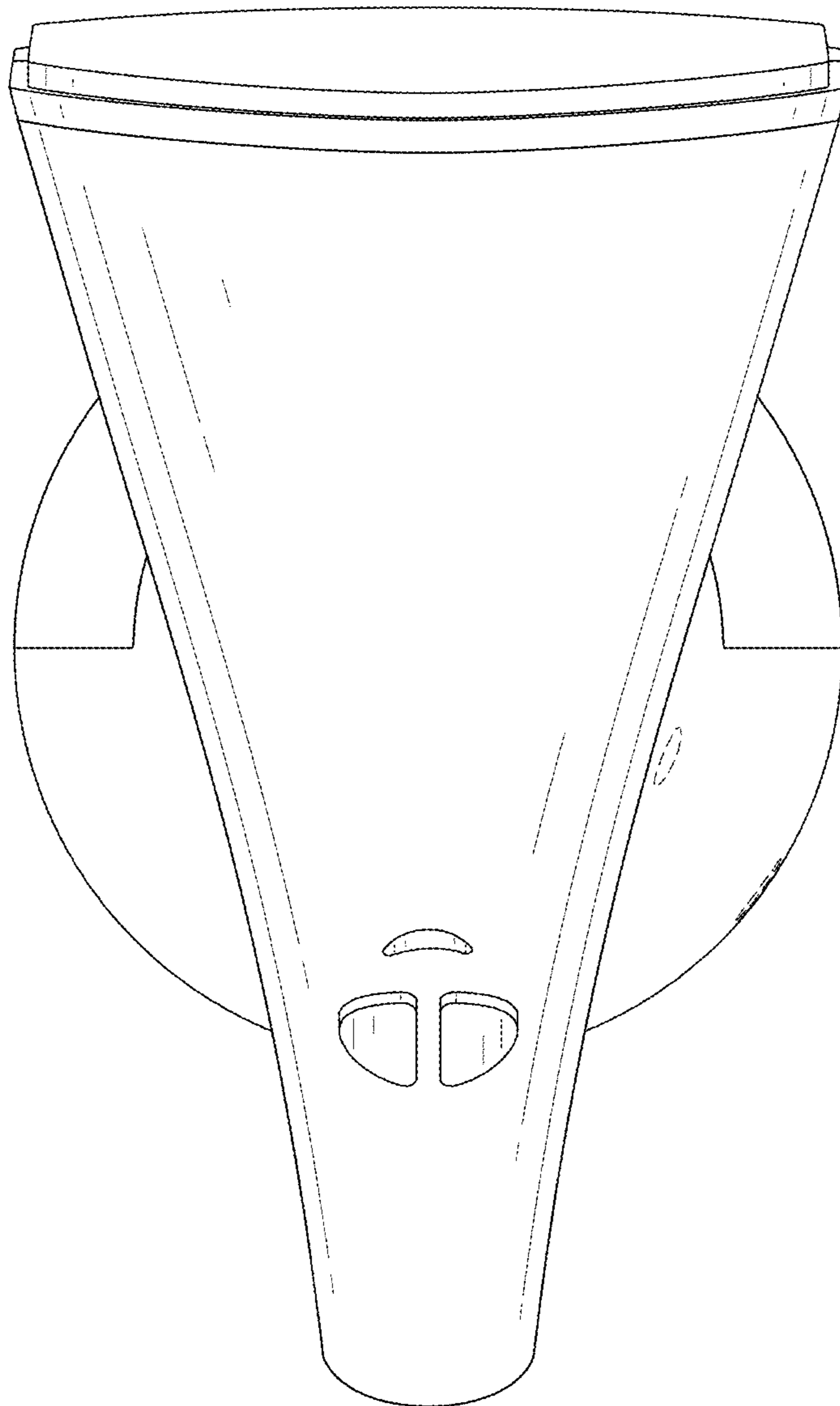


FIG. 7

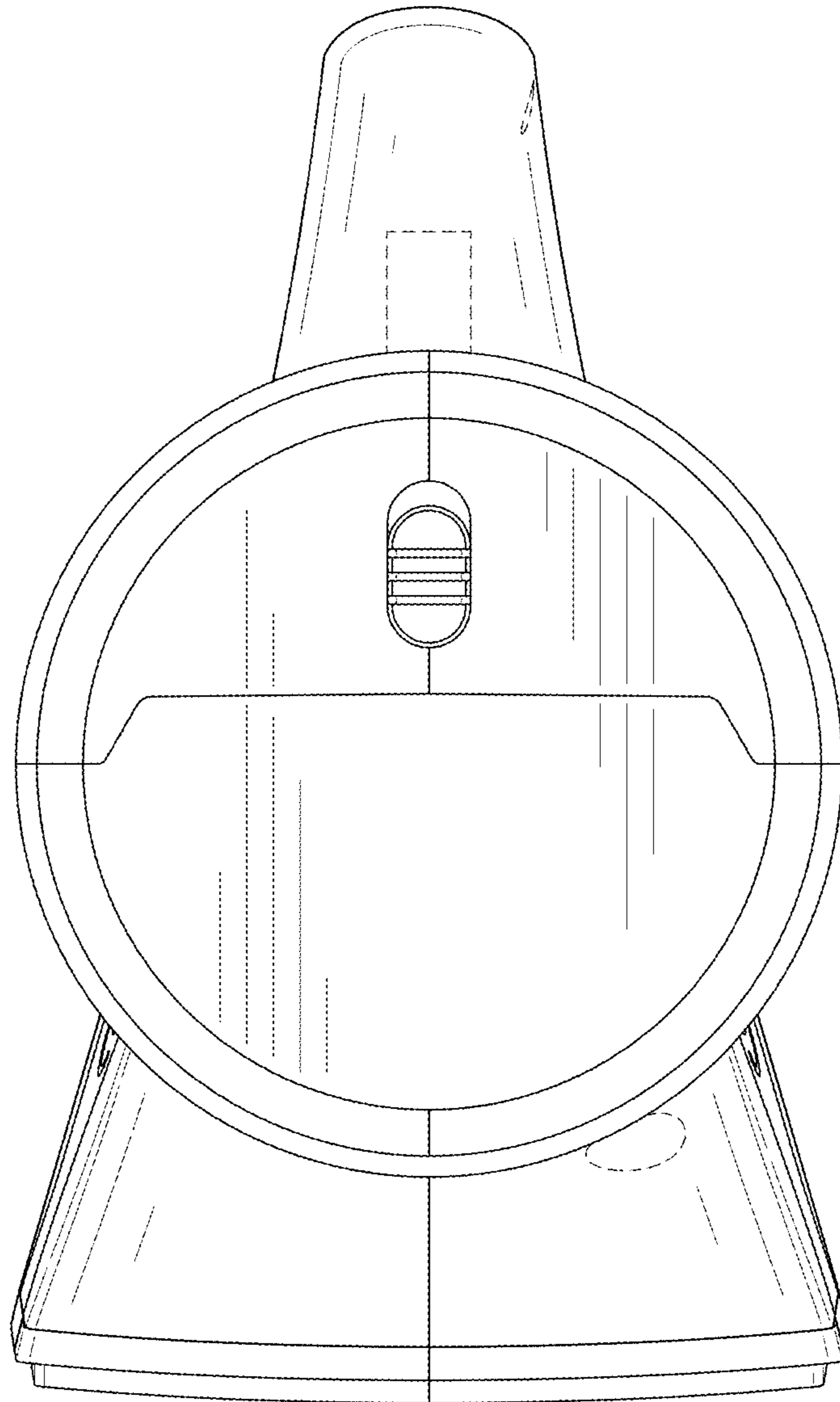


FIG. 8