



US00D917804S

(12) **United States Design Patent**
Park et al.

(10) **Patent No.:** **US D917,804 S**
(45) **Date of Patent:** **** Apr. 27, 2021**

(54) **CLOTHING CARE MACHINE**

D663,495 S * 7/2012 Song D32/8
8,215,133 B2 * 7/2012 Kim D06F 58/203
68/5 C
8,424,141 B2 * 4/2013 Yoo D06F 58/203
8/149.3

(71) Applicant: **SAMSUNG ELECTRONICS CO., LTD.**, Suwon-si (KR)

(72) Inventors: **Jinsook Park**, Suwon-si (KR); **Sodam Park**, Suwon-si (KR); **Jaejin Lee**, Suwon-si (KR); **Deoksang Yun**, Suwon-si (KR)

(73) Assignee: **SAMSUNG ELECTRONICS CO., LTD.**, Gyeonggi-Do (KR)

(**) Term: **15 Years**

(21) Appl. No.: **29/724,639**

(22) Filed: **Feb. 18, 2020**

(30) **Foreign Application Priority Data**

Sep. 16, 2019 (KR) 30-2019-0044310

(51) **LOC (13) Cl.** **15-05**

(52) **U.S. Cl.**
USPC **D32/6**

(58) **Field of Classification Search**
USPC D32/1-3, 5-6, 10, 25
CPC D06F 58/20; D06F 73/02; D06F 58/10;
D06F 58/12; D06F 58/203
See application file for complete search history.

(56) **References Cited**

U.S. PATENT DOCUMENTS

D197,085 S * 12/1963 Bequette D32/8
D532,563 S * 11/2006 Kim D32/6
D640,430 S * 6/2011 Jee D32/6
D643,165 S * 8/2011 Song D32/8
8,037,626 B2 * 10/2011 Moon D06F 58/10
38/14

(Continued)

OTHER PUBLICATIONS

MINM. [online]. pp. 1-4 [retrieved on Aug. 12, 2019]. Retrieved from the Internet: <URL: <https://minm.tistory.com/720>.>

(Continued)

Primary Examiner — Michelle E. Wilson

(74) *Attorney, Agent, or Firm* — Cantor Colburn LLP

(57) **CLAIM**

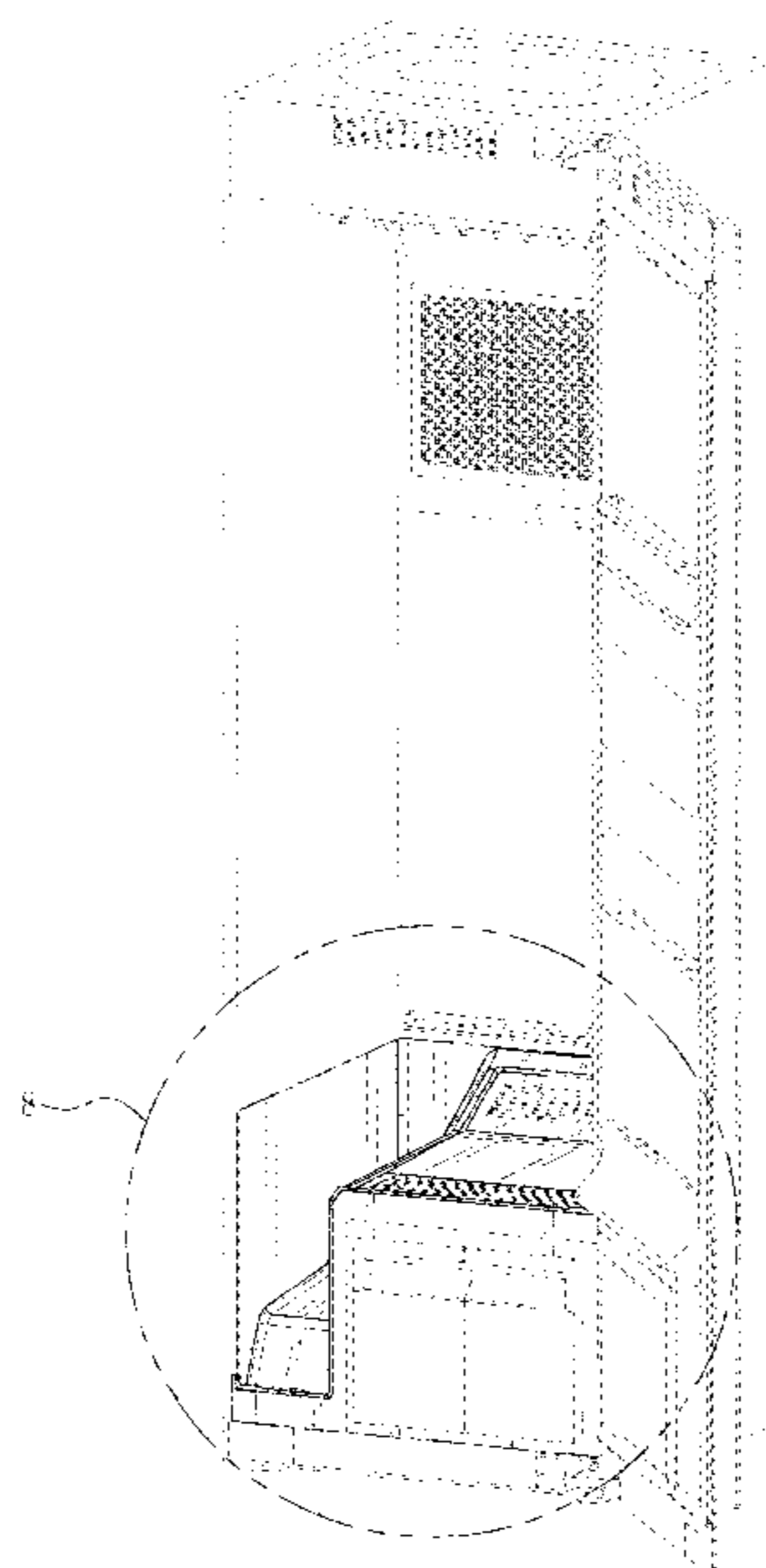
The ornamental design for a clothing care machine, as shown and described.

DESCRIPTION

FIG. 1 is a front perspective view of a clothing care machine, showing our new design;
FIG. 2 is a front view thereof;
FIG. 3 is a rear view thereof;
FIG. 4 is a left-side view thereof;
FIG. 5 is a right-side view thereof;
FIG. 6 is a top view thereof;
FIG. 7 is a bottom view thereof;
FIG. 8 is an enlarged view of the portion, '8' in FIG. 1;
FIG. 9 is an enlarged view of the portion, '9' in FIG. 2; and,
FIG. 10 is a cross-sectional view taken along line 10-10 of FIG. 2.

The dot-dot-dash broken lines encircling enlargement portions of the design form no part of the claimed design. The dot-dash broken lines in the figures represent a boundary of the claimed design and form no part of the claimed design. There remaining broken lines illustrating portions of the clothing care machine and environmental structure form no part of the claimed design.

1 Claim, 10 Drawing Sheets



(56)

References Cited

U.S. PATENT DOCUMENTS

8,484,868 B2 * 7/2013 Kim D06F 58/12
38/14
8,505,340 B2 * 8/2013 Kim D06F 58/10
68/5 C
D732,769 S * 6/2015 Chung D32/25
D732,770 S * 6/2015 Choi D32/25
D732,771 S * 6/2015 Chung D32/25
D732,772 S * 6/2015 Chung D32/25
D732,773 S * 6/2015 Chung D32/25
D732,774 S * 6/2015 Chung D32/25
D732,775 S * 6/2015 Chung D32/25
D743,127 S * 11/2015 Chung D32/25
D743,128 S * 11/2015 Chung D32/25
D743,129 S * 11/2015 Chung D32/25
D743,130 S * 11/2015 Choi D32/25
D743,652 S * 11/2015 Chung D32/25
D743,653 S * 11/2015 Chung D32/25
D743,654 S * 11/2015 Chung D32/25
D824,124 S * 7/2018 Lee D32/6

D827,236 S * 8/2018 Chung D32/25
D828,656 S * 9/2018 Chung D32/6
D836,271 S * 12/2018 Chung D32/6
D839,515 S * 1/2019 Chung D32/25
D897,058 S * 9/2020 Kim D32/6
2001/0037590 A1 * 11/2001 MacGregor D06F 73/02
38/3
2008/0136295 A1 * 6/2008 Aizpuru Borda D06F 58/10
312/31
2010/0058813 A1 * 3/2010 Moon D06F 73/02
68/6
2012/0240425 A1 * 9/2012 Park D06F 58/20
34/202

OTHER PUBLICATIONS

Samsung. [online]. pp. 1-12 [retrieved on Feb. 18, 2020]. Retrieved from the Internet: <URL: https://www.samsung.com/sedevent/2019_large_airsdresser/>.

* cited by examiner

FIG. 1

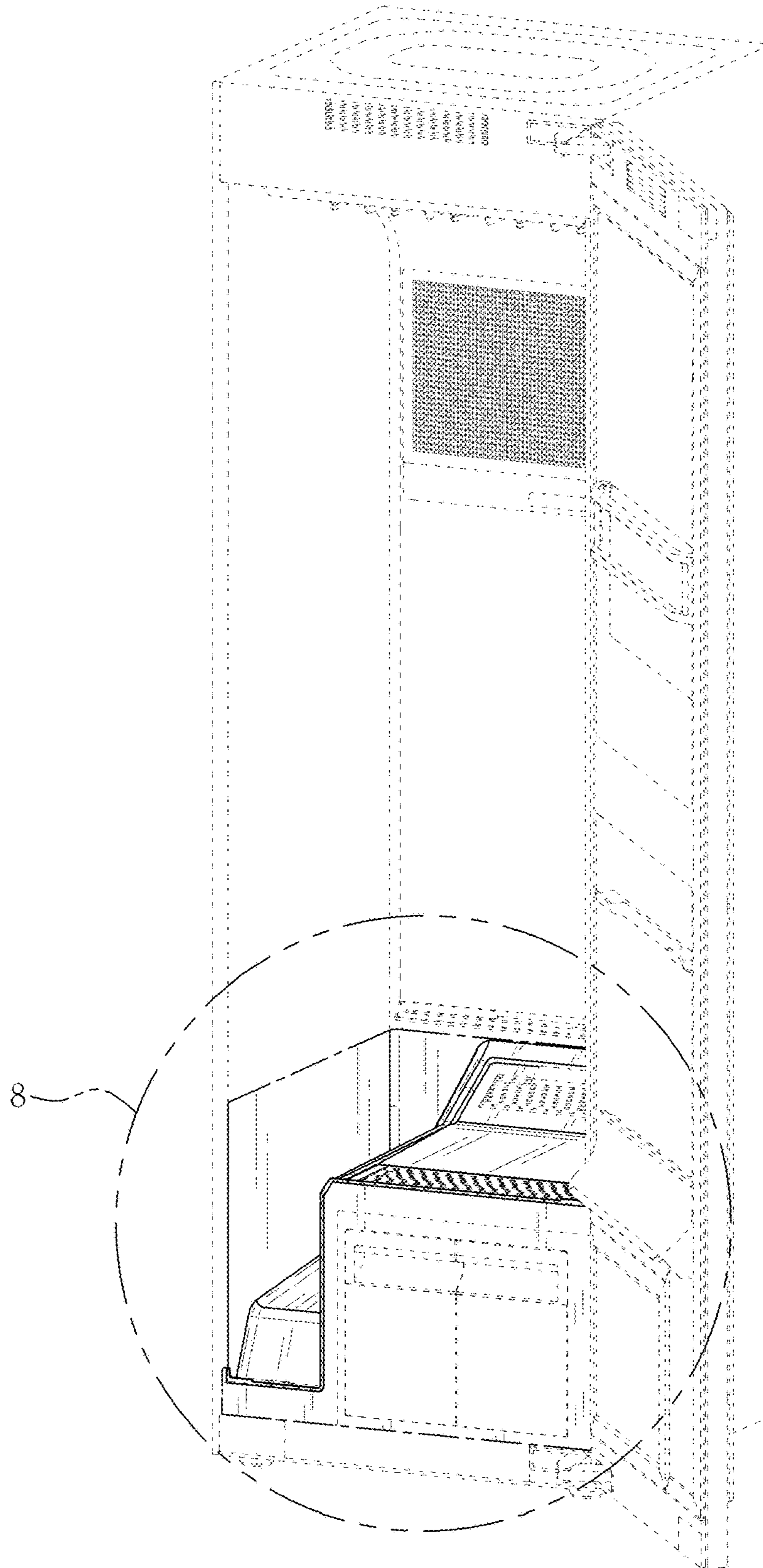


FIG. 2

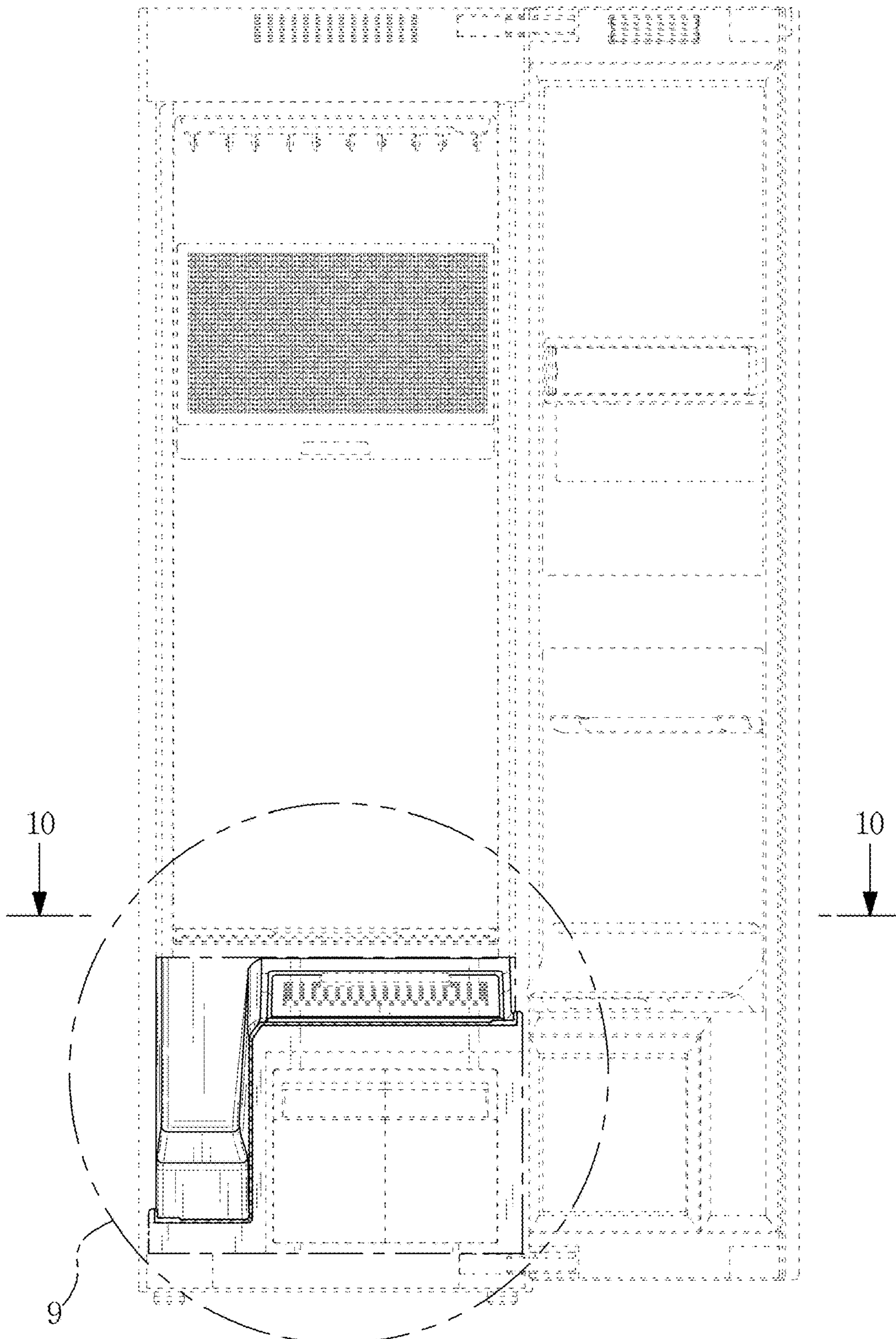


FIG. 3

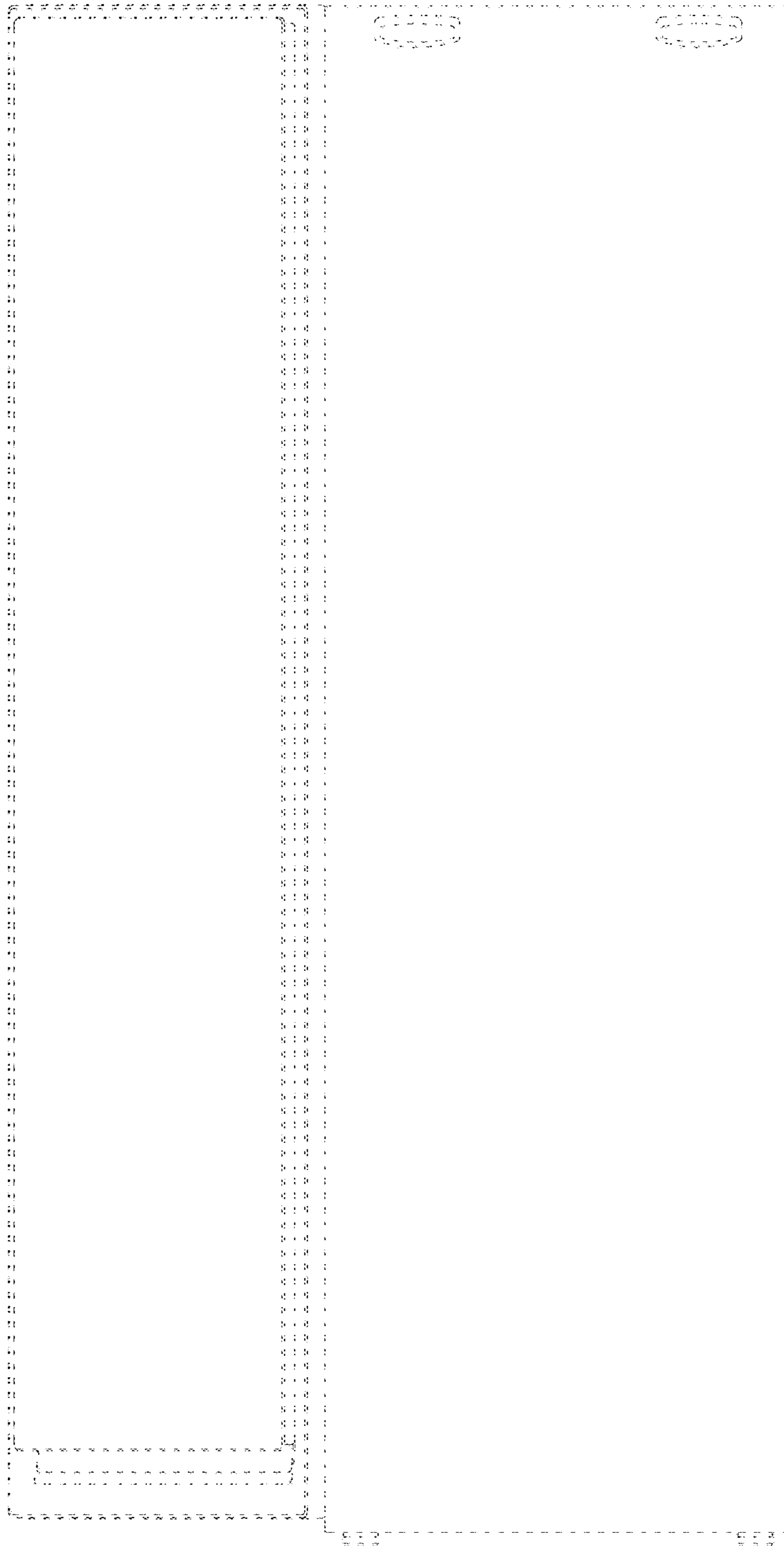


FIG. 4

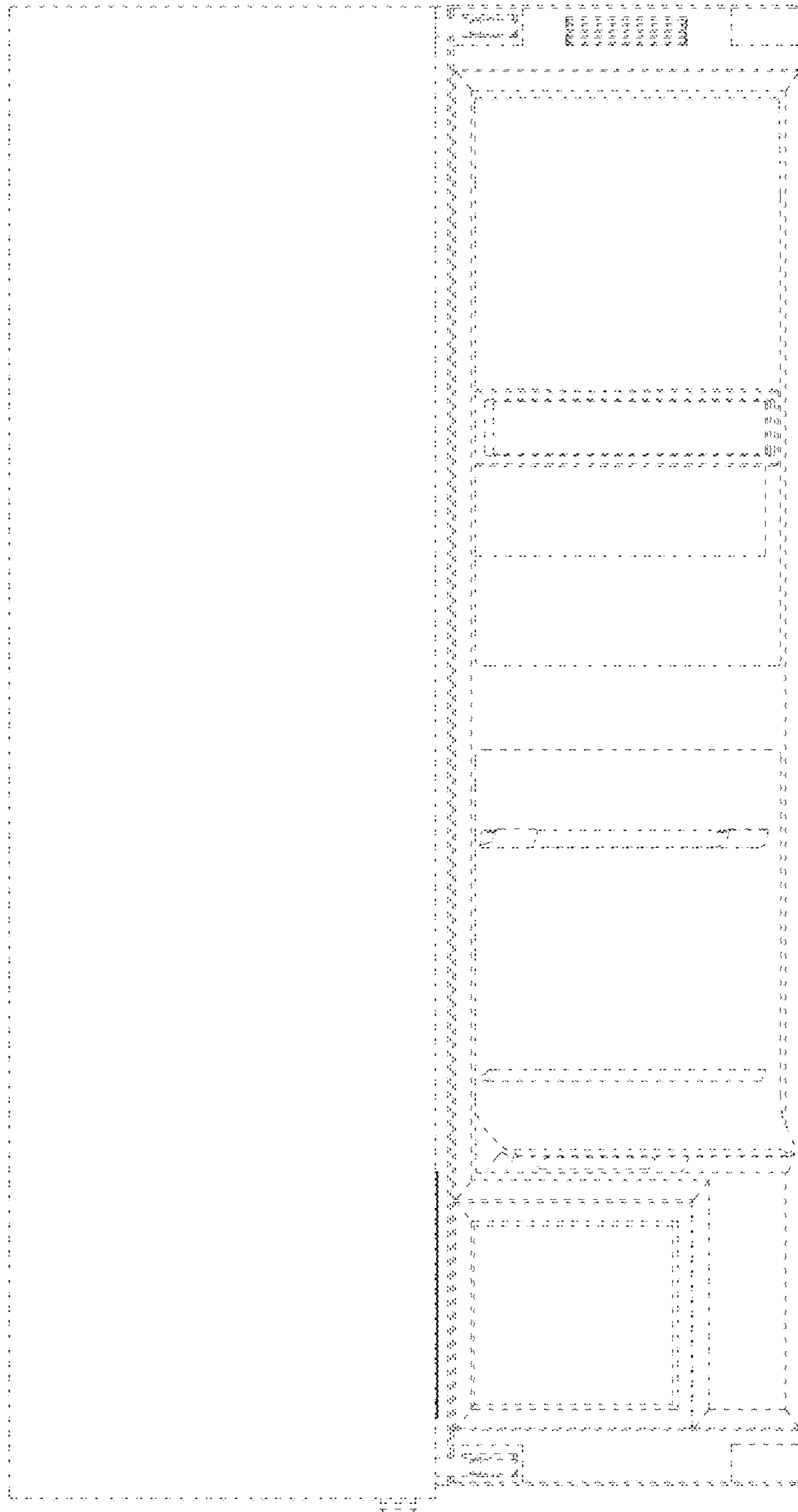


FIG. 5

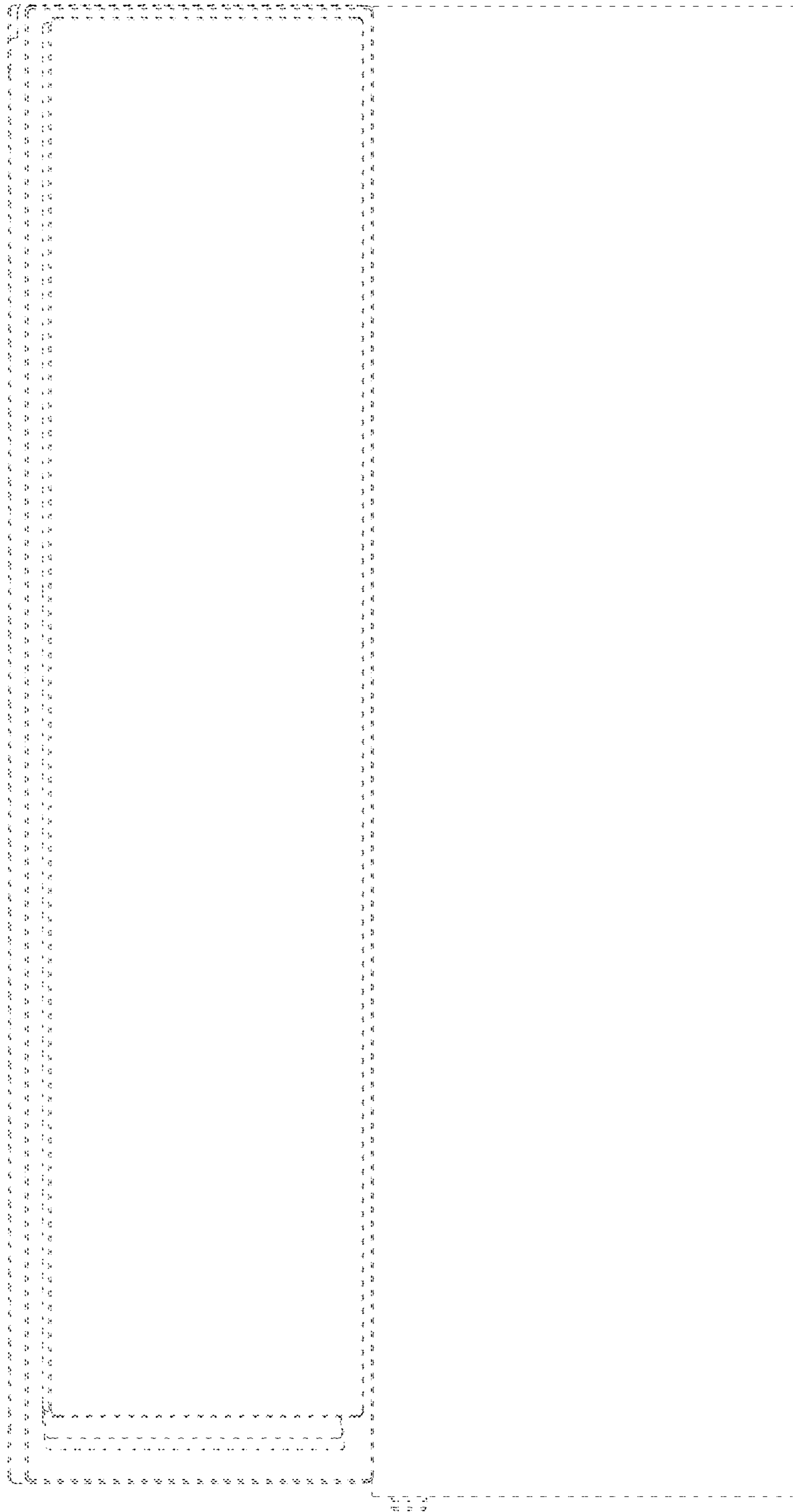


FIG. 6

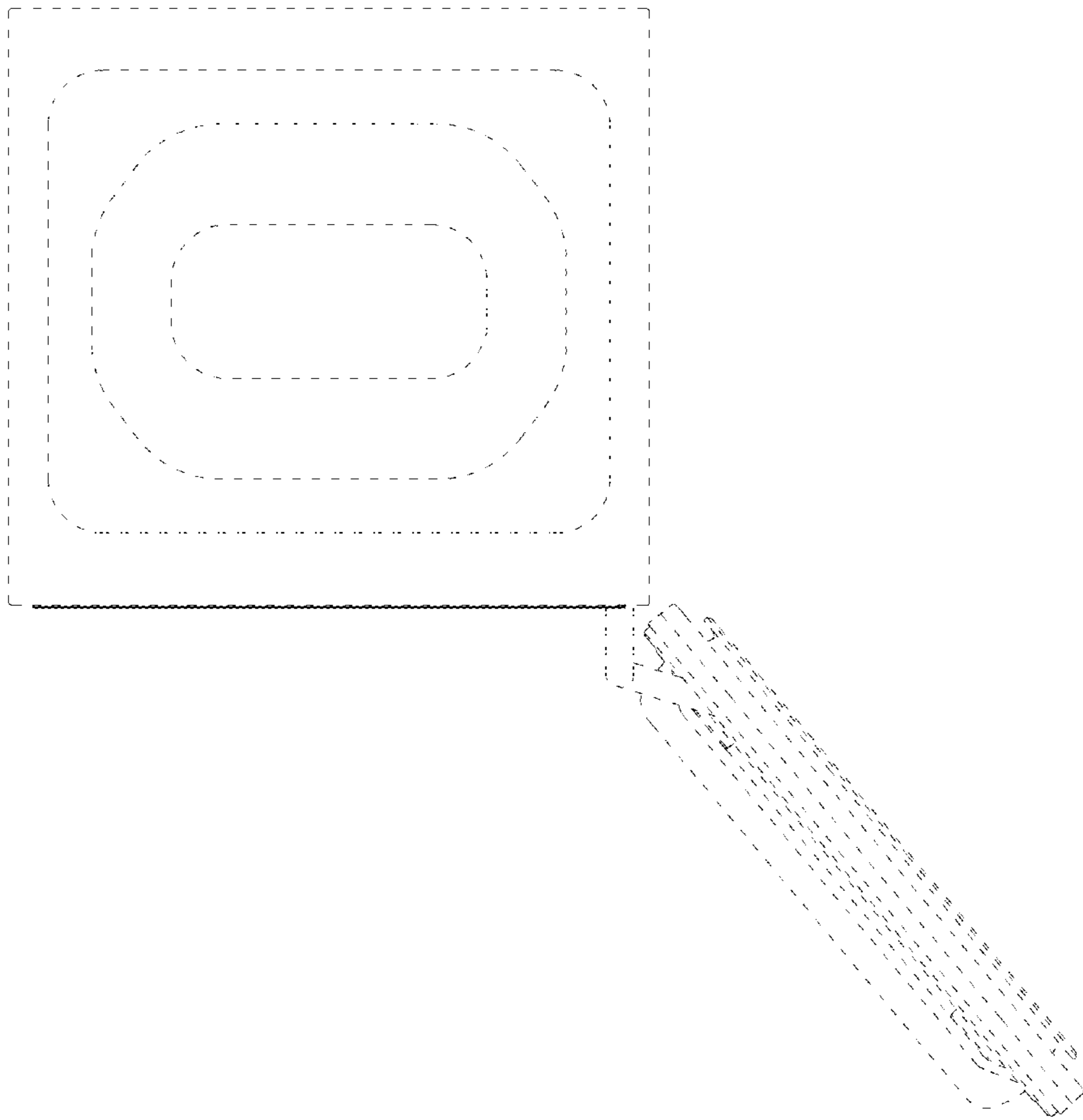


FIG. 7

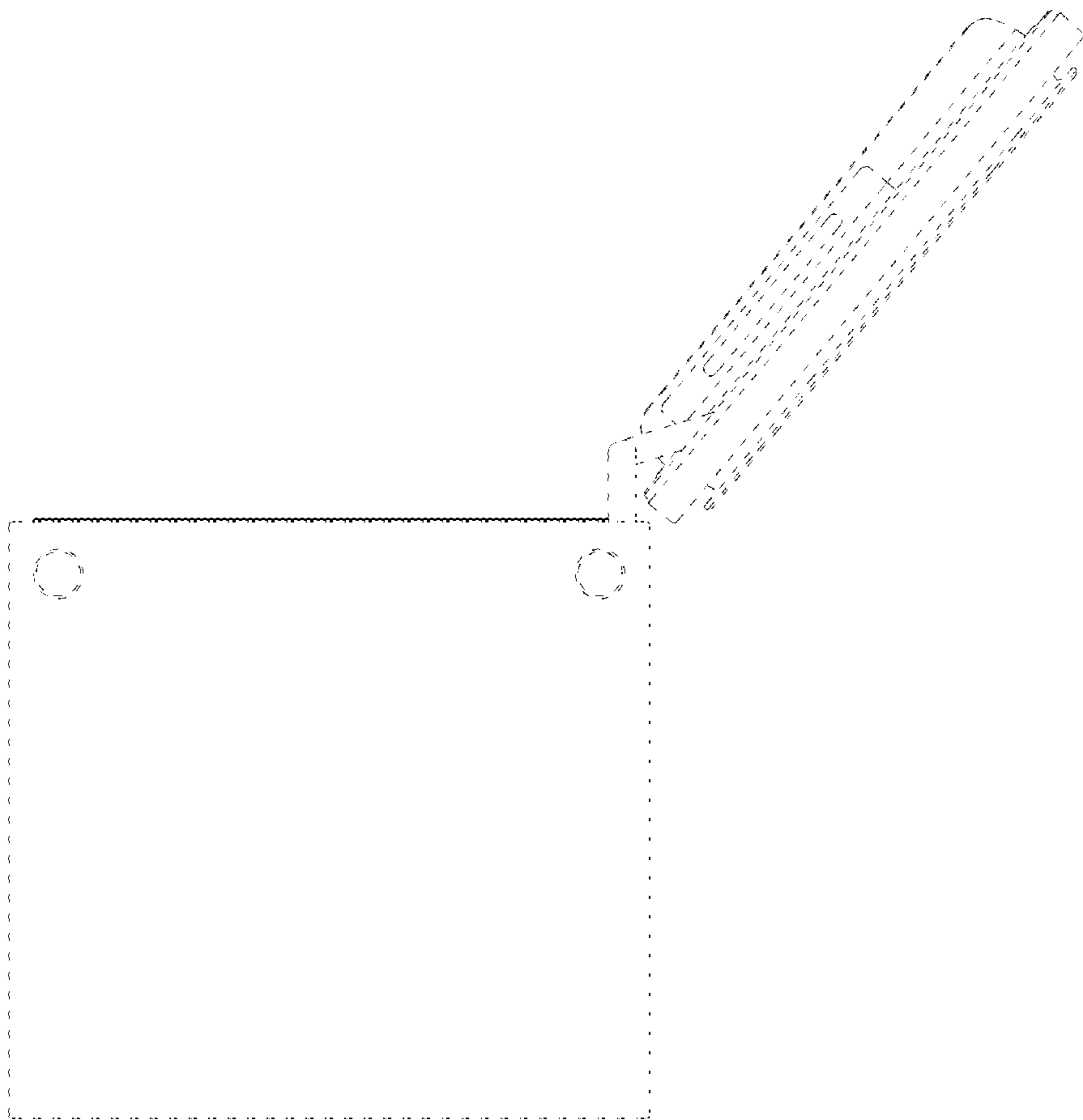


FIG. 8

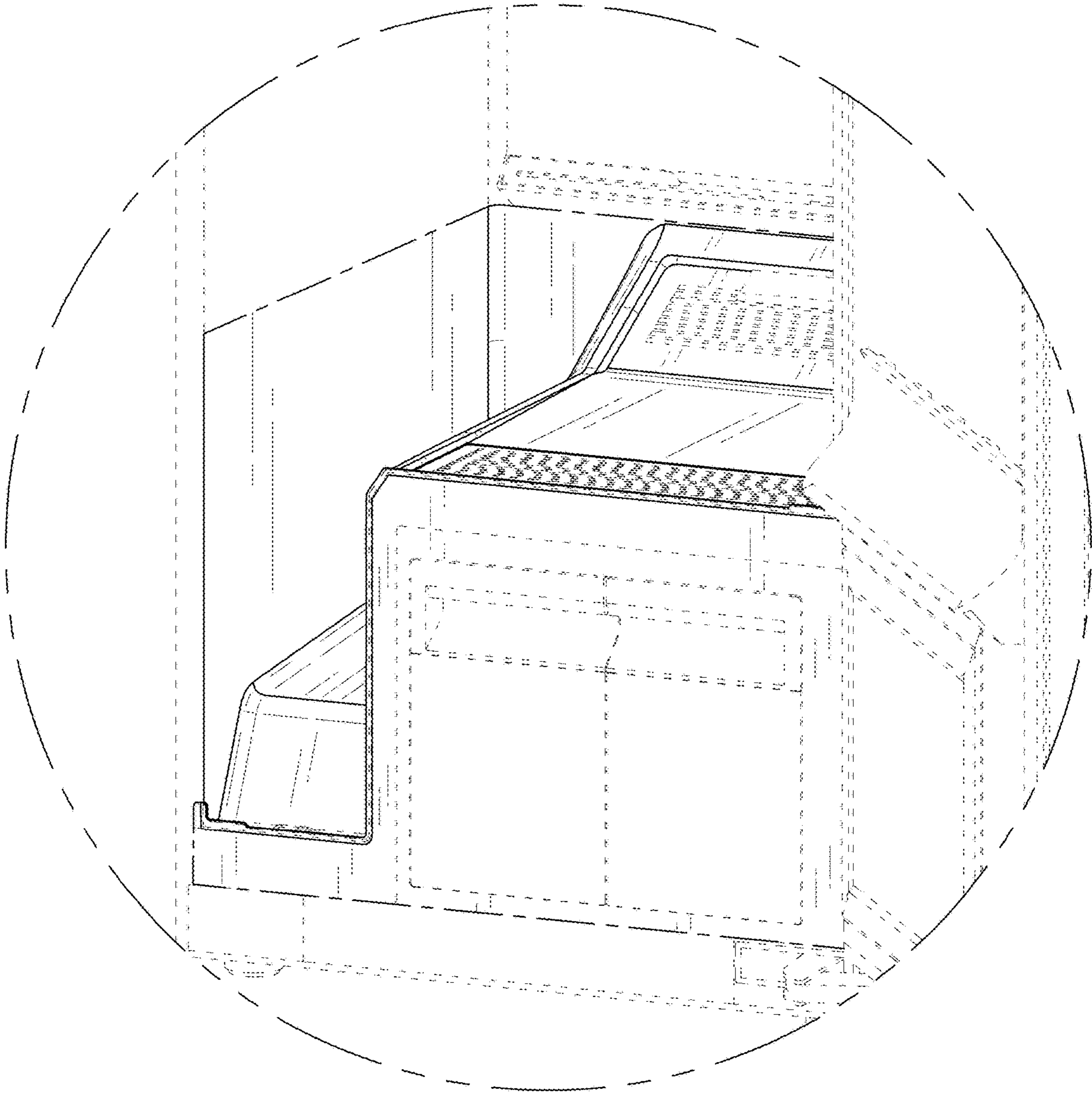


FIG. 9

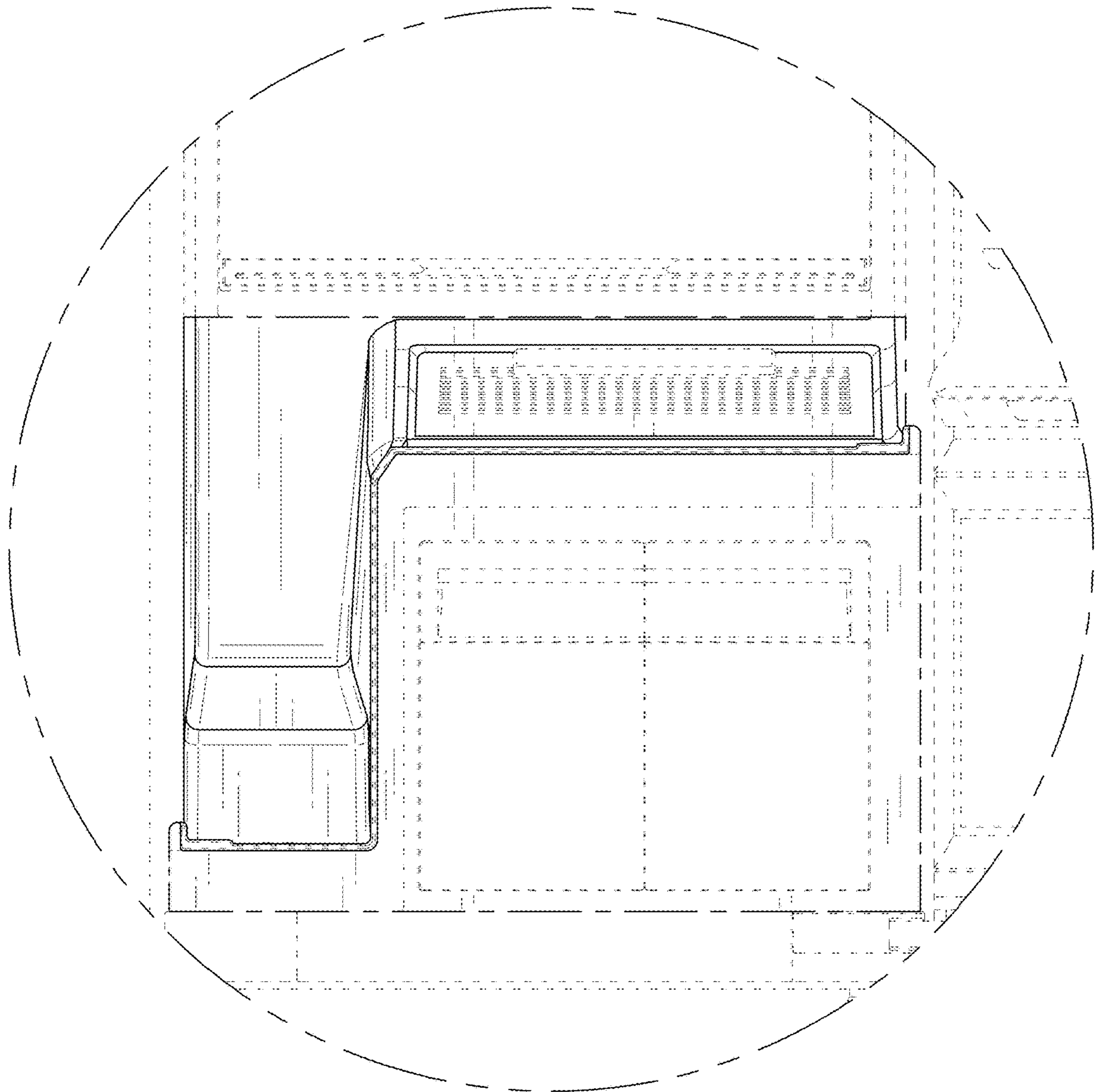


FIG. 10

