



US00D917800S

(12) **United States Design Patent** (10) **Patent No.:** **US D917,800 S**  
**Yi** (45) **Date of Patent:** **\*\* \*Apr. 27, 2021**

- (54) **PET TOY**
- (71) Applicant: **SHENZHEN LESHUO TECHNOLOGY CO., LTD.**, Shenzhen (CN)
- (72) Inventor: **Zhou Yi**, Shenzhen (CN)
- (73) Assignee: **SHENZHEN LESHUO TECHNOLOGY CO., LTD.**, Shenzhen (CN)
- (\*) Notice: This patent is subject to a terminal disclaimer.
- (\*\*) Term: **15 Years**
- (21) Appl. No.: **29/709,342**
- (22) Filed: **Oct. 14, 2019**
- (51) **LOC (13) Cl.** ..... **30-99**
- (52) **U.S. Cl.**  
USPC ..... **D30/160**
- (58) **Field of Classification Search**  
USPC ..... D30/160; D21/355-356, 366, 398, 662, D21/680-682, 701, 707-708, 712-713; D11/7, 14, 42, 49; 482/93; 119/707-711, 801  
CPC ..... A63B 43/00; A01K 15/02; A01K 29/00; A63F 7/00; A63F 7/0608  
See application file for complete search history.

- (56) **References Cited**  
**U.S. PATENT DOCUMENTS**  
D95,034 S \* 4/1935 Freerick ..... D21/713  
D340,489 S \* 10/1993 Evangelista ..... D21/713  
D379,389 S \* 5/1997 Shih ..... D21/713  
D495,387 S \* 8/2004 Shih ..... D21/713  
D505,464 S \* 5/2005 Shih ..... D21/713  
D515,155 S \* 2/2006 Nishihara ..... D21/713  
D516,642 S \* 3/2006 Swiszczy ..... D21/713

- D516,645 S \* 3/2006 Chung ..... D21/713
- D516,646 S \* 3/2006 Yang ..... D21/713
- D519,175 S \* 4/2006 Nishihara ..... D21/713
- D522,596 S \* 6/2006 Laliberty ..... D21/713
- D531,240 S \* 10/2006 Geisendorfer ..... D21/713
- D537,491 S \* 2/2007 Pierce ..... D21/707
- D540,496 S \* 4/2007 Axelrod ..... D30/160
- D556,275 S \* 11/2007 Crane ..... D21/707
- 7,998,005 B2 \* 8/2011 Geisendorfer ..... A63B 41/08  
473/569
- D645,101 S \* 9/2011 Krysiak ..... D21/713
- D648,406 S \* 11/2011 Hochberg ..... D21/713
- D663,793 S \* 7/2012 Guarrasi ..... D21/662
- D680,698 S \* 4/2013 McWilliams ..... D30/121

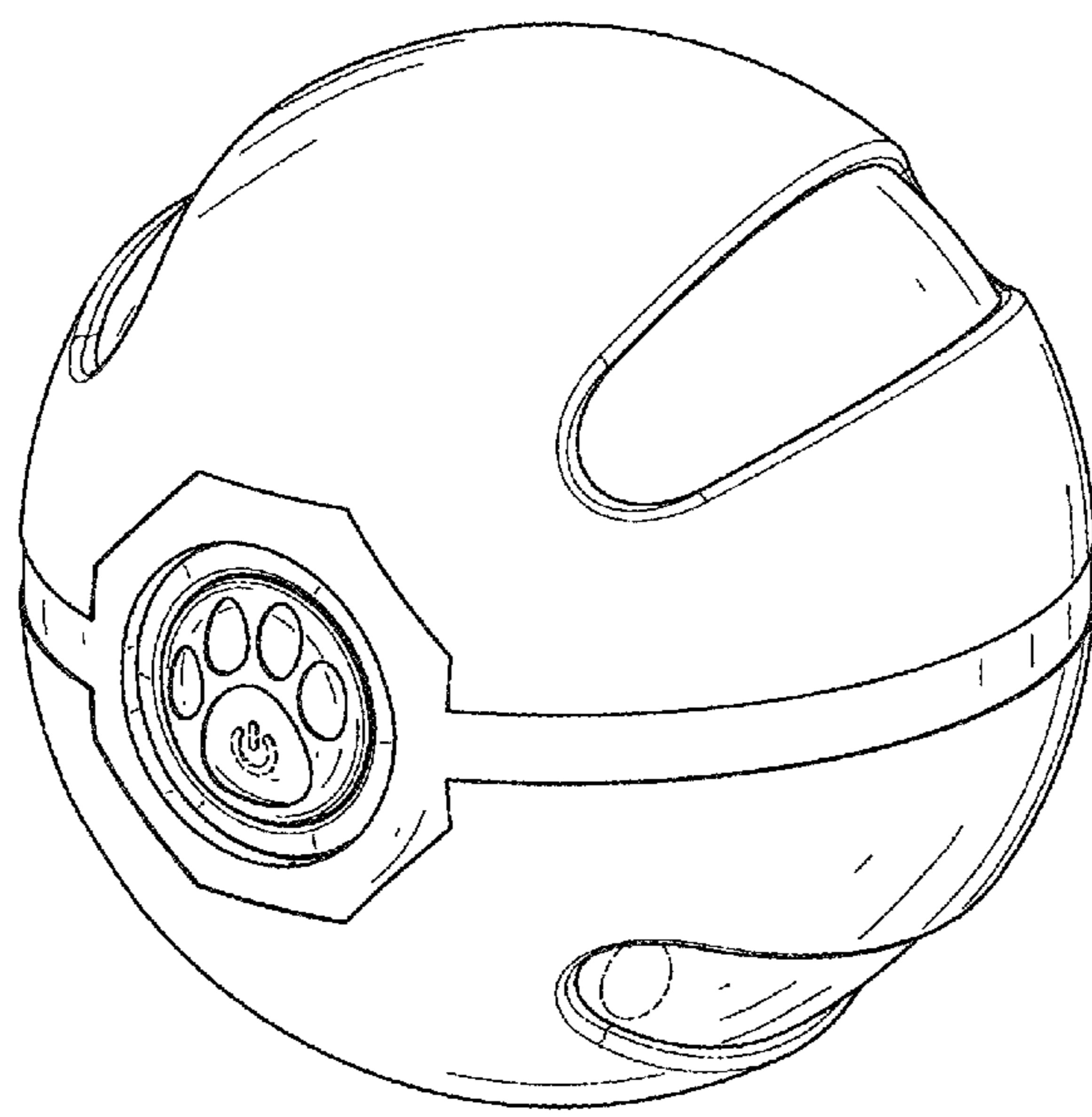
(Continued)

*Primary Examiner* — Kevin K Rudzinski  
*Assistant Examiner* — Mehri Bajoul  
(74) *Attorney, Agent, or Firm* — Law Offices of Steven W. Weinrieb

(57) **CLAIM**  
The ornamental design for a pet toy, as shown and described.

**DESCRIPTION**  
FIG. 1 is a front, right side, top perspective view of a pet toy showing my new design;  
FIG. 2 is a rear, left side, bottom perspective view thereof;  
FIG. 3 is a front elevational view;  
FIG. 4 is a rear elevational view thereof;  
FIG. 5 is a left side elevational view thereof;  
FIG. 6 is a right side elevational view thereof;  
FIG. 7 is a top plan view thereof;  
FIG. 8 is a bottom plan view thereof; and,  
FIG. 9 is a front, right side, top perspective view of the pet toy with a tie attached thereto.  
The broken lines immediately adjacent to the claimed portions are boundaries, all other broken lines are environmental structures; all the broken lines form no part of the claimed design.

**1 Claim, 9 Drawing Sheets**



(56)

**References Cited**

U.S. PATENT DOCUMENTS

8,464,664	B1 *	6/2013	Scheffler .....	A01K 15/025 119/707
D717,521	S *	11/2014	Slusarczyk .....	D1/130
D793,499	S *	8/2017	Ormsbee .....	D21/707
D817,562	S *	5/2018	Markham .....	D30/160
D822,295	S *	7/2018	Woods .....	D30/160
D823,951	S *	7/2018	Marton .....	D21/662
D831,750	S *	10/2018	Fontaine .....	D21/398
D848,559	S *	5/2019	Zawitz .....	D21/713
D849,269	S *	5/2019	Yi .....	D25/48.3
10,285,380	B1 *	5/2019	Mullin .....	A01K 15/026
10,294,017	B2 *	5/2019	Farid .....	B65D 77/0413
D854,258	S *	7/2019	Woods .....	D30/160
D856,259	S *	8/2019	Li .....	D12/328
D867,489	S *	11/2019	Brezovar .....	D21/680

\* cited by examiner

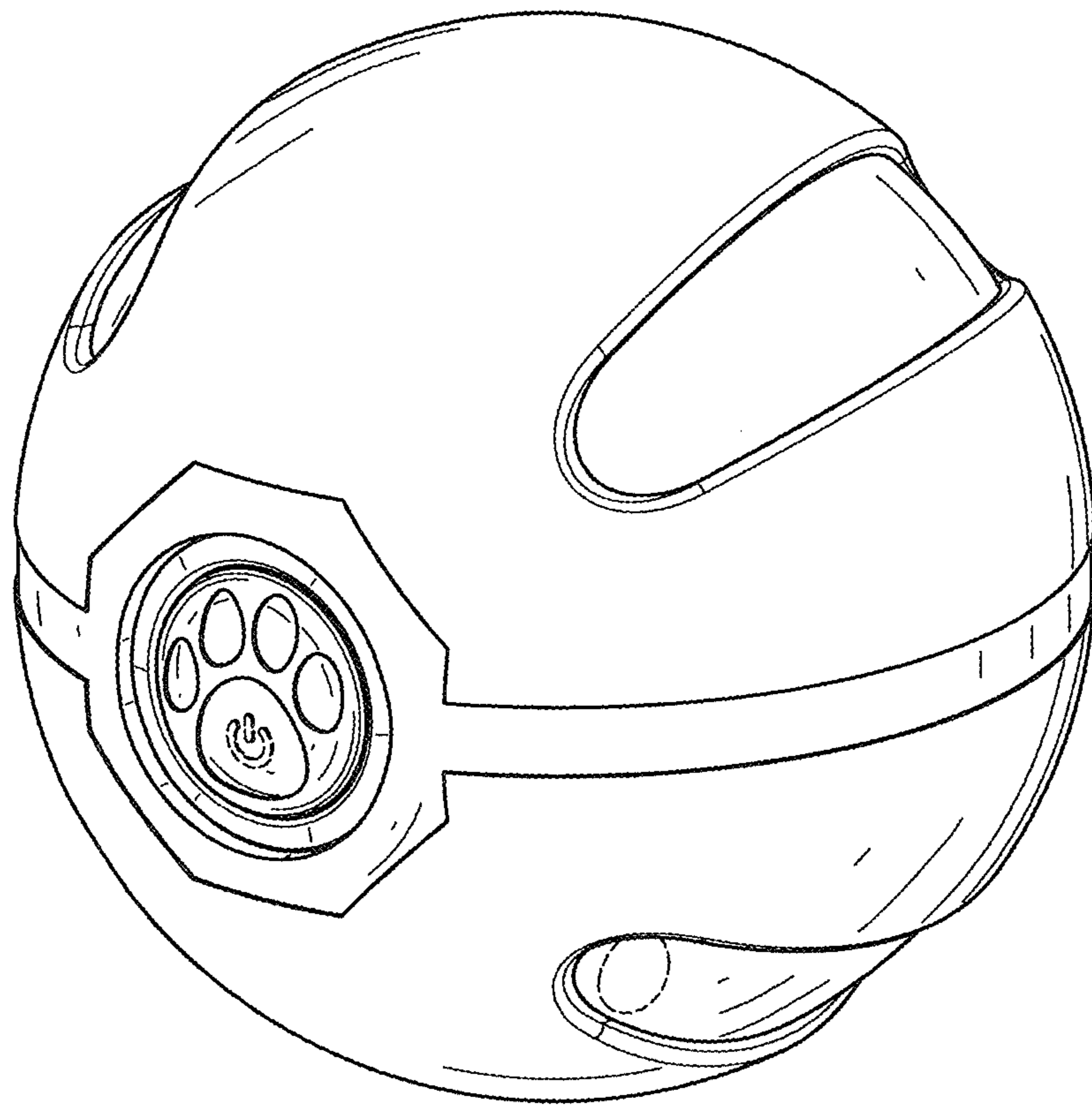


FIG.1

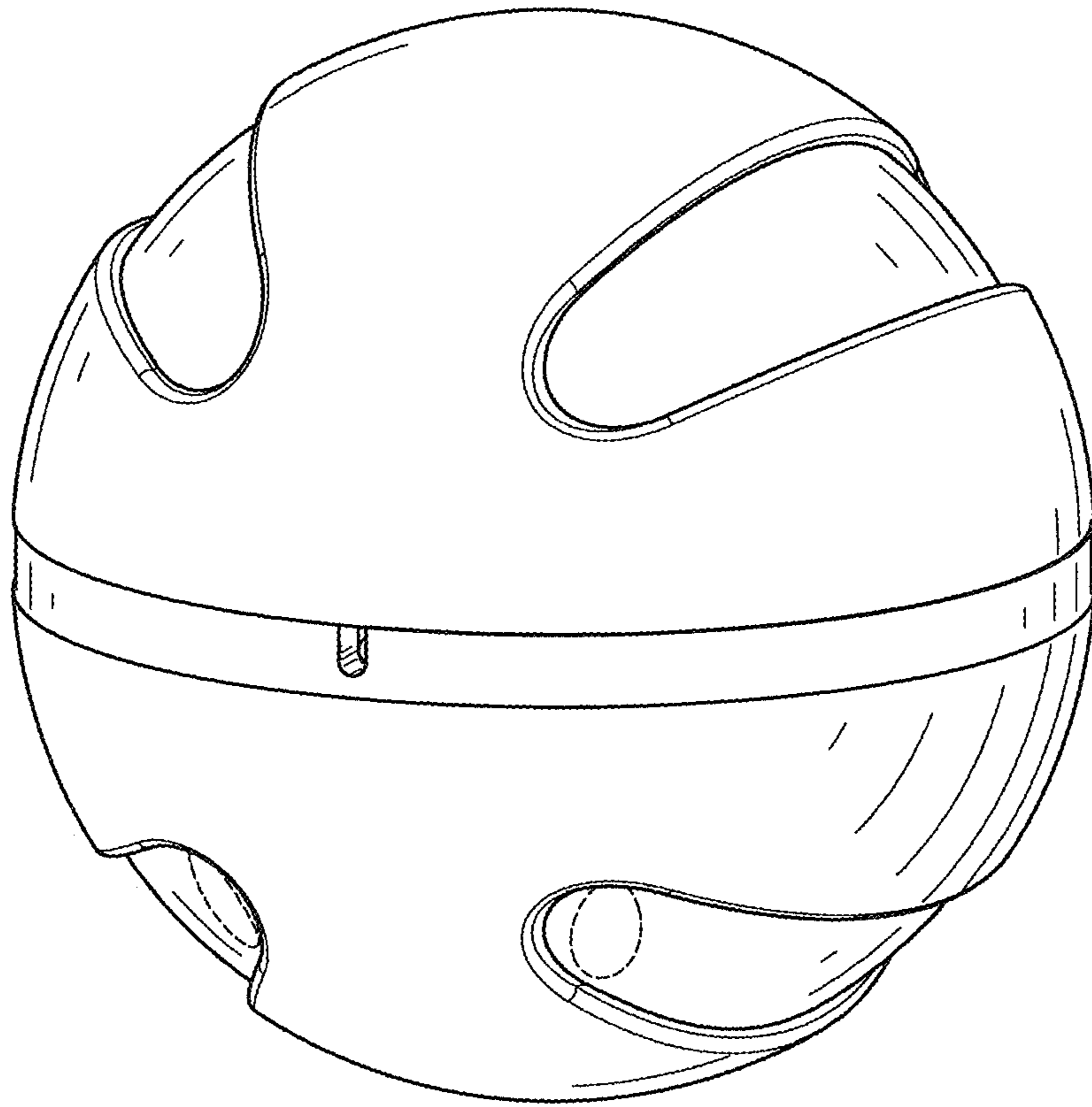


FIG.2

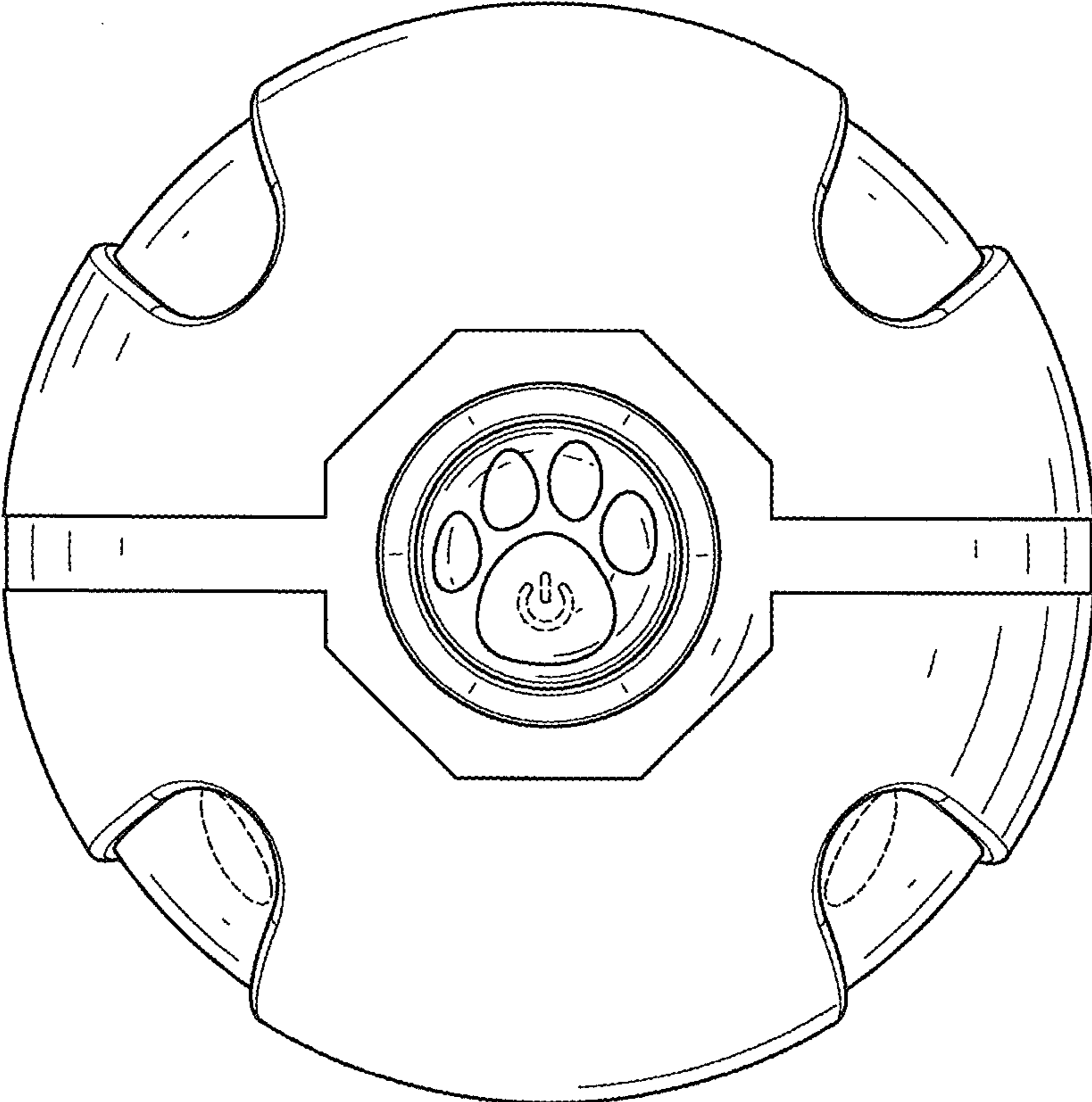


FIG.3

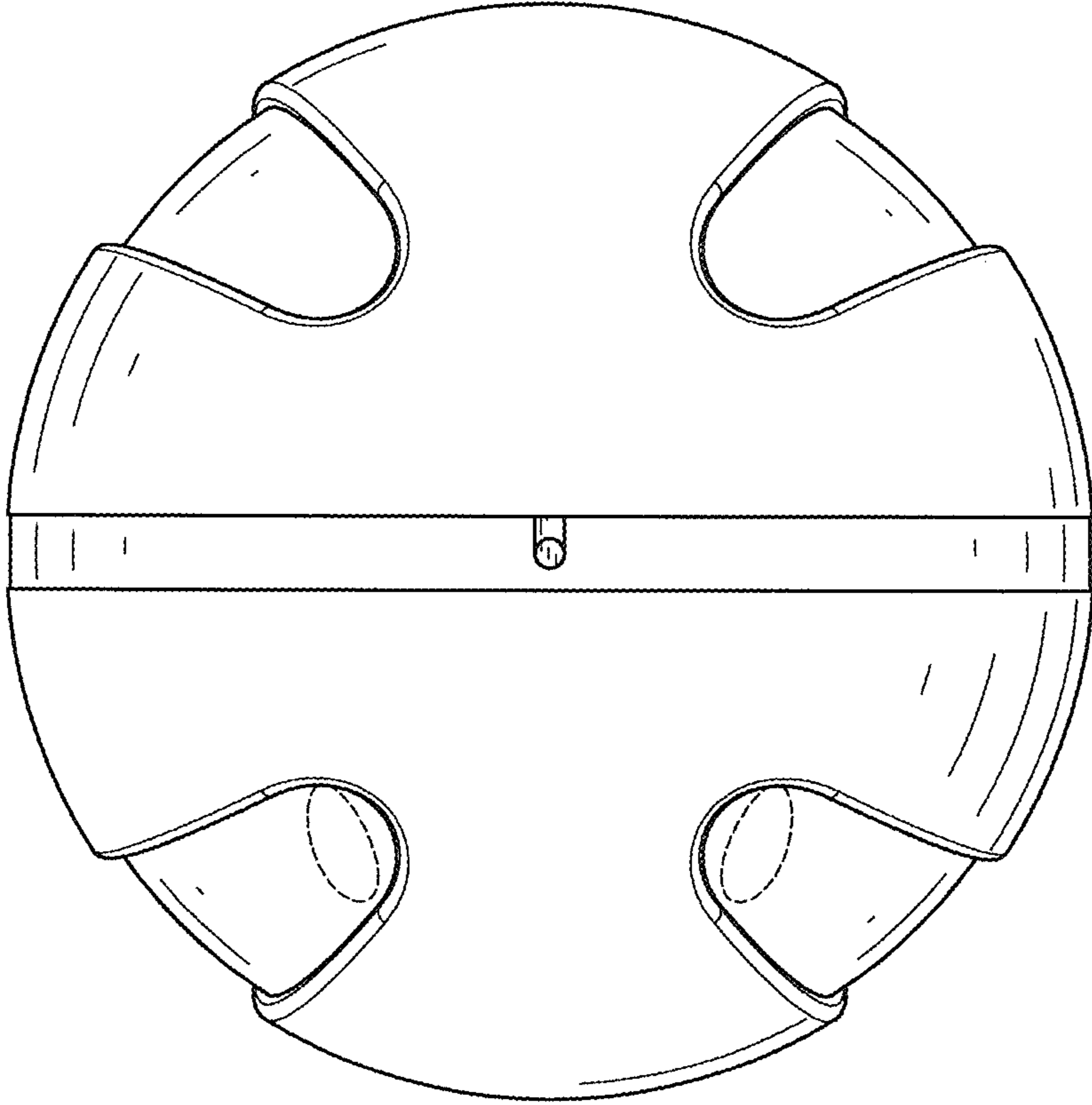


FIG.4

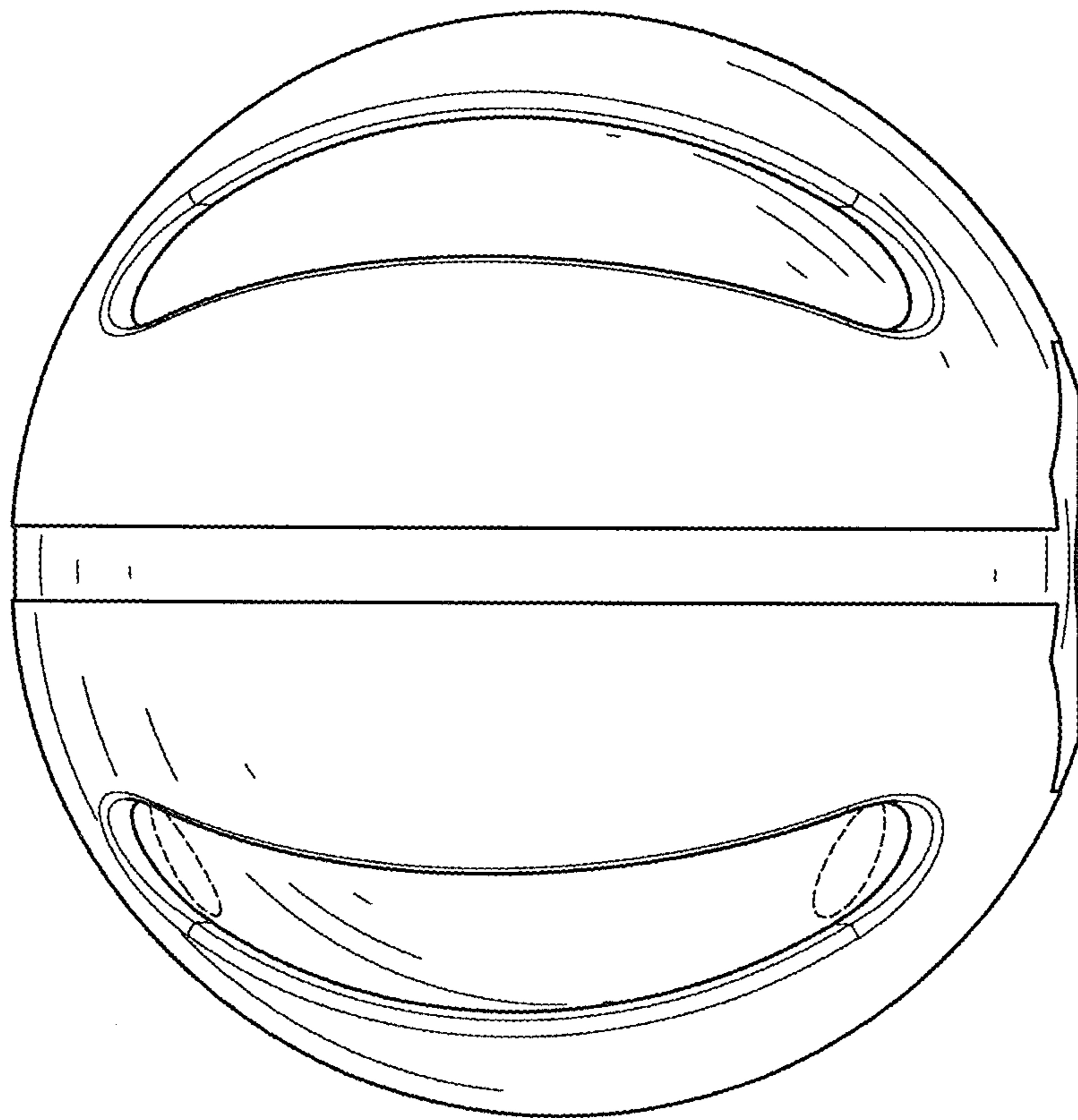


FIG.5

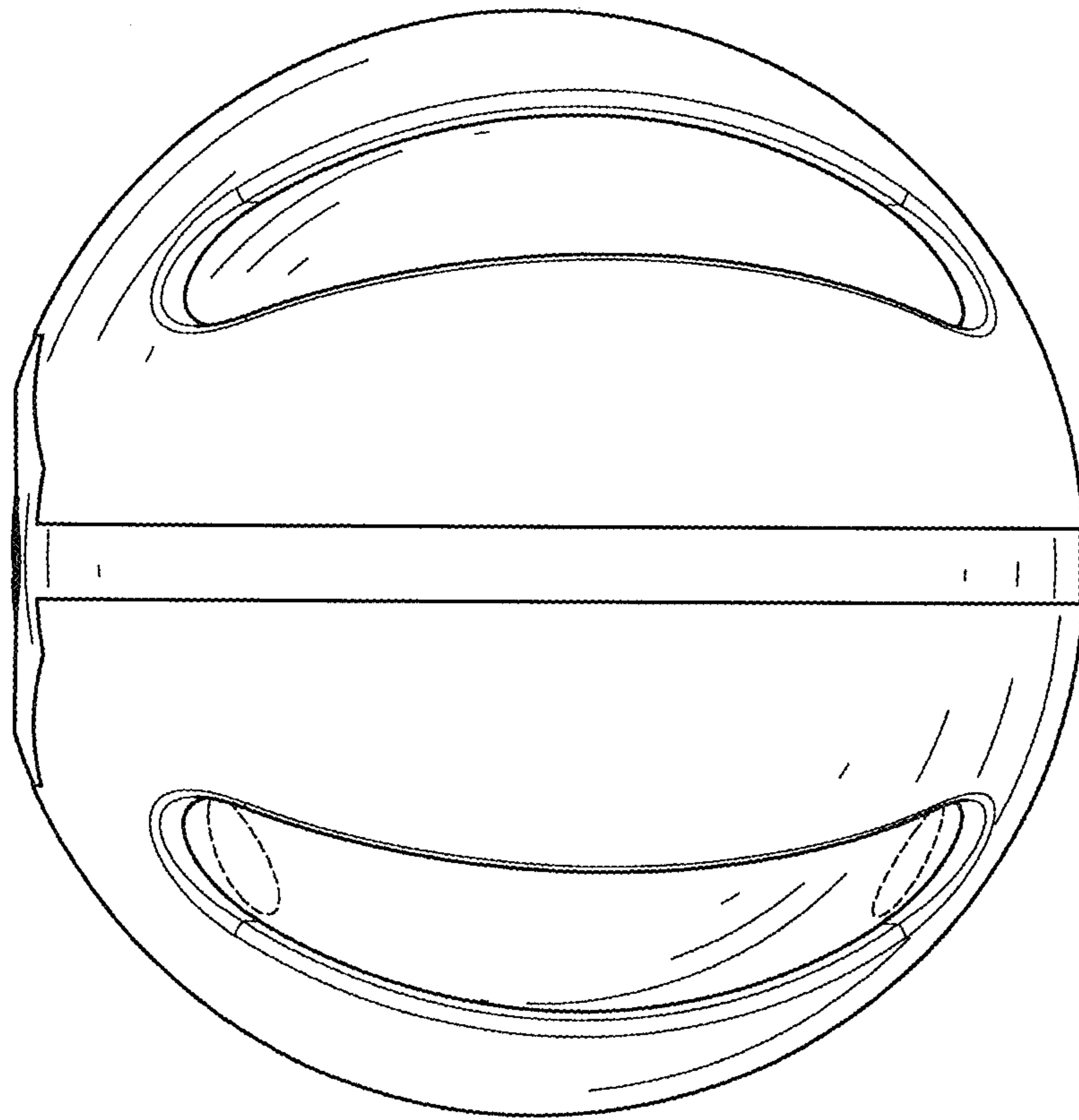


FIG.6



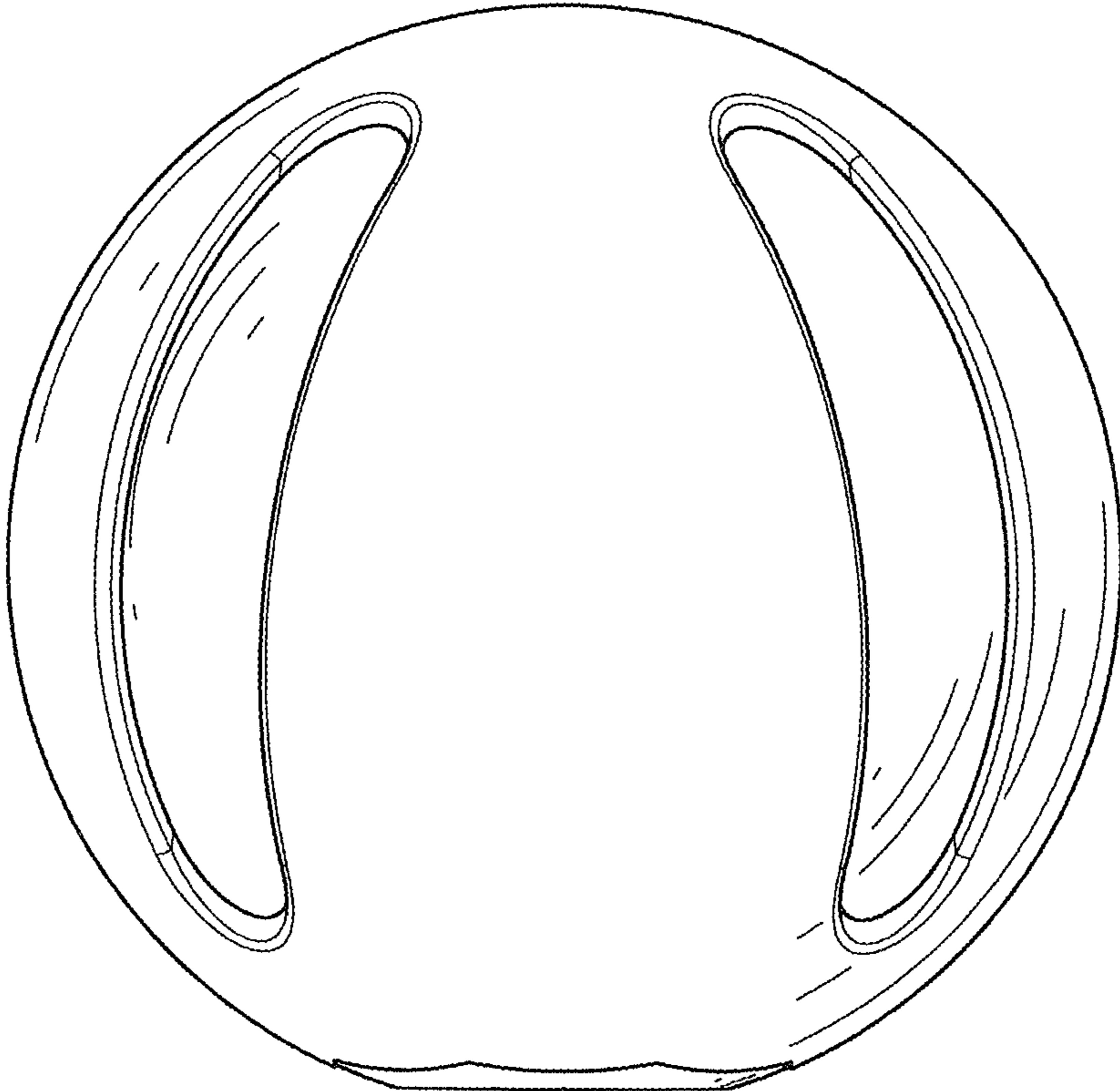


FIG.7

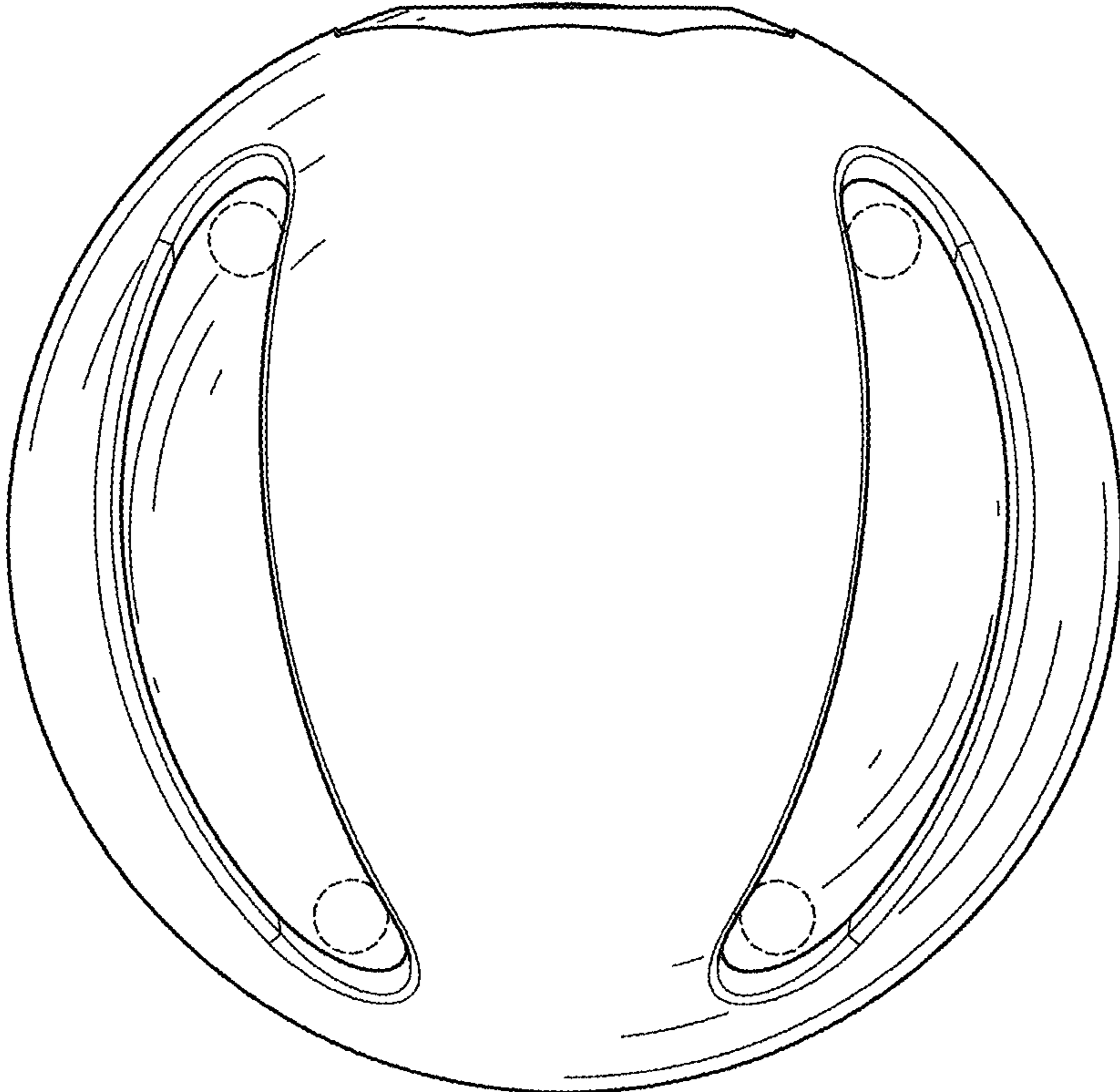


FIG.8

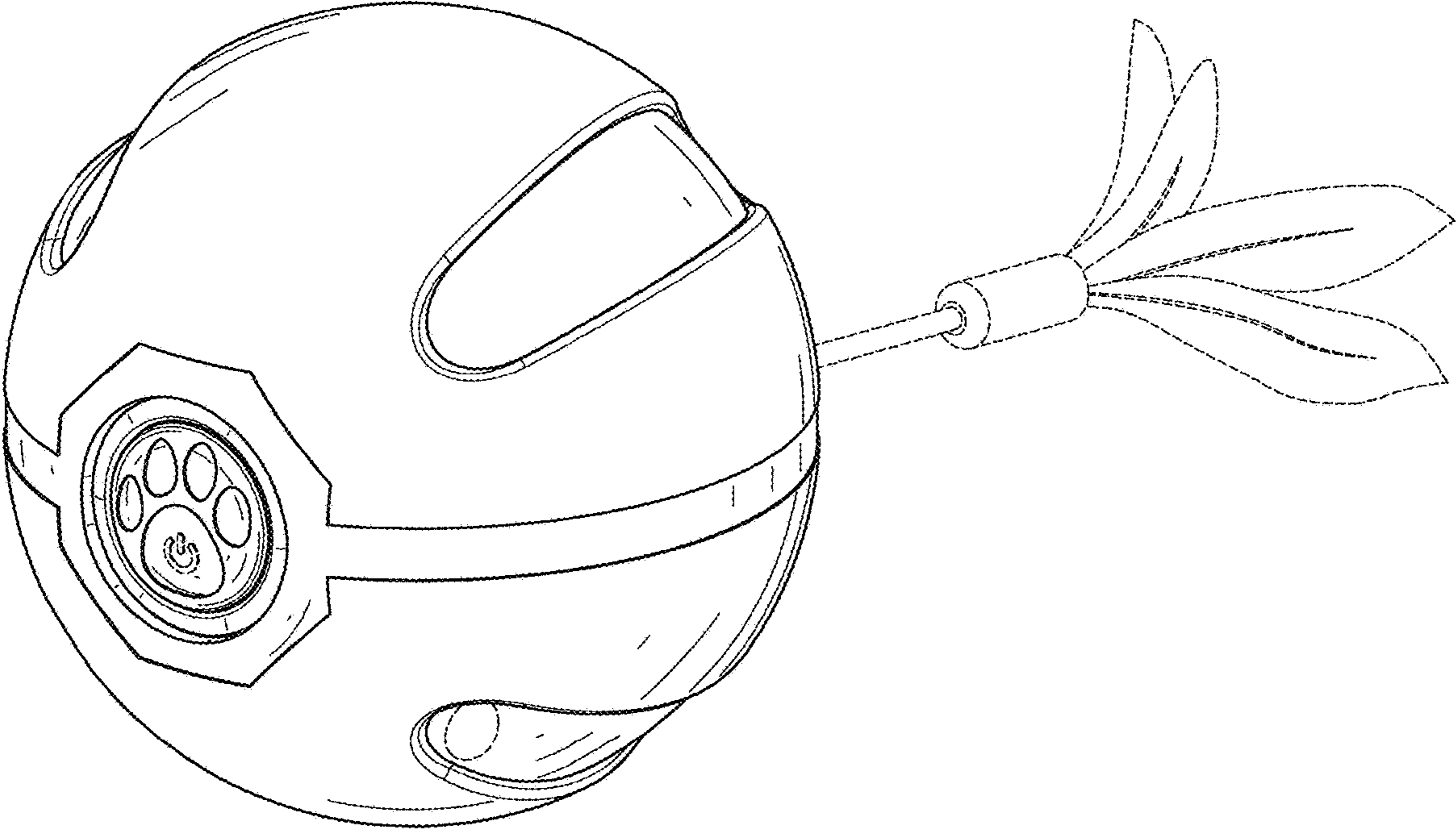


FIG.9