



US00D917795S

(12) **United States Design Patent** (10) **Patent No.:** **US D917,795 S**
Pan (45) **Date of Patent:** **** Apr. 27, 2021**

(54) **PET FOOD MAT**

D743,185 S * 11/2015 Elliott D6/582
D882,880 S * 4/2020 Levin D30/121
D894,501 S * 8/2020 Roost D30/133

(71) Applicant: **Min Pan**, Hangzhou (CN)

(72) Inventor: **Min Pan**, Hangzhou (CN)

(**) Term: **15 Years**

(21) Appl. No.: **29/712,720**

(22) Filed: **Nov. 11, 2019**

(51) **LOC (13) Cl.** **30-03**

(52) **U.S. Cl.**
USPC **D30/133**

(58) **Field of Classification Search**
USPC D30/121, 122, 130-133, 199; 119/51.01,
119/51.5, 61.5, 61.52, 61.53, 61.54,
119/61.55, 72, 73
CPC . A01K 5/00; A01K 7/00; A01K 39/02; A01K
39/04; A01K 39/0213
See application file for complete search history.

(56) **References Cited**

U.S. PATENT DOCUMENTS

D259,417 S * 6/1981 Bell D12/203
D302,263 S * 7/1989 Charet D12/203
D487,823 S * 3/2004 Wang D30/118
7,207,290 B2 * 4/2007 Nichols A01K 5/0114
108/116
D725,836 S * 3/2015 Avalos Sartorio D30/129
D727,576 S * 4/2015 Avalos Sartorio D30/129

OTHER PUBLICATIONS

“Vivaglory Silicone Dog Food Mat” available Oct. 18, 2019, [online], [site visited Oct. 19, 2020]. Retrieved from Internet, URL:https://www.amazon.com/Vivaglory-Silicone-Waterproof-Feeding-Placemat/dp/B07W6F9JBM/ref=cm_cr_arp_d_product_top?ie=UTF8’ (Year: 2019).*

* cited by examiner

Primary Examiner — Michael C Stout
Assistant Examiner — Katrina N Gonzalez
(74) *Attorney, Agent, or Firm* — Fogarty LLP

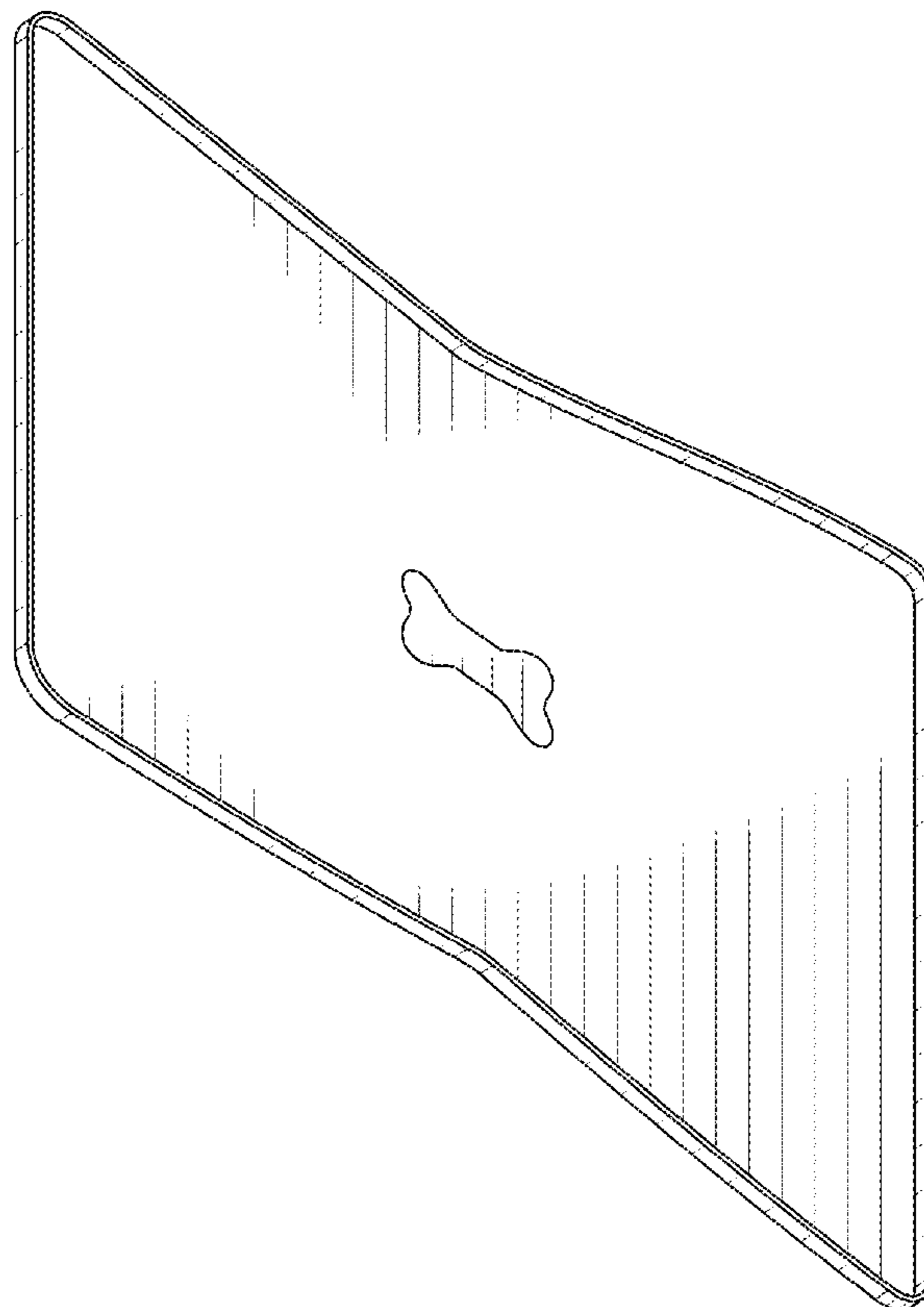
(57) **CLAIM**

The ornamental design for a pet food mat, as shown and described.

DESCRIPTION

FIG. 1 is a top perspective view of the design.
FIG. 2 is a bottom perspective view thereof;
FIG. 3 is a top plan view thereof;
FIG. 4 is a bottom plan view thereof;
FIG. 5 is a left side elevation view thereof;
FIG. 6 is a right side elevation view thereof;
FIG. 7 is a rear elevation view thereof; and,
FIG. 8 is a front elevation view thereof.

1 Claim, 4 Drawing Sheets



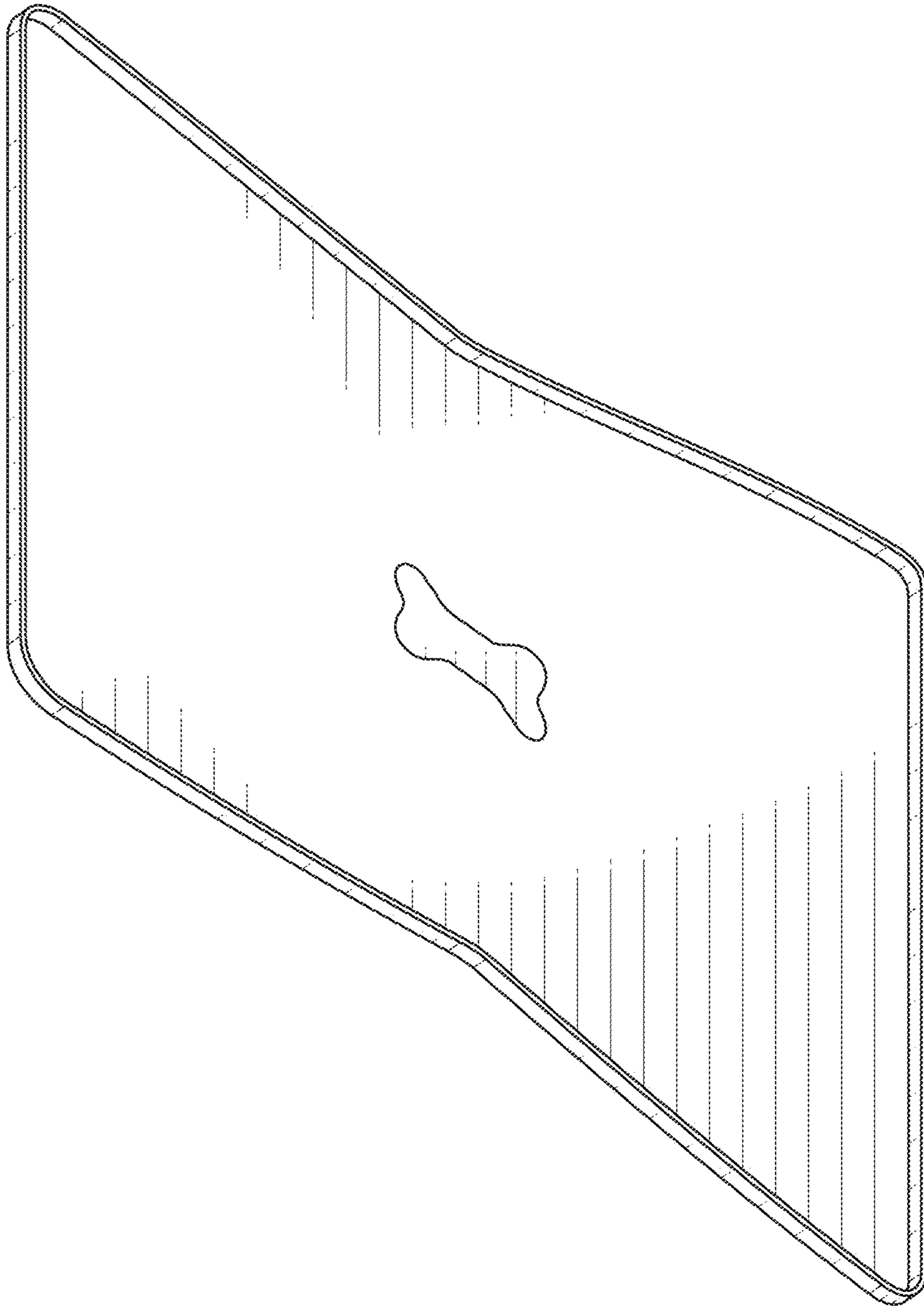


FIG. 1

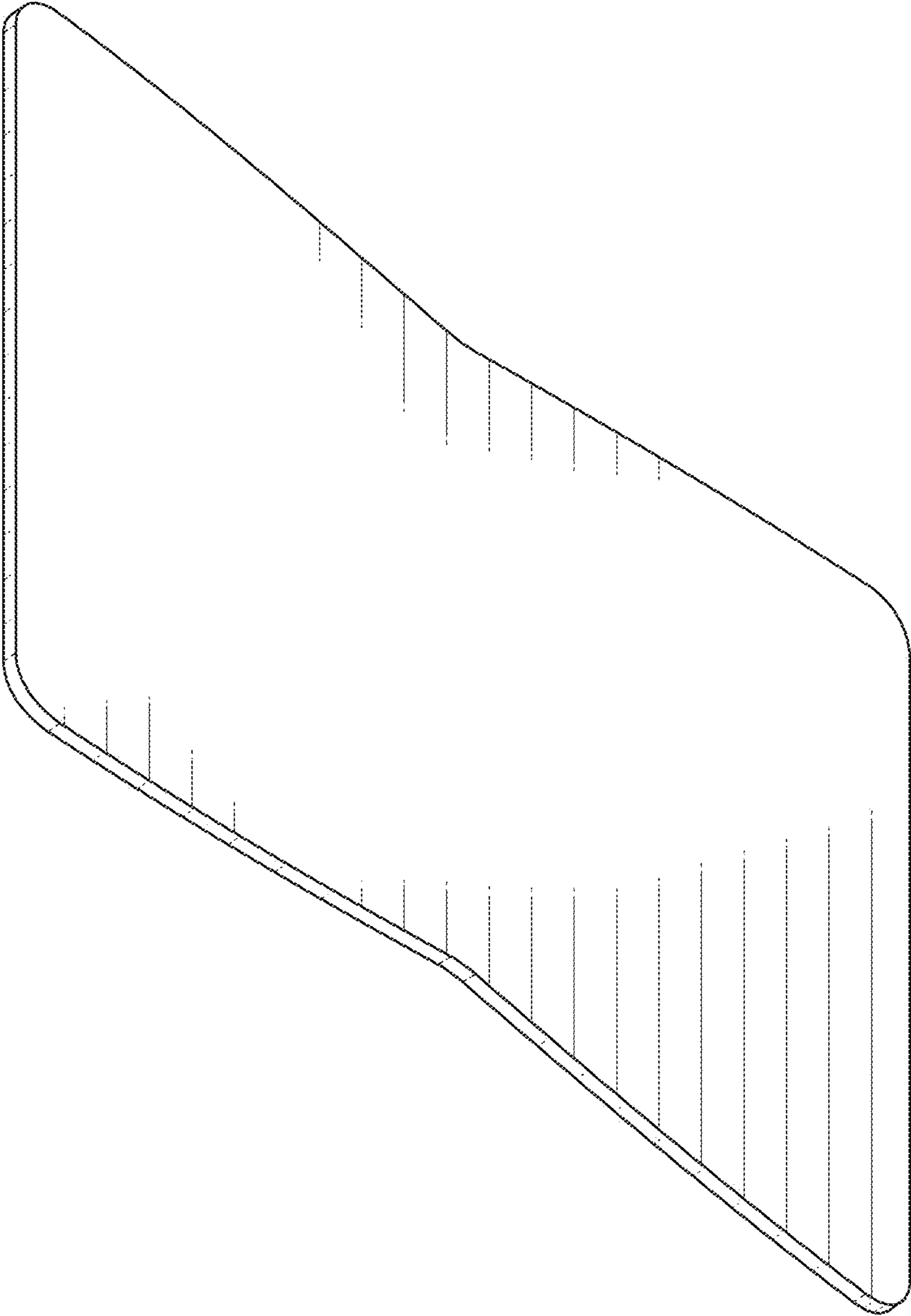


FIG. 2

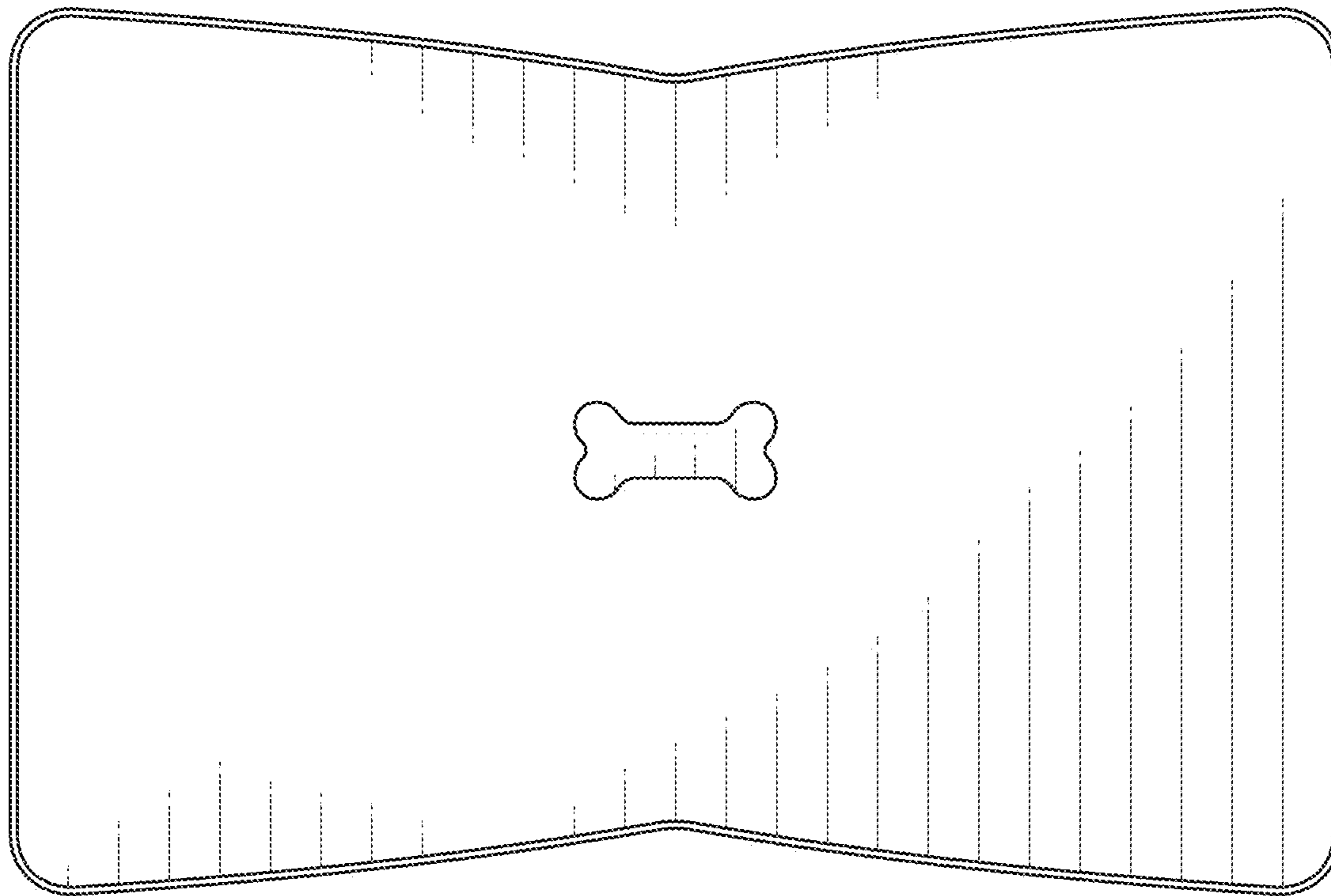


FIG. 3

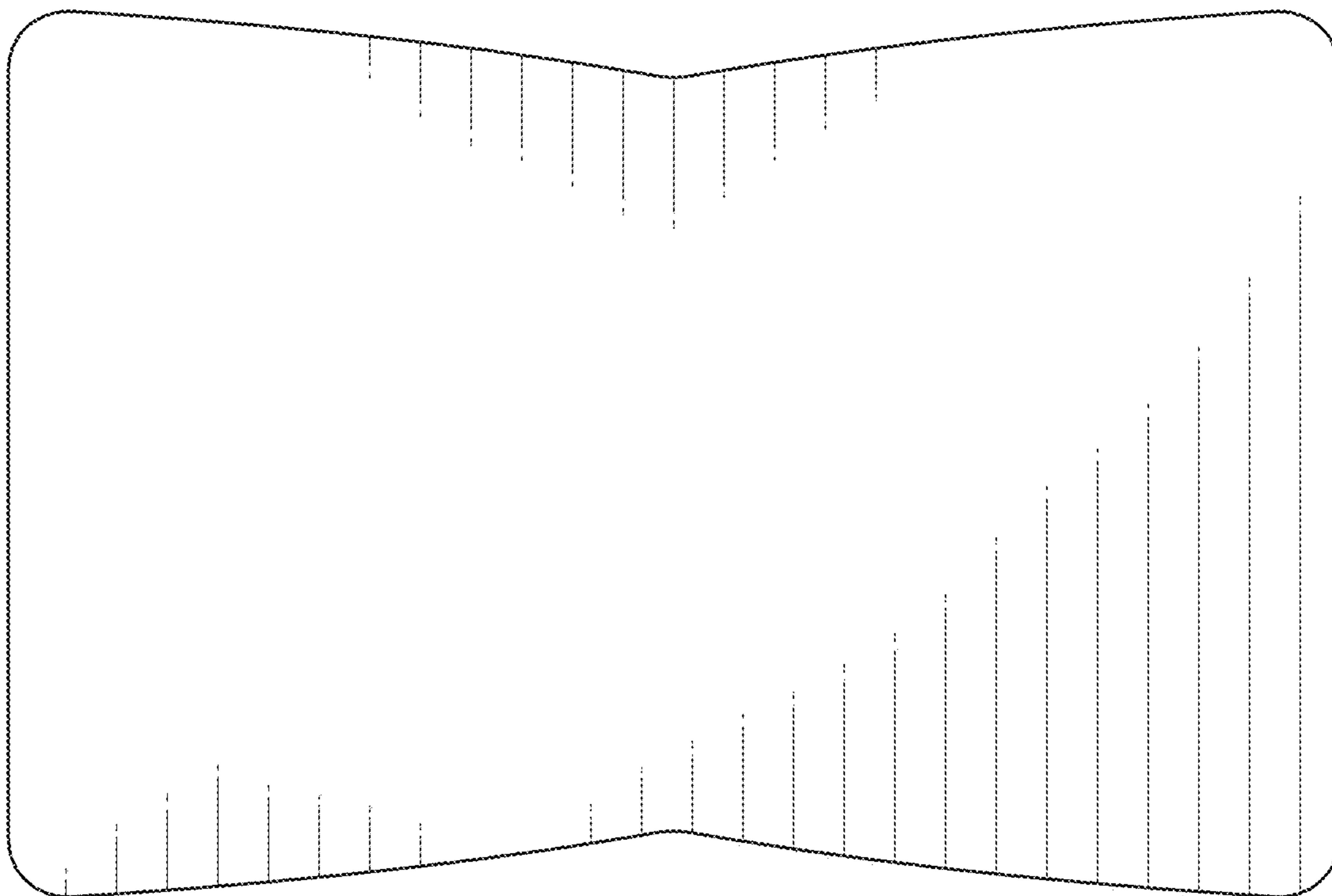


FIG. 4



FIG. 5

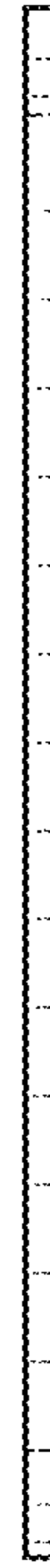


FIG. 6

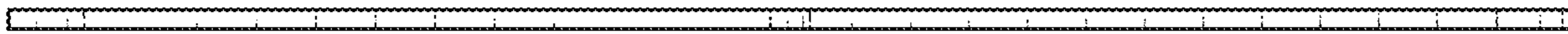


FIG. 7



FIG. 8