



US00D917793S

(12) **United States Design Patent** (10) **Patent No.:** **US D917,793 S**  
**Huang** (45) **Date of Patent:** **\*\* Apr. 27, 2021**

(54) **PET WATER DRINKING DEVICE**

(71) Applicant: **Junzhou Huang**, Guangdong (CN)

(72) Inventor: **Junzhou Huang**, Guangdong (CN)

(\*\*) Term: **15 Years**

(21) Appl. No.: **29/687,322**

(22) Filed: **Apr. 12, 2019**

(30) **Foreign Application Priority Data**

Oct. 16, 2018 (CN) ..... 201830575934.7

(51) **LOC (13) Cl.** ..... **30-03**

(52) **U.S. Cl.**  
USPC ..... **D30/132**

(58) **Field of Classification Search**  
USPC ..... D30/121, 122, 129, 130, 132, 133, 199;  
119/51.01, 51.02, 51.11, 51.5, 57.92,  
119/61.5, 61.52, 61.54, 61.55, 61.56, 72,  
119/74, 75, 78, 79, 80, 81  
CPC .. A01K 5/0114; A01K 5/0121; A01K 5/0135;  
A01K 7/005; A01K 39/02; A01K 39/04;  
A01K 39/0213; A01K 5/00  
See application file for complete search history.

(56) **References Cited**

**U.S. PATENT DOCUMENTS**

D681,888 S *	5/2013	Fang	.....	D30/132
D694,477 S *	11/2013	Rowe	.....	D30/132
D704,903 S *	5/2014	Fang	.....	D30/132
D820,534 S *	6/2018	Huang	.....	D30/132
D872,381 S *	1/2020	Lee	.....	D30/132
2019/0297842 A1 *	10/2019	Huang	.....	F04B 53/20

**OTHER PUBLICATIONS**

“Fiumi Ceramic Pet Drinking Fountain” available Sep. 9, 2018, [online], [site visited Aug. 25, 2020], Retrieved from Internet, URL:https://www.ipettie.com/products/ipettie-fiumi (Year: 2018).\*  
“Drinkwell Ceramic Avalon Fountain for Pets” available Feb. 18, 2019, [online], [site visited Aug. 25, 2020], Retrieved from Internet, URL:https://www.amazon.com/Drinkwell-Ceramic-Avalon-Fountain-Pets/dp/B00BD3TO82/ref=cm\_cr\_arp\_d\_product\_top?ie=UTF8 (Year: 2019).\*

\* cited by examiner

*Primary Examiner* — Michael C Stout  
*Assistant Examiner* — Katrina N Gonzalez

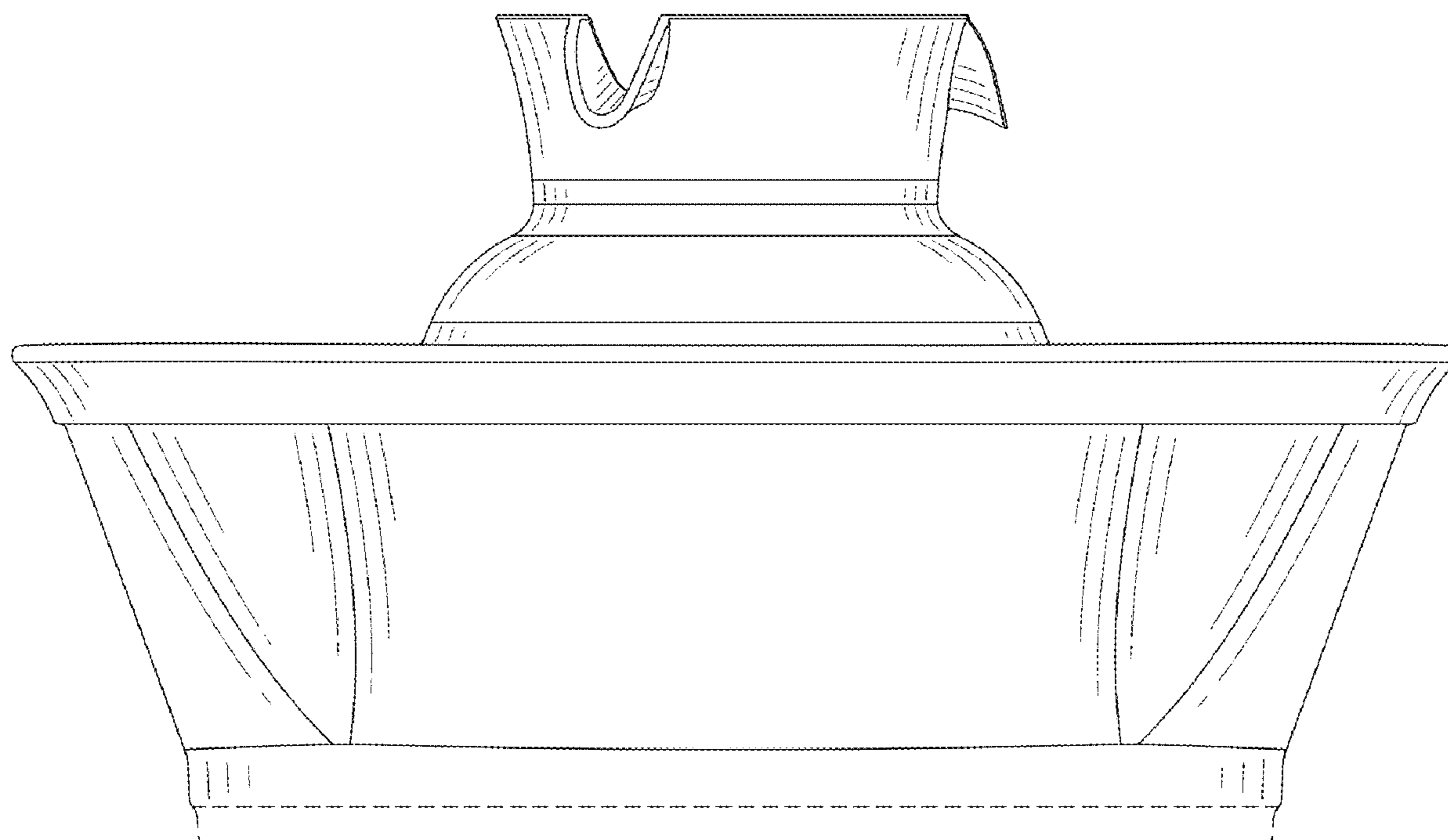
(57) **CLAIM**

The ornamental design for a pet water drinking device, as shown and described.

**DESCRIPTION**

FIG. 1 is a front elevational view of a pet water drinking device showing my new design;  
FIG. 2 is a rear elevational view thereof;  
FIG. 3 is a left side view thereof;  
FIG. 4 is a right side view thereof;  
FIG. 5 is a top plan view thereof;  
FIG. 6 is a bottom plan view thereof; and,  
FIG. 7 is a top and front side perspective view thereof.  
The broken lines in the drawings illustrate portions of the pet water drinking device which form no part of the claimed design.

**1 Claim, 7 Drawing Sheets**



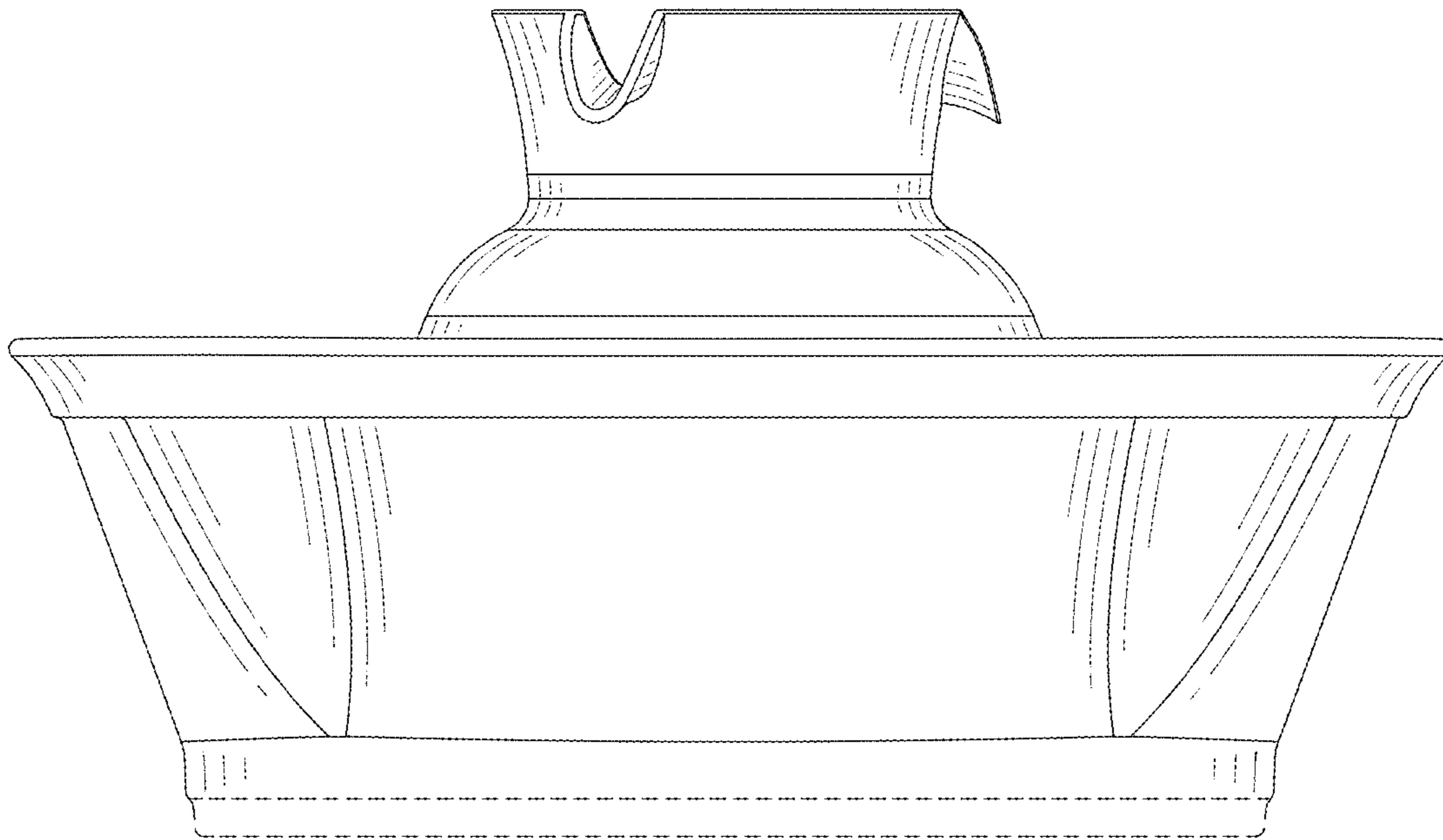


Fig.1

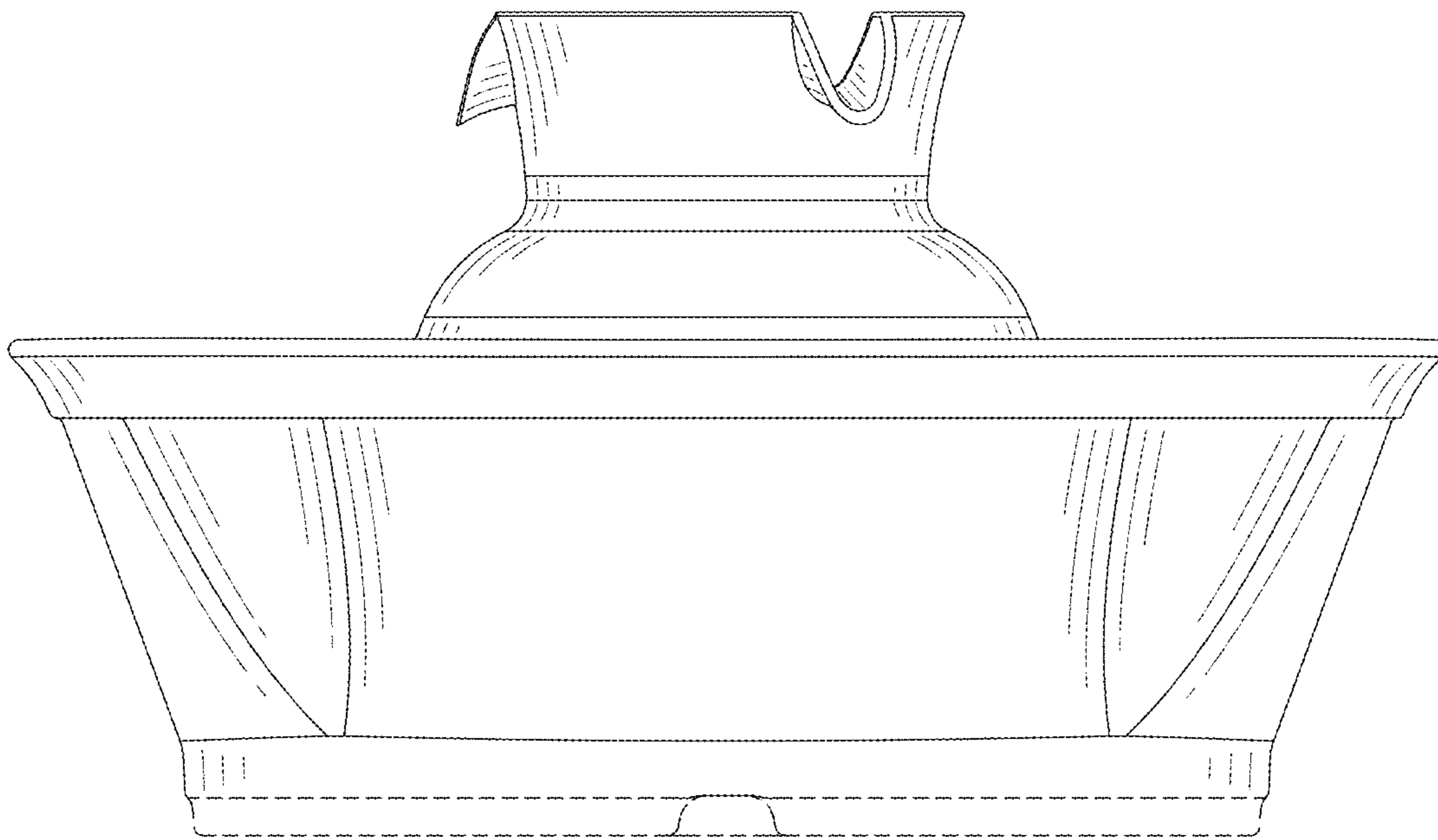


Fig.2

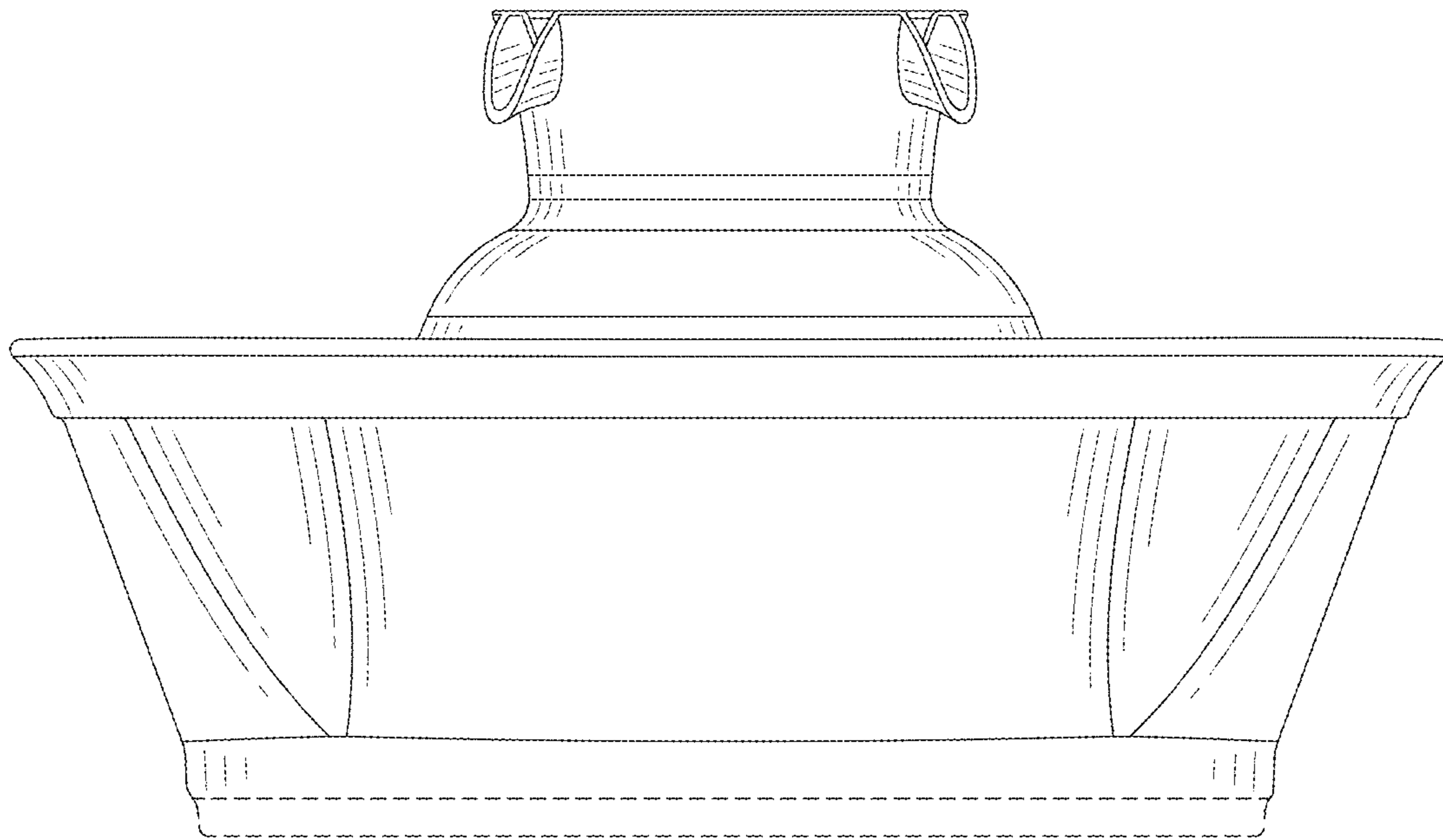


Fig.3

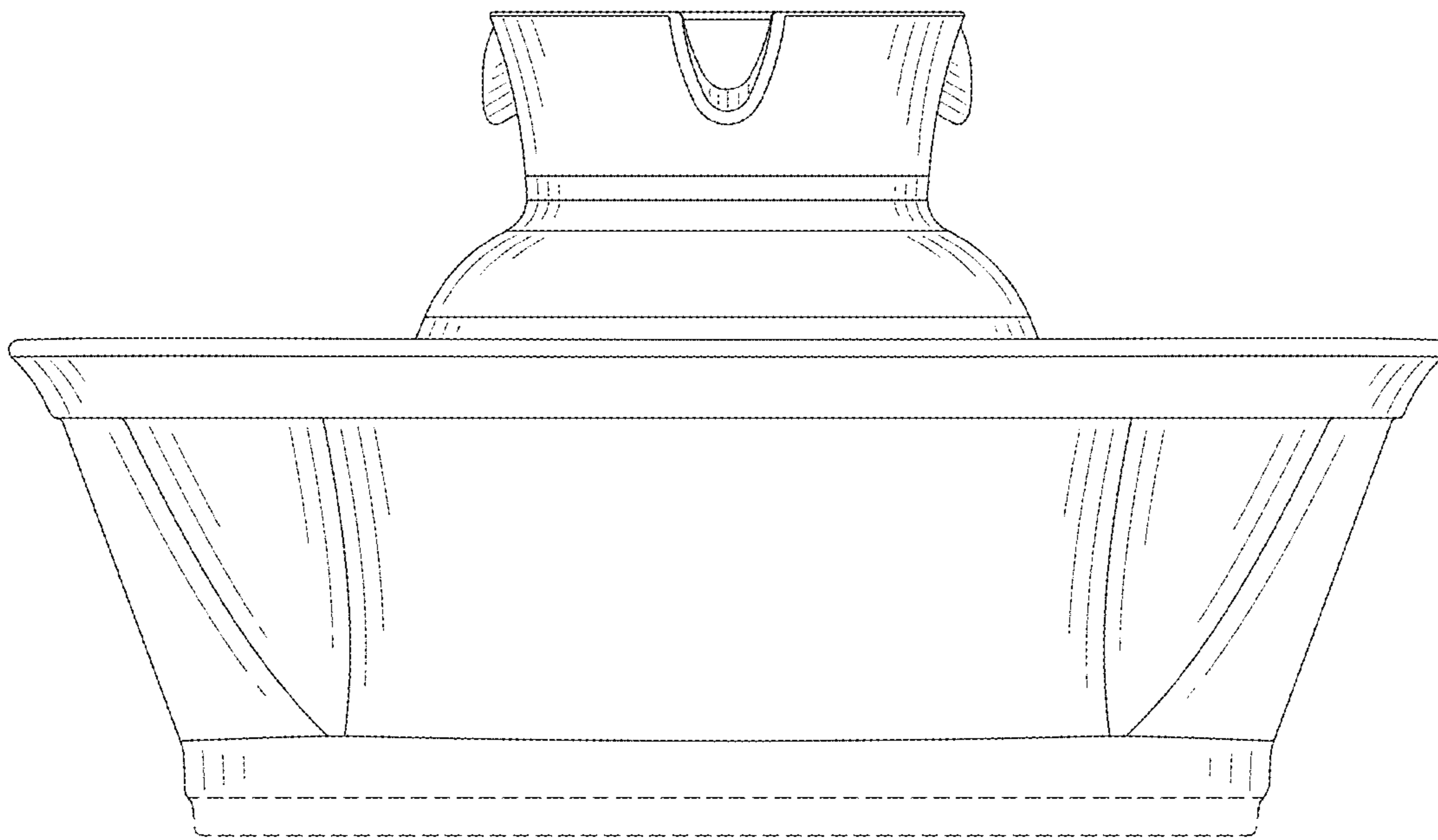


Fig.4

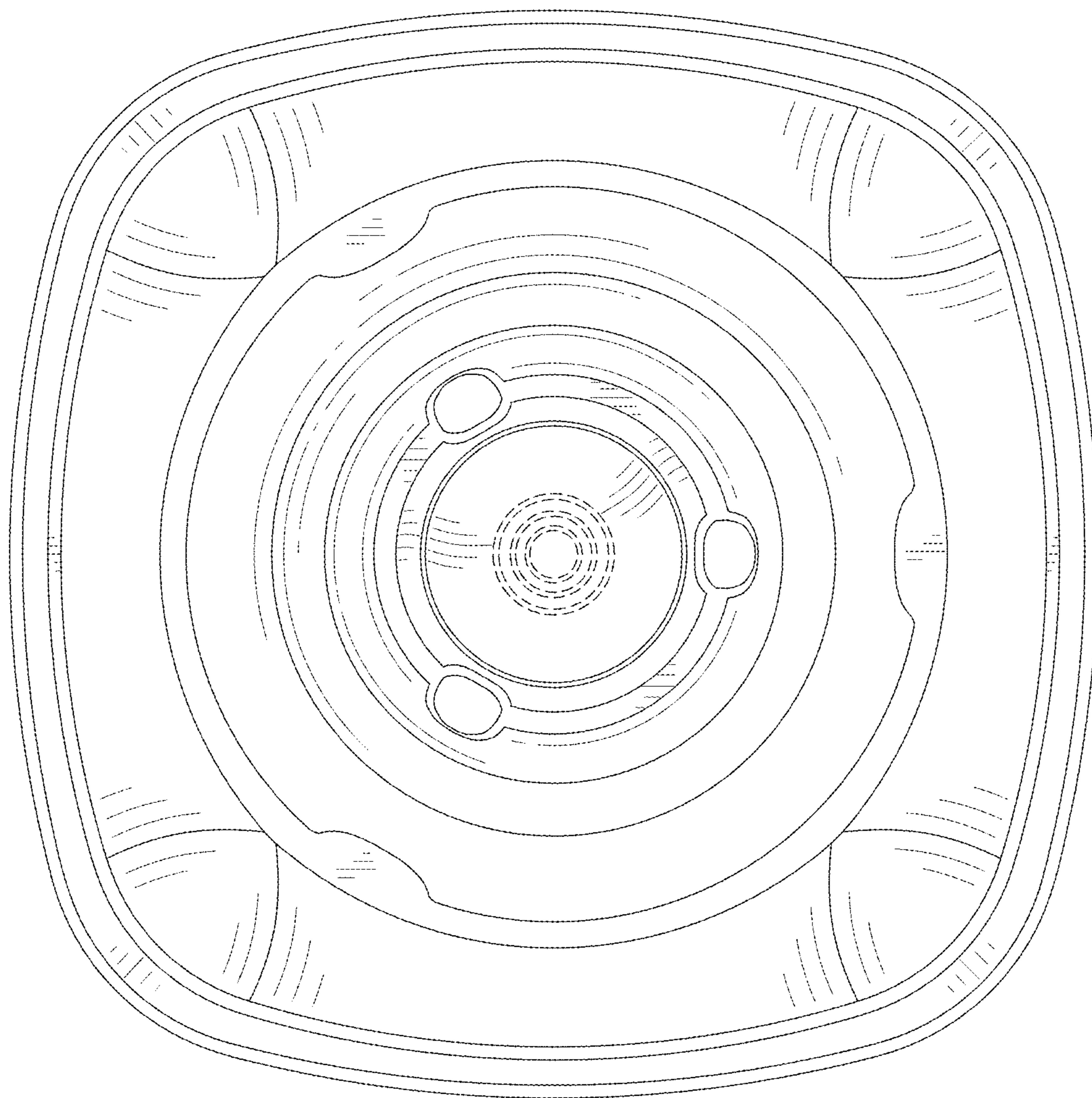


Fig.5

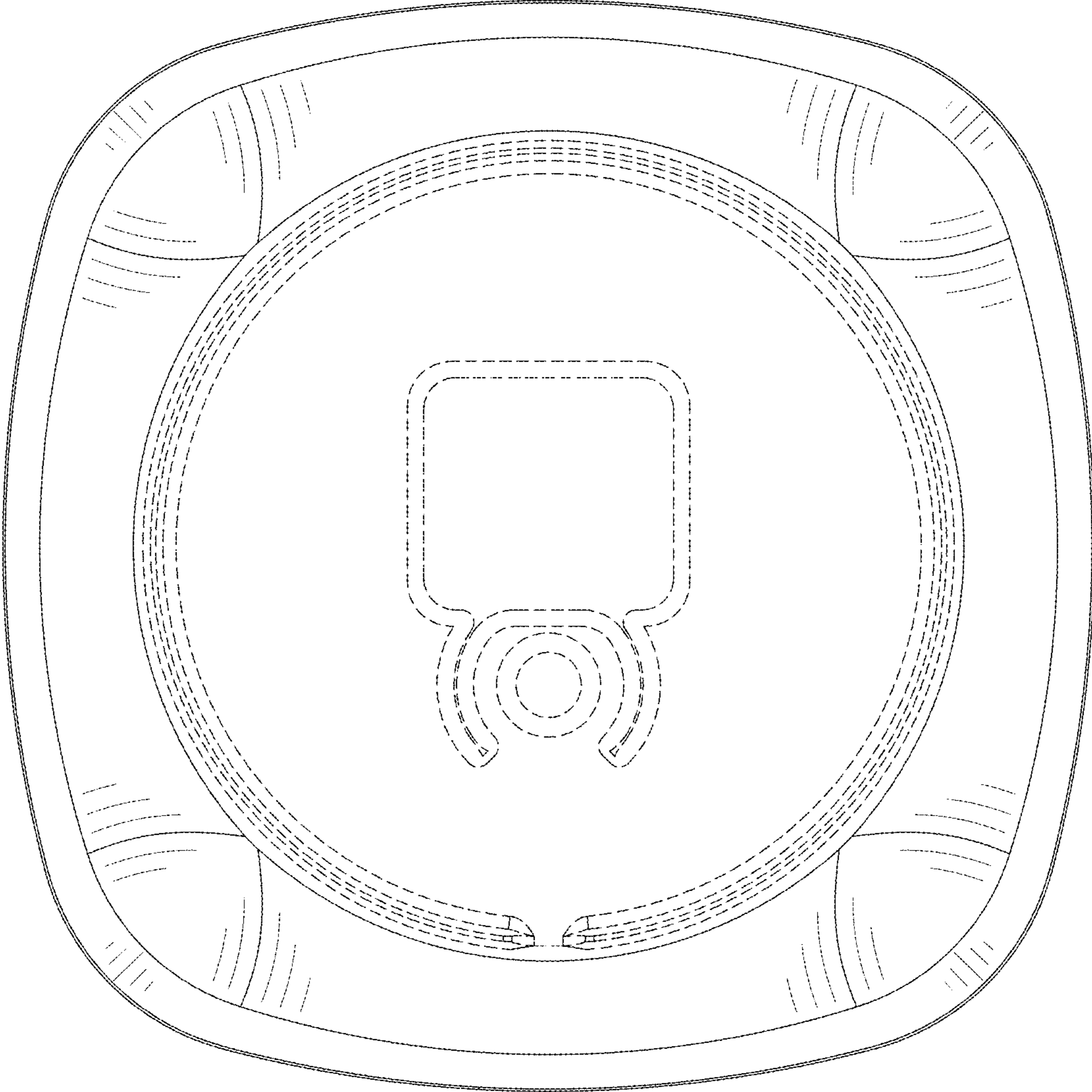


Fig.6

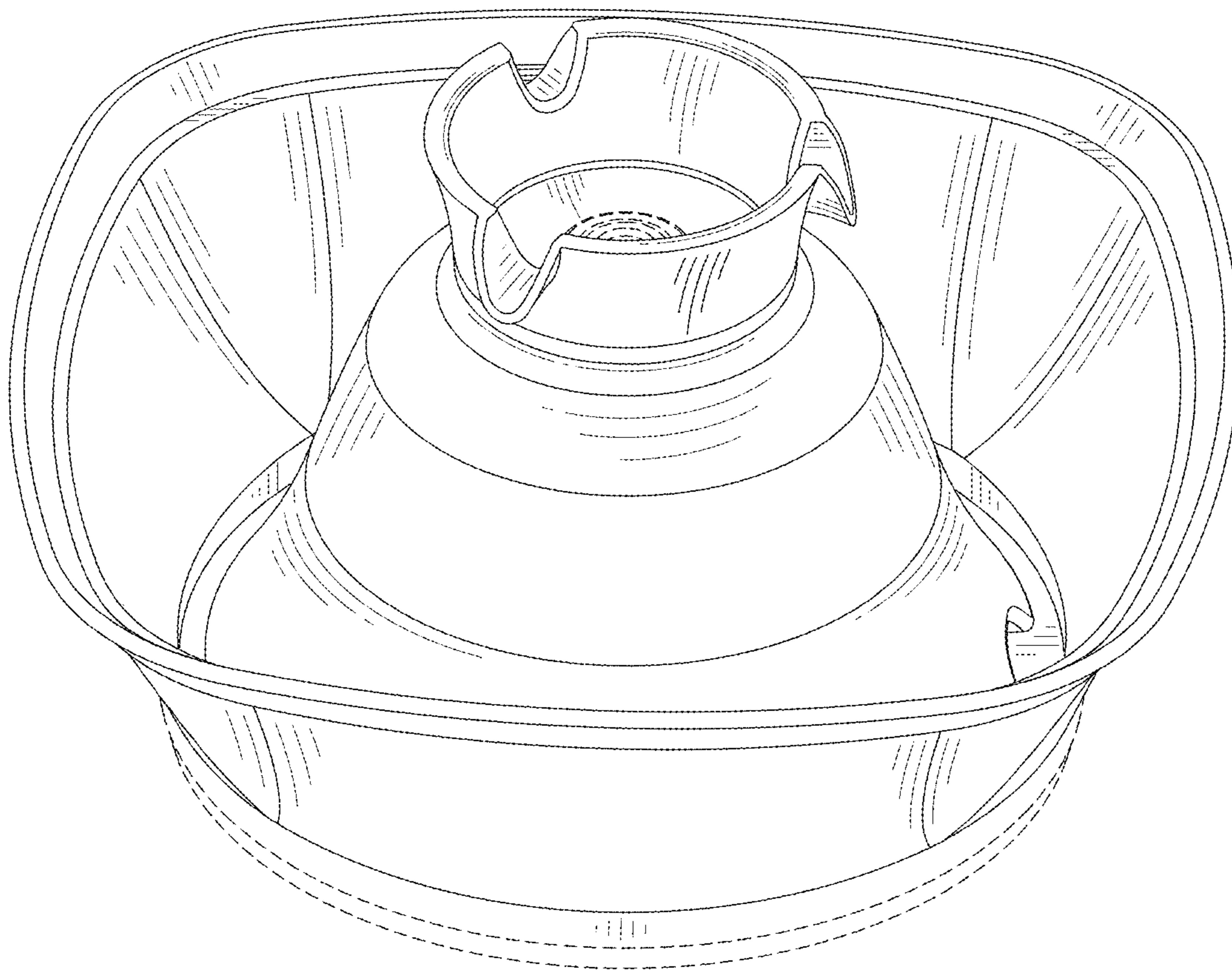


Fig.7