



US00D917792S

(12) **United States Design Patent**
Thorn

(10) **Patent No.:** **US D917,792 S**

(45) **Date of Patent:** **** Apr. 27, 2021**

(54) **BIRDFEEDER**

OTHER PUBLICATIONS

(71) Applicant: **Oakthrift Corporation Ltd,**
Borehamwood (GB)

(72) Inventor: **James John Thorn,** Borehamwood
(GB)

(**) Term: **15 Years**

(21) Appl. No.: **29/684,675**

(22) Filed: **Mar. 22, 2019**

(51) **LOC (13) Cl.** **30-03**

(52) **U.S. Cl.**
USPC **D30/124**

(58) **Field of Classification Search**

USPC D30/121, 123–128, 132, 199; 119/52.4,
119/53, 51.01, 61.3, 56.1, 58, 59, 70,
119/57.4, 55, 57.1, 57.2, 54, 57.92, 72,
119/57.7, 52.1, 74

See application file for complete search history.

“Roamwild Hummingbird feeder—New yellow Petals” available Feb. 28, 2020, [online], [site visited Jul. 28, 2020]. Retrieved from Internet, URL: https://www.youtube.com/watch?v=Yuu3ccYiy4k&feature=emb_logo (Year: 2020).*

“Roamwild Hummingbird Feeder”. available Jun. 6, 2019, [online], [site visited Jul. 28, 2020]. Retrieved from Internet, URL: <https://www.youtube.com/watch?v=bXZ1oljESpU> (Year: 2019).*

* cited by examiner

Primary Examiner — Michael C Stout

Assistant Examiner — Katrina N Gonzalez

(74) *Attorney, Agent, or Firm* — Donn K. Harms

(57) **CLAIM**

The ornamental design for a birdfeeder, as shown and described.

(56) **References Cited**

DESCRIPTION

U.S. PATENT DOCUMENTS

D368,336	S	*	3/1996	Brown	D30/121
D696,820	S	*	12/2013	DiOrio	D30/124
D752,825	S	*	3/2016	Aplin	D30/124
D760,963	S	*	7/2016	Delman	D30/131
D788,384	S	*	5/2017	Patrick	D30/127
D811,013	S	*	2/2018	Thorn	D30/127
2008/0251025	A1	*	10/2008	Guay	A01K 39/024
						119/78
2012/0060762	A1	*	3/2012	Cowger	A01K 39/0206
						119/74
2014/0109835	A1	*	4/2014	Colvin	A01K 39/0206
						119/74
2015/0122186	A1	*	5/2015	Donegan	F16M 13/02
						119/51.5

FIG. 1 is a front perspective view of a birdfeeder, showing my new design;

FIG. 2 is a right side elevation view thereof;

FIG. 3 is a front elevation view thereof;

FIG. 4 is a top view thereof;

FIG. 5 is a rear elevation view thereof;

FIG. 6 is a bottom perspective view thereof;

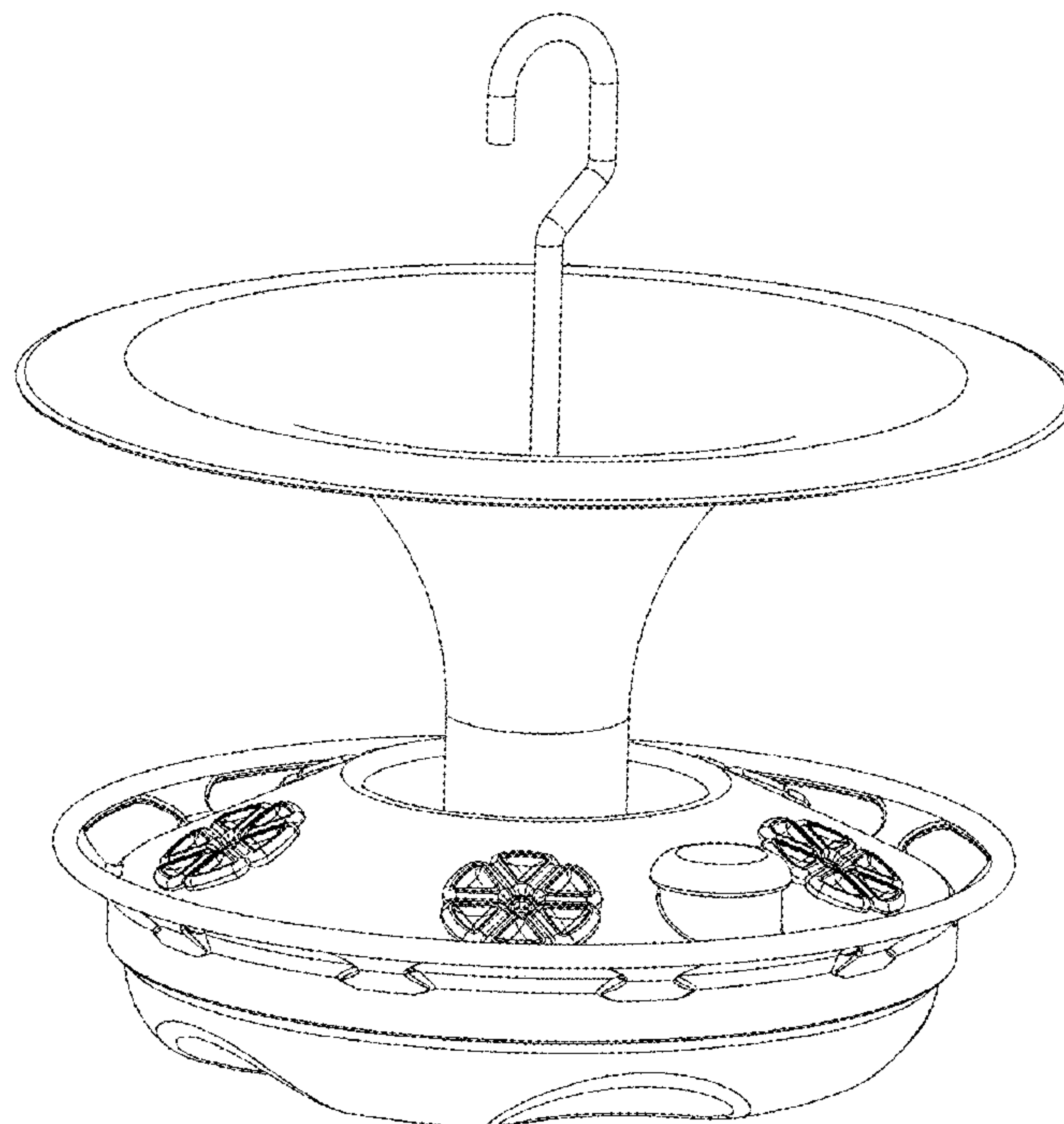
FIG. 7 is a bottom view thereof;

FIG. 8 is a left side elevation view thereof;

FIG. 9 is another bottom perspective view thereof; and,

FIG. 10 is a rear perspective view thereof.

1 Claim, 10 Drawing Sheets



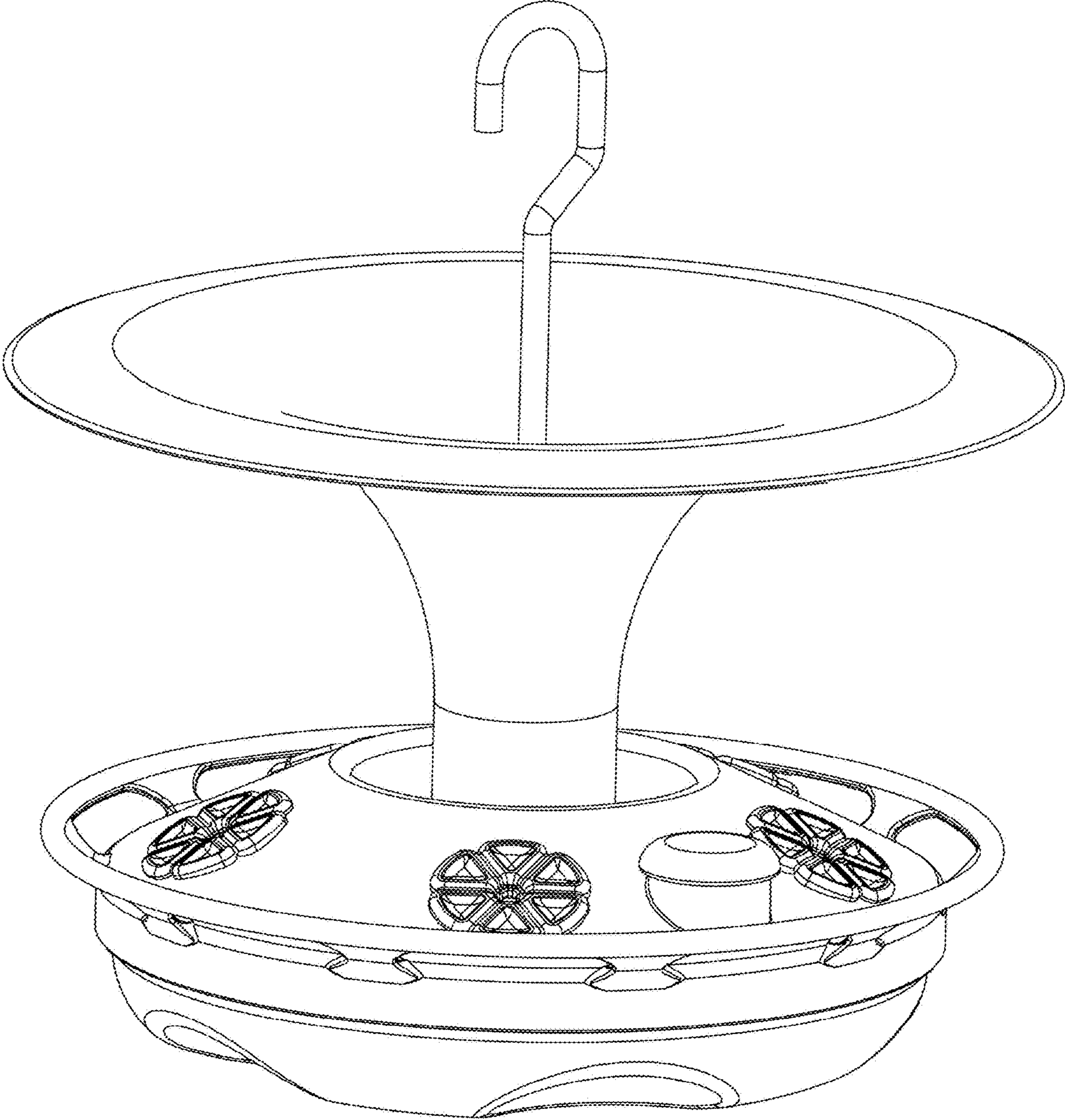


FIG. 1

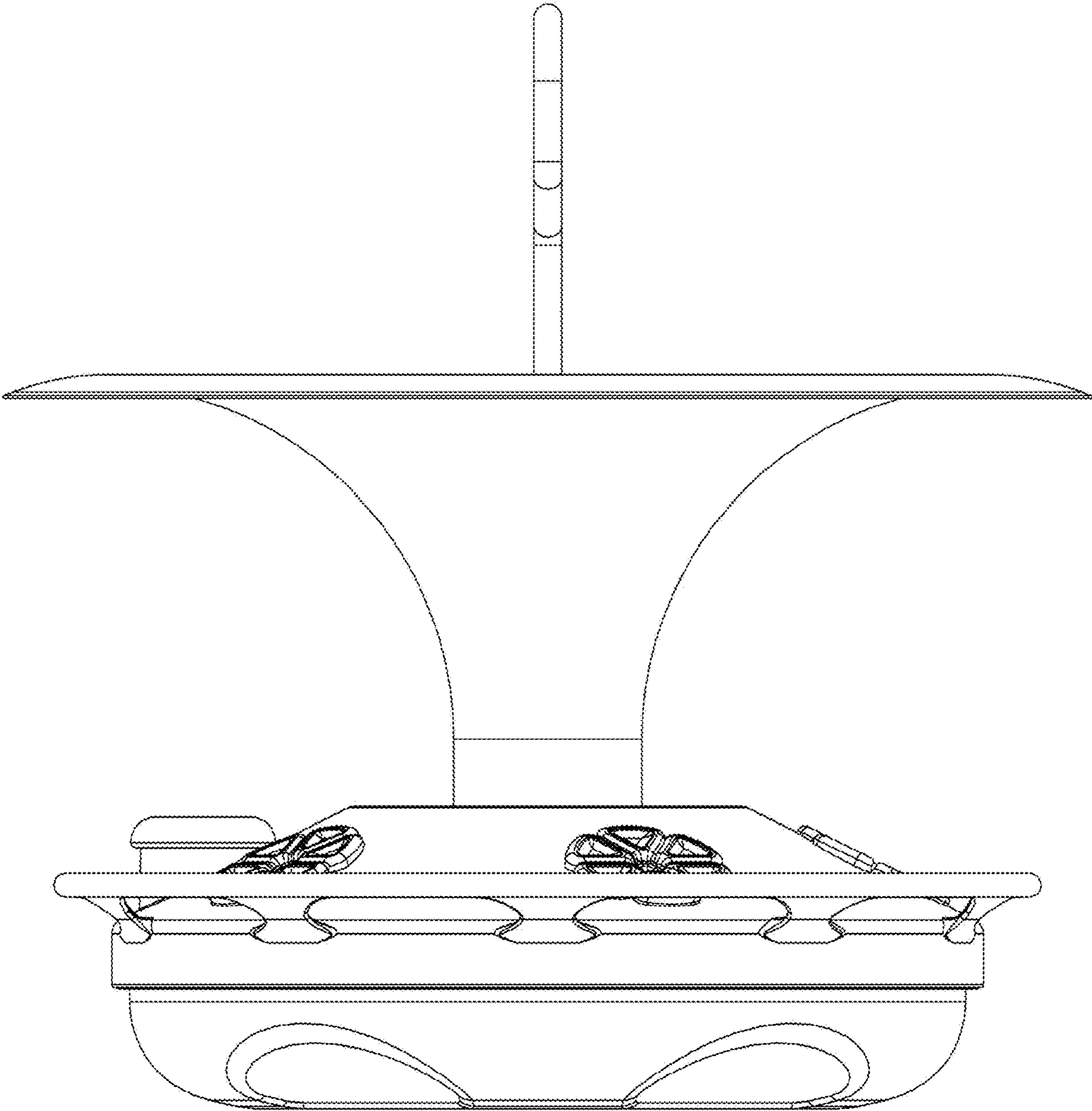


FIG. 2

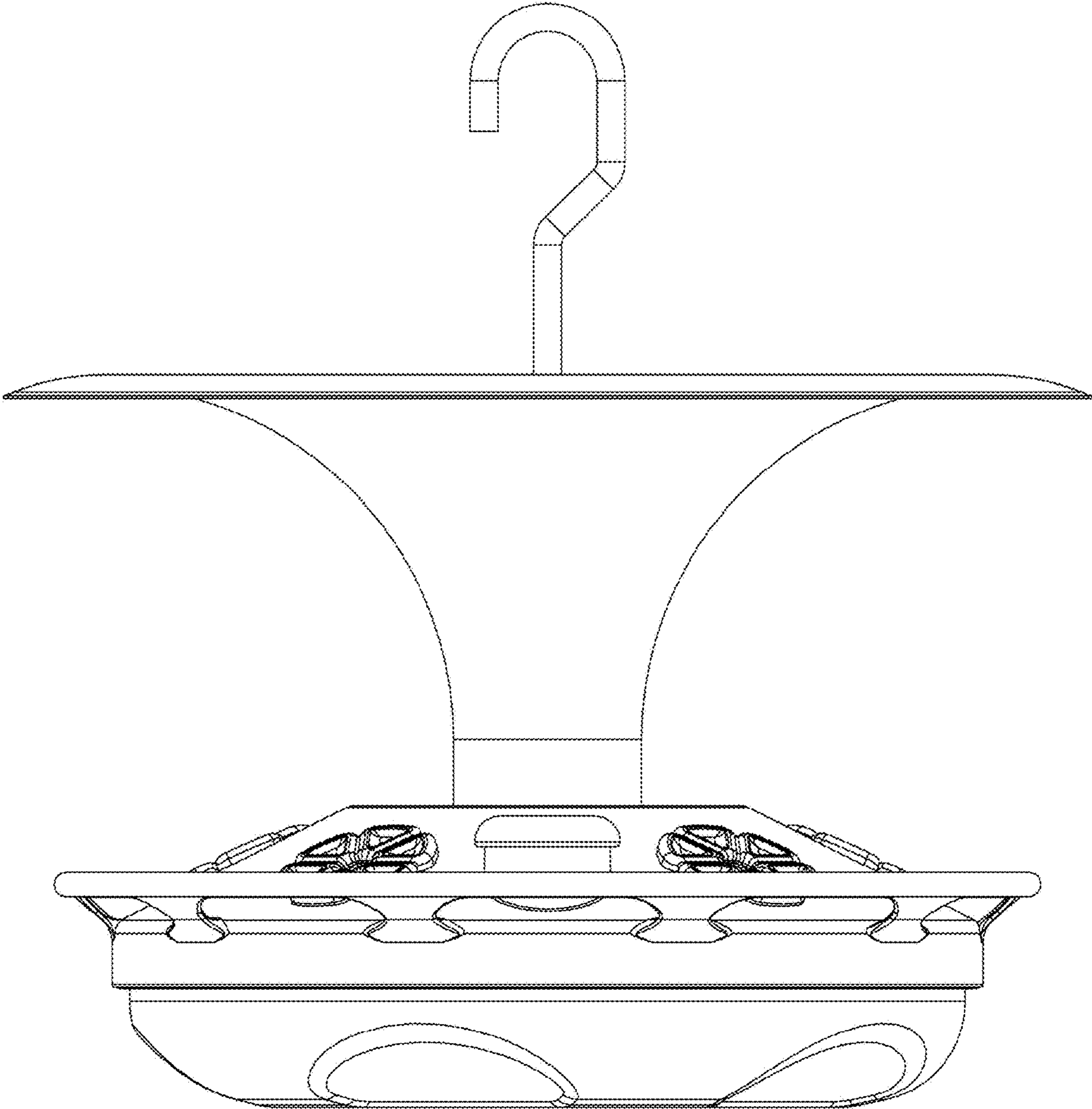


FIG. 3

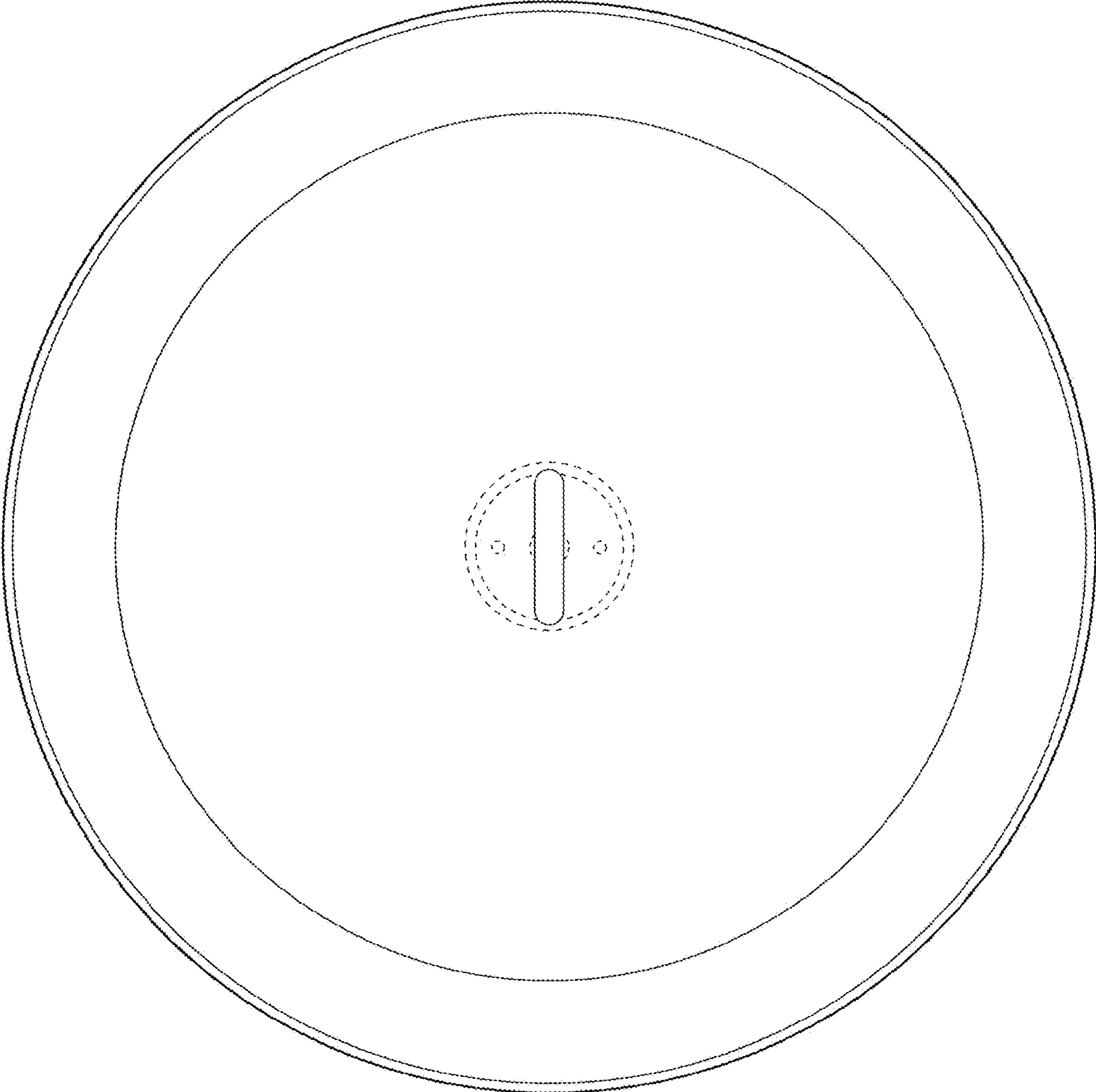


FIG. 4

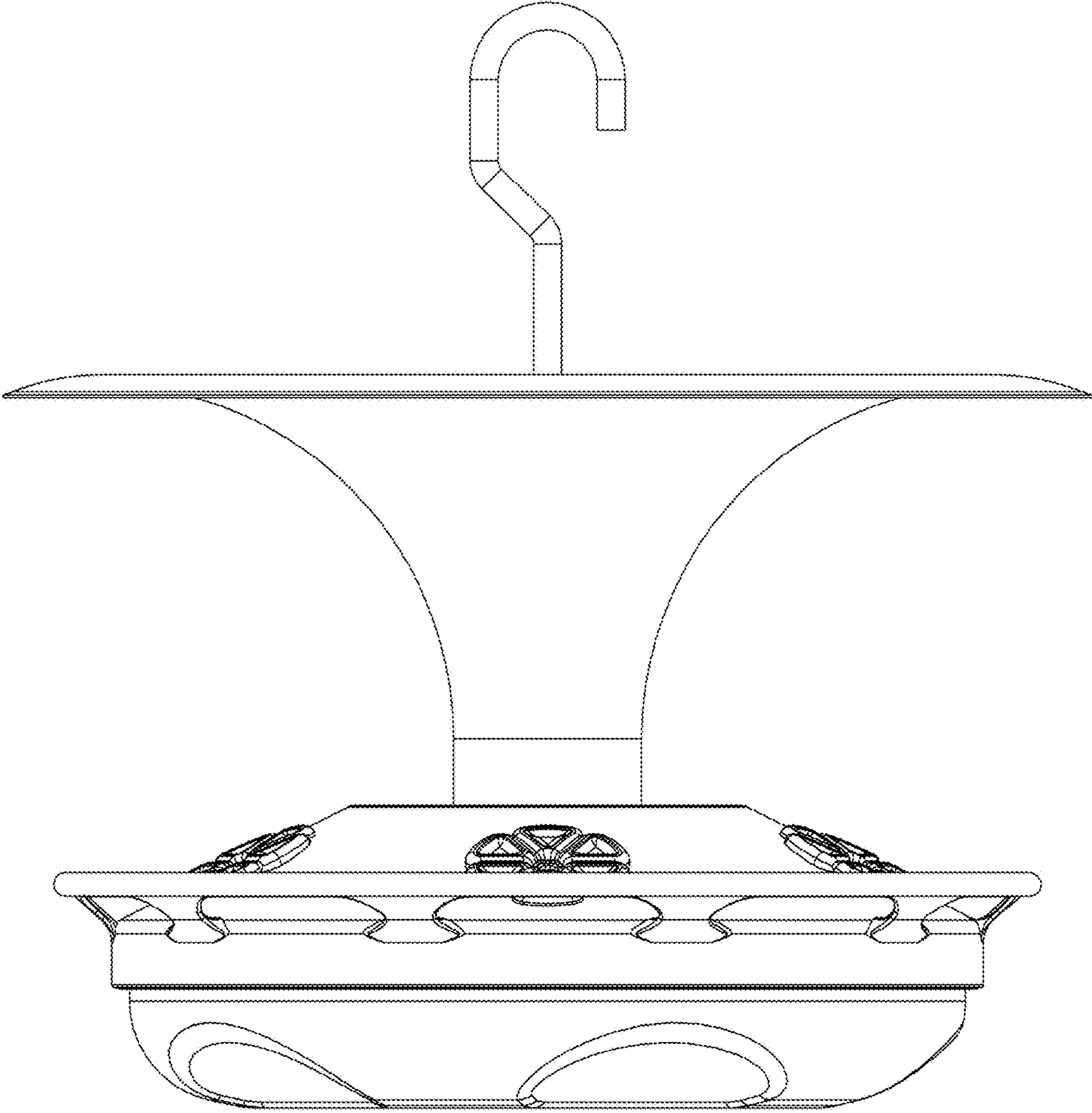


FIG. 5

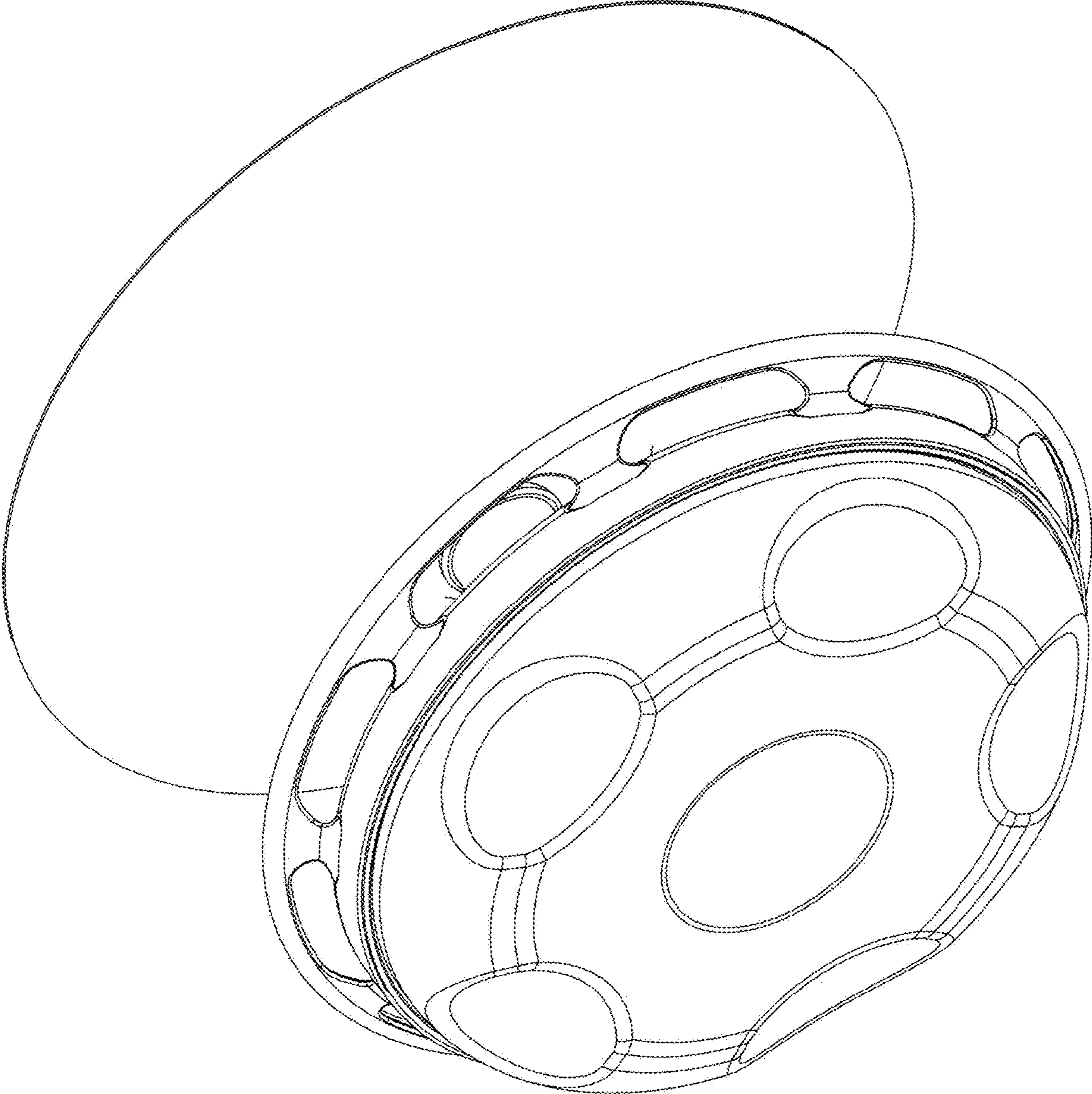


FIG. 6

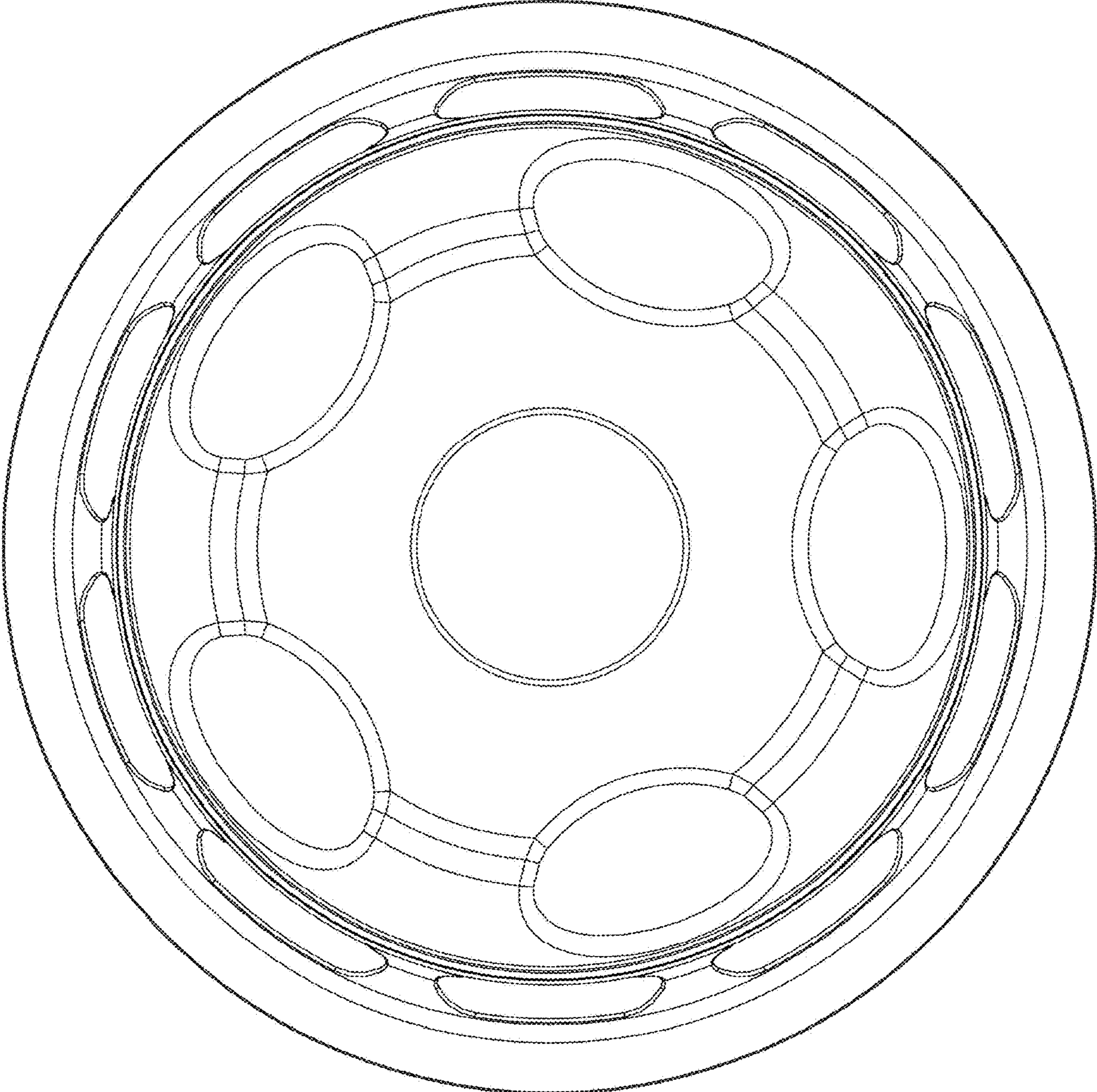


FIG. 7

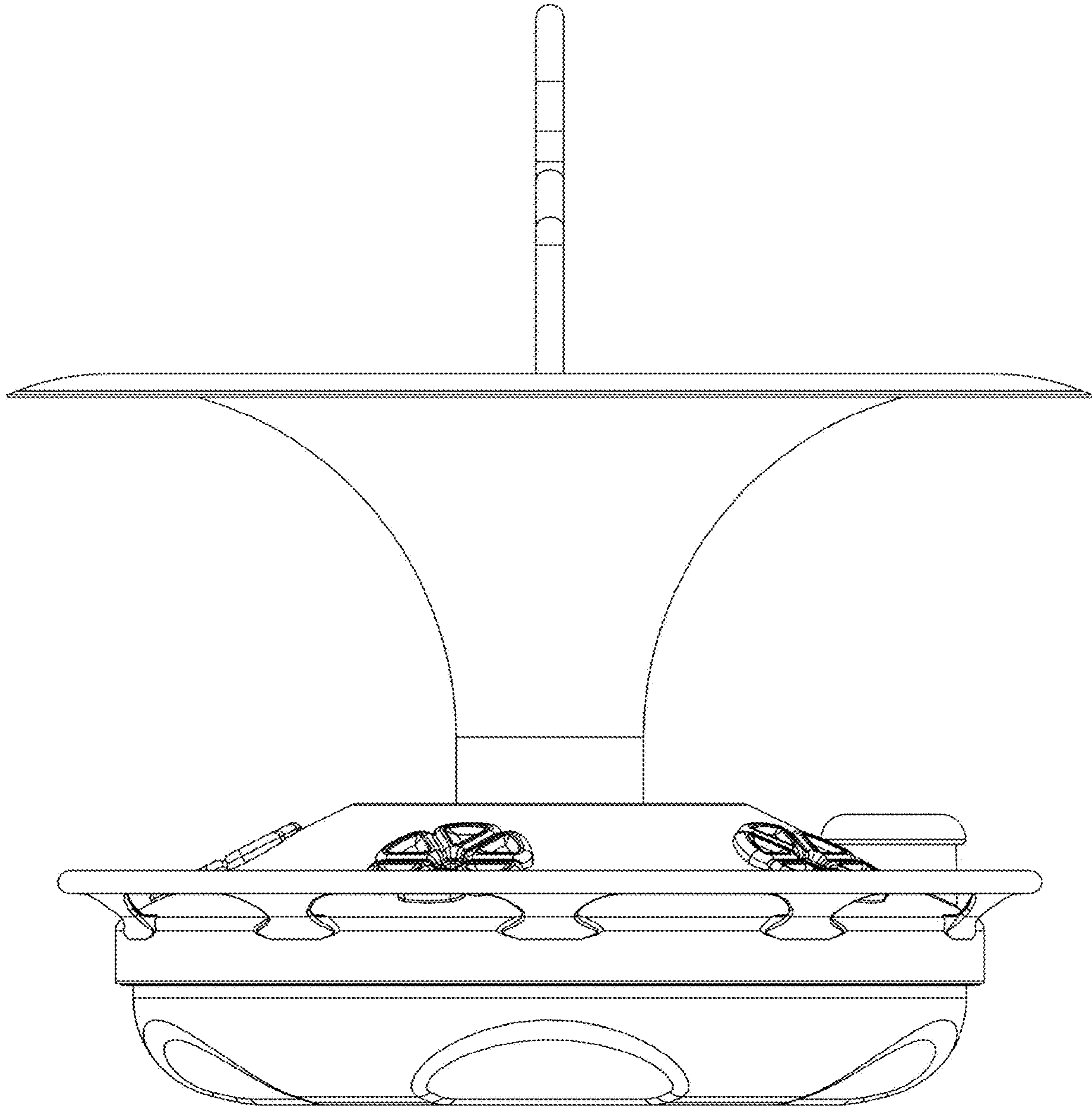


FIG. 8

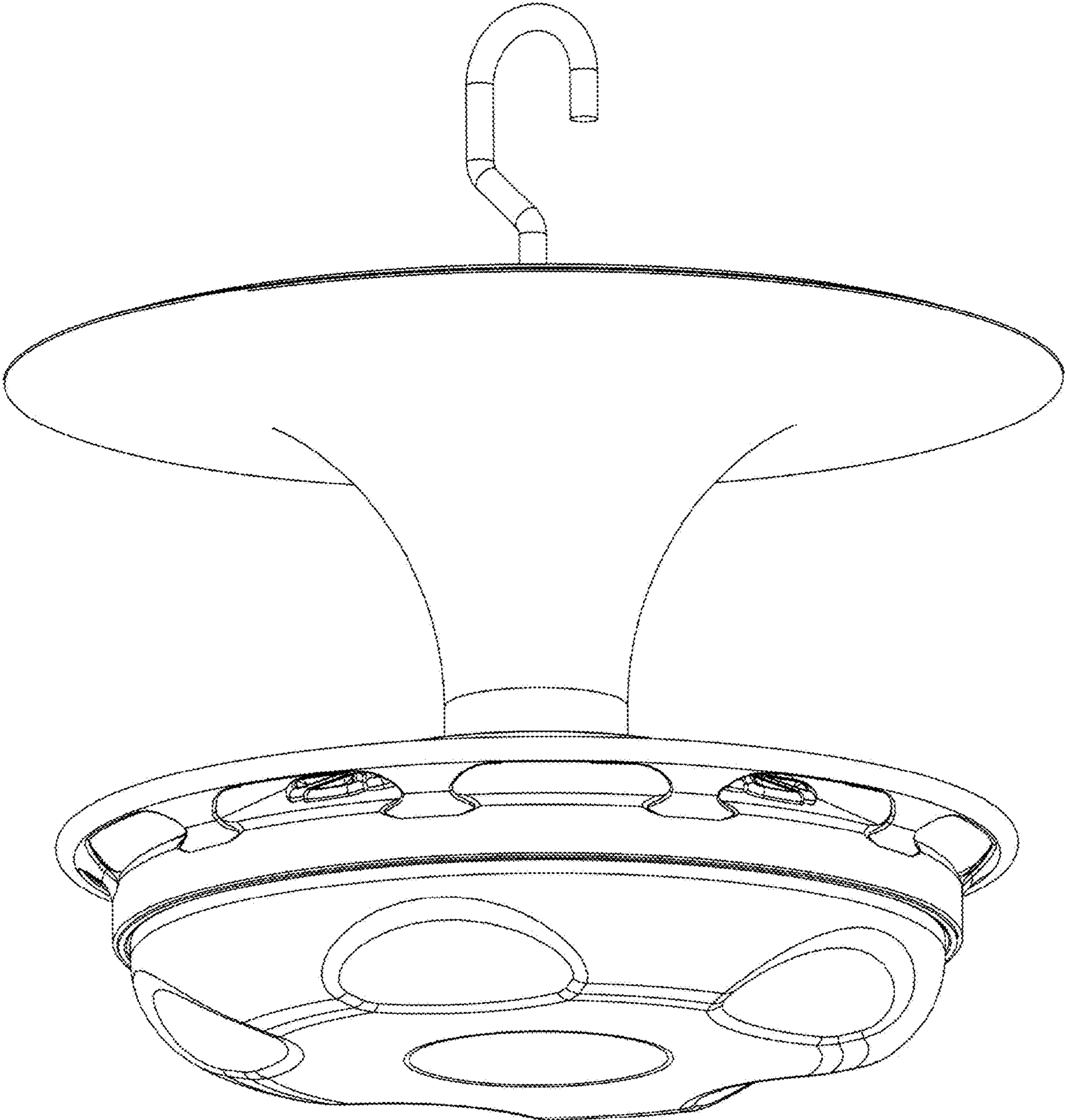


FIG. 9

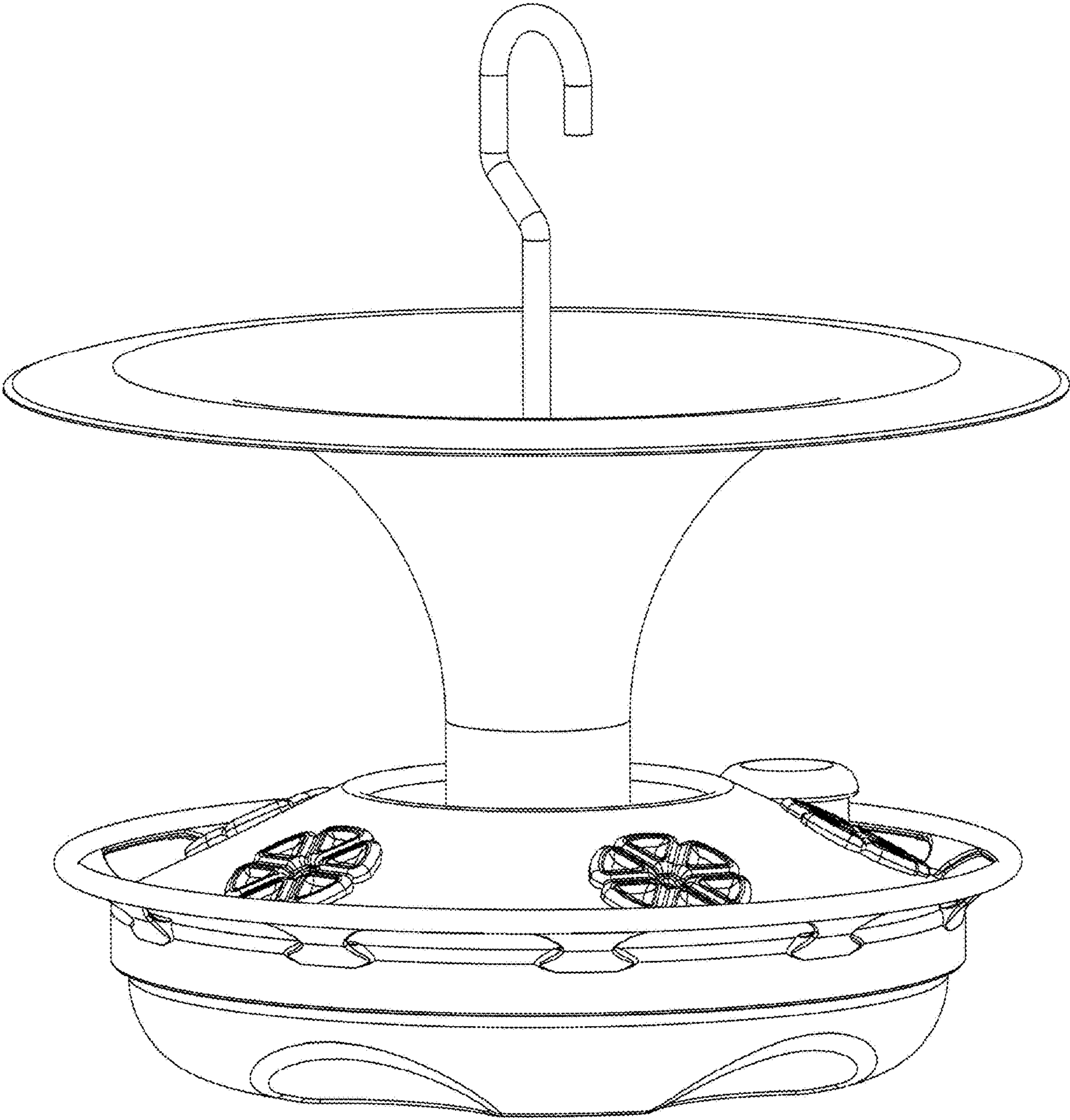


FIG. 10