



US00D917791S

(12) **United States Design Patent** (10) **Patent No.:** **US D917,791 S**  
**Cantwell et al.** (45) **Date of Patent:** **\*\* \*Apr. 27, 2021**

- (54) **CLIP FOR A DOOR ASSEMBLY OF AN ANIMAL ENCLOSURE** 2,320,067 A 5/1943 Caughren  
D218,874 S 9/1970 Whittaker  
4,570,574 A \* 2/1986 Burkholder ..... A01K 31/10  
119/481
- (71) Applicant: **Mid-West Metal Products Company, Inc., Muncie, IN (US)** 4,781,147 A 11/1988 Delino, Jr.  
D306,739 S \* 3/1990 Mackiewich ..... D3/266  
D315,860 S \* 4/1991 Joss ..... D8/367
- (72) Inventors: **Brad Cantwell, Muncie, IN (US); Stew Kerr, Muncie, IN (US); Michael E. Greene, Muncie, IN (US); David J. Nolley, Muncie, IN (US)** 5,373,810 A 12/1994 Martin  
D374,345 S 10/1996 Ostrosky et al.  
D384,443 S 9/1997 Olfert  
5,996,955 A 12/1999 Chen  
6,230,655 B1 5/2001 Cohen et al.  
6,427,631 B1 \* 8/2002 Ross ..... A01K 1/0245  
119/453
- (73) Assignee: **Mid-West Metal Products Company, Inc., Muncie, IN (US)**

(Continued)

(\* ) Notice: This patent is subject to a terminal disclaimer.

(\*\*) Term: **15 Years**

(21) Appl. No.: **29/628,070**

(22) Filed: **Dec. 1, 2017**

(51) **LOC (13) Cl.** ..... **30-07**

(52) **U.S. Cl.**  
USPC ..... **D30/119**

(58) **Field of Classification Search**  
USPC ..... D8/306, 321, 330, 331, 333, 336, 339,  
D8/342, 343, 344, 349, 370, 382, 394,  
D8/395, 400, 499; D30/108–112,  
D30/114–117, 119  
CPC ..... A01K 31/02; A01K 31/06; A01K 31/08;  
A01K 31/10; A01K 1/0017; A01K  
1/0245; A01K 1/03; A01K 1/034  
See application file for complete search history.

(56) **References Cited**

**U.S. PATENT DOCUMENTS**

- D26,541 S 1/1897 Covert
- 1,469,595 A 10/1923 Hick
- 1,894,895 A 1/1933 Steele et al.
- D89,923 S 5/1933 Robison

**FOREIGN PATENT DOCUMENTS**

EM 002435230-0001 \* 5/2014

*Primary Examiner* — Leanne Was-Englehart

(74) *Attorney, Agent, or Firm* — Taft Stettinius & Hollister LLP; Stephen F. Rost

(57) **CLAIM**

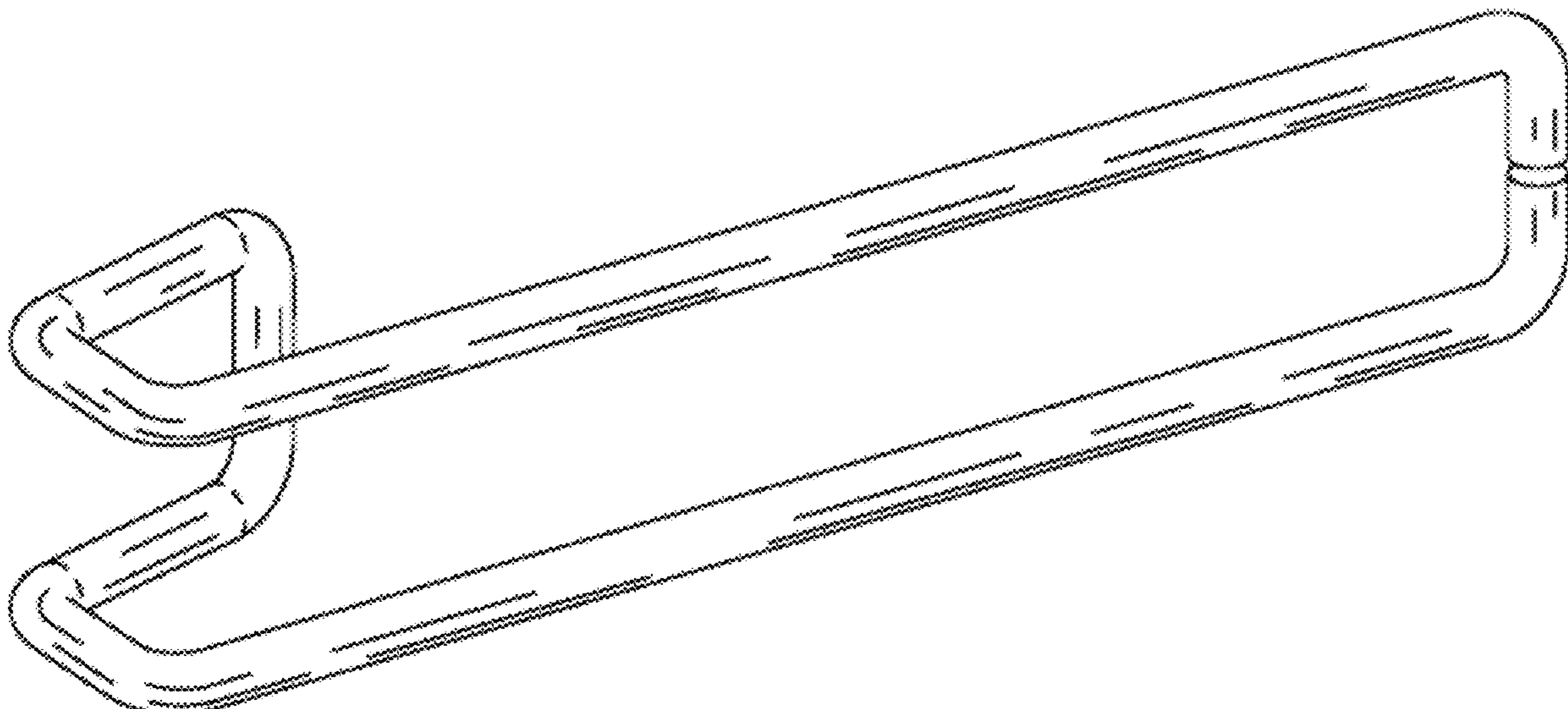
The ornamental design for a clip for a door assembly of an animal enclosure, as shown and described.

**DESCRIPTION**

FIG. 1 is a perspective view of a clip for a door assembly of an animal enclosure shown in environmental use according to the present design;  
FIG. 2 is a second perspective view thereof;  
FIG. 3 is a front view thereof;  
FIG. 4 is a left side view thereof;  
FIG. 5 is a right side view thereof;  
FIG. 6 is a top view thereof;  
FIG. 7 is a bottom view thereof; and,  
FIG. 8 is a rear view thereof.

The broken lines shown represent unclaimed subject matter and form no part of the claimed design.

**1 Claim, 3 Drawing Sheets**



(56)

References Cited

U.S. PATENT DOCUMENTS

6,681,720 B1 \* 1/2004 Skurdalsvold ..... A01K 1/03  
119/474  
D552,980 S 10/2007 Svedberg  
7,918,188 B1 \* 4/2011 Harper ..... A01K 1/0245  
119/481  
7,942,688 B2 \* 5/2011 Ferderer ..... H01R 13/62966  
439/372  
D655,986 S \* 3/2012 Schneider ..... D6/566  
8,141,517 B2 3/2012 Shimoda et al.  
D673,737 S 1/2013 Cantwell et al.  
D695,588 S \* 12/2013 Cantwell ..... D8/331  
D697,273 S 1/2014 Cantwell et al.  
D697,675 S \* 1/2014 Cheng-Lung ..... D30/114  
D700,505 S \* 3/2014 Totten ..... D8/370  
D704,527 S \* 5/2014 Liu ..... D8/330  
D706,617 S 6/2014 Hendricks  
D707,102 S \* 6/2014 Hale ..... D8/331

D710,680 S \* 8/2014 Chen ..... D8/370  
D721,568 S \* 1/2015 Cantwell ..... D30/119  
D727,713 S \* 4/2015 Greene ..... D30/119  
D751,370 S \* 3/2016 McClees ..... D12/416  
9,399,886 B2 \* 7/2016 Link ..... E06B 3/52  
D770,692 S \* 11/2016 Cantwell ..... D30/119  
D782,748 S \* 3/2017 Cantwell ..... D30/119  
D784,630 S \* 4/2017 Cantwell ..... D30/119  
D794,258 S \* 8/2017 Cantwell ..... D30/119  
10,047,555 B2 \* 8/2018 Link ..... A01K 1/034  
D839,492 S \* 1/2019 Cantwell ..... D30/119  
D839,493 S \* 1/2019 Cantwell ..... D30/119  
2016/0024824 A1 \* 1/2016 Link ..... A01K 1/034  
119/481  
2017/0000080 A1 \* 1/2017 Bin ..... A01K 1/03  
2017/0055486 A1 \* 3/2017 Bin ..... A01K 1/0245  
2017/0142927 A1 \* 5/2017 Cantwell ..... A01K 1/034  
2017/0156286 A1 \* 6/2017 Cantwell ..... A01K 1/03  
2017/0292298 A1 \* 10/2017 Cantwell ..... A01K 1/0035  
2017/0295748 A1 \* 10/2017 He ..... A01K 1/034

\* cited by examiner

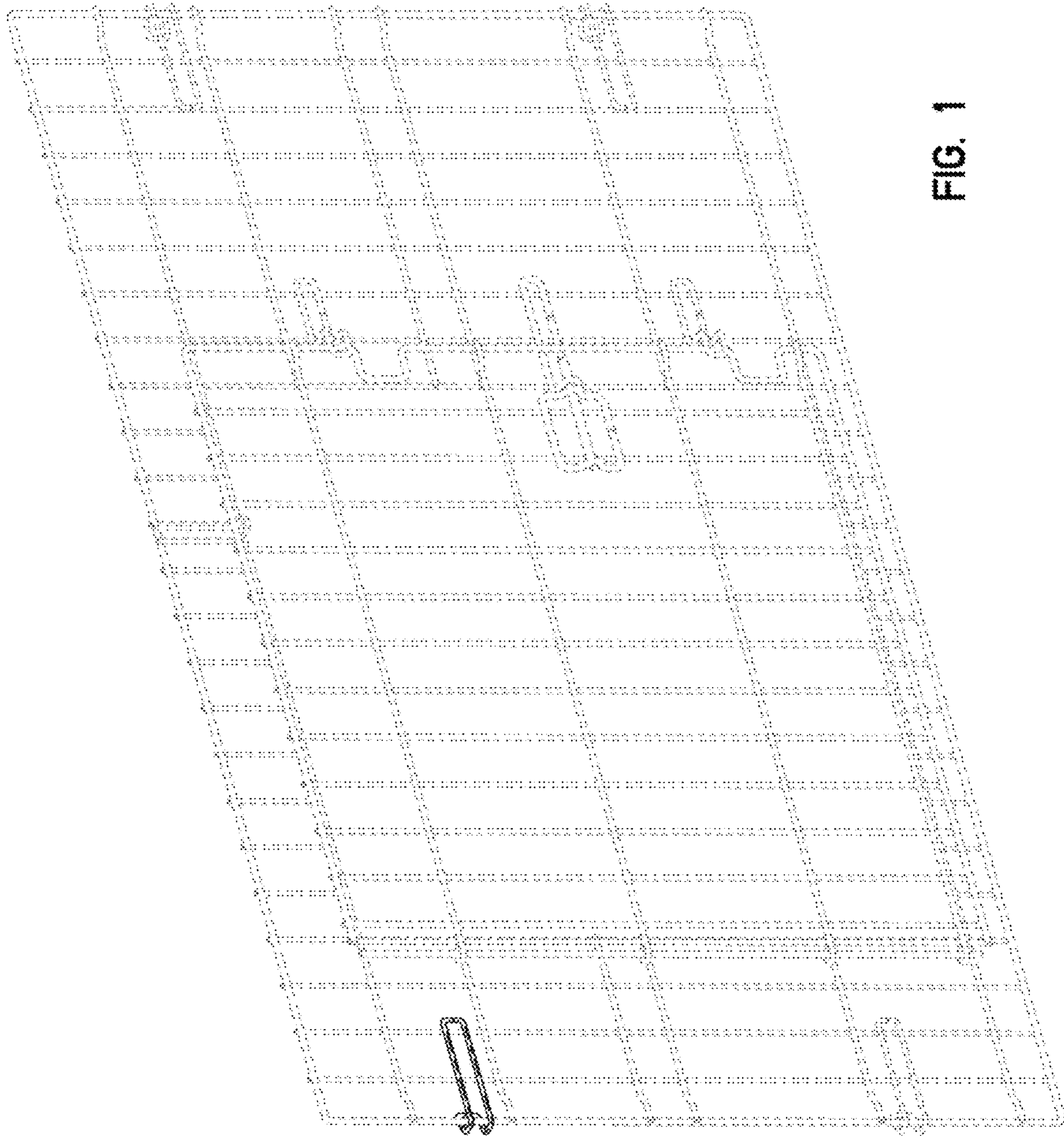


FIG. 1

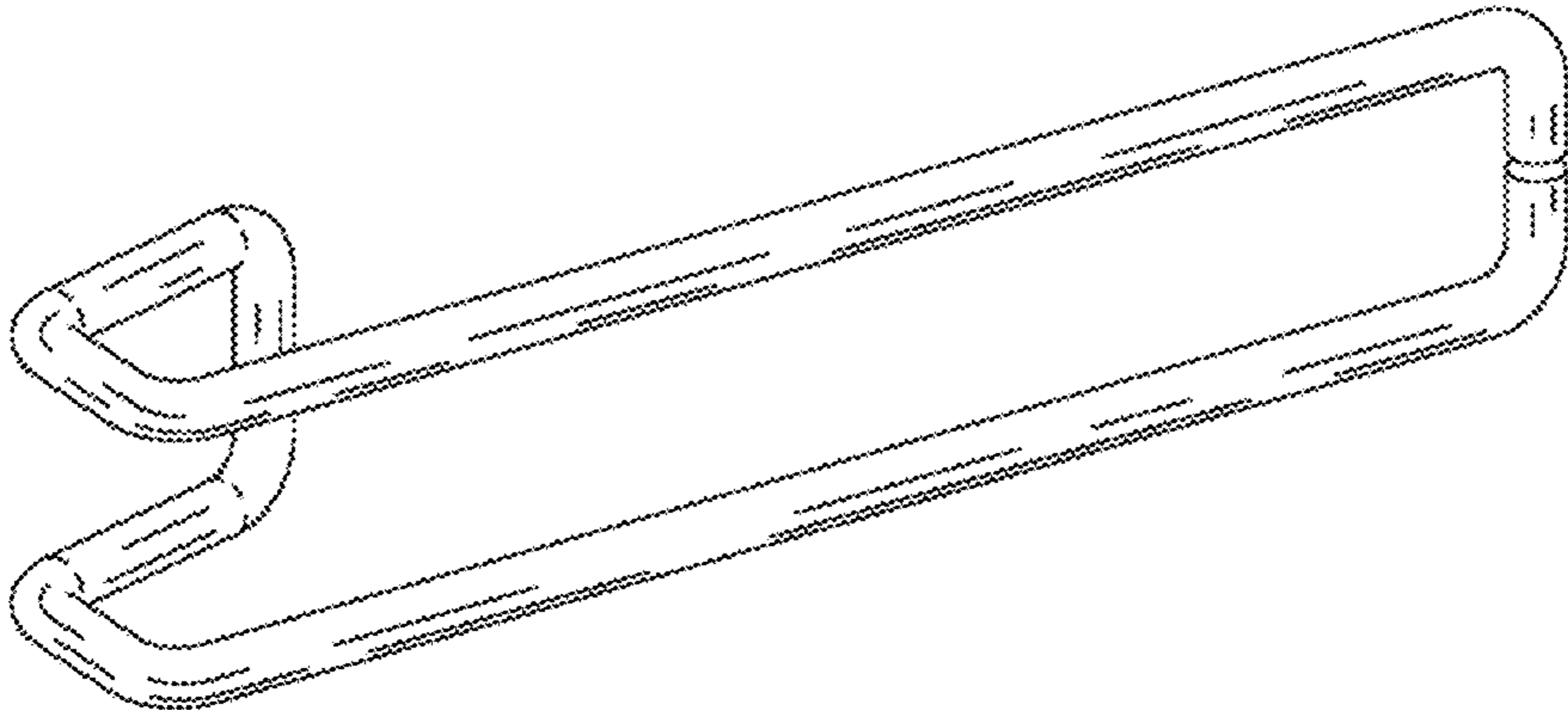


FIG. 2



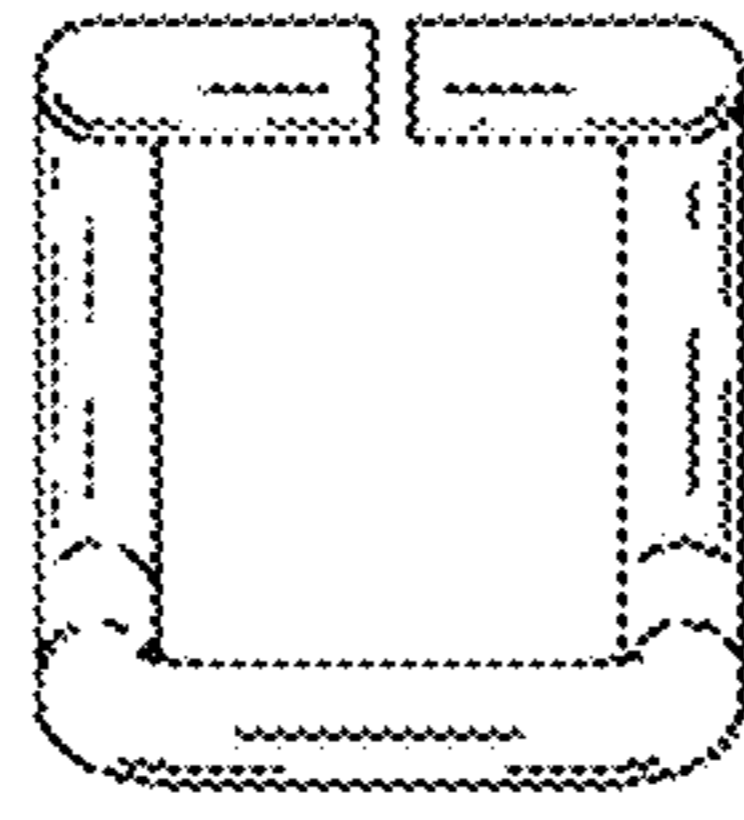


FIG. 6

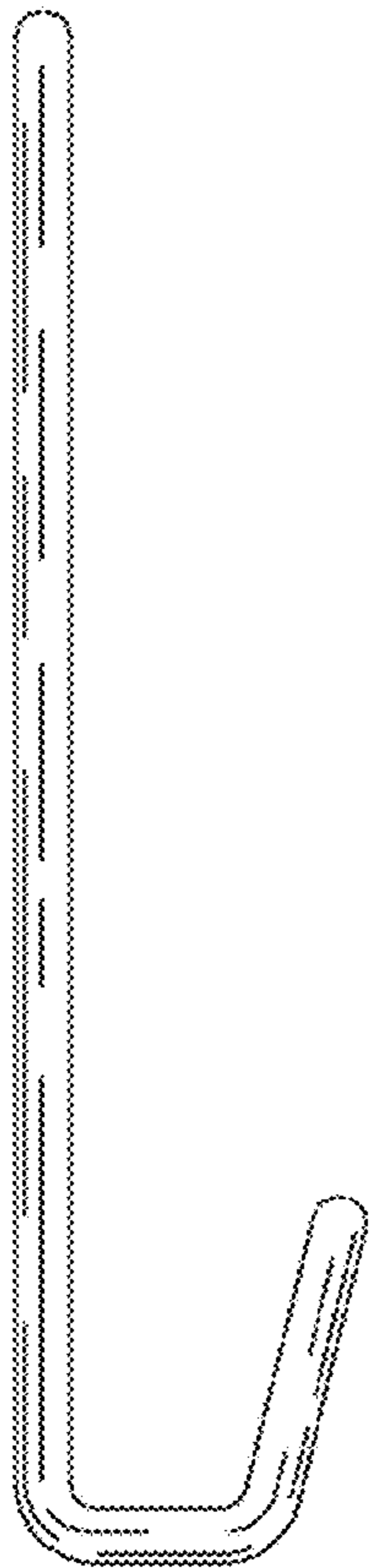


FIG. 4

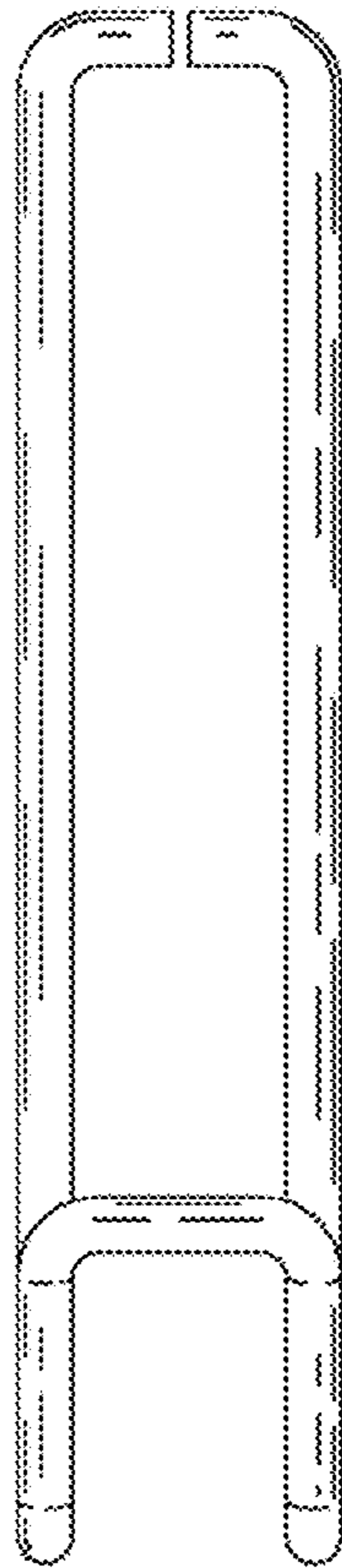


FIG. 3

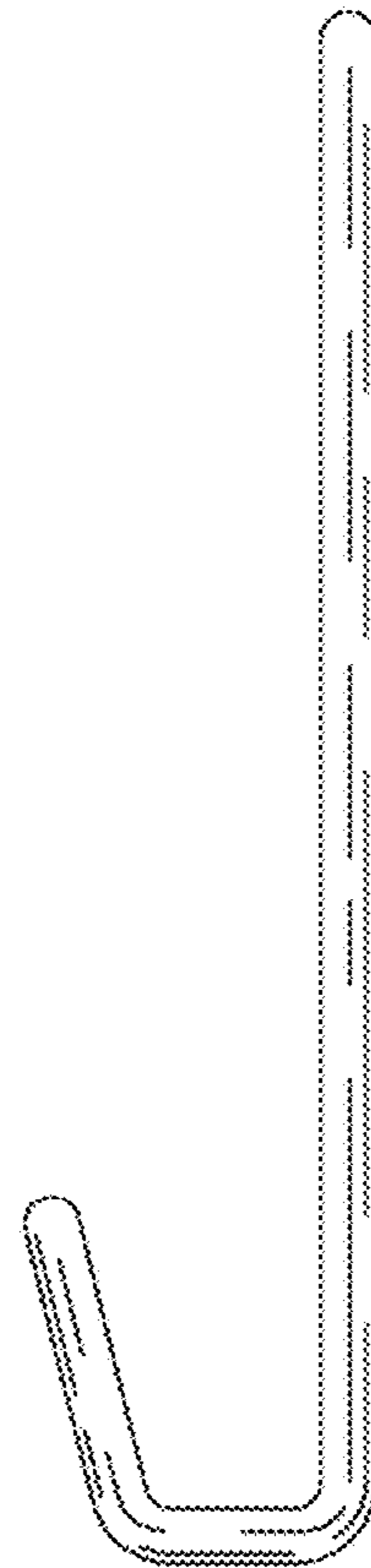


FIG. 5

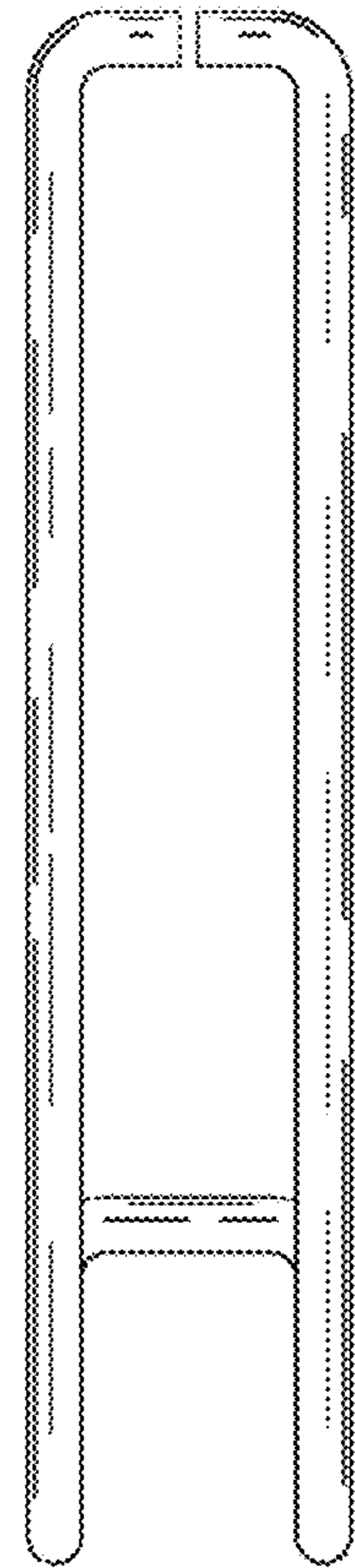


FIG. 8

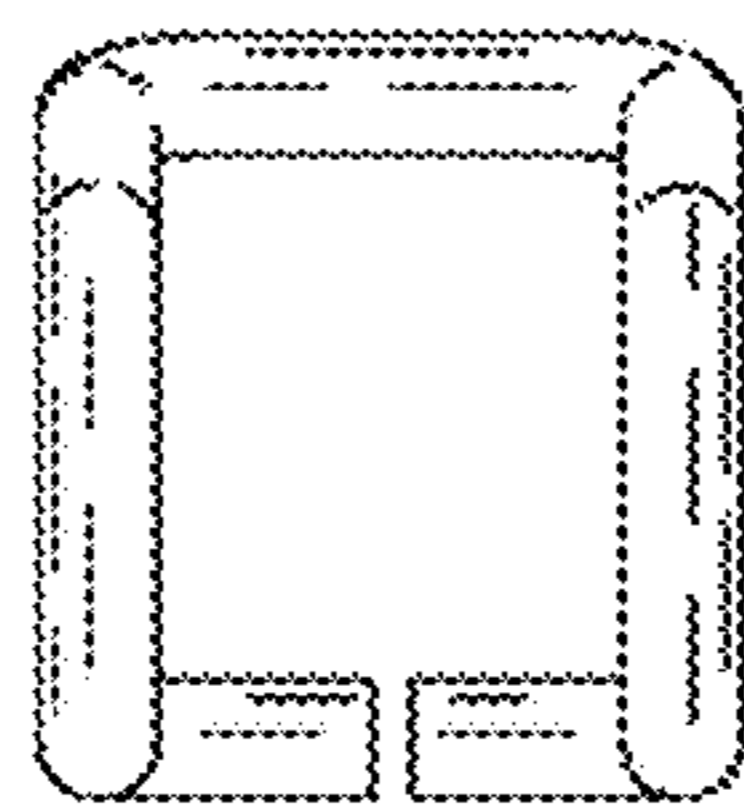


FIG. 7