



US00D917776S

(12) **United States Design Patent**
Roys et al.

(10) **Patent No.:** **US D917,776 S**
(45) **Date of Patent:** **** Apr. 27, 2021**

- (54) **END CAP FOR AN LED STICK**
- (71) Applicants: **Curtis Alan Roys**, Fredericksburg, TX (US); **Sidney Howard Norton**, Odessa, TX (US)
- (72) Inventors: **Curtis Alan Roys**, Fredericksburg, TX (US); **Sidney Howard Norton**, Odessa, TX (US)

5,688,042 A	11/1997	Madadi et al.	
6,210,019 B1	4/2001	Weathers	
D448,096 S	9/2001	Choi	
6,502,952 B1 *	1/2003	Hartley	F21L 4/027 257/E25.02
D477,093 S	7/2003	Moriyama et al.	
D506,274 S	6/2005	Moriyama et al.	
D513,079 S	12/2005	Kluijfhout et al.	

(Continued)

- (**) Term: **15 Years**
- (21) Appl. No.: **29/719,529**
- (22) Filed: **Jan. 6, 2020**

FOREIGN PATENT DOCUMENTS

CN	201487639 U	5/2010
CN	202901882 U	4/2013

(Continued)

Primary Examiner — Mark A Goodwin
Assistant Examiner — Benjamin M Weeks
 (74) *Attorney, Agent, or Firm* — Scheinberg & Associates, PC; Michael O. Scheinberg

- Related U.S. Application Data**
- (62) Division of application No. 29/641,063, filed on Mar. 19, 2018, now Pat. No. Des. 872,353, which is a division of application No. 15/219,246, filed on Jul. 25, 2016, now Pat. No. 10,222,005, which is a division of application No. 29/568,321, filed on Jun. 16, 2016, now Pat. No. Des. 811,627.

- (51) **LOC (13) Cl.** **26-05**
- (52) **U.S. Cl.**
USPC **D26/138**

- (58) **Field of Classification Search**
USPC D26/1, 24, 26-28, 37-50, 35, 36, 61, 62, D26/63, 64, 65, 66, 71, 72, 73, 74, 75, D26/87, 89, 76, 78, 79, 80, 81, 82, 83, D26/85, 86, 88, 90, 113, 118, 119, 120, D26/121
CPC F21S 2/00; F21S 4/00; F21S 4/003; F21S 4/005; F21S 4/006; F21S 4/007; F21S 4/008; F21S 6/00; F21S 8/00; F21S 8/024; F21S 8/026; F21S 8/031
See application file for complete search history.

- (56) **References Cited**
U.S. PATENT DOCUMENTS

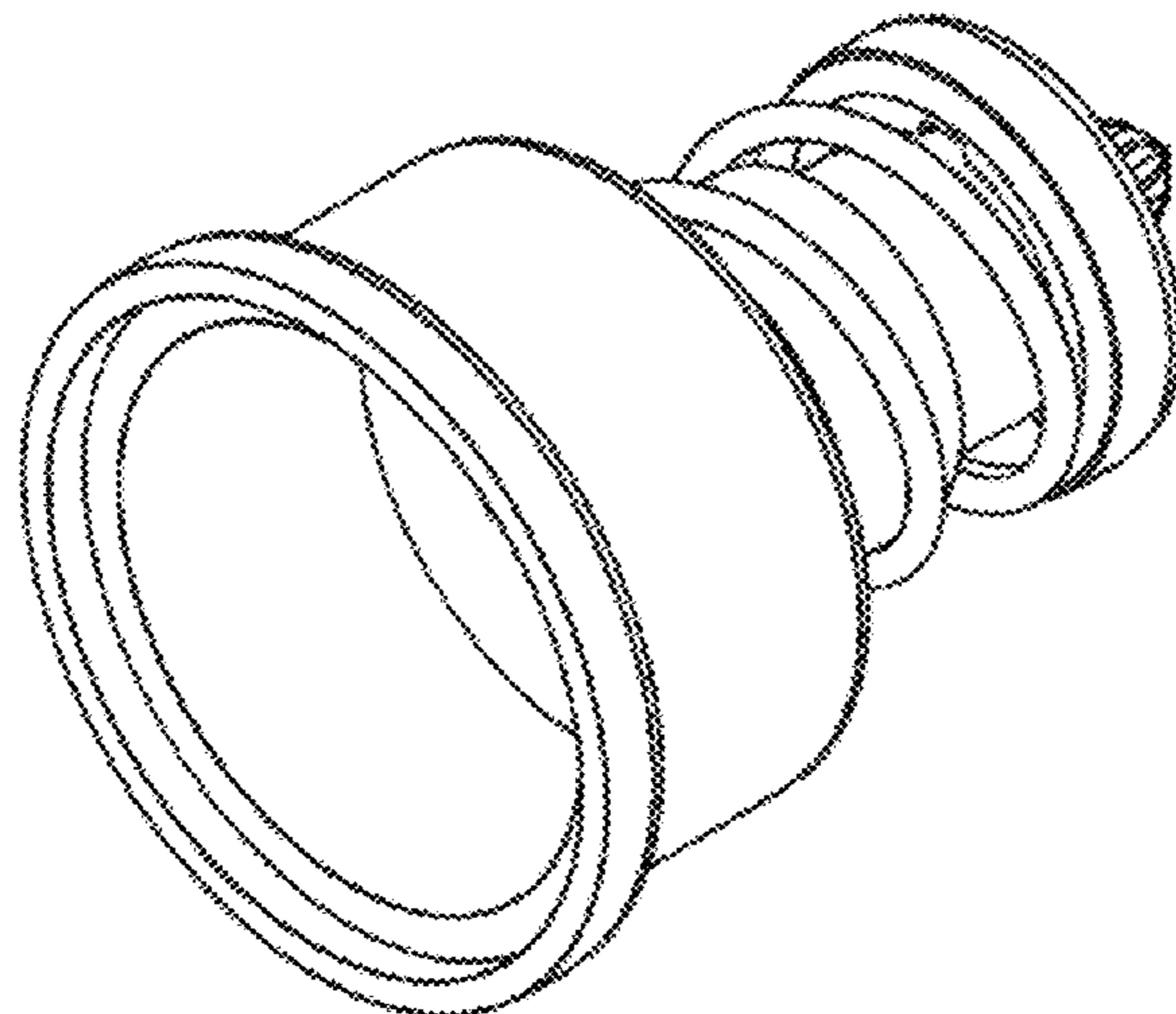
4,617,615 A *	10/1986	Eychaner	F21S 8/00 362/216
D291,556 S	8/1987	Engel	

- (57) **CLAIM**
We claim the ornamental design for an end cap for an LED stick, as shown and described.

DESCRIPTION

FIG. 1 is an isometric view of an end cap for an LED stick, showing my new design;
 FIG. 2 is front elevation thereof;
 FIG. 3 is rear elevation thereof;
 FIG. 4 is a right elevation thereof;
 FIG. 5 is a top plan view thereof;
 FIG. 6 is a cross-sectional view thereof, taken along line 6-6 shown in FIG. 4; and,
 FIG. 7 is an exploded view thereof.
 The left elevation is a mirror image of the right elevation and the bottom plan view is the same as the top plan view, but rotated 180 degrees.

1 Claim, 4 Drawing Sheets



(56)

References Cited

U.S. PATENT DOCUMENTS

D514,515 S 2/2006 Wiskerke
 D516,511 S 3/2006 Wiskerke
 7,052,171 B1 5/2006 Lefebvre et al.
 D546,765 S 7/2007 Ciancanelli et al.
 D557,452 S 12/2007 Kitagawa et al.
 D584,429 S 1/2009 Pei et al.
 7,488,086 B2 2/2009 Wu et al.
 7,520,628 B1* 4/2009 Sloan E04H 4/14
 362/101
 D594,999 S 6/2009 Uchida et al.
 D601,726 S 10/2009 Mollaert et al.
 D603,085 S 10/2009 Kovacs et al.
 D603,086 S 10/2009 Zayas
 D610,724 S 2/2010 Chiang et al.
 D616,822 S 6/2010 Zayas
 D633,870 S* 3/2011 Thommes D13/139.1
 D639,993 S* 6/2011 Mier-Langner F21S 8/02
 D26/74
 7,976,196 B2 7/2011 Ivey et al.
 8,075,167 B2 12/2011 Shin
 D663,865 S* 7/2012 Betsuda D13/180
 8,232,713 B2 7/2012 Li et al.
 8,328,386 B2 12/2012 Catalano et al.
 8,419,223 B2 4/2013 Withers
 8,434,914 B2 5/2013 Li et al.
 D685,519 S* 7/2013 Teranishi D26/118
 8,474,998 B2 7/2013 Wang et al.
 8,573,813 B2 11/2013 Ivey et al.
 8,636,391 B2 1/2014 Dellian et al.
 D700,387 S* 2/2014 Snell D26/74
 D700,578 S 3/2014 Cheng
 D702,866 S* 4/2014 Blincoe D26/63
 8,840,265 B2 9/2014 Moon et al.
 D715,987 S 10/2014 Pugh
 D729,418 S* 5/2015 Baum D26/1
 D744,127 S 11/2015 Glachman
 D745,722 S* 12/2015 Smith D26/28
 D746,508 S* 12/2015 Deluca D26/118
 D747,818 S* 1/2016 Popper D26/1
 D761,453 S* 7/2016 Sorokin D26/24
 9,441,819 B2 9/2016 Randolph et al.
 9,500,340 B2* 11/2016 Stone A61B 1/0684
 D783,198 S 4/2017 Cartellone et al.
 D783,199 S 4/2017 Cartellone et al.
 9,651,224 B1 5/2017 Burgess et al.
 D796,701 S* 9/2017 Moon D26/1
 D796,729 S 9/2017 Sonneman
 D797,323 S 9/2017 Yang et al.
 D797,336 S* 9/2017 Inskeep D26/49
 D801,574 S 10/2017 Amato et al.
 D803,470 S 11/2017 Austin
 D803,784 S 11/2017 Wadhvani
 9,851,054 B2 12/2017 Vincent
 D809,703 S 2/2018 Lin et al.
 D811,627 S 2/2018 Roys
 9,995,471 B2 6/2018 Huang et al.
 D822,889 S 7/2018 Cartellone et al.
 D825,829 S 8/2018 Guo
 D831,879 S 10/2018 Minale et al.
 10,101,011 B2 10/2018 Markey et al.
 D833,046 S* 11/2018 Jiang D26/28

D833,050 S* 11/2018 Prieto D26/49
 D835,304 S* 12/2018 Hirabayashi D26/1
 D835,314 S* 12/2018 Sun D26/43
 D840,083 S 2/2019 Crosby
 D840,084 S 2/2019 Crosby
 D844,769 S 4/2019 McRoberts et al.
 D867,653 S 11/2019 Gorman
 D868,349 S 11/2019 Roys et al.
 10,487,990 B2* 11/2019 Gielen F21V 23/002
 D879,261 S* 3/2020 Nicolia D23/265
 2004/0056600 A1 3/2004 Lapatovich et al.
 2004/0062041 A1 4/2004 Cross et al.
 2005/0185396 A1 8/2005 Kutler
 2009/0027916 A1 1/2009 Huang et al.
 2009/0073693 A1 3/2009 Nall et al.
 2009/0091929 A1 4/2009 Faubion
 2010/0008085 A1 1/2010 Ivey et al.
 2010/0102730 A1 4/2010 Simon et al.
 2010/0135020 A1 6/2010 Moore
 2011/0019413 A1 1/2011 Zimmerman et al.
 2011/0141729 A1 6/2011 Yang et al.
 2011/0235319 A1 9/2011 Fukano et al.
 2012/0008316 A1 1/2012 Ivey
 2012/0074631 A1 3/2012 Li et al.
 2012/0124874 A1 5/2012 Breihof
 2012/0161666 A1 6/2012 Antony et al.
 2013/0027924 A1 1/2013 Shimizu et al.
 2013/0223052 A1 8/2013 Simon et al.
 2014/0153231 A1 6/2014 Bittmann
 2014/0160742 A1 6/2014 Rodgers et al.
 2014/0301069 A1 10/2014 Hwu et al.
 2014/0334142 A1 11/2014 Levante et al.
 2015/0016099 A1 1/2015 Khanampornpan
 2015/0092413 A1 4/2015 Li et al.
 2015/0184838 A1 7/2015 Li et al.
 2016/0018062 A1 1/2016 Zhang et al.
 2017/0023186 A1 1/2017 Norton et al.
 2017/0030530 A1 2/2017 Roys
 2017/0051882 A1 2/2017 Engel et al.

FOREIGN PATENT DOCUMENTS

CN 202915096 U 5/2013
 CN 103542273 A 1/2014
 DE 102009023055 A1 12/2010
 DE 102012211934 A1 1/2014
 DE 102014214603 A1 1/2016
 EP 2554895 A4 3/2014
 EP 3009732 A1 4/2016
 JP 2009116418 A 5/2009
 JP 2010123097 A 6/2010
 JP 2012156056 A 8/2012
 KR 1020130068957 6/2013
 WO 2011122518 A1 10/2011
 WO 2013082523 A1 6/2013
 WO 2013104624 A1 7/2013
 WO 2014048677 A1 4/2014
 WO 2014202361 A1 12/2014
 WO 2015120929 A1 8/2015
 WO 2016012124 A1 1/2016
 WO 2016012189 A1 1/2016
 WO 2017019644 A1 2/2017

* cited by examiner

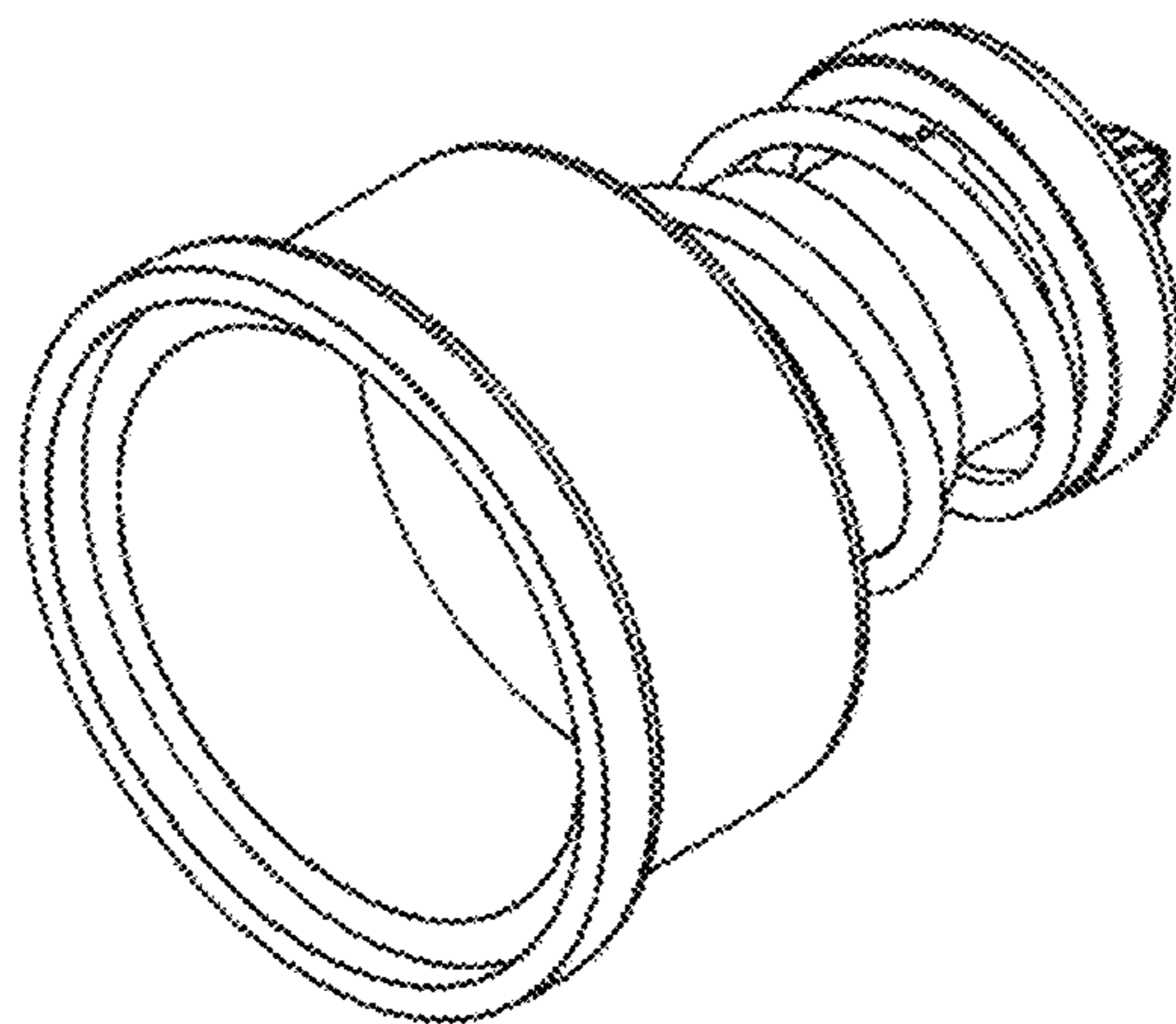


FIG. 1

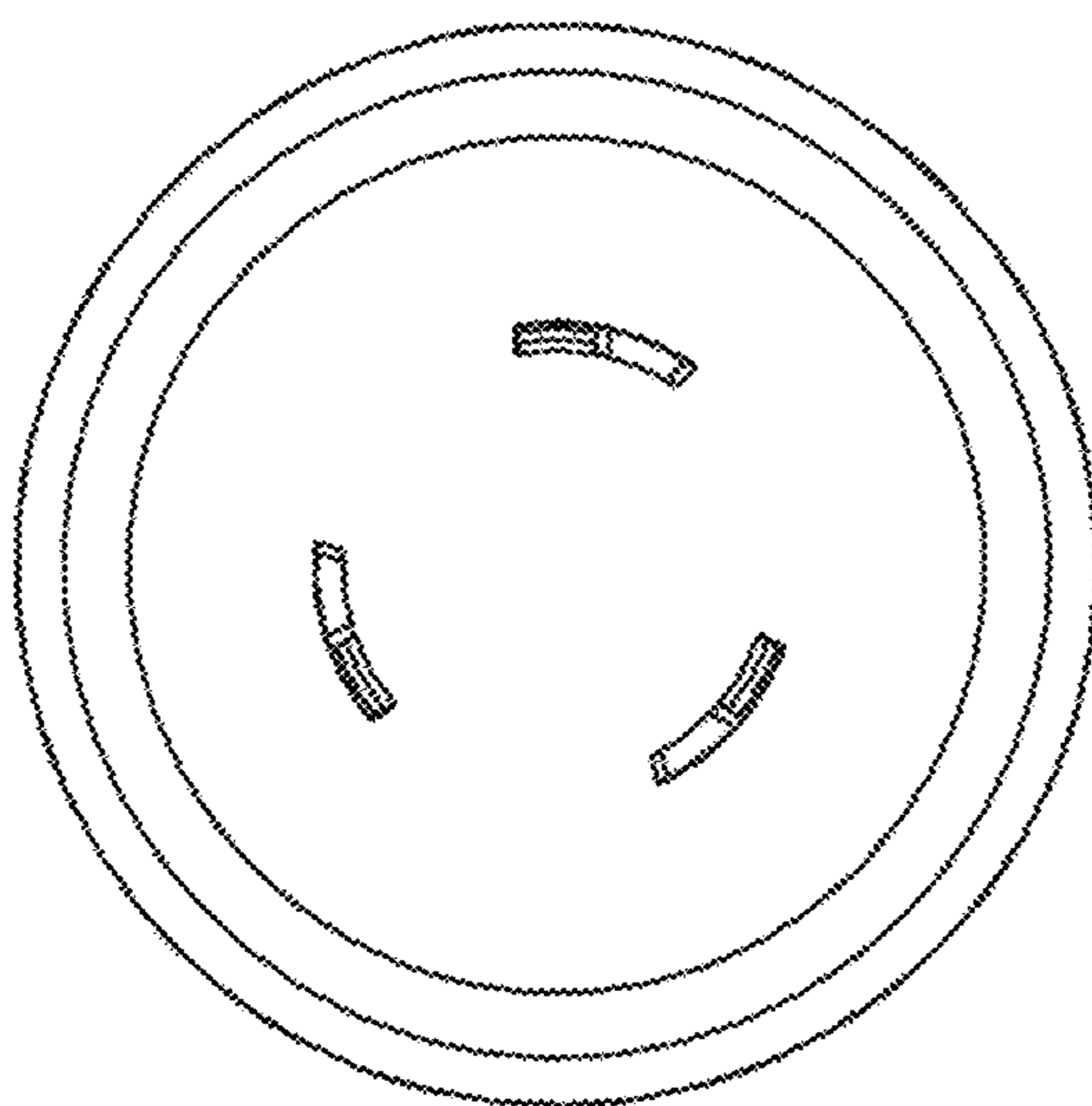


FIG. 2

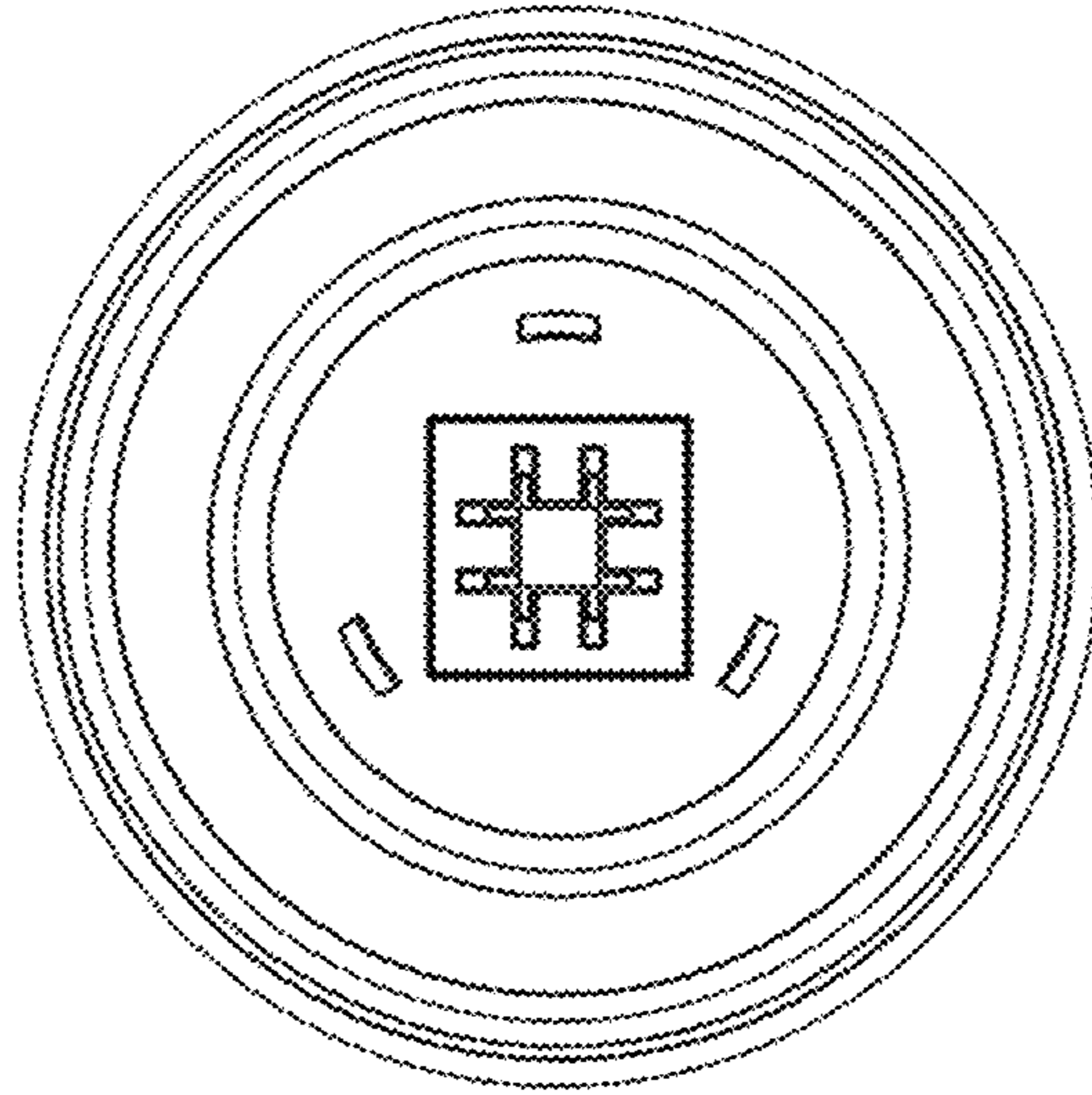


FIG. 3

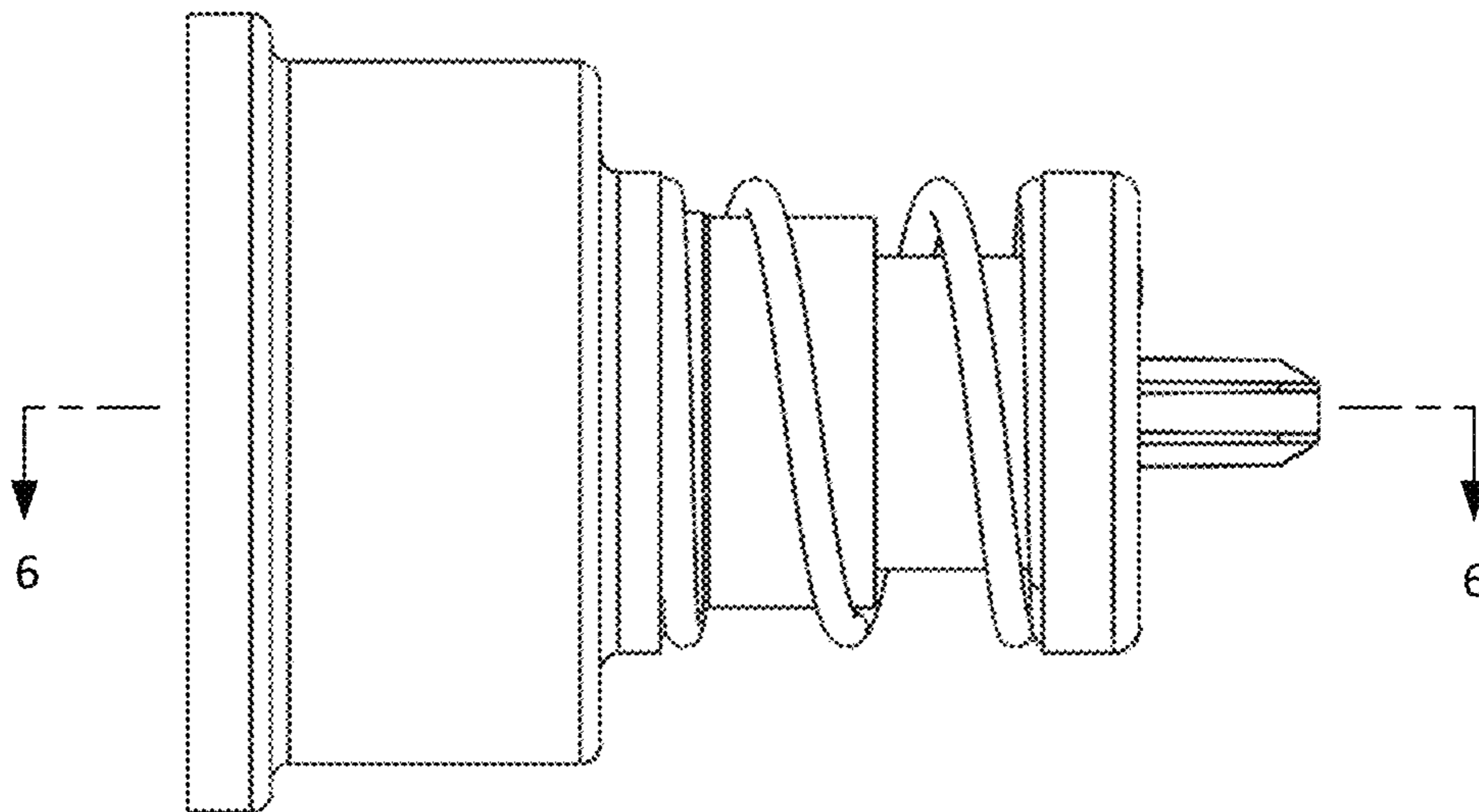


FIG. 4

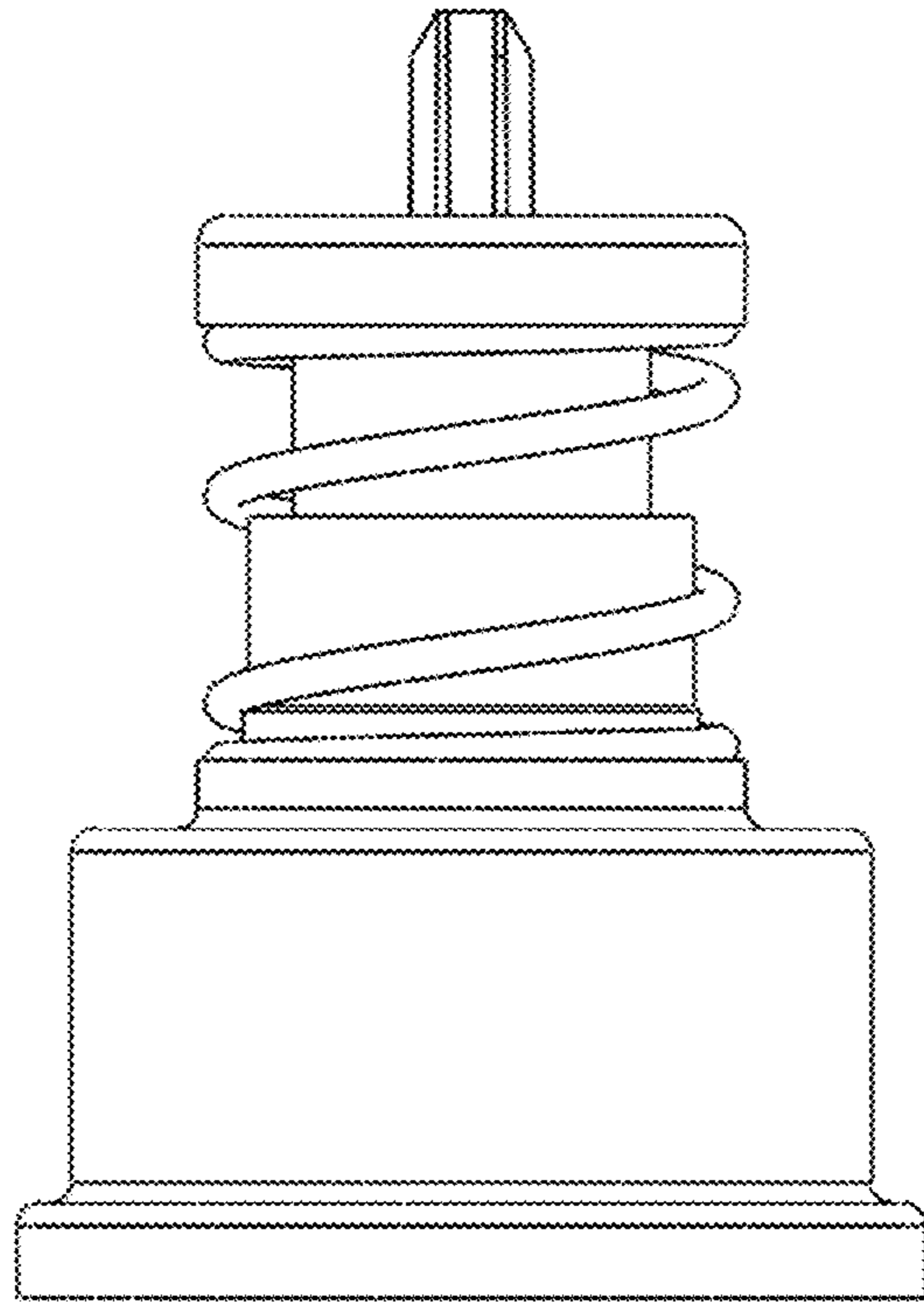


FIG. 5

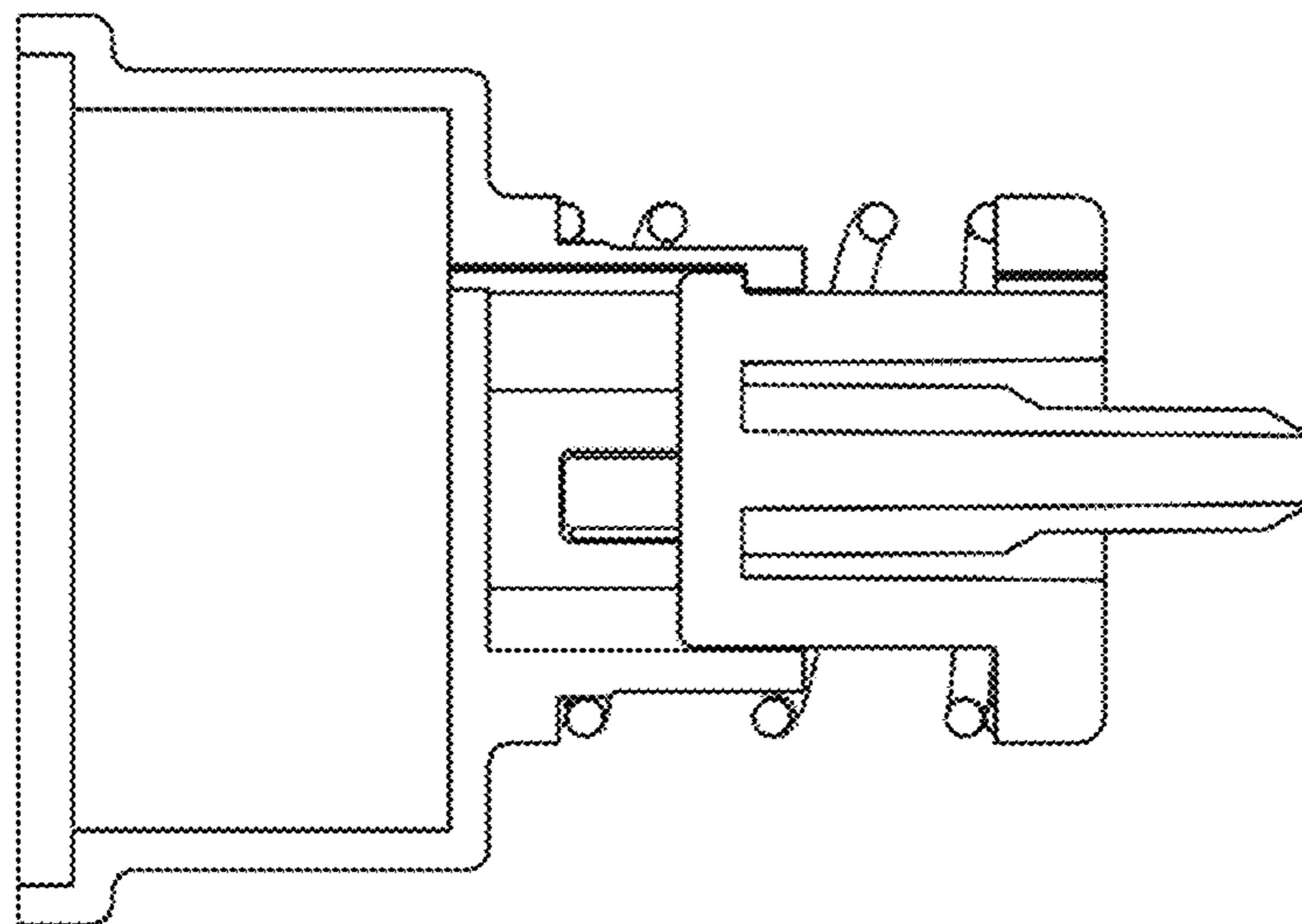


FIG. 6

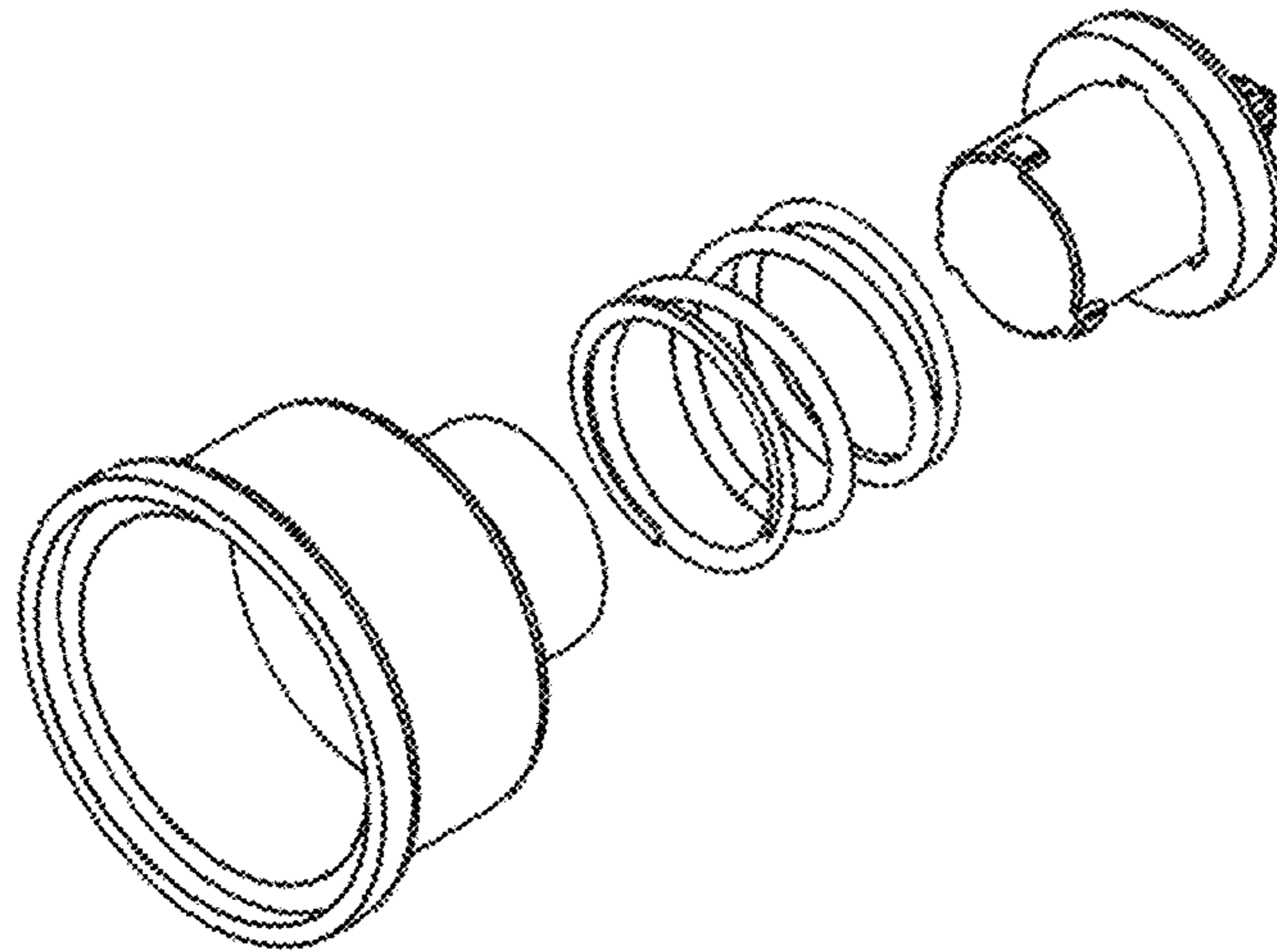


FIG. 7