



US00D917774S

(12) **United States Design Patent** (10) **Patent No.:** **US D917,774 S**
Wang (45) **Date of Patent:** **** Apr. 27, 2021**

(54) **LED LAMP**

(71) Applicant: **Quanzhou Viition Gifts Co., Ltd.**,
Fujian (CN)

(72) Inventor: **Peijun Wang**, Fujian (CN)

(**) Term: **15 Years**

(21) Appl. No.: **29/721,391**

(22) Filed: **Jan. 21, 2020**

(51) **LOC (13) Cl.** **26-03**

(52) **U.S. Cl.**
USPC **D26/110**

(58) **Field of Classification Search**
USPC D26/93, 104, 106, 110, 112
CPC F21V 3/00; F21V 5/007; F21W 2121/00;
F21W 2131/30; F21S 6/00; F21S 10/00;
F21S 10/06
See application file for complete search history.

(56) **References Cited**

U.S. PATENT DOCUMENTS

D544,117 S *	6/2007	Coushaine	D26/110
D544,618 S *	6/2007	Coushaine	D26/110
D561,925 S *	2/2008	Levine	D26/110
D577,458 S *	9/2008	Chan	D26/104
D581,081 S *	11/2008	Mier-Langner	D26/110
D583,091 S *	12/2008	Benensohn	D26/110

D607,600 S *	1/2010	Keith	D26/104
D831,268 S *	10/2018	Johnson	D26/110
2006/0250789 A1*	11/2006	Coushaine	F21S 9/02 362/157

* cited by examiner

Primary Examiner — Brian N. Vinson
(74) *Attorney, Agent, or Firm* — Prakash Nama; Global IP Services, PLLC

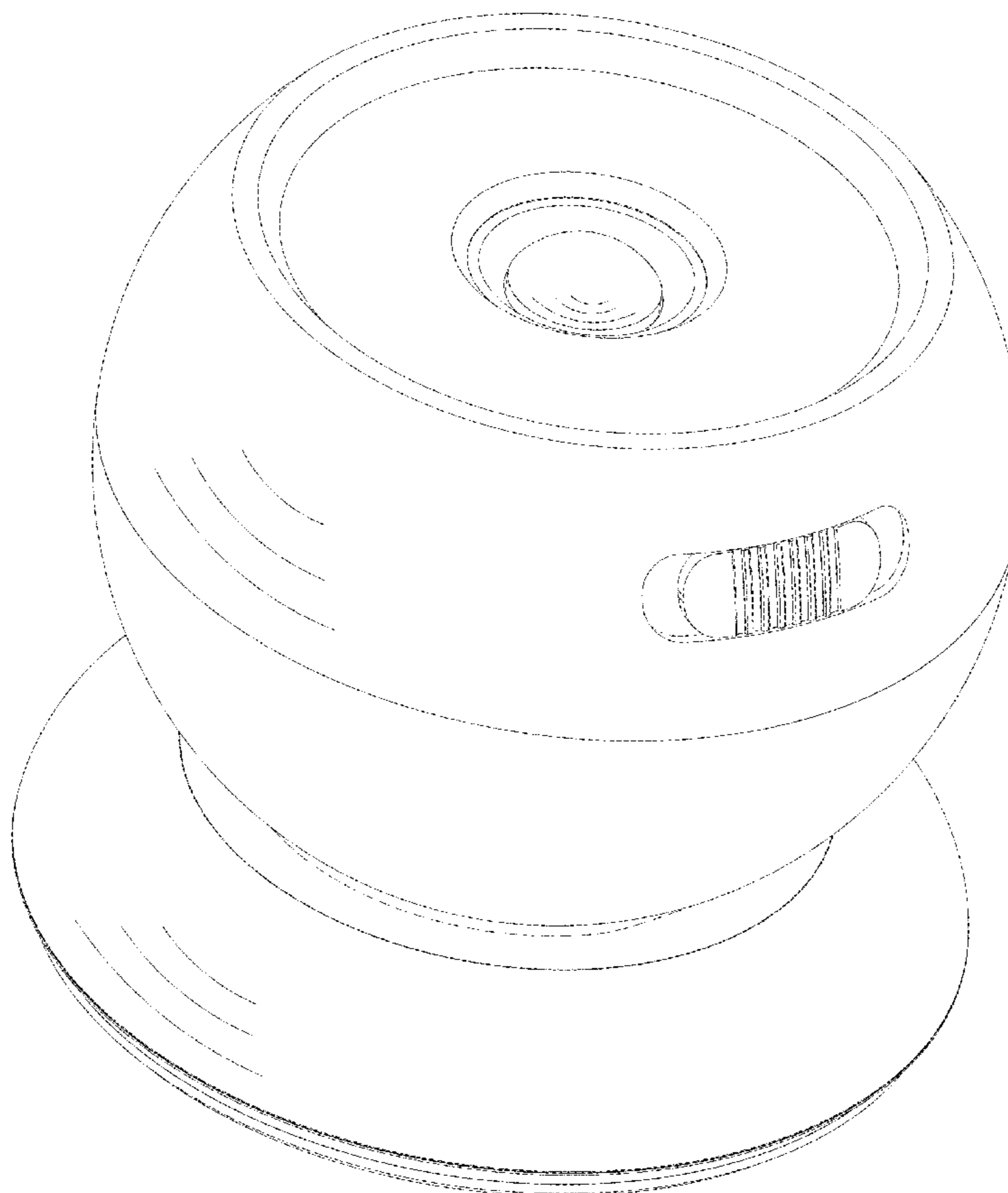
(57) **CLAIM**

The ornamental design for a LED lamp, as shown and described.

DESCRIPTION

FIG. 1 is a front elevational view of a LED lamp showing my new design;
FIG. 2 is a rear elevational view thereof;
FIG. 3 is a left side view thereof;
FIG. 4 is a right side view thereof;
FIG. 5 is a top plan view thereof;
FIG. 6 is a bottom plan view thereof;
FIG. 7 is a perspective view thereof; and,
FIG. 8 is another perspective view thereof.
The broken lines shown in LED lamp form no part of the claimed design.

1 Claim, 8 Drawing Sheets



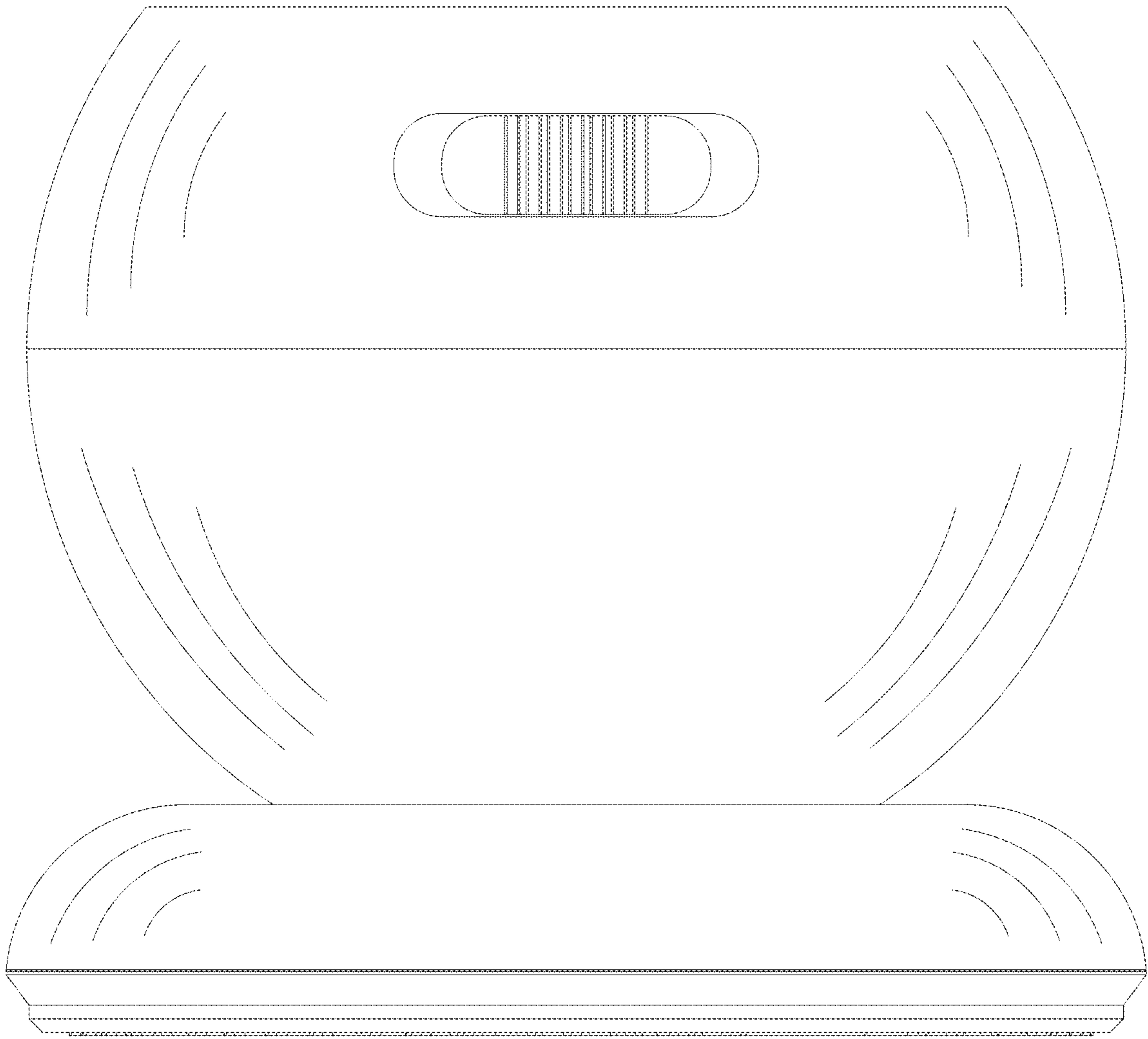


Fig. 1

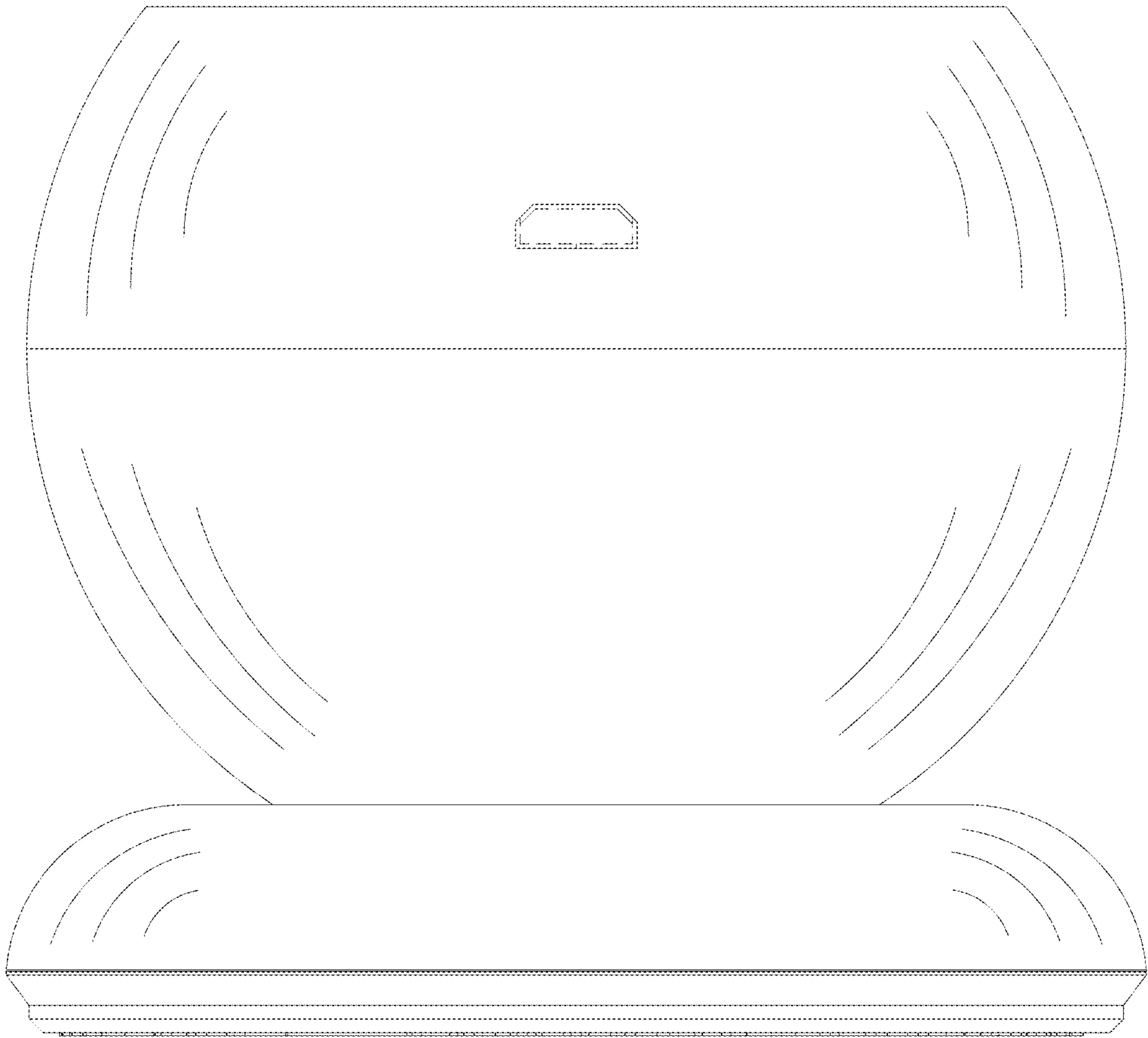


Fig. 2

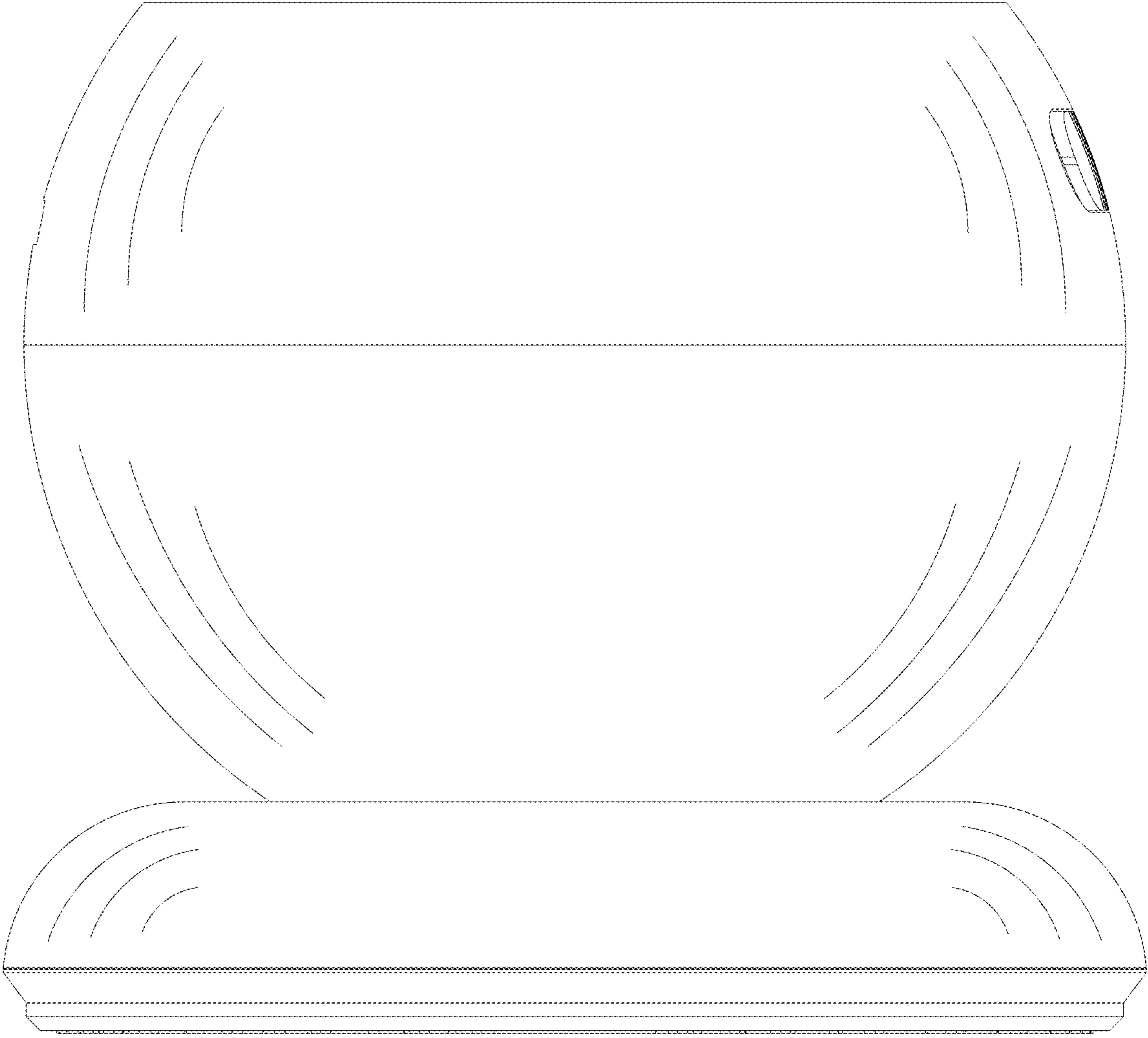


Fig. 3

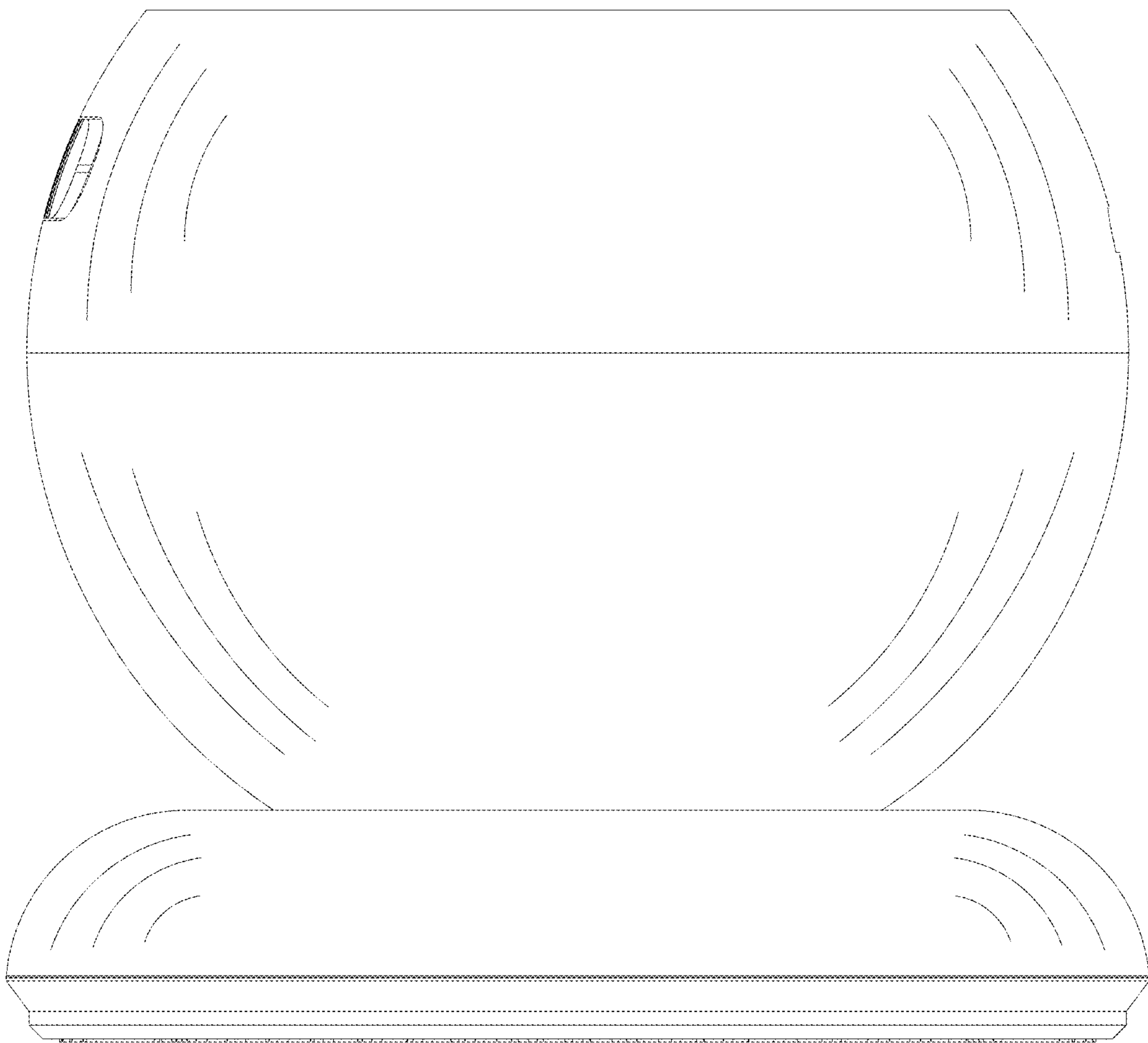


Fig. 4

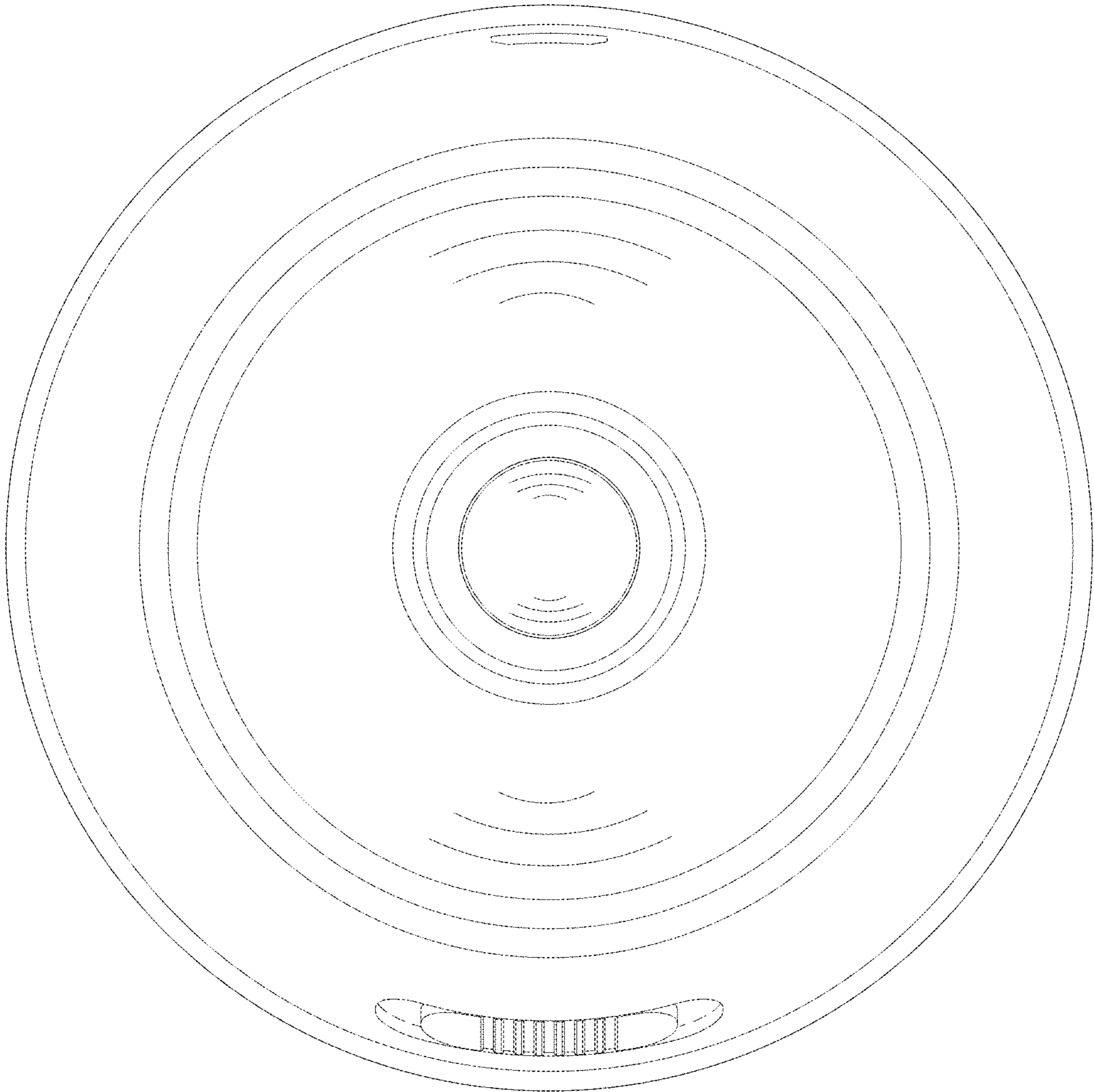


Fig. 5

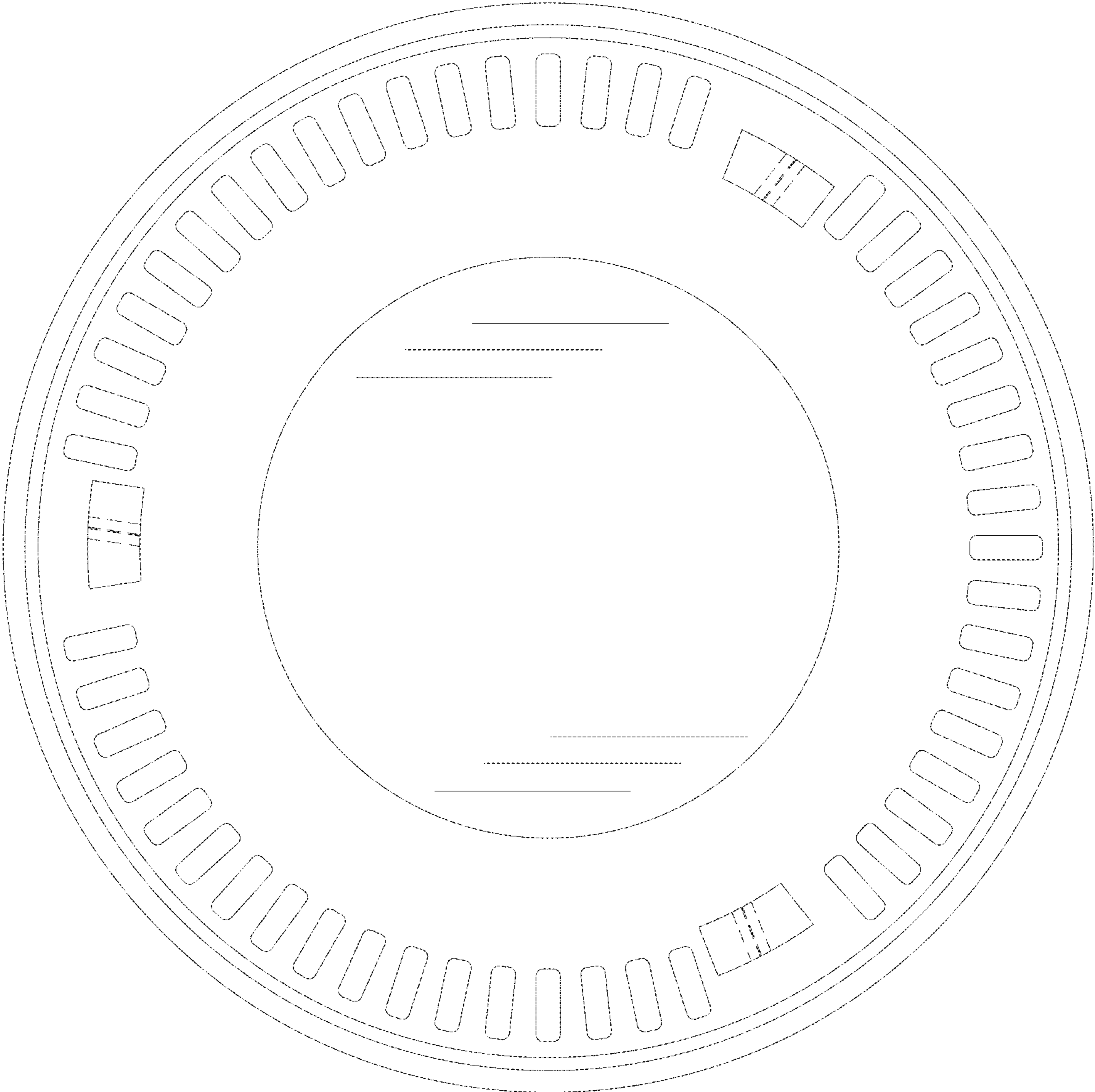


Fig. 6

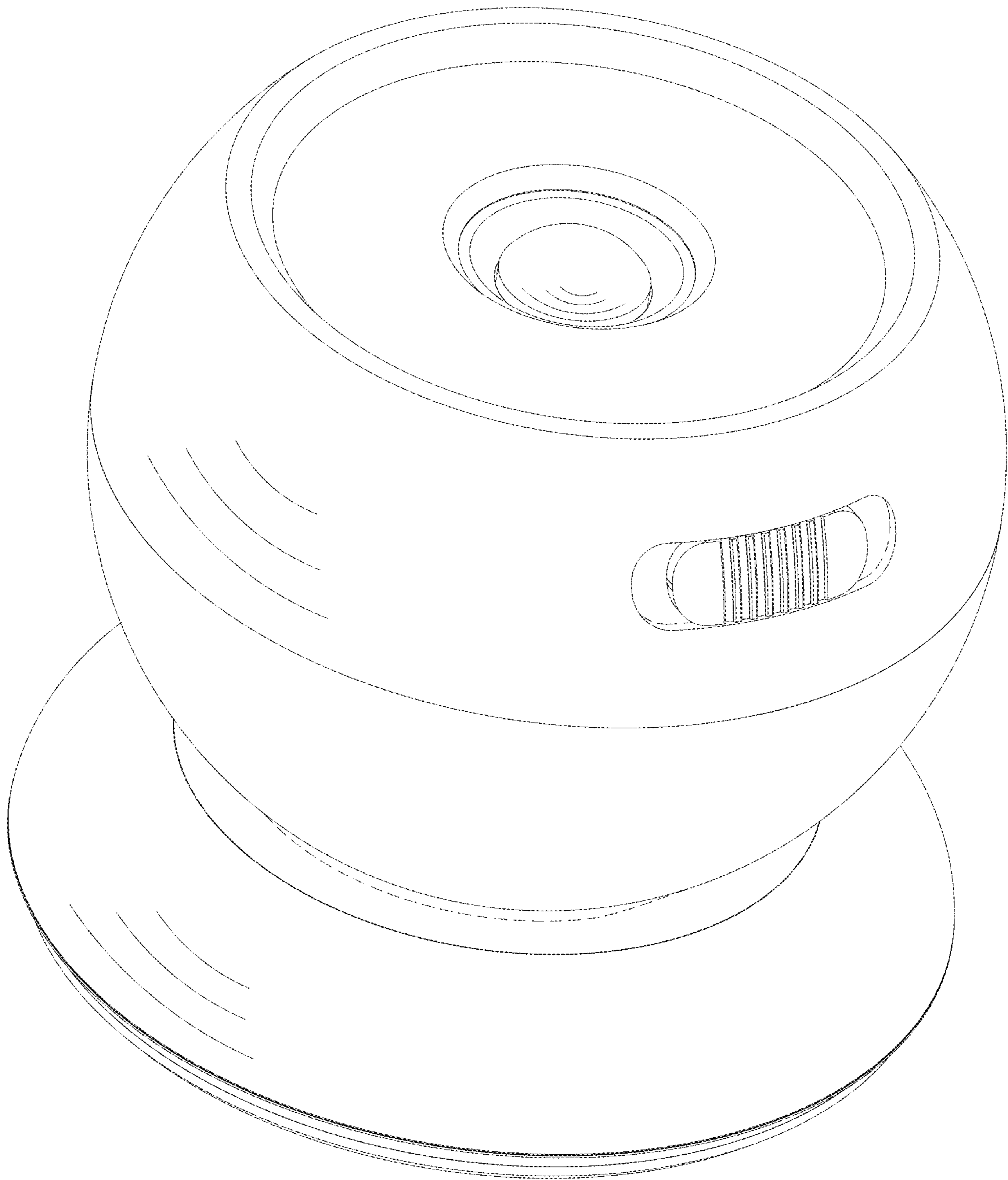


Fig. 7

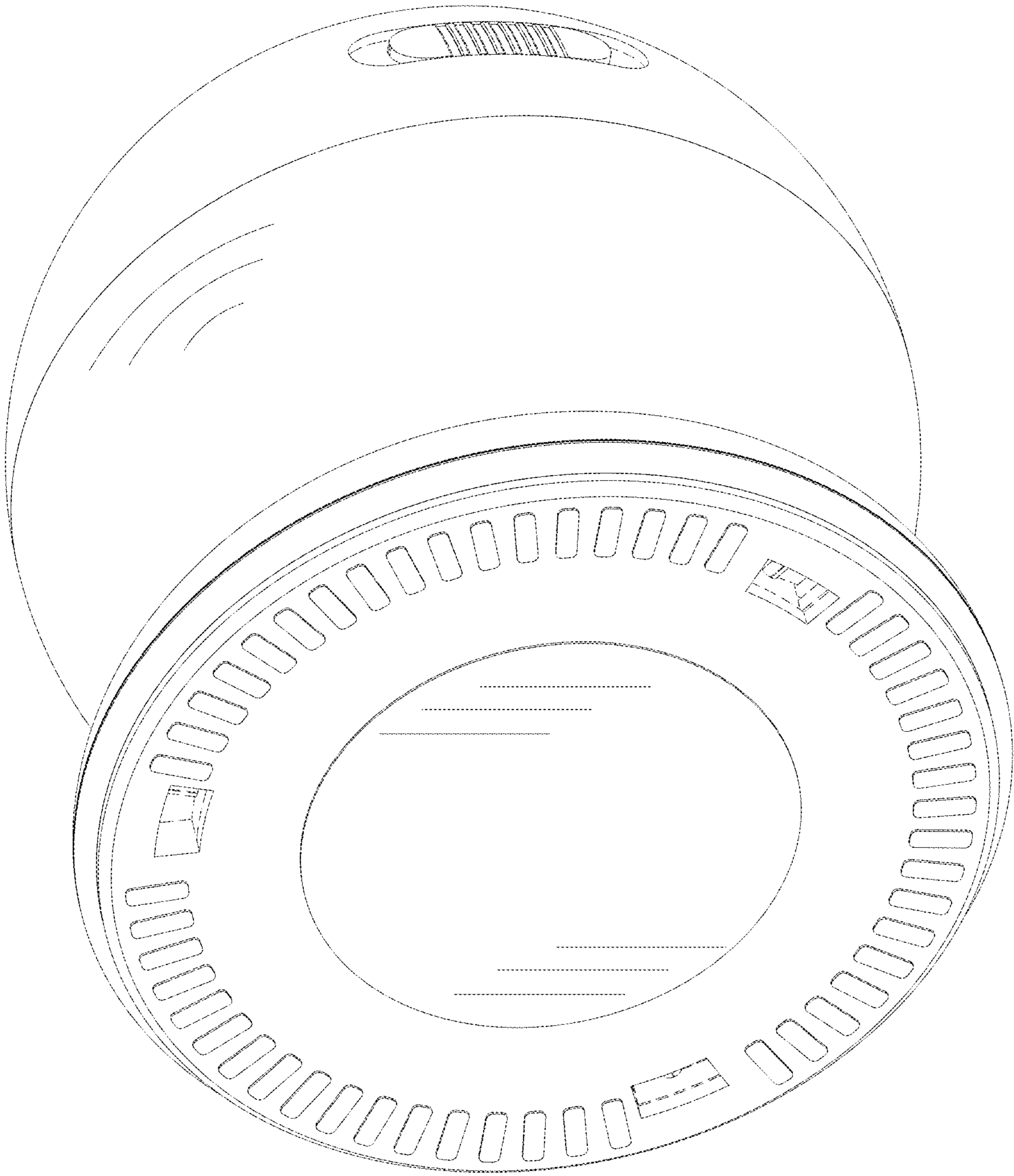


Fig. 8