

US00D917773S

(12) **United States Design Patent**
Amato et al.

(10) **Patent No.:** **US D917,773 S**

(45) **Date of Patent:** **** Apr. 27, 2021**

(54) **LIGHTING FIXTURE**

(71) Applicant: **The Urban Electric Company**, North Charleston, SC (US)

(72) Inventors: **Michael Amato**, London (GB); **David Dawson**, Charleston, SC (US); **Jonathan Charpia**, Summerville, SC (US); **Christopher Roof**, Charleston, SC (US); **Joeangel Casanova**, Brooklyn, NY (US); **Brianna Magagnoli**, North Charleston, SC (US); **Janis Golubeckis**, Mount Pleasant, SC (US)

(73) Assignee: **The Urban Electric Company**, North Charleston, SC (US)

(**) Term: **15 Years**

(21) Appl. No.: **29/696,996**

(22) Filed: **Jul. 3, 2019**

(51) **LOC (13) Cl.** **26-03**

(52) **U.S. Cl.**
USPC **D26/106**

(58) **Field of Classification Search**
USPC D26/93, 108, 112
CPC F21V 3/00; F21V 5/007; F21W 2131/406;
F21W 2121/006; F21S 6/00; F21S 6/002;
F21S 10/00; F21S 10/06
See application file for complete search history.

(56) **References Cited**

U.S. PATENT DOCUMENTS

D298,468 S *	11/1988	Ramella	D26/106
D412,593 S *	8/1999	Lin	D26/106
D497,014 S *	10/2004	Lee	D26/106
D514,247 S *	1/2006	Suzuki	D26/106
D767,812 S *	9/2016	Skira	D26/106

D779,704 S *	2/2017	Urquiola	D26/93
D806,304 S	12/2017	Amato et al.		
D821,629 S *	6/2018	Amato	D26/106

* cited by examiner

Primary Examiner — Brian N. Vinson

(74) *Attorney, Agent, or Firm* — Haynsworth Sinkler Boyd, P.A.

(57) **CLAIM**

The ornamental design for a lighting fixture, as shown and described.

DESCRIPTION

FIG. 1 is a front perspective view of a lighting fixture depicting a new design;

FIG. 2 is a back perspective view thereof;

FIG. 3 is a front elevational view thereof;

FIG. 4 is a back elevational view thereof;

FIG. 5 is a right elevational view thereof;

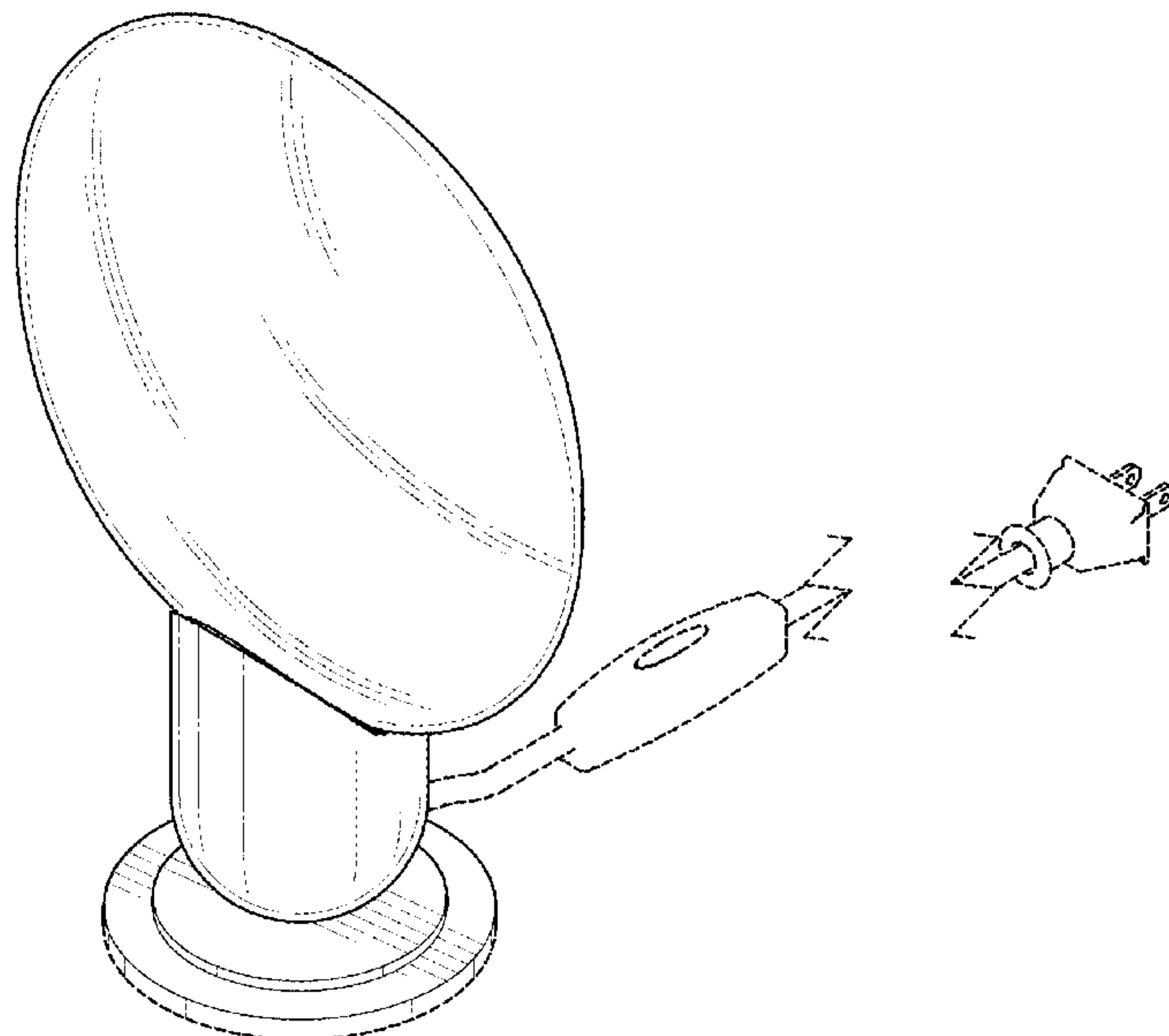
FIG. 6 is a left elevational view thereof;

FIG. 7 is a top plan view thereof; and,

FIG. 8 is a bottom plan view thereof.

The broken line disclosures in the views represent portions of the lighting fixture that form no part of the claimed design.

1 Claim, 8 Drawing Sheets



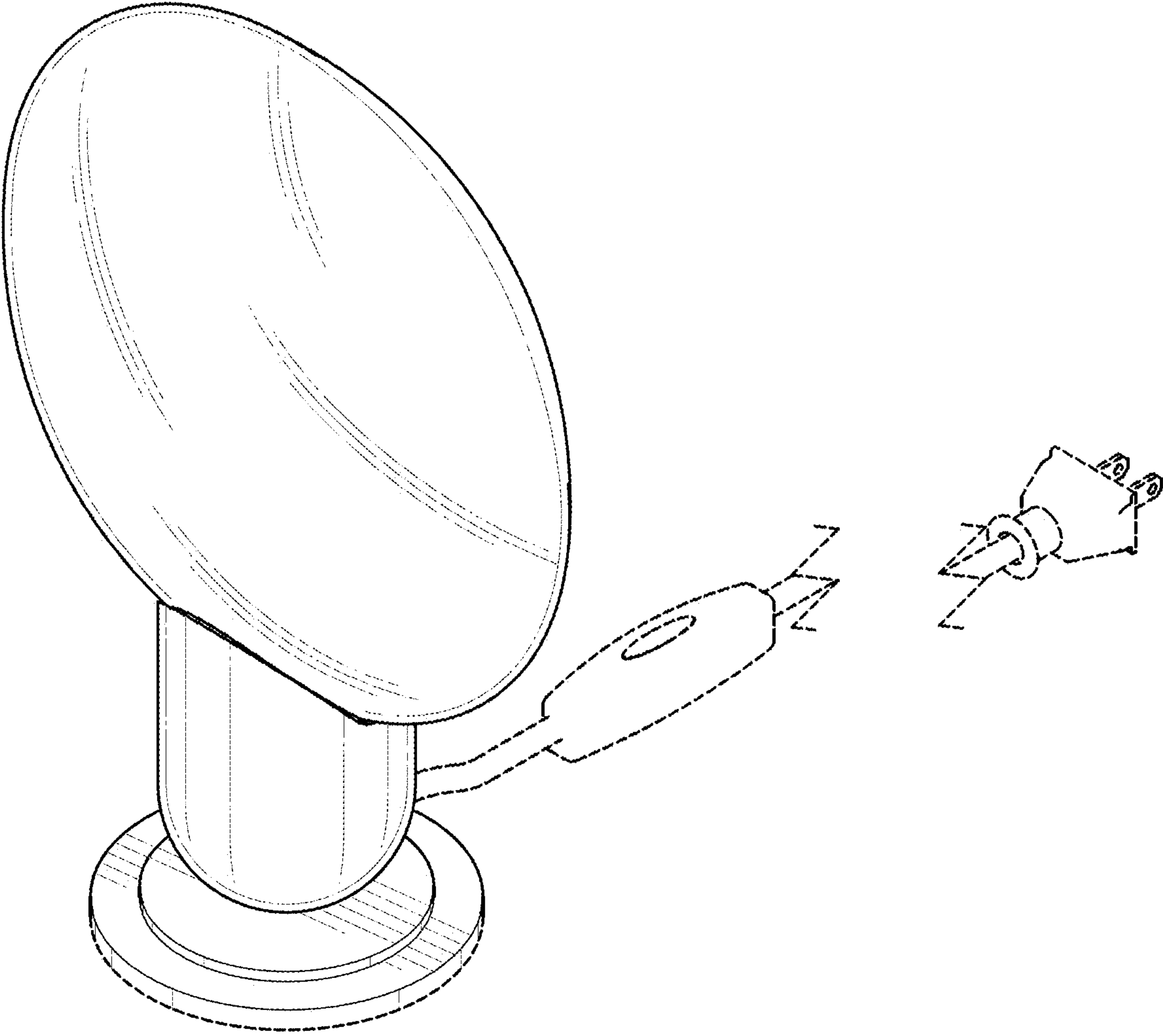


FIG. 1

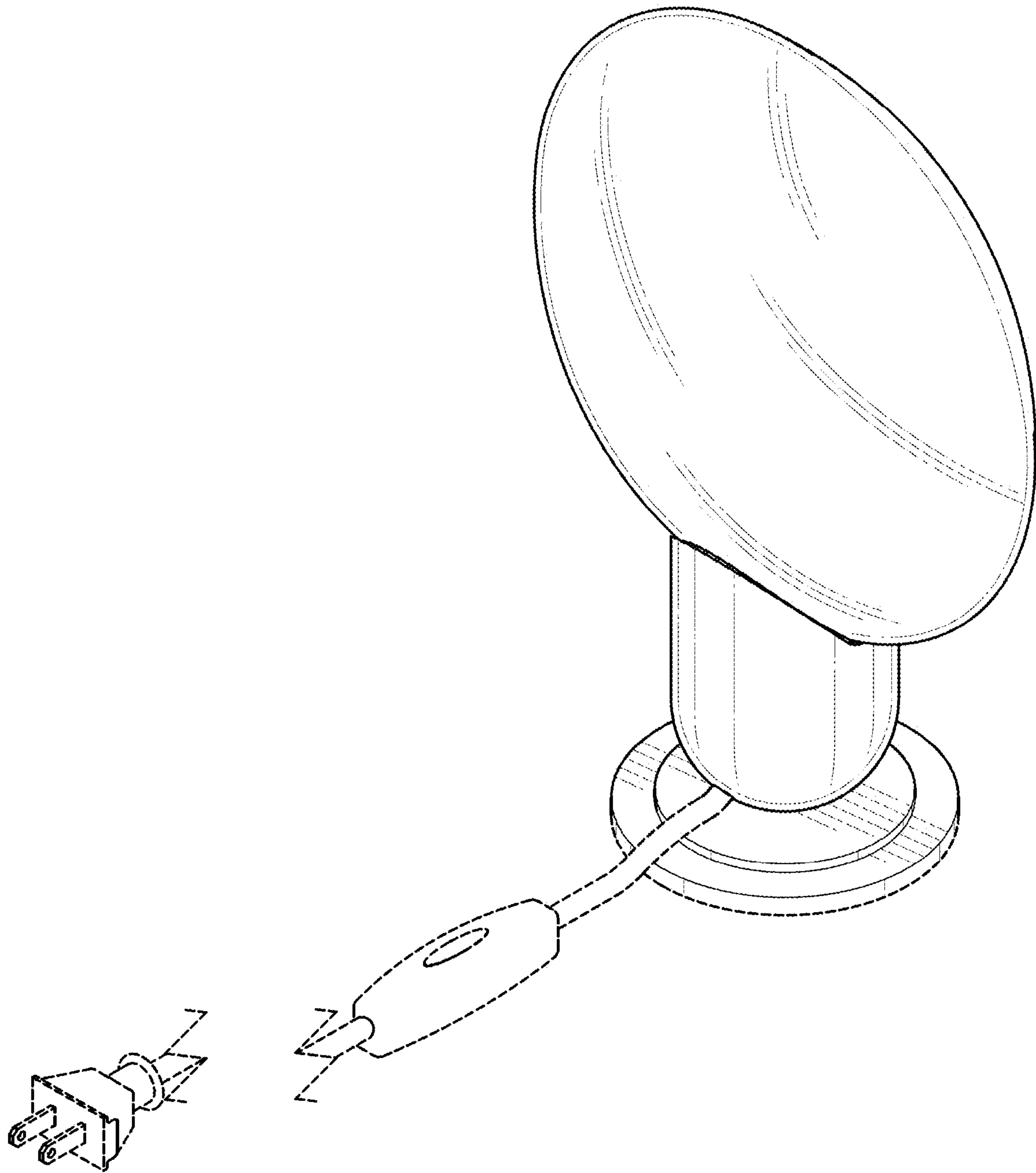


FIG. 2

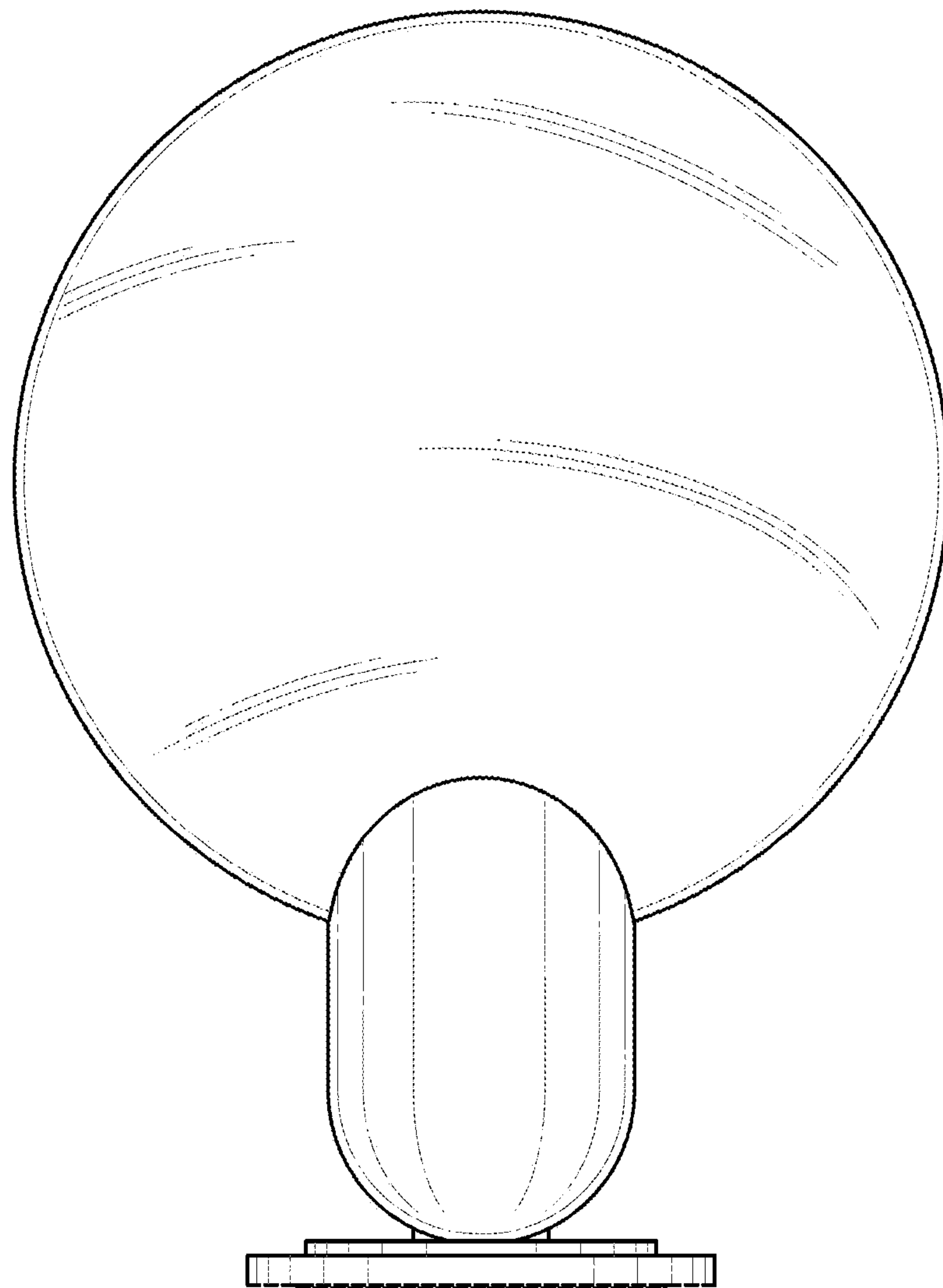


FIG. 3

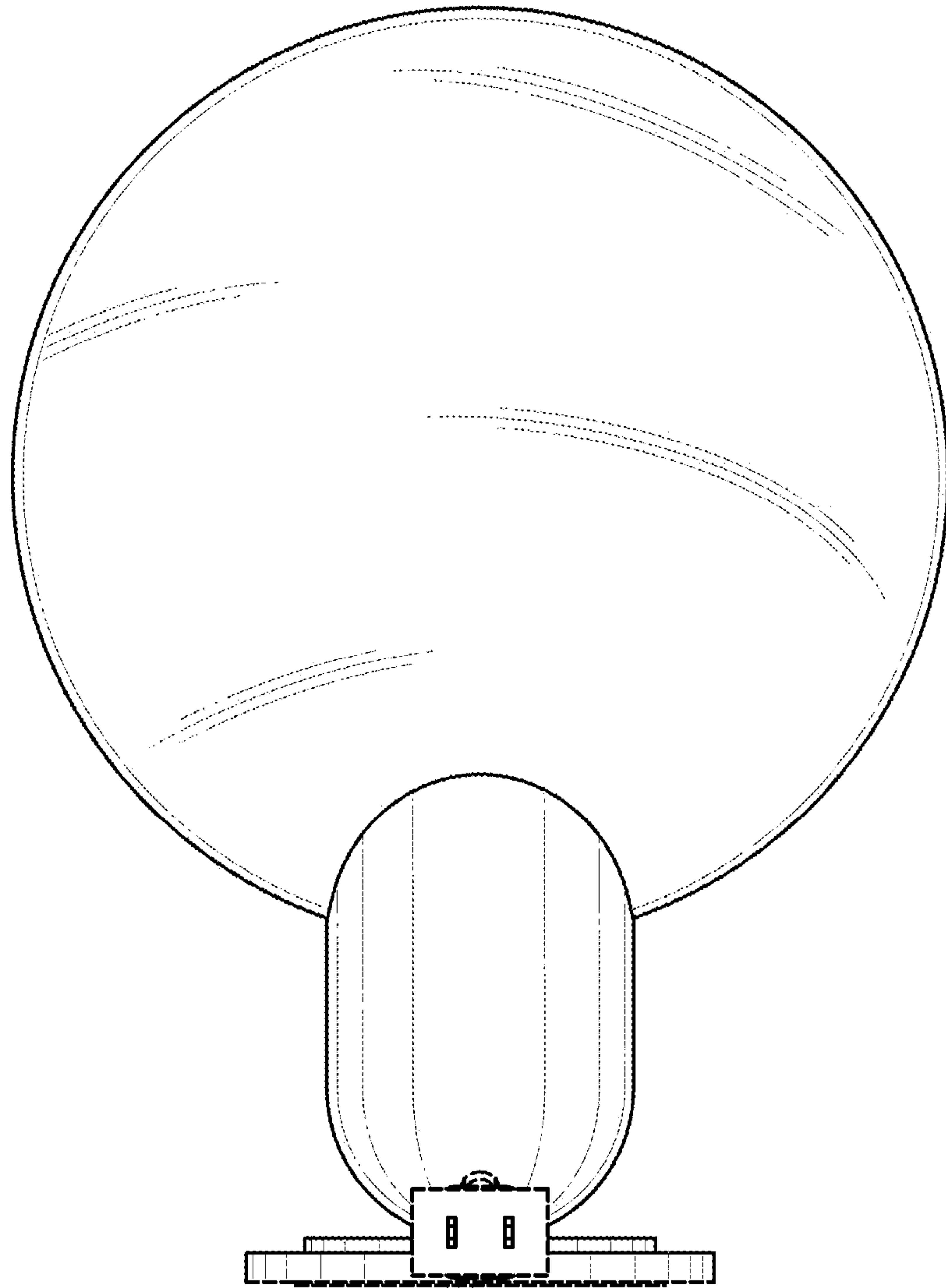


FIG. 4

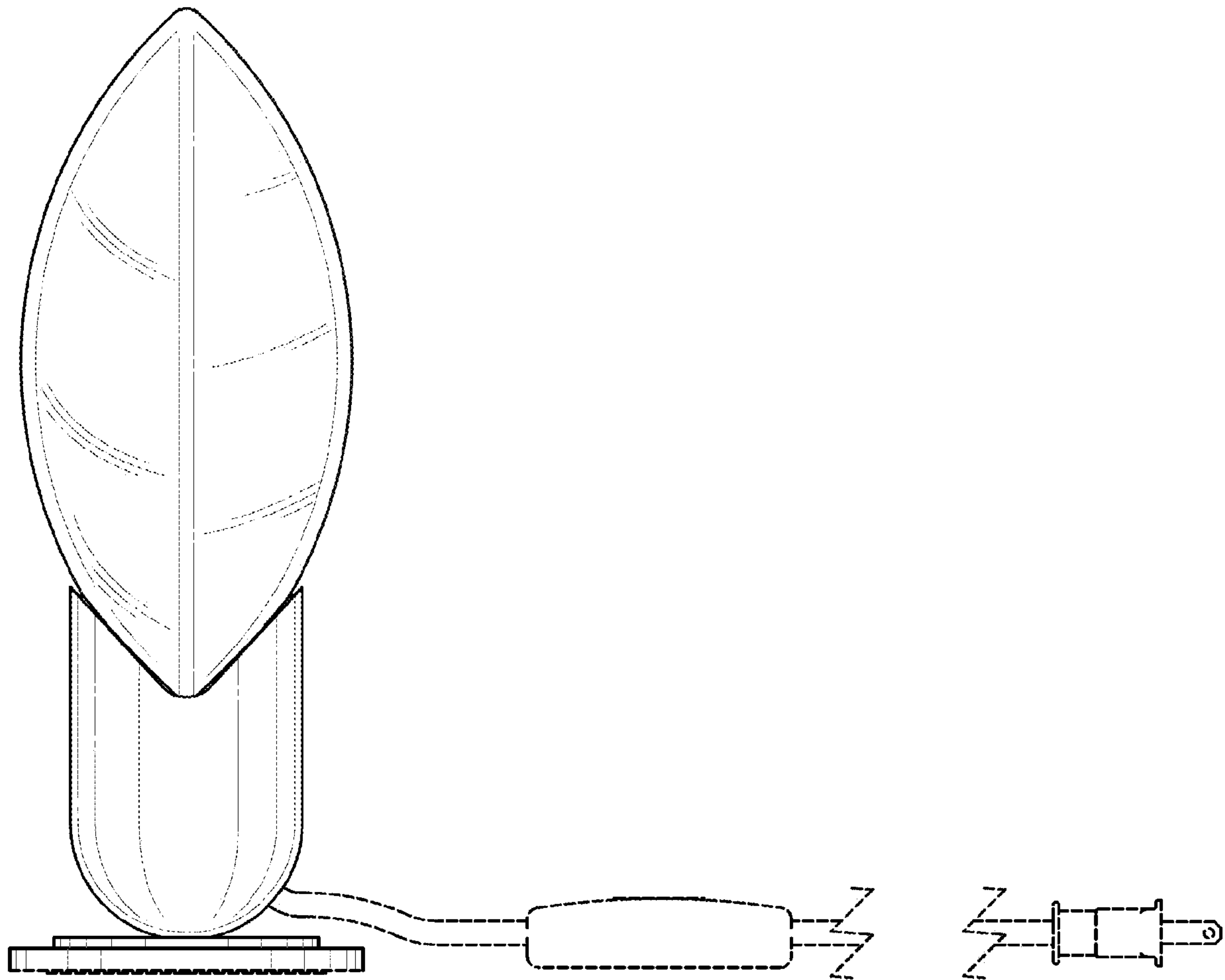


FIG. 5

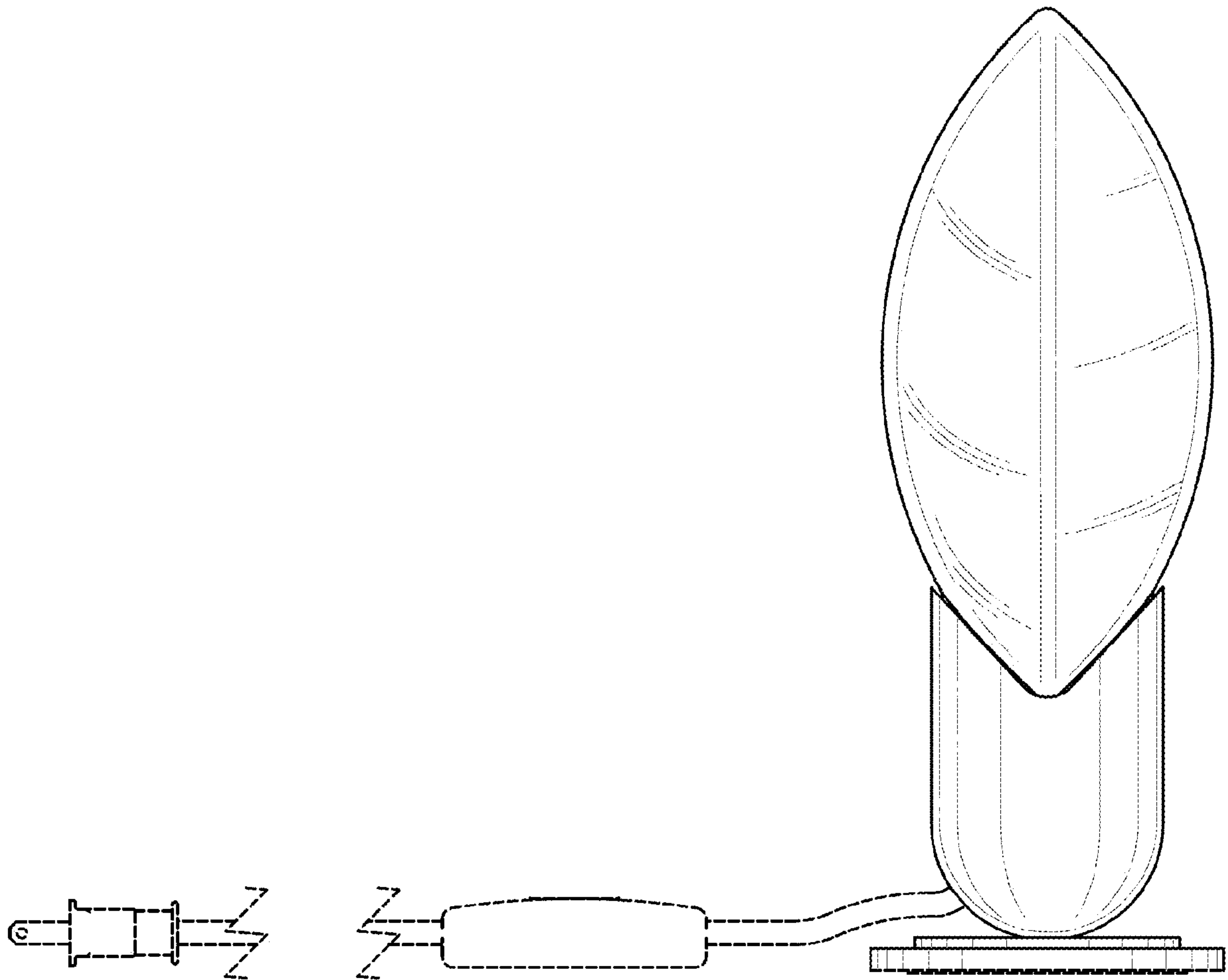


FIG. 6

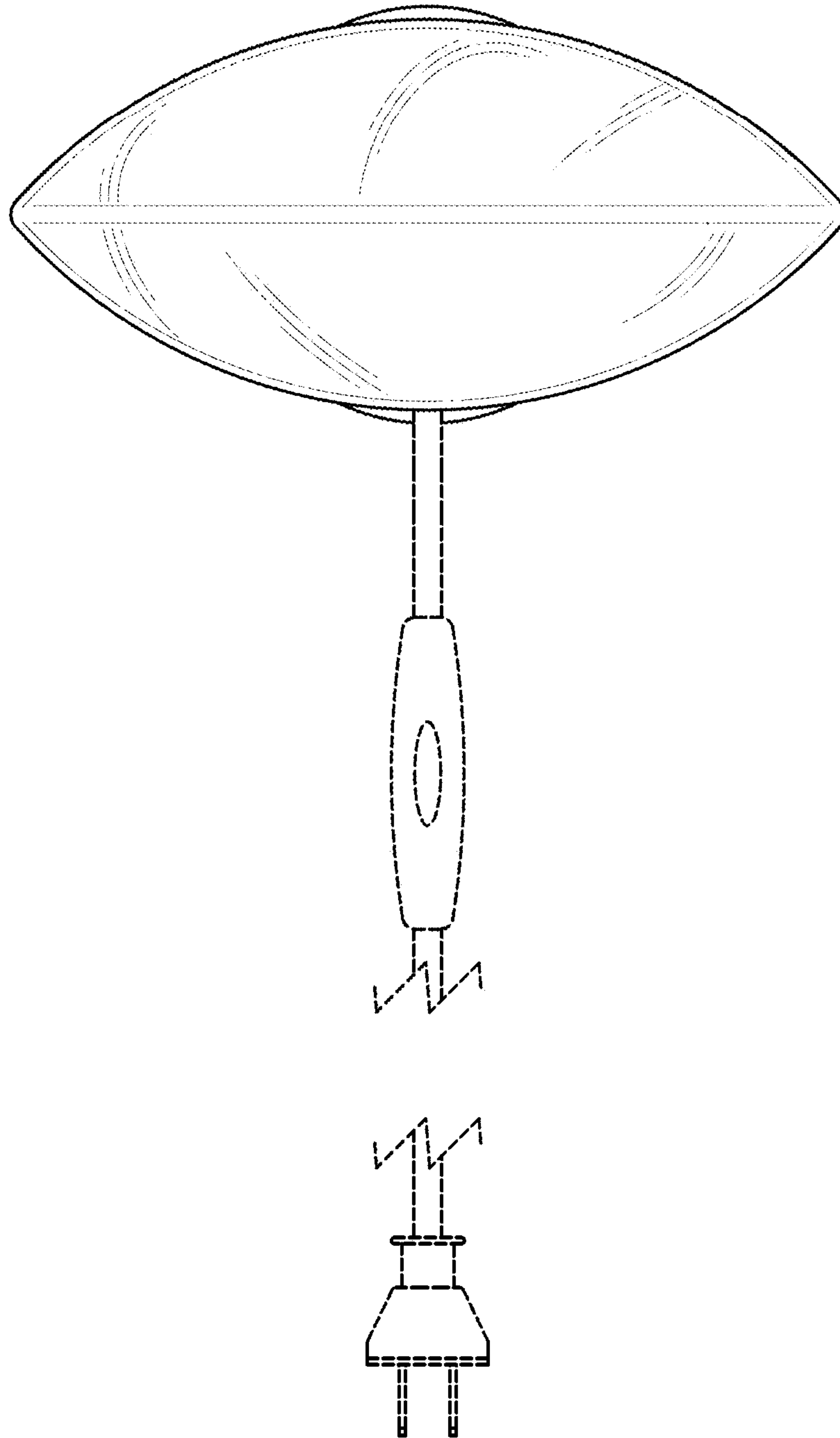


FIG. 7

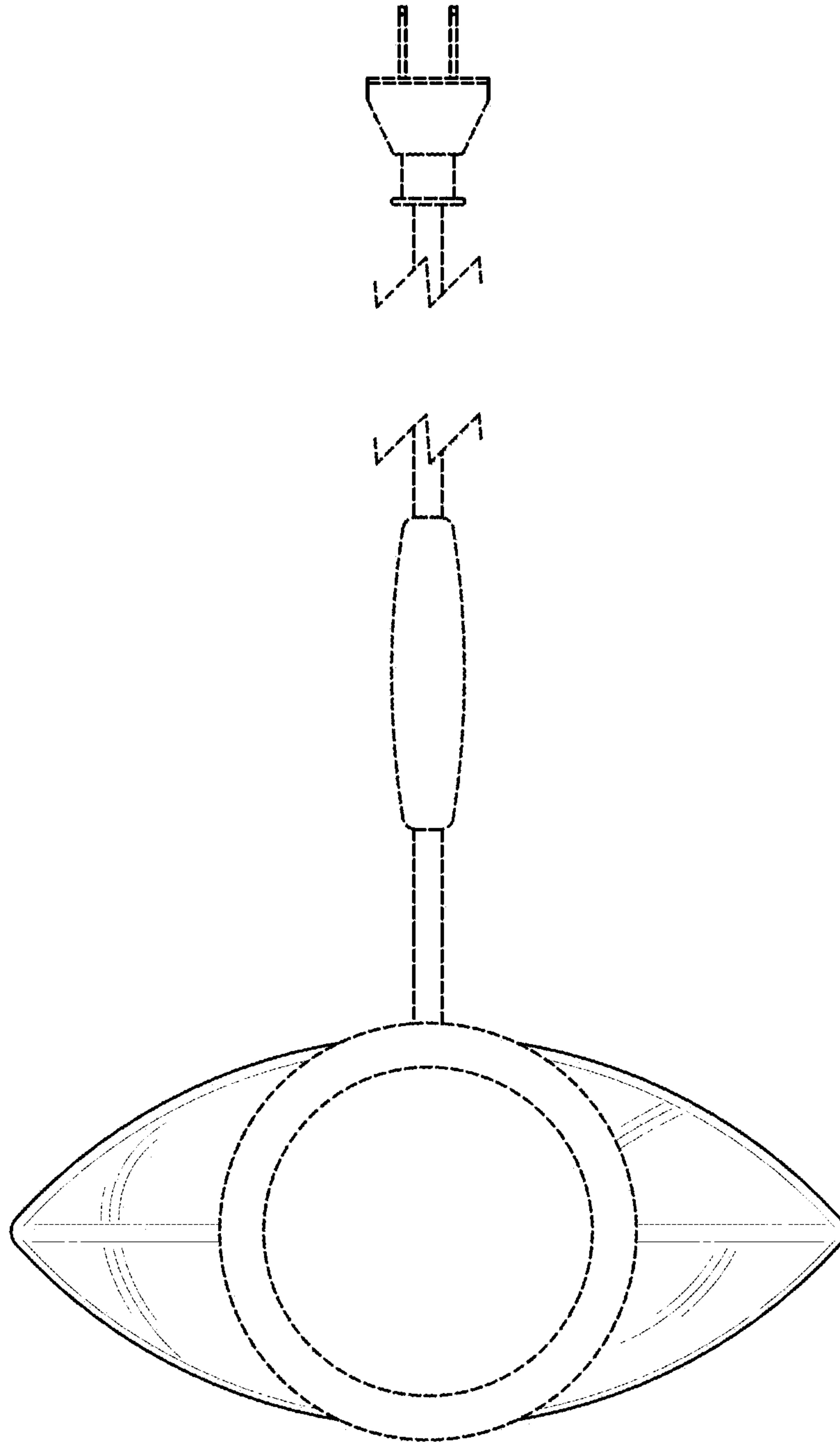


FIG. 8