



US00D917772S

(12) **United States Design Patent**  
**Lin**

(10) **Patent No.:** **US D917,772 S**  
(45) **Date of Patent:** **\*\* Apr. 27, 2021**

(54) **DESK LAMP**

(71) Applicant: **Xiaodong Lin**, Shenzhen (CN)

(72) Inventor: **Xiaodong Lin**, Shenzhen (CN)

(\*\*) Term: **15 Years**

(21) Appl. No.: **29/766,658**

(22) Filed: **Jan. 18, 2021**

(51) **LOC (13) Cl.** ..... **26-03**

(52) **U.S. Cl.**  
USPC ..... **D26/101**

(58) **Field of Classification Search**  
USPC ..... D26/93, 94, 101, 107, 108; D11/118,  
D11/158

CPC .. F21S 6/00; F21S 6/002; A41G 1/007; F21V  
1/24; F21V 1/00; F21V 1/02; F21V 1/12;  
F21V 1/20; F21V 1/22

See application file for complete search history.

(56) **References Cited**

**U.S. PATENT DOCUMENTS**

- 5,962,088 A \* 10/1999 Tanaka ..... A41G 1/007  
428/18
- D505,638 S \* 5/2005 Tabor ..... D11/118
- D507,989 S \* 8/2005 Lamb ..... D11/118

- D744,151 S \* 11/2015 Wu ..... D26/101
- D873,474 S 1/2020 Wang et al.
- D892,390 S 8/2020 Tong
- D898,270 S \* 10/2020 Shao ..... D26/101

\* cited by examiner

*Primary Examiner* — Brian N. Vinson

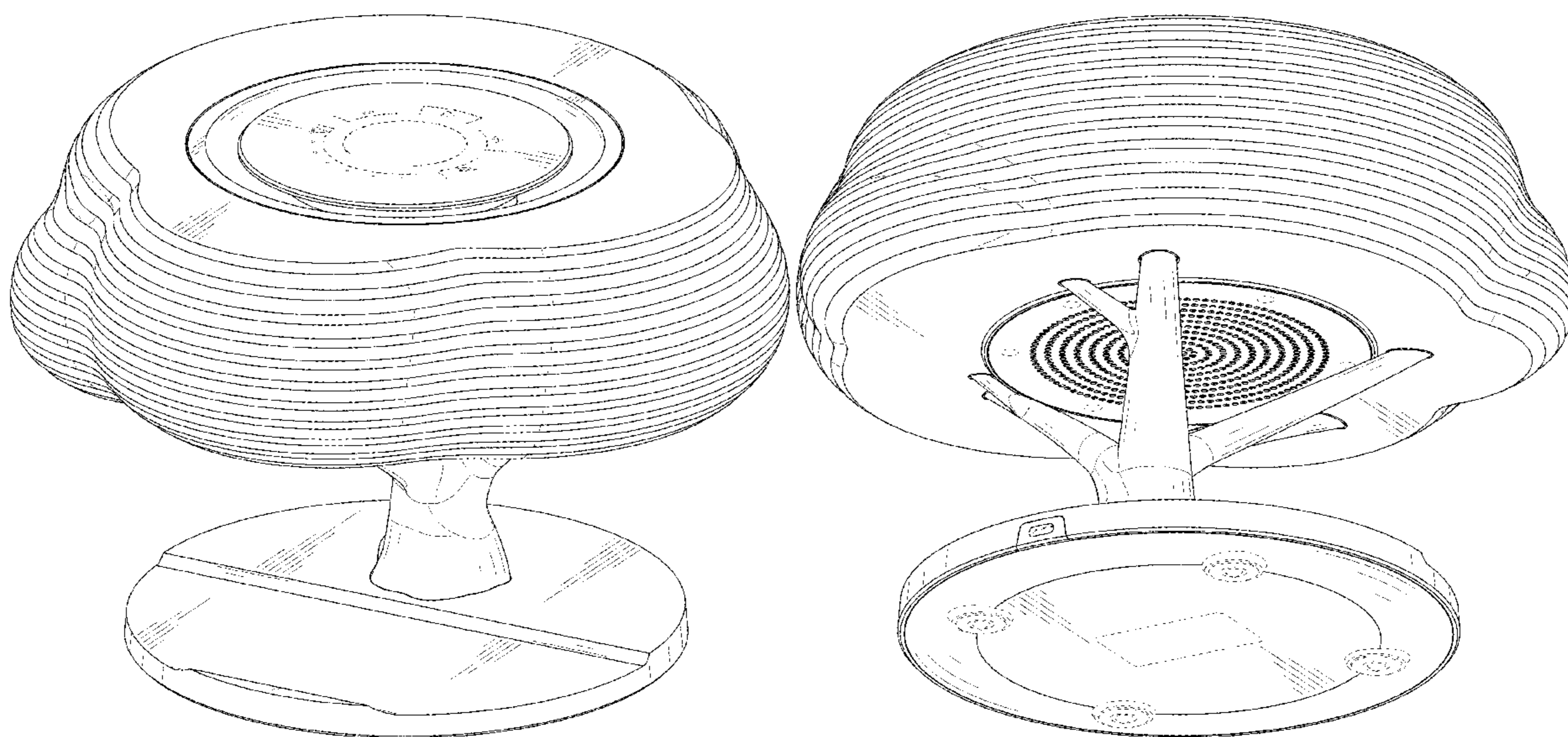
(57) **CLAIM**

The ornamental design for a desk lamp, as shown and described.

**DESCRIPTION**

FIG. 1 is a perspective view of a desk lamp showing my new design;  
 FIG. 2 is another perspective view thereof;  
 FIG. 3 is another perspective view thereof;  
 FIG. 4 is a front elevational view thereof;  
 FIG. 5 is a rear elevational view thereof;  
 FIG. 6 is a left side elevational view thereof;  
 FIG. 7 is a right side elevational view thereof;  
 FIG. 8 is a top plan view thereof;  
 FIG. 9 is a bottom plan view thereof; and,  
 FIG. 10 is an enlarged view of portion 10 shown in FIG. 3.  
 The broken lines in the drawings depict portions of the desk lamp that form no part of the claimed design.

**1 Claim, 10 Drawing Sheets**



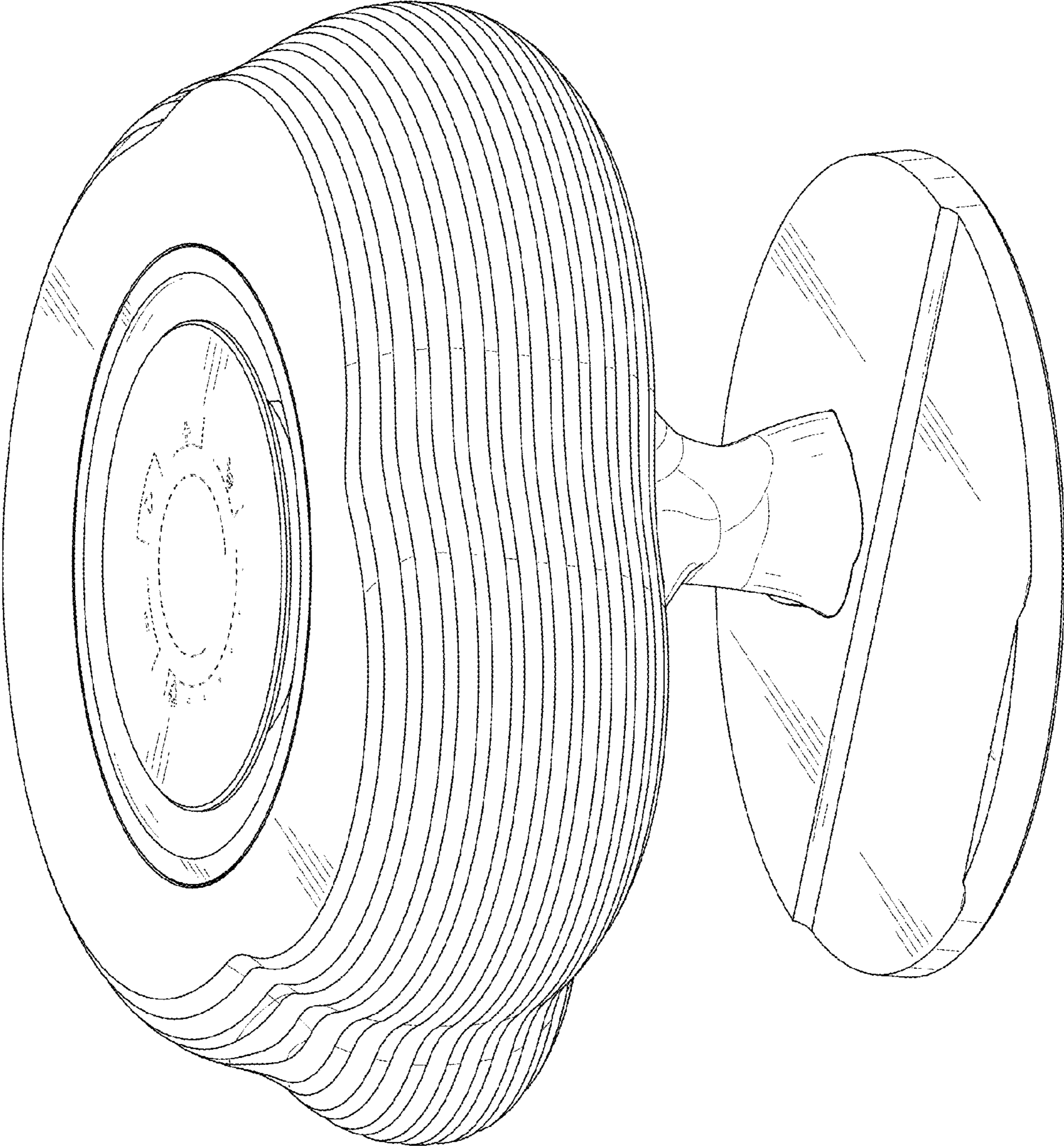


FIG. 1



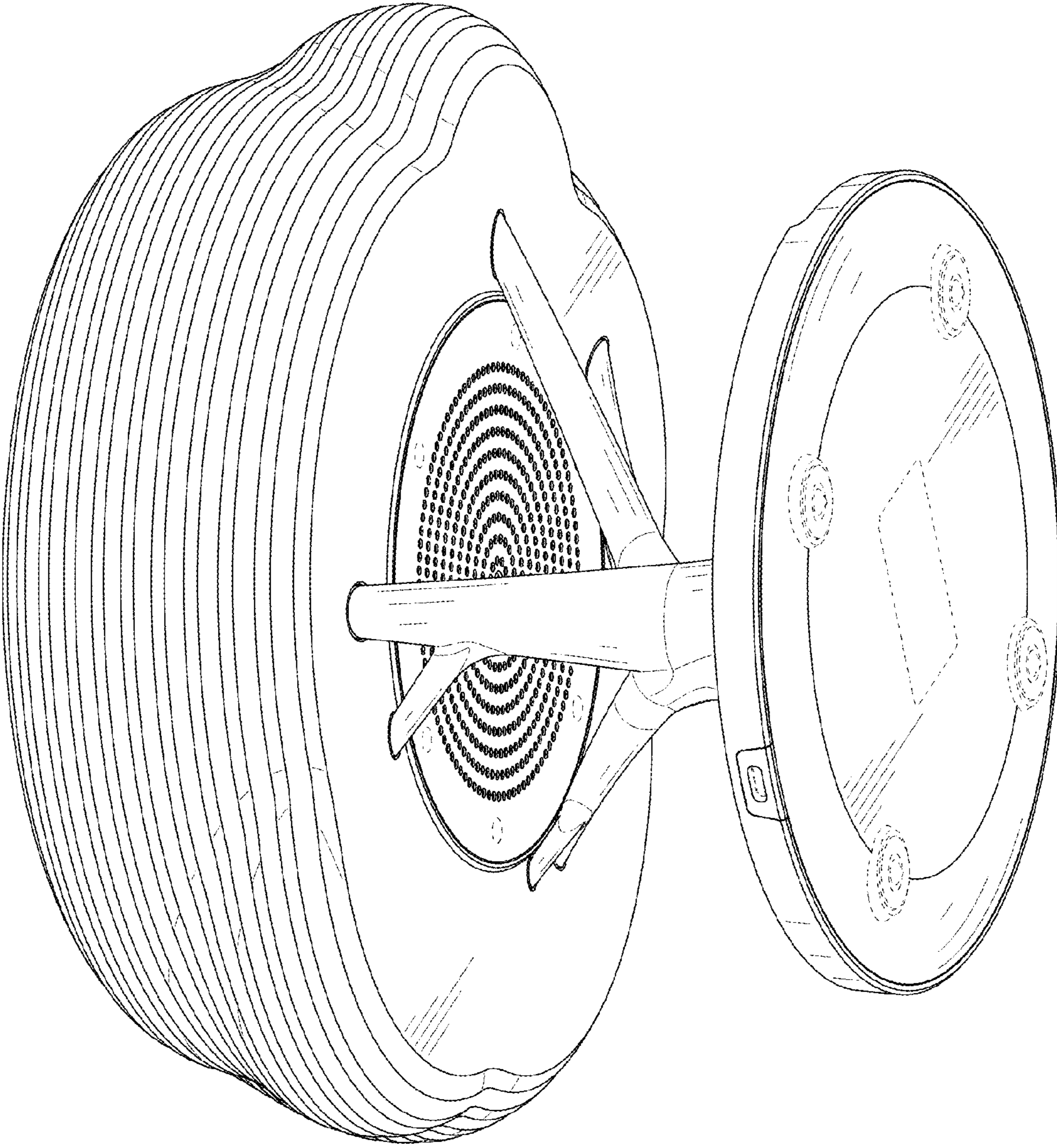


FIG. 2

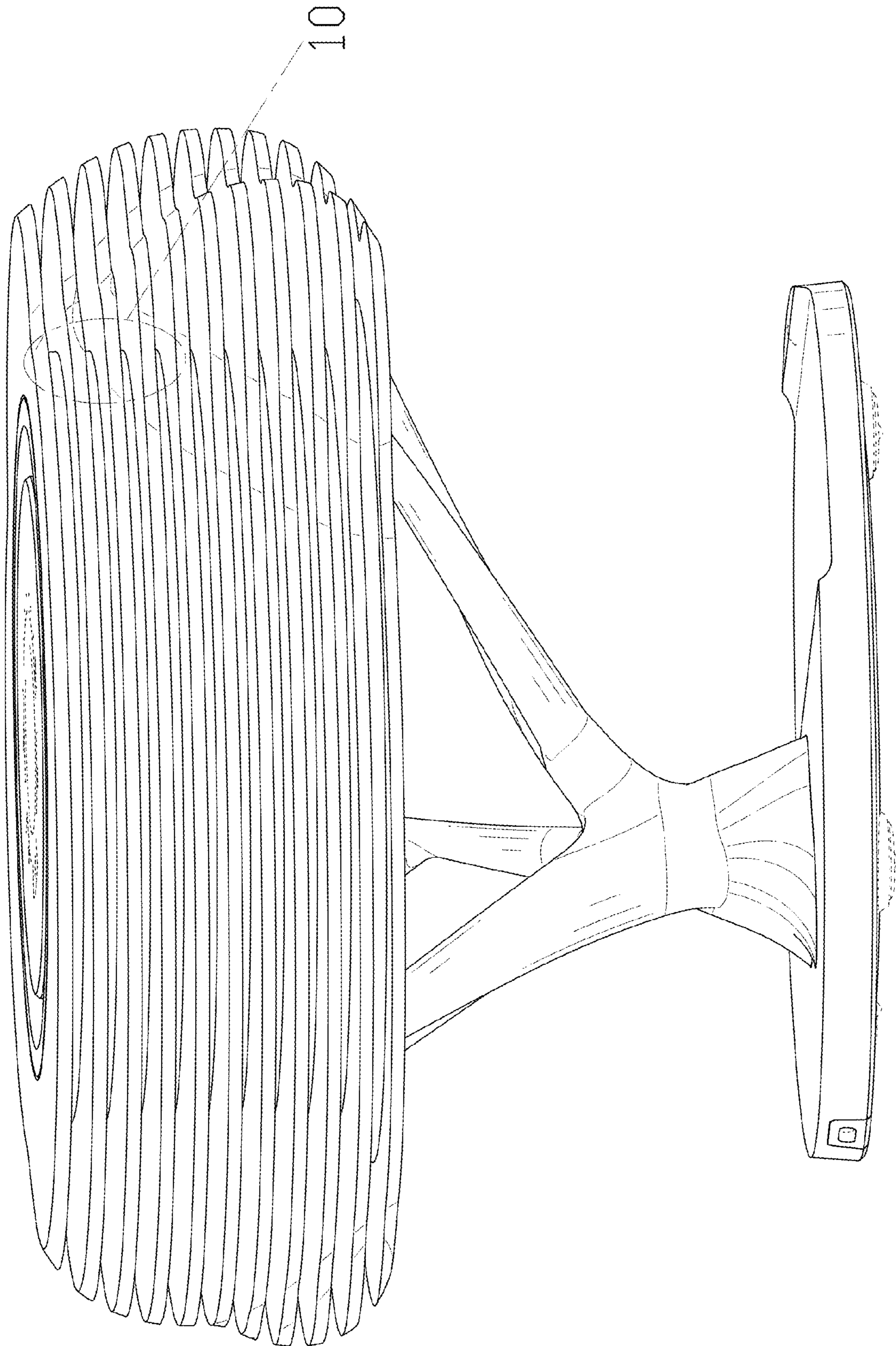


FIG. 3

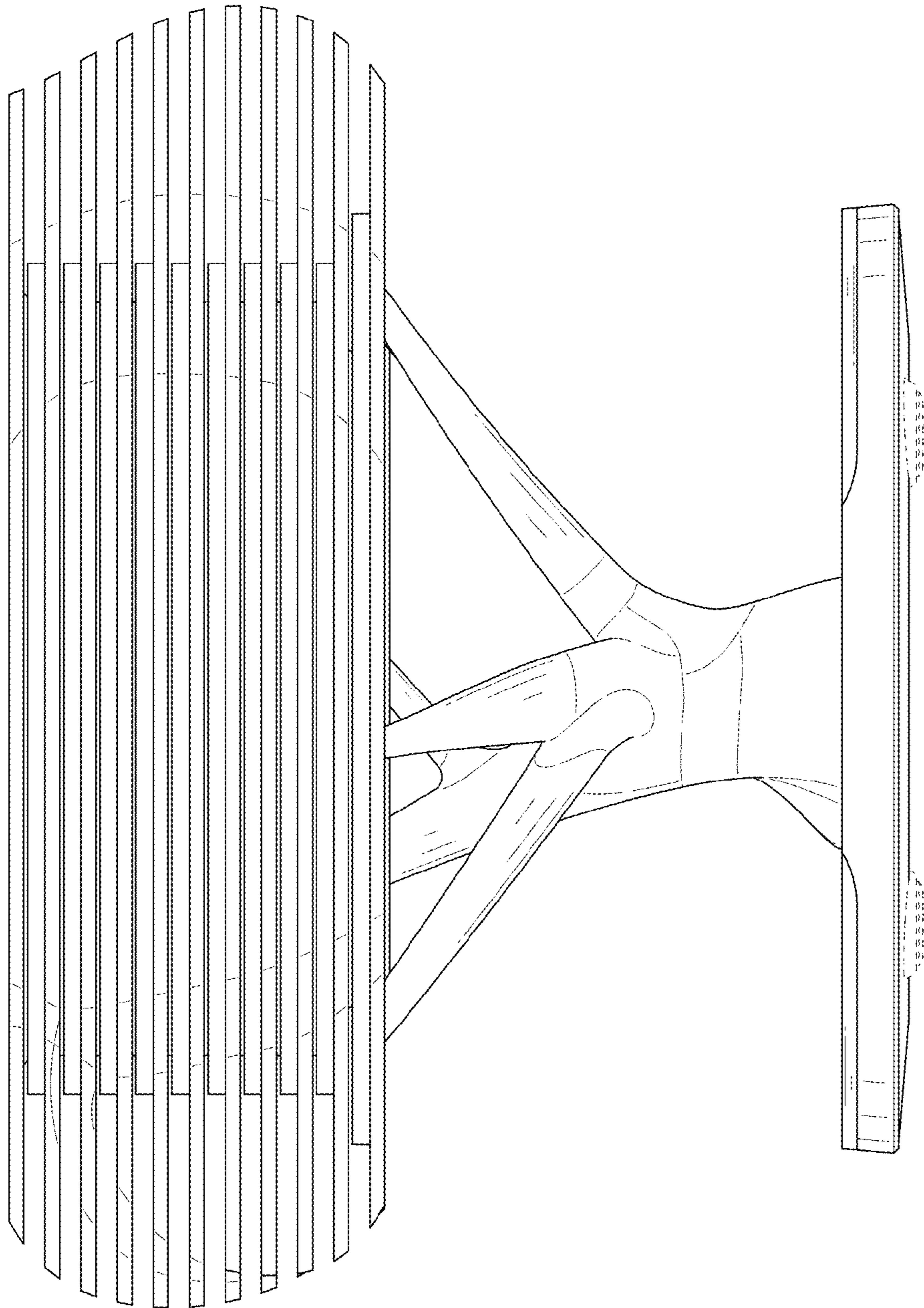


FIG. 4



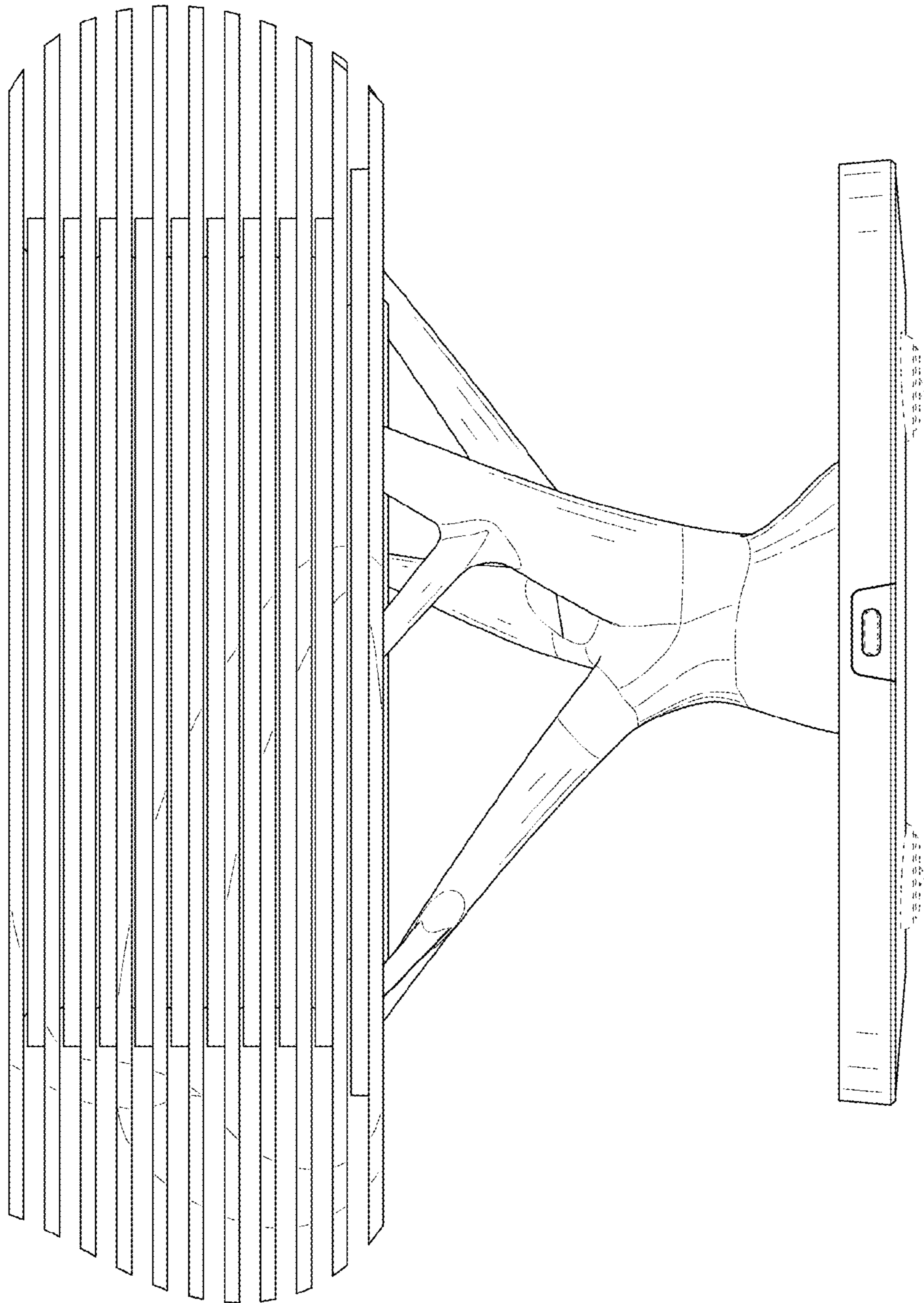


FIG. 5

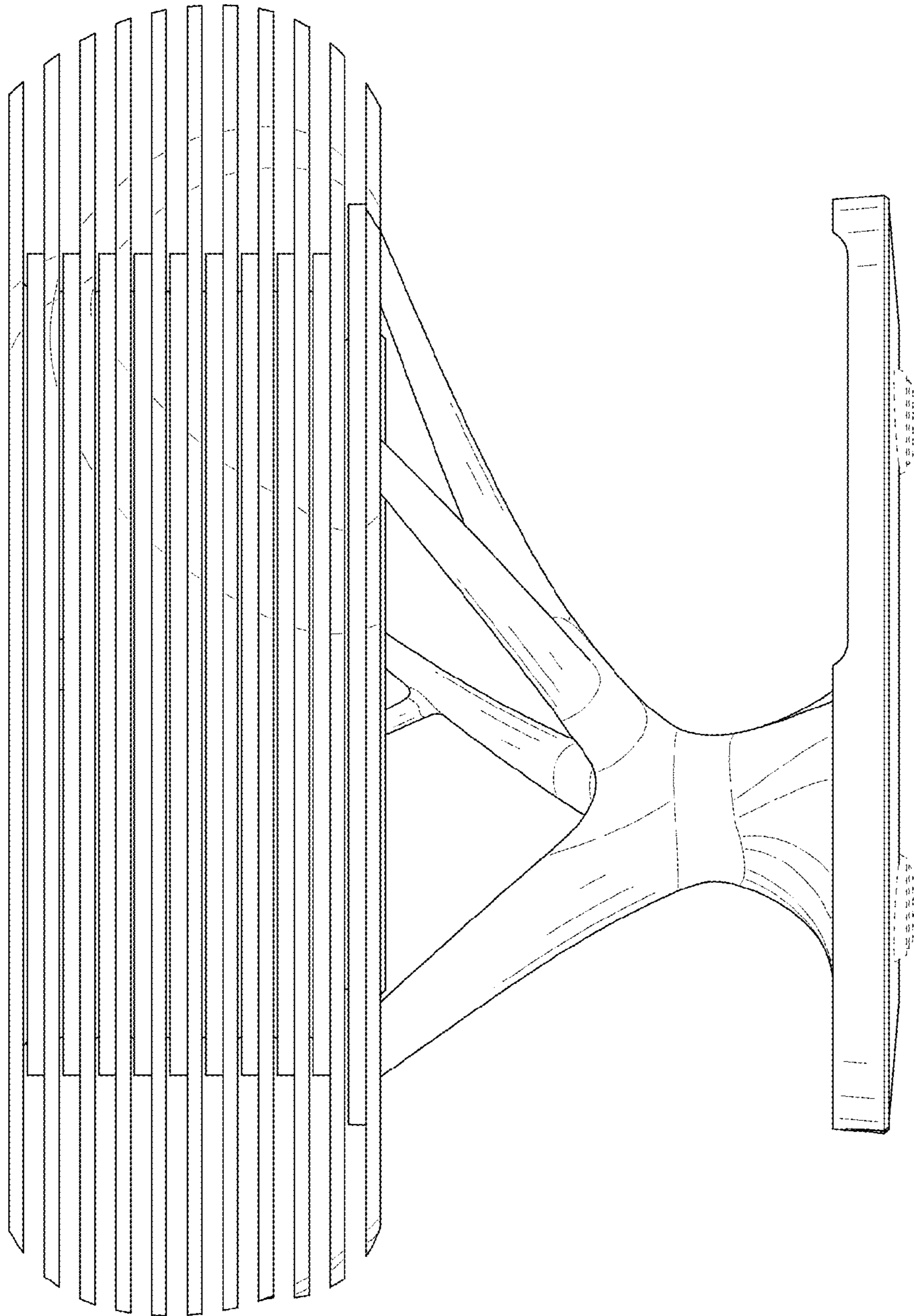


FIG. 6

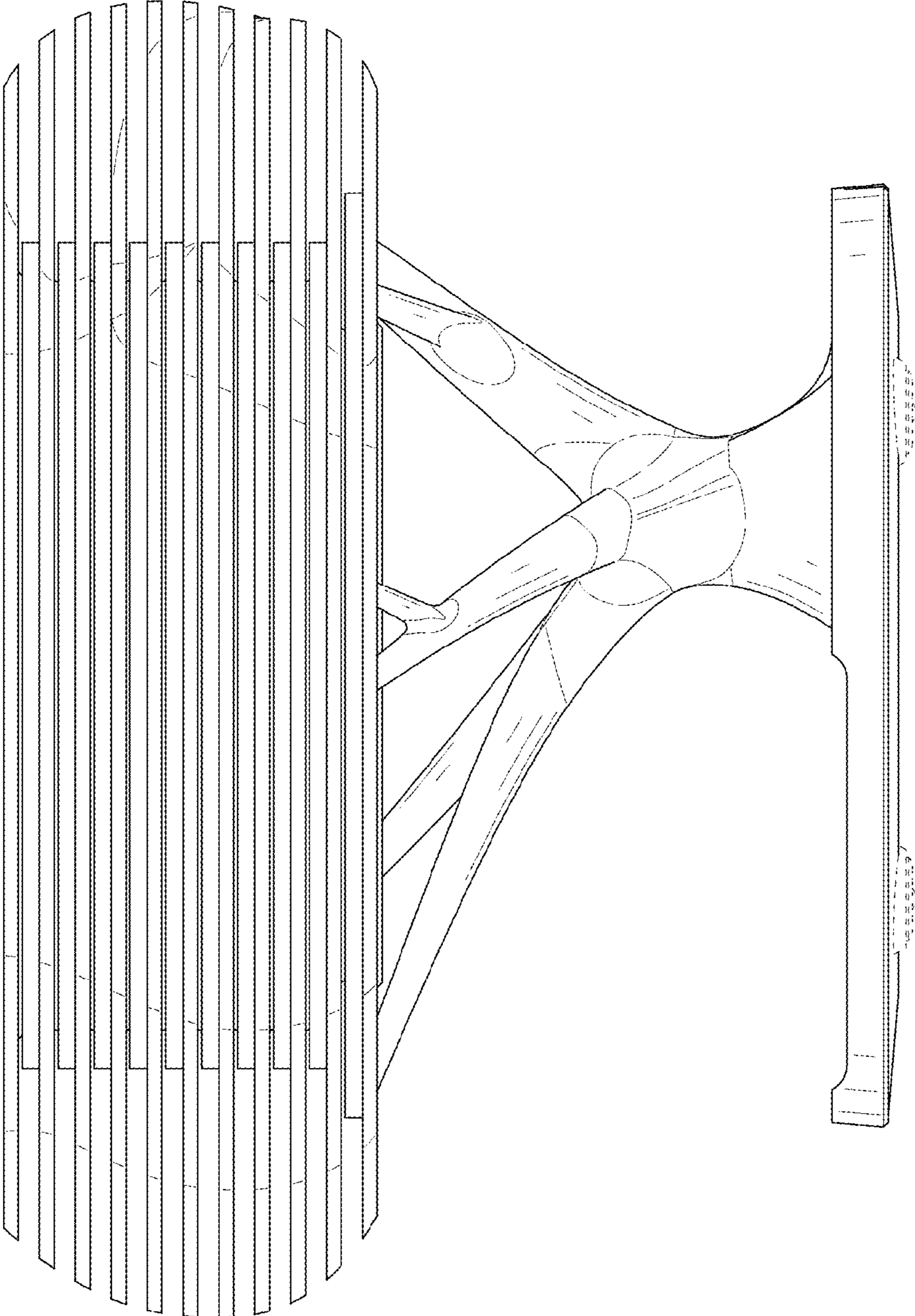


FIG. 7



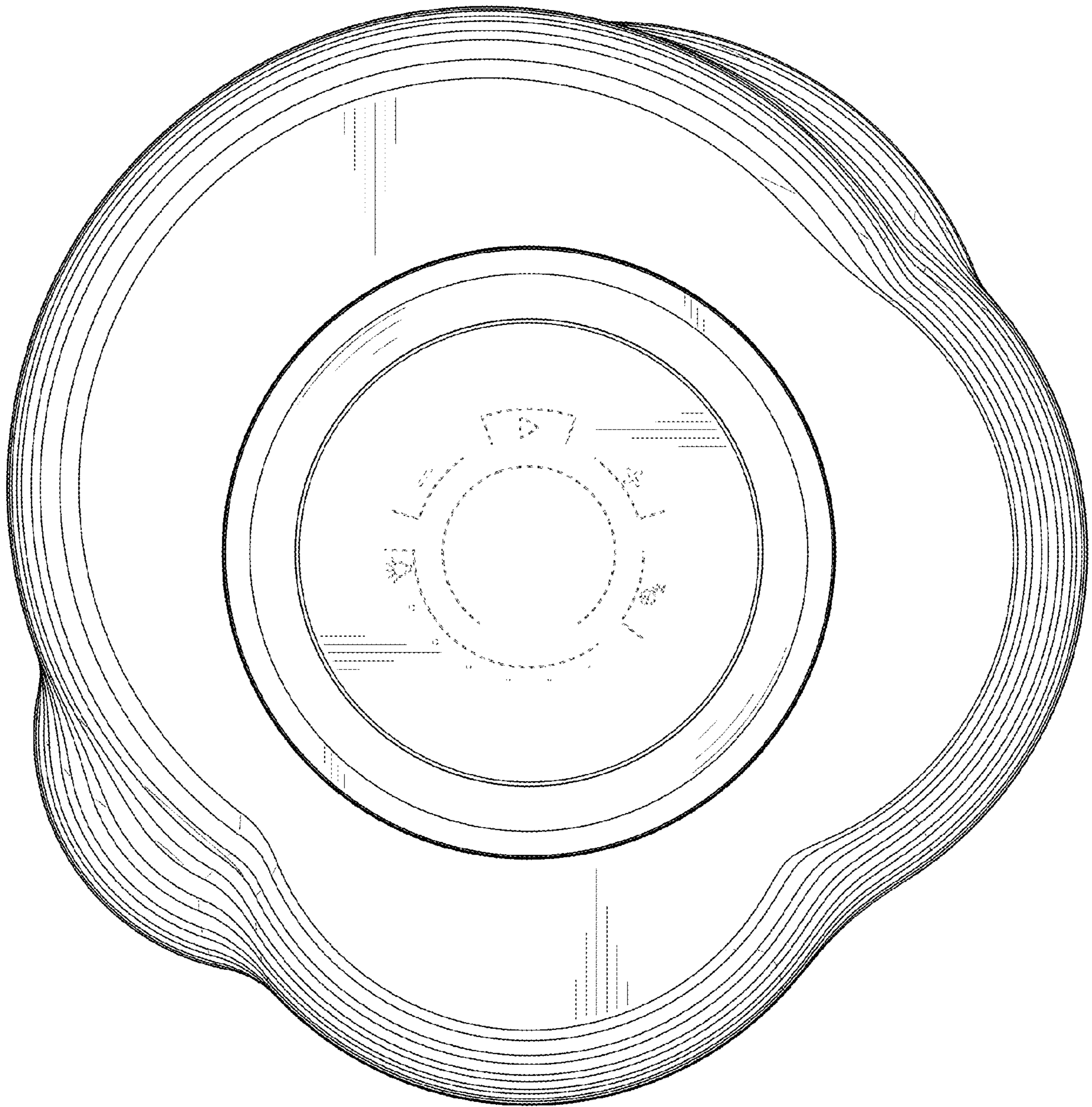


FIG. 8

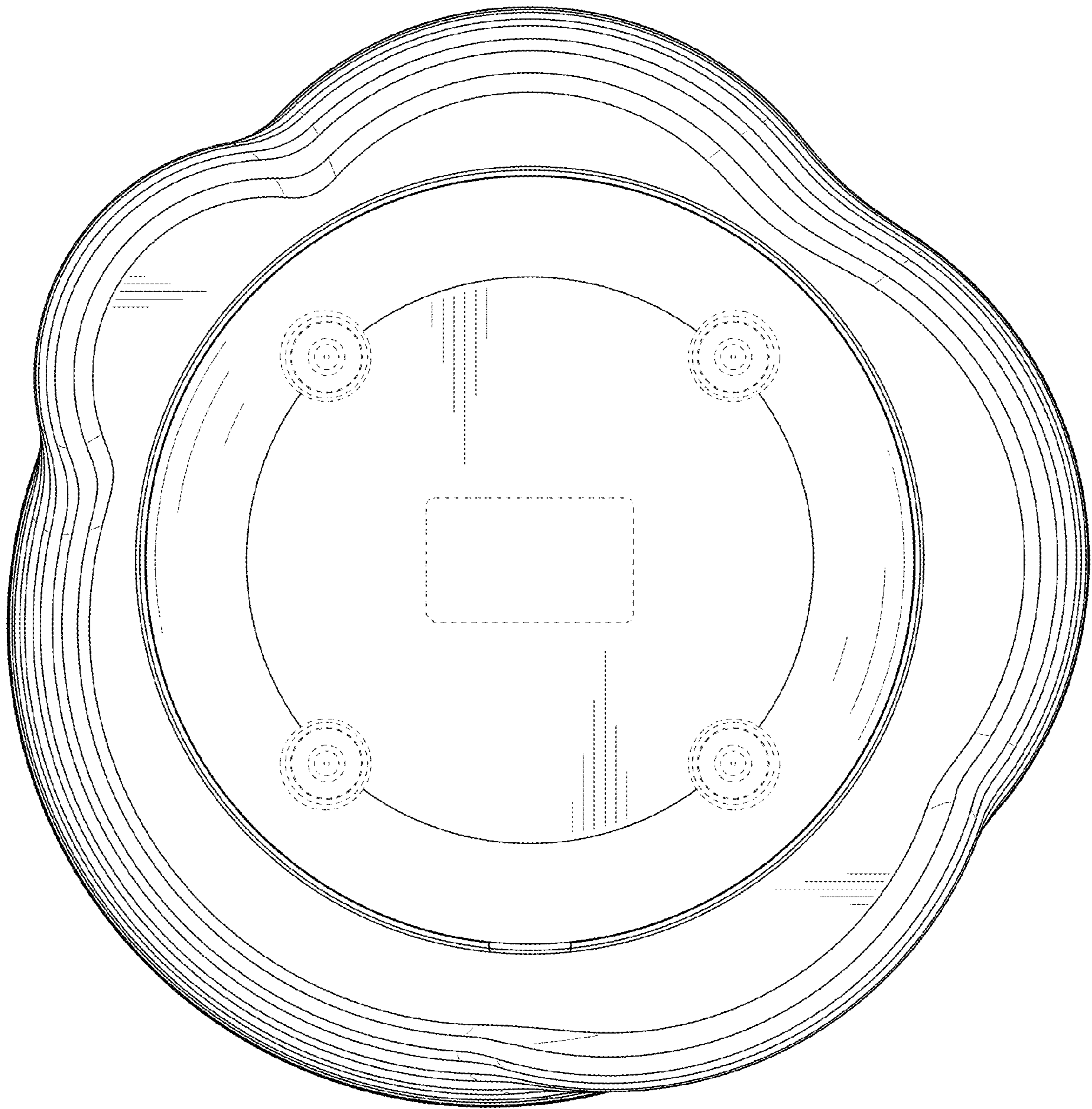


FIG. 9

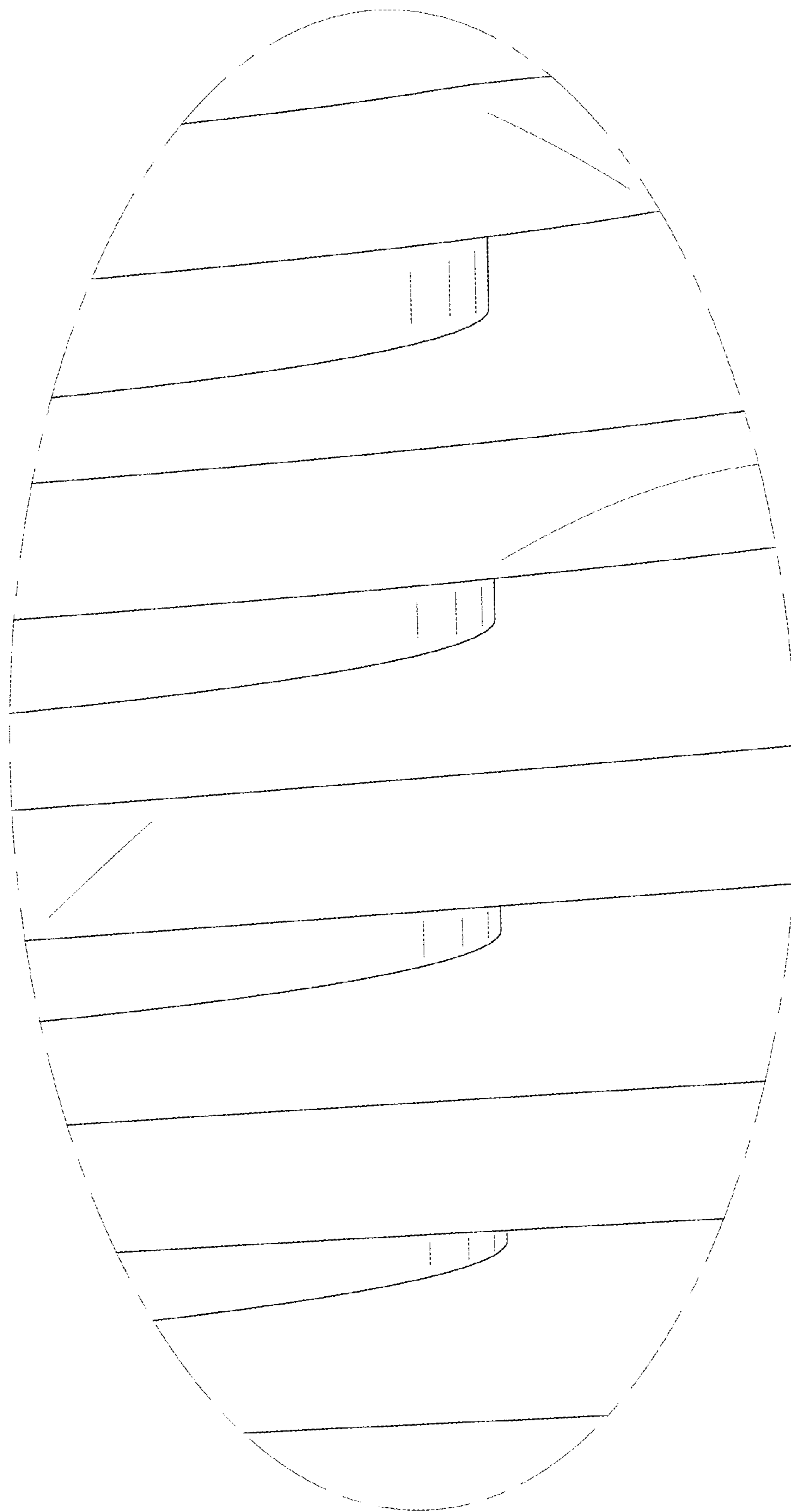


FIG. 10