

US00D917770S

(12) **United States Design Patent** (10) **Patent No.:** **US D917,770 S**
Yuan et al. (45) **Date of Patent:** **** Apr. 27, 2021**

- (54) **LAMP**
- (71) Applicant: **ZHONGSHAN CITY KINGLONG LIGHTING FACTORY CO., LTD,**
Guangdong (CN)
- (72) Inventors: **Shiqiang Yuan,** Guangdong (CN);
Shujin Yuan, Guangdong (CN);
Shilong Yuan, Guangdong (CN)
- (73) Assignee: **ZHONGSHAN CITY KINGLONG LIGHTING FACTORY CO., LTD,**
Zhongshan (CN)
- (**) Term: **15 Years**
- (21) Appl. No.: **29/703,494**
- (22) Filed: **Aug. 28, 2019**
- (51) **LOC (13) Cl.** **26-03**
- (52) **U.S. Cl.**
USPC **D26/90; D26/82**
- (58) **Field of Classification Search**
USPC D26/72, 80-86, 88, 90
CPC F21S 8/04; F21S 8/043; F21S 8/046; F21S
8/06; F21S 8/061; F21S 8/063; F21S
8/065; F21S 8/066; F21S 8/068
See application file for complete search history.

(56) **References Cited**

U.S. PATENT DOCUMENTS

D240,653 S *	7/1976	Eftekhar	D26/80
D373,002 S *	8/1996	Porter	D26/144
D573,299 S *	7/2008	Fanning	D26/153
D663,884 S *	7/2012	Baylar	D26/88
D674,951 S *	1/2013	Sonneman	D26/80

D772,468 S *	11/2016	Sonneman	D26/90
D773,718 S *	12/2016	Sonneman	D26/90
D773,719 S *	12/2016	Sonneman	D26/90
D775,397 S *	12/2016	Sonneman	D26/90
D792,633 S *	7/2017	Sonneman	D26/90
D826,454 S *	8/2018	Sonneman	D26/81
D826,461 S *	8/2018	Sonneman	D26/90
D829,954 S *	10/2018	Sonneman	D26/80
D859,725 S *	9/2019	Sonneman	D26/84
D862,767 S *	10/2019	Pomputius	D26/81
2015/0055344 A1 *	2/2015	Van Hoof	F21S 2/005 362/249.03
2017/0030561 A1 *	2/2017	Dix	F21S 2/005
2017/0198895 A1 *	7/2017	Sonneman	F21S 8/065
2019/0162369 A1 *	5/2019	Sonneman	F21S 2/00
2020/0263859 A1 *	8/2020	Kinsley	F21V 21/005

* cited by examiner

Primary Examiner — Clare E Heflin

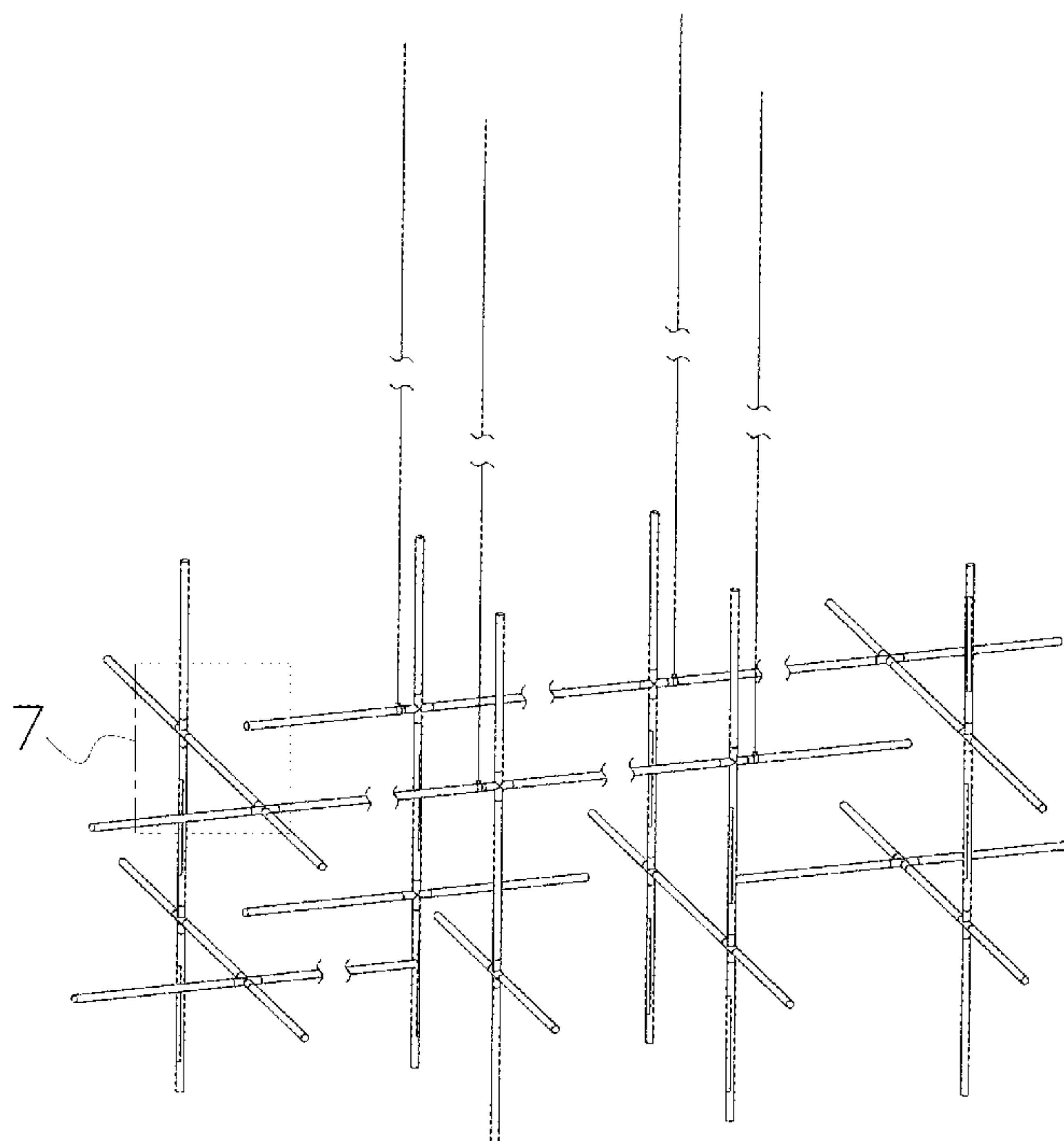
(57) **CLAIM**

The ornamental design for a lamp, as shown and described.

DESCRIPTION

FIG. 1 is a top, front and left side perspective view of a lamp showing our new design;
 FIG. 2 is a front elevational view thereof;
 FIG. 3 is a rear elevational view thereof;
 FIG. 4 is a left side view thereof;
 FIG. 5 is a right side view thereof;
 FIG. 6 is a bottom plan view thereof;
 FIG. 7 is an enlarged view of portion 7 in FIG. 1; and,
 FIG. 8 is an enlarged view of portion 8 in FIG. 2.
 The lamp is shown with symbolic breaks. The appearance of any portion of the article between the break lines forms no parts of the claimed design.

1 Claim, 8 Drawing Sheets



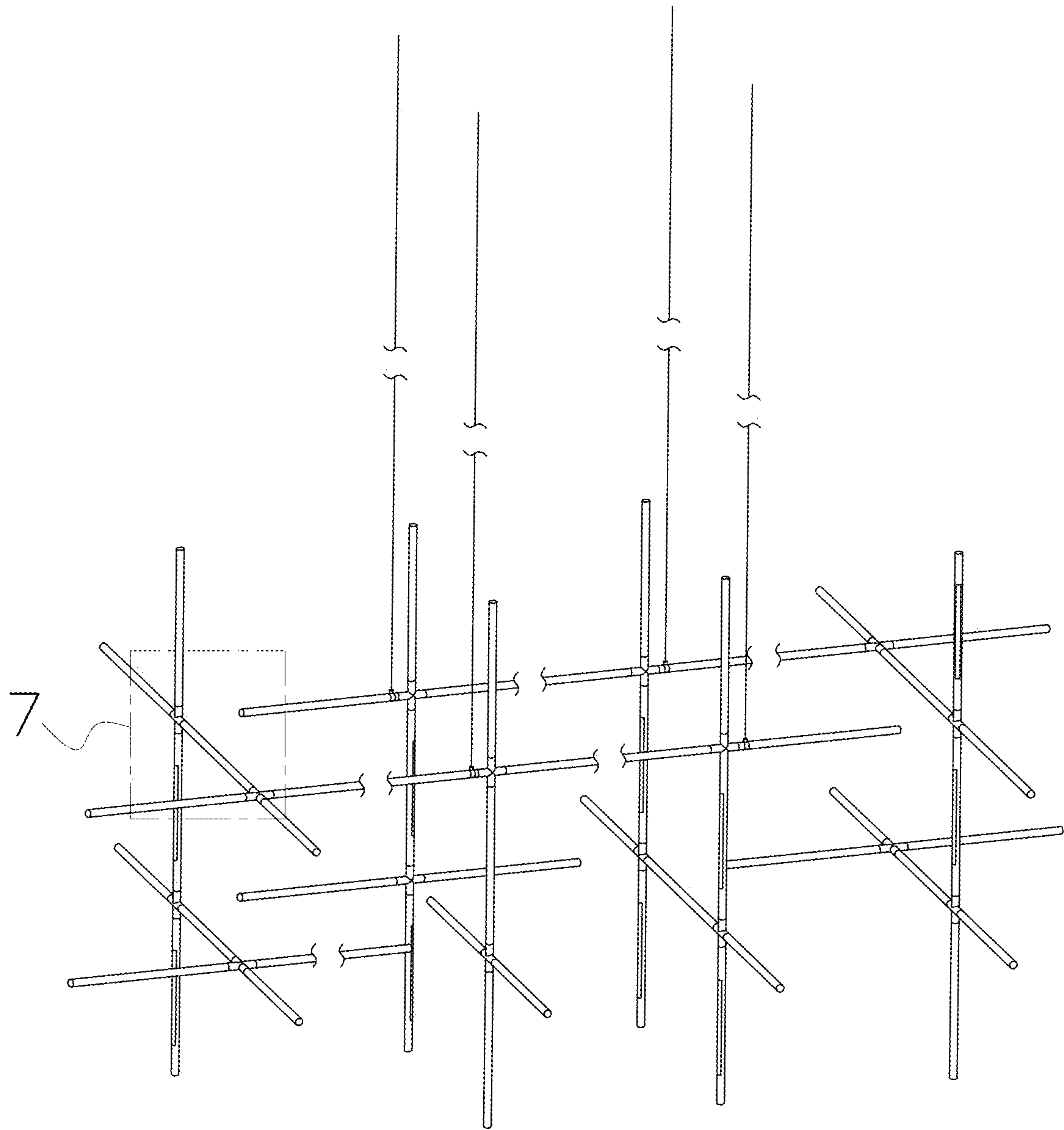


FIG. 1

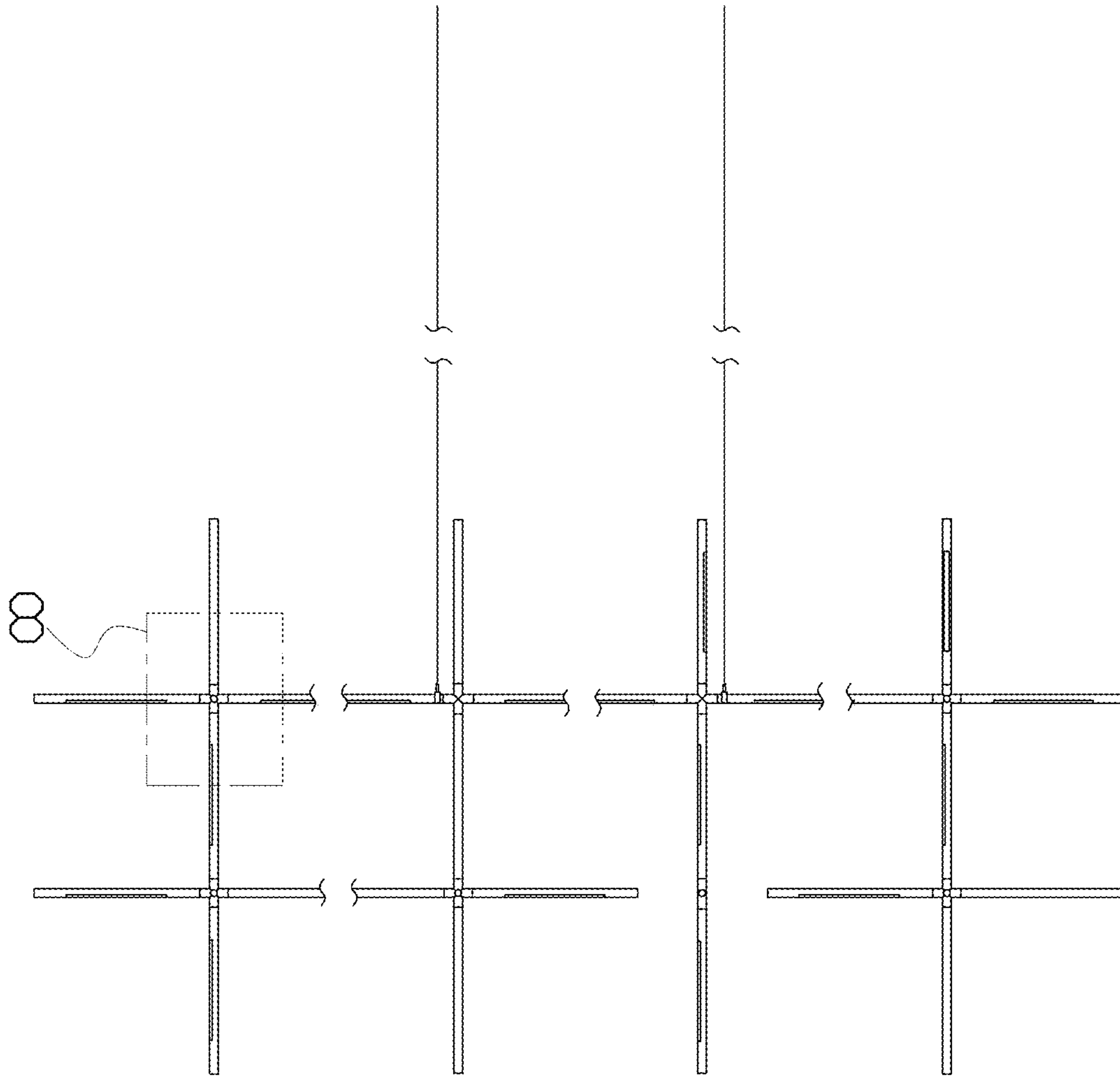


FIG. 2

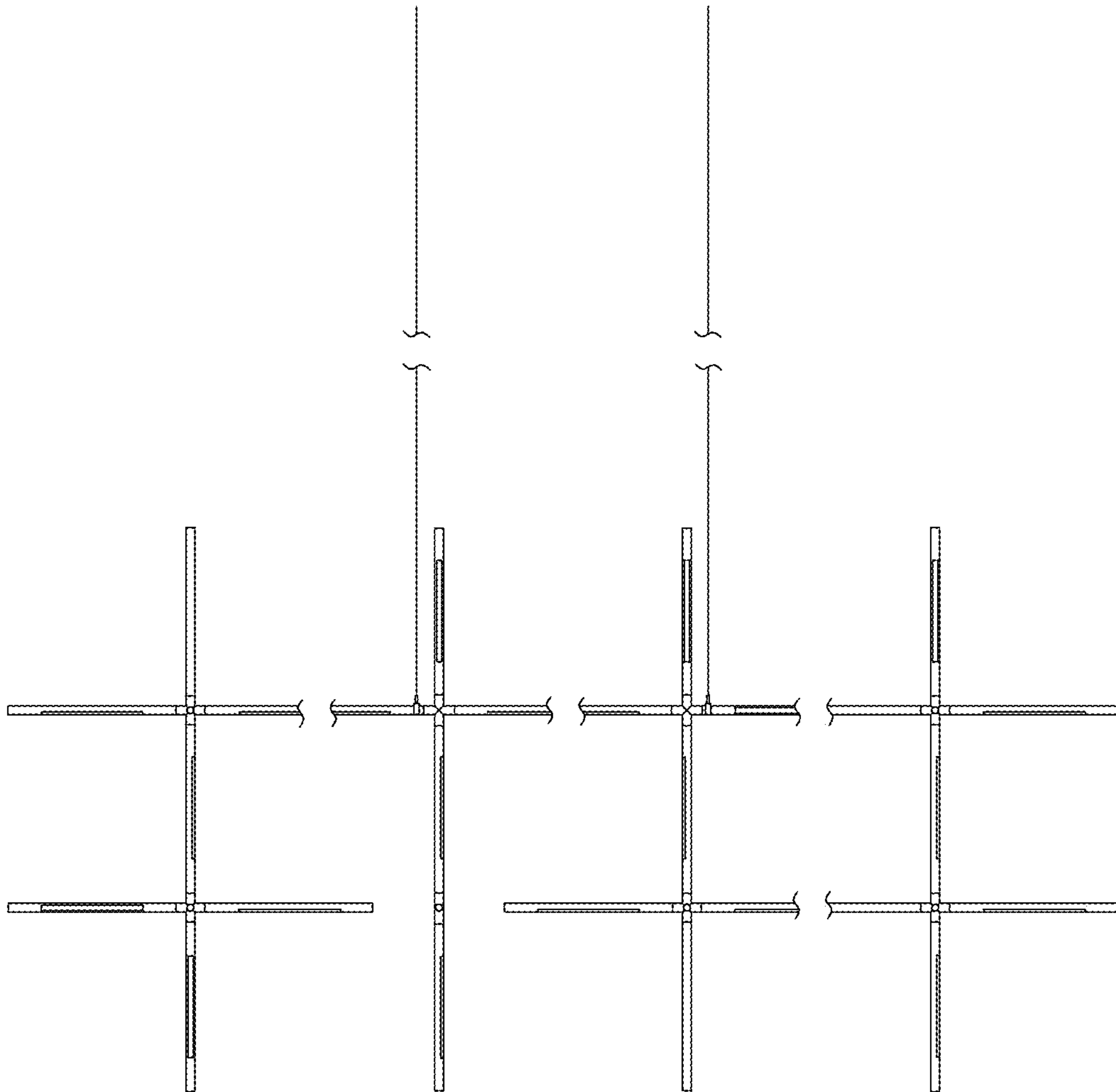


FIG. 3

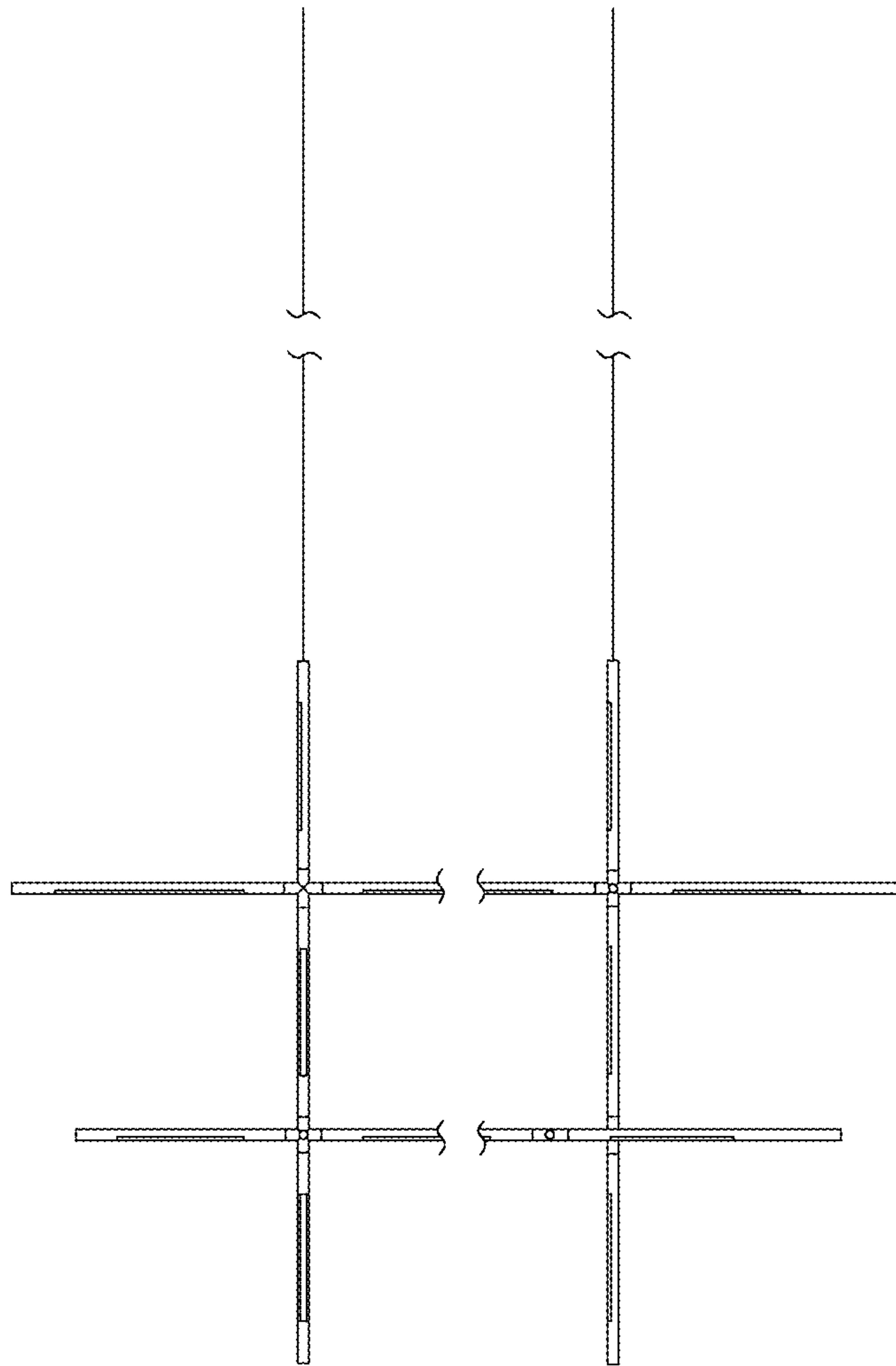


FIG. 4

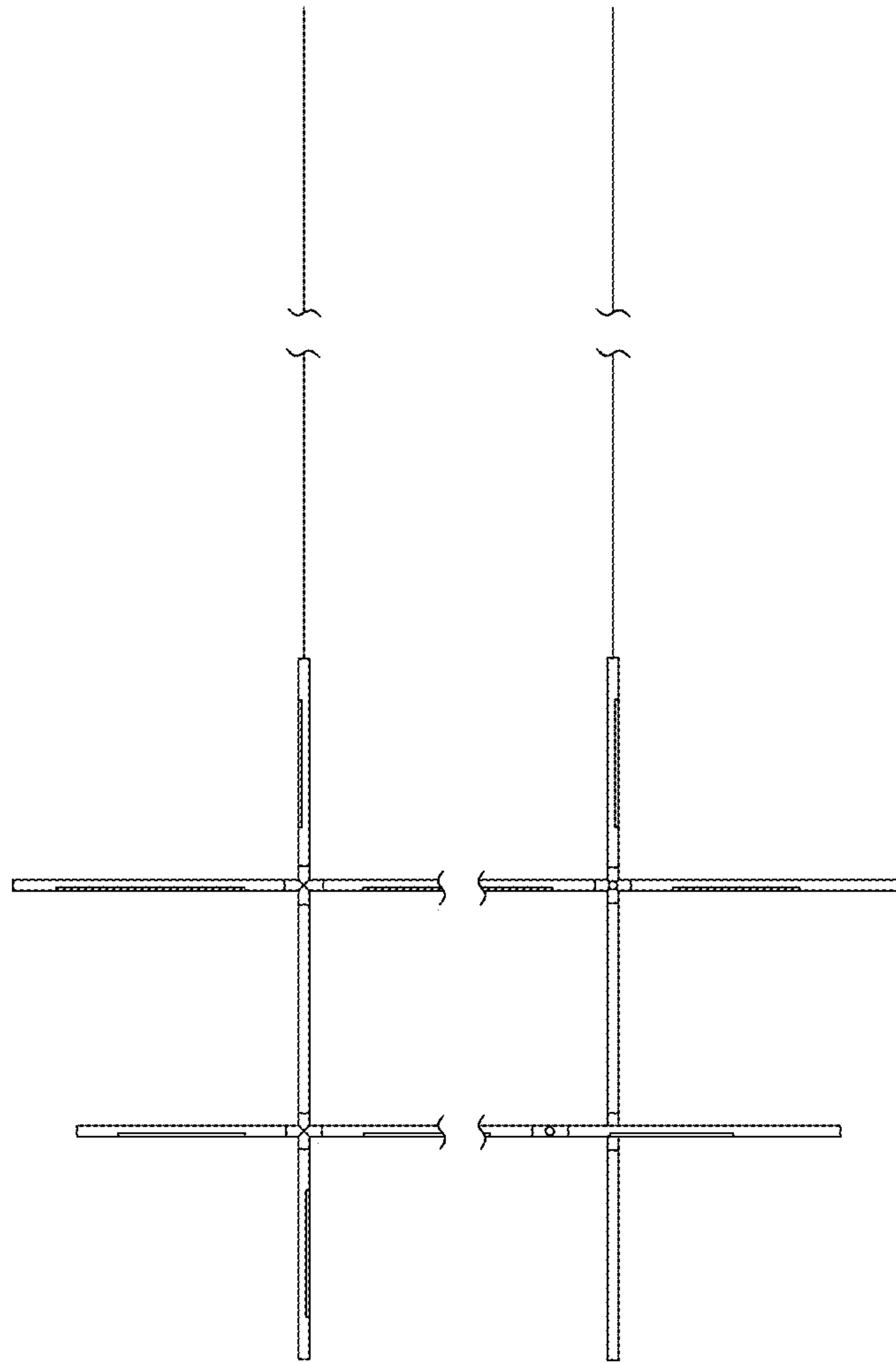


FIG. 5

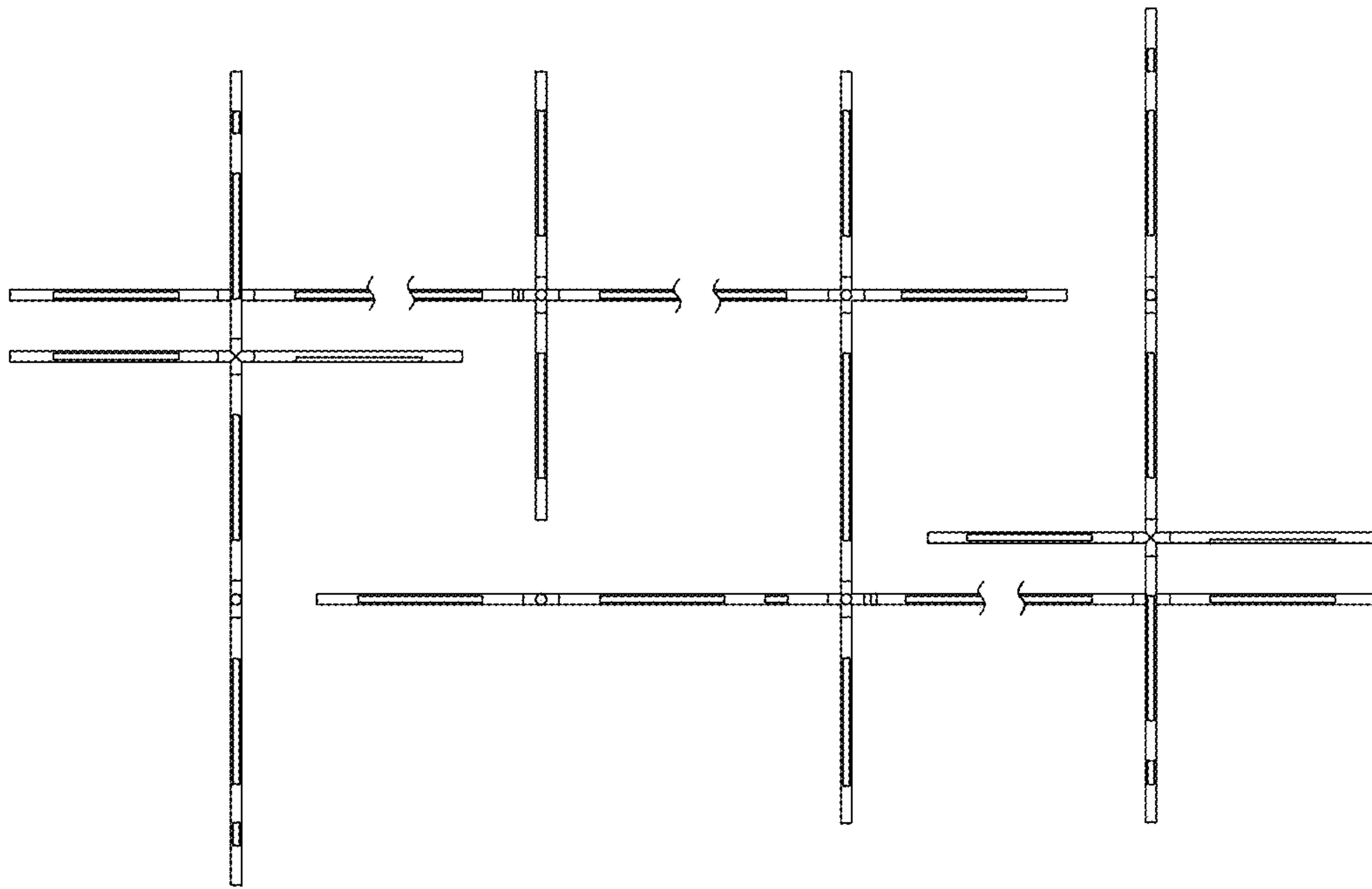


FIG. 6

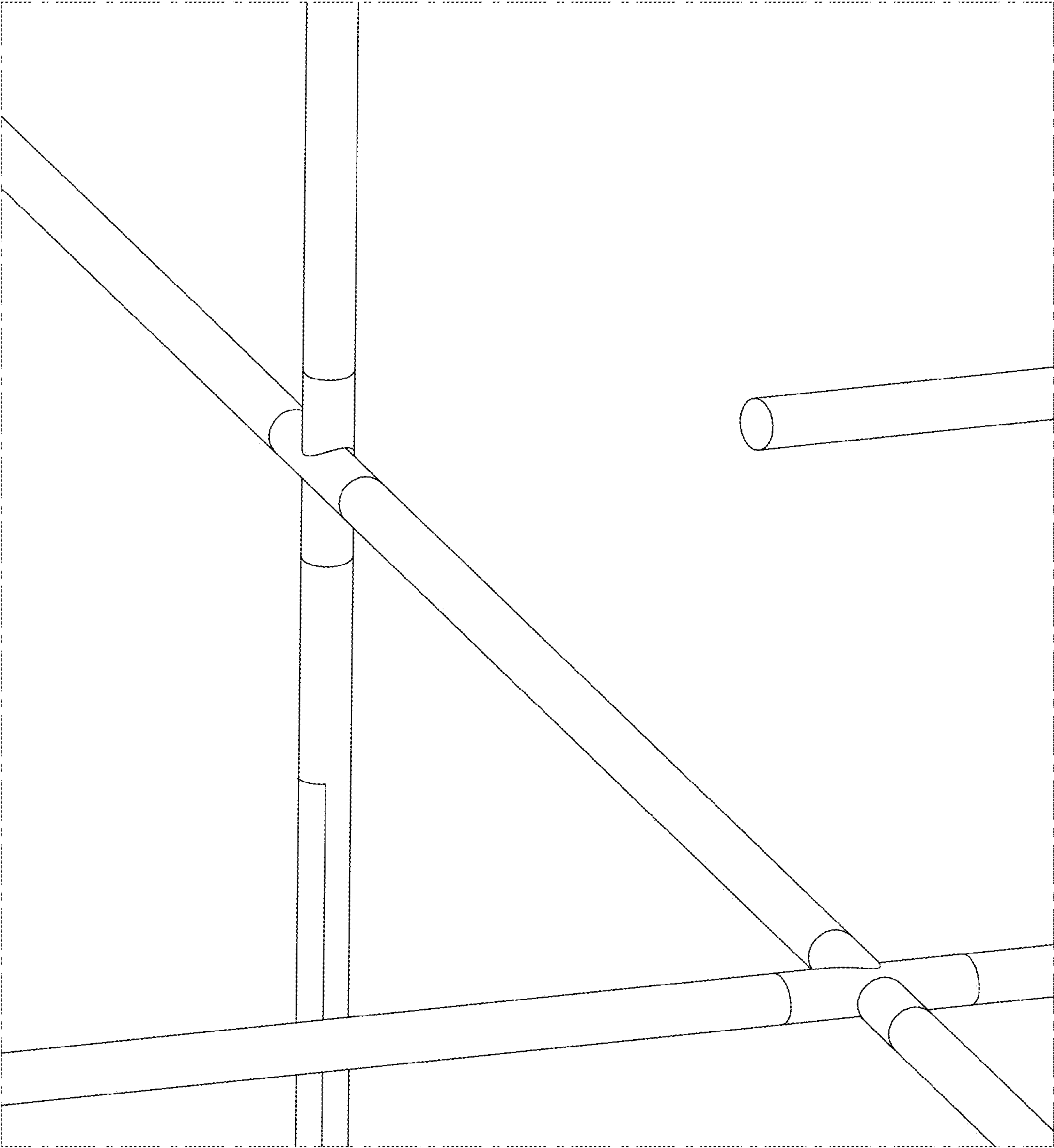


FIG. 7

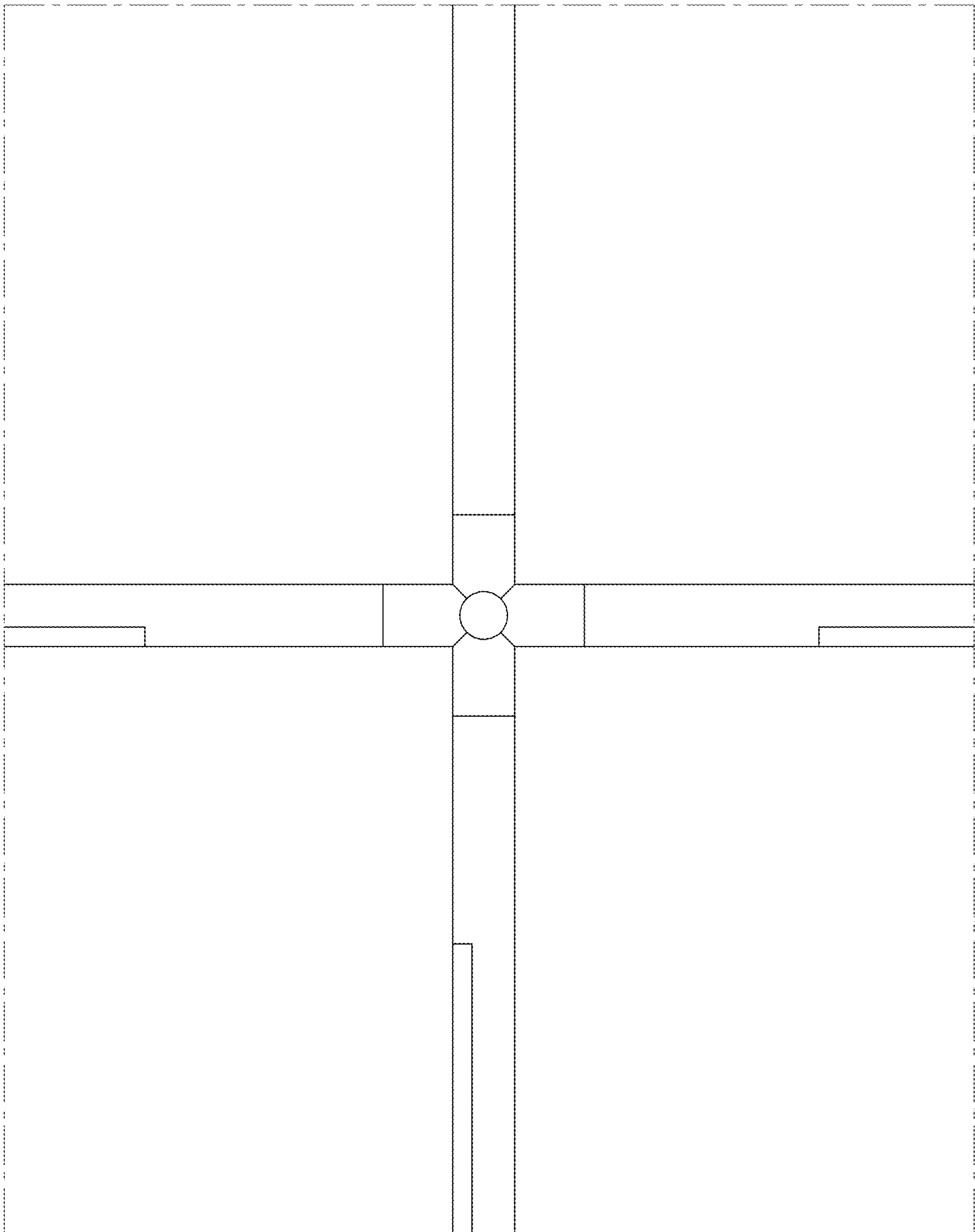


FIG. 8