



US00D917767S

(12) **United States Design Patent**
Zheng

(10) **Patent No.:** **US D917,767 S**

(45) **Date of Patent:** **** Apr. 27, 2021**

(54) **LAMP**

(71) Applicant: **Nan Zheng**, Shenzhen (CN)

(72) Inventor: **Nan Zheng**, Shenzhen (CN)

(**) Term: **15 Years**

(21) Appl. No.: **29/746,455**

(22) Filed: **Aug. 13, 2020**

(51) **LOC (13) Cl.** **26-03**

(52) **U.S. Cl.**
USPC **D26/87; D26/86**

(58) **Field of Classification Search**
USPC D26/80, 85-87, 92
CPC F21S 8/03; F21S 8/035; F21S 8/036
See application file for complete search history.

(56) **References Cited**

U.S. PATENT DOCUMENTS

D95,917 S *	6/1935	McCann	D26/86
D536,471 S *	2/2007	Matons	D26/87
D537,554 S *	2/2007	De'Armond	D26/87
D564,693 S *	3/2008	Ziliani	D26/85
D588,295 S *	3/2009	Schonbek	D26/128
D646,834 S *	10/2011	Chen	D26/87
D816,881 S *	5/2018	Qiao	D26/86
D822,233 S	7/2018	Wang et al.		
D879,354 S *	3/2020	Lin	D26/87
D882,149 S *	4/2020	Lin	D26/87
D887,617 S *	6/2020	Wang	D26/87
D888,316 S *	6/2020	Huang	D26/86

OTHER PUBLICATIONS

Ralbay Modern LED Crystal Bathroom Vanity Light available at amazon.com Jun. 4, 2020. (Year: 2020).*
Aipsun Crystal Vanity Light Fixture available at amazon.com May 22, 2020. (Year: 2020).*

* cited by examiner

Primary Examiner — Clare E Heflin

(57) **CLAIM**

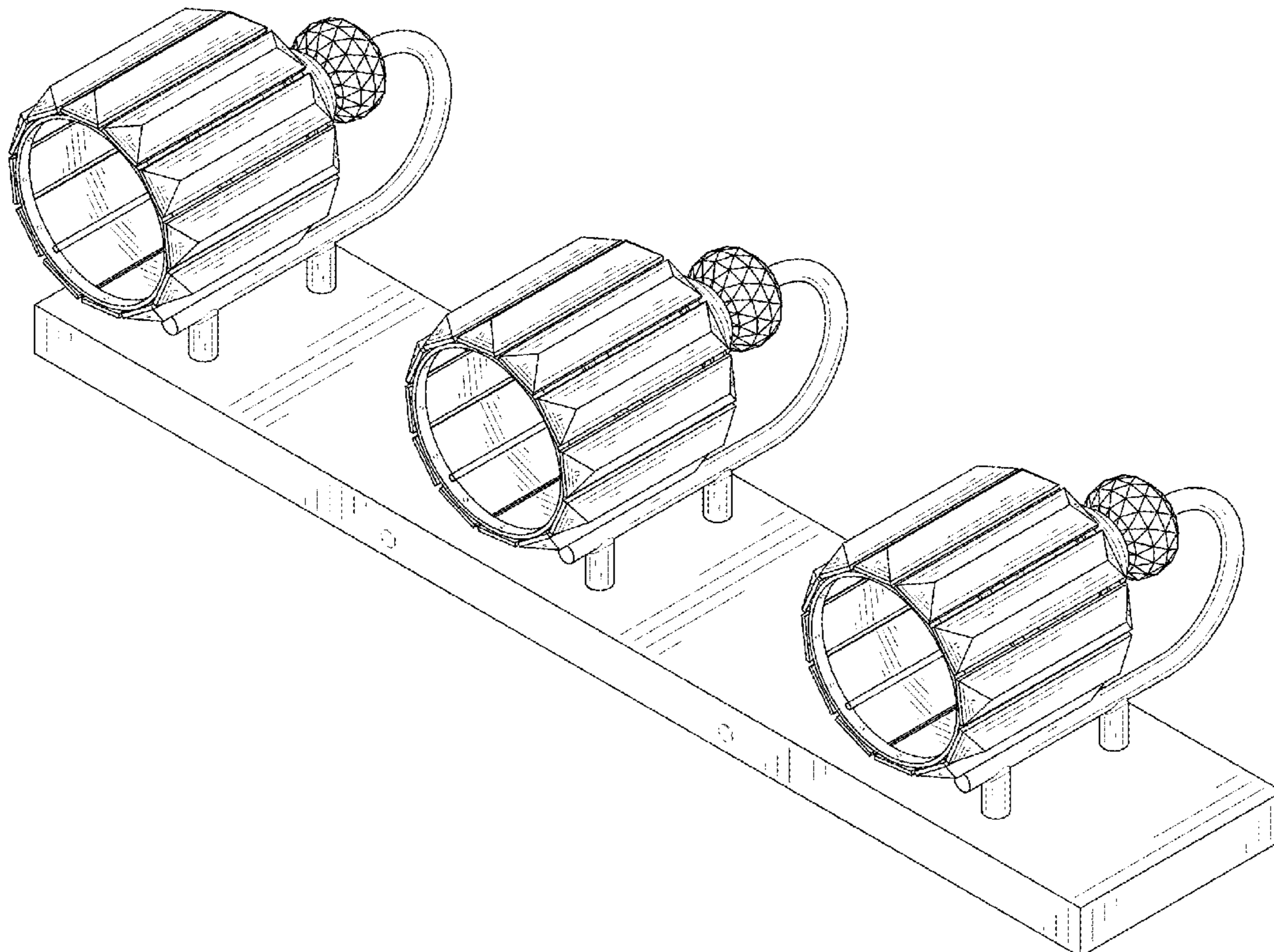
The ornamental design for a lamp, as shown and described.

DESCRIPTION

FIG. 1 is a front and bottom perspective view of a lamp, showing my new design;
FIG. 2 is a rear and top perspective view thereof;
FIG. 3 is a bottom plan view thereof;
FIG. 4 is a top plan view thereof;
FIG. 5 is a left side elevation view thereof;
FIG. 6 is a right side elevation view thereof;
FIG. 7 is a front elevation view thereof;
FIG. 8 is a rear elevation view thereof; and,
FIG. 9 is an enlarged fragmentary view taken from the rectangle 9 in FIG. 2.

The dashed broken lines in the figures illustrate portions of the article that form no part of the claimed design. The dash dot dash lines in FIGS. 2 and 9 are for the propose of depicting the cut line of the enlarged view and form no part of the claim.

1 Claim, 9 Drawing Sheets



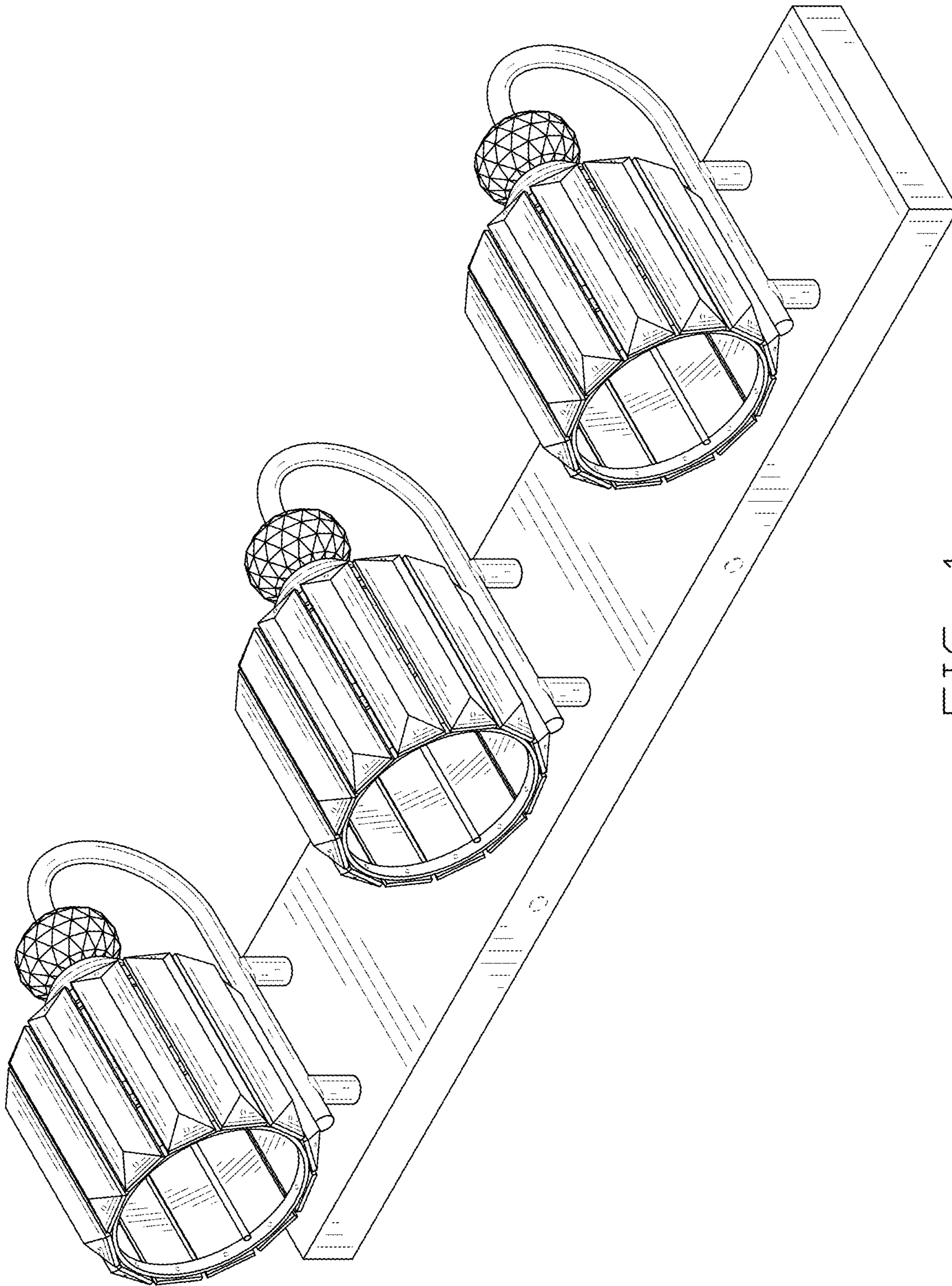


FIG. 1

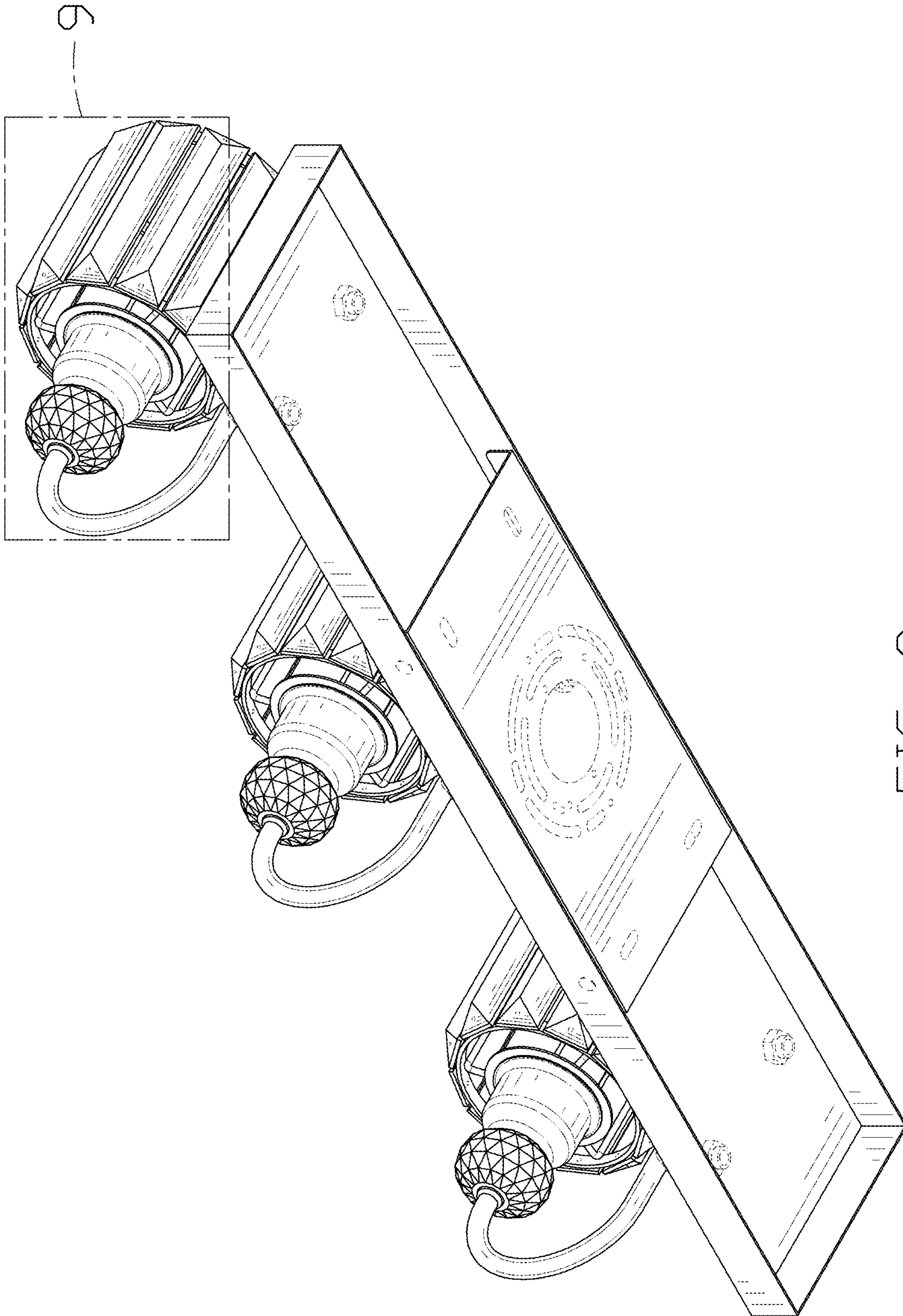


FIG. 2

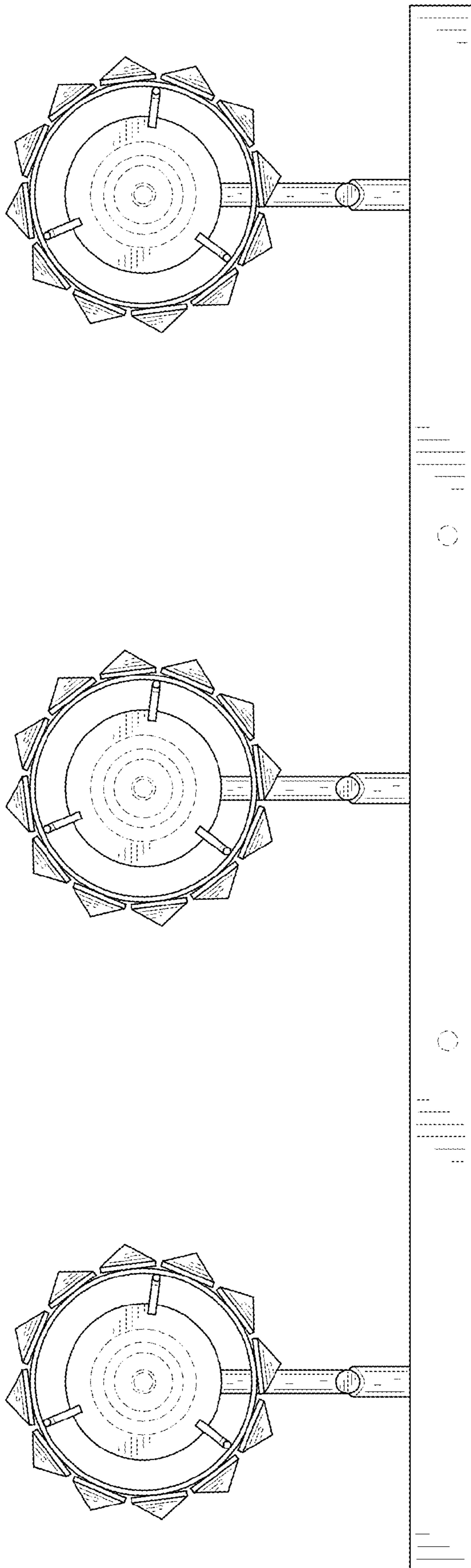


FIG. 3

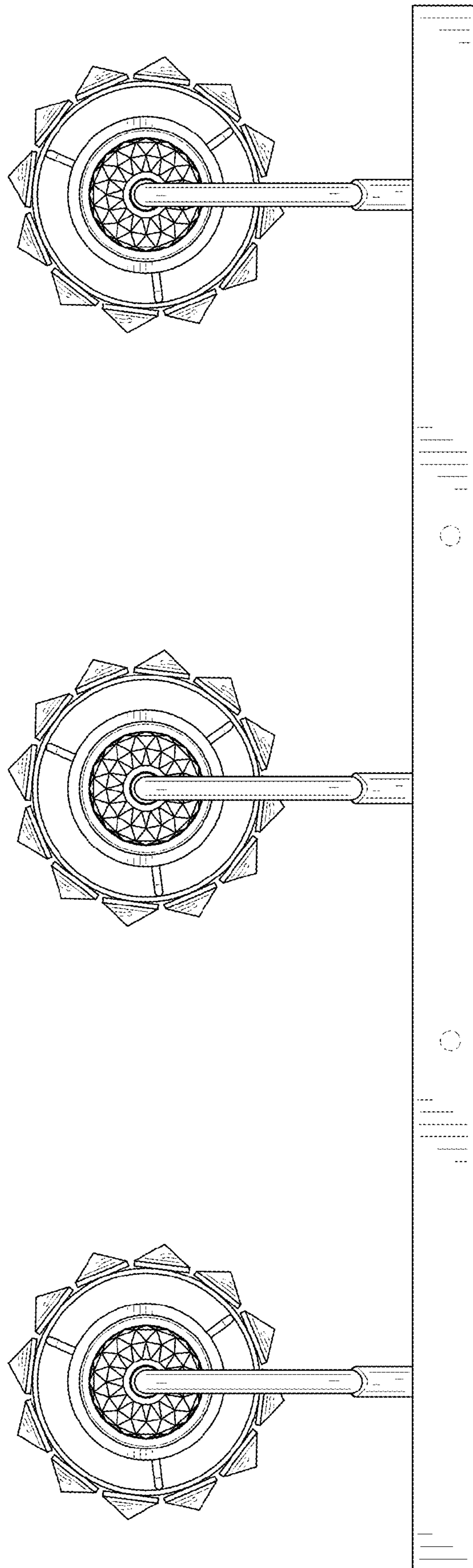


FIG. 4

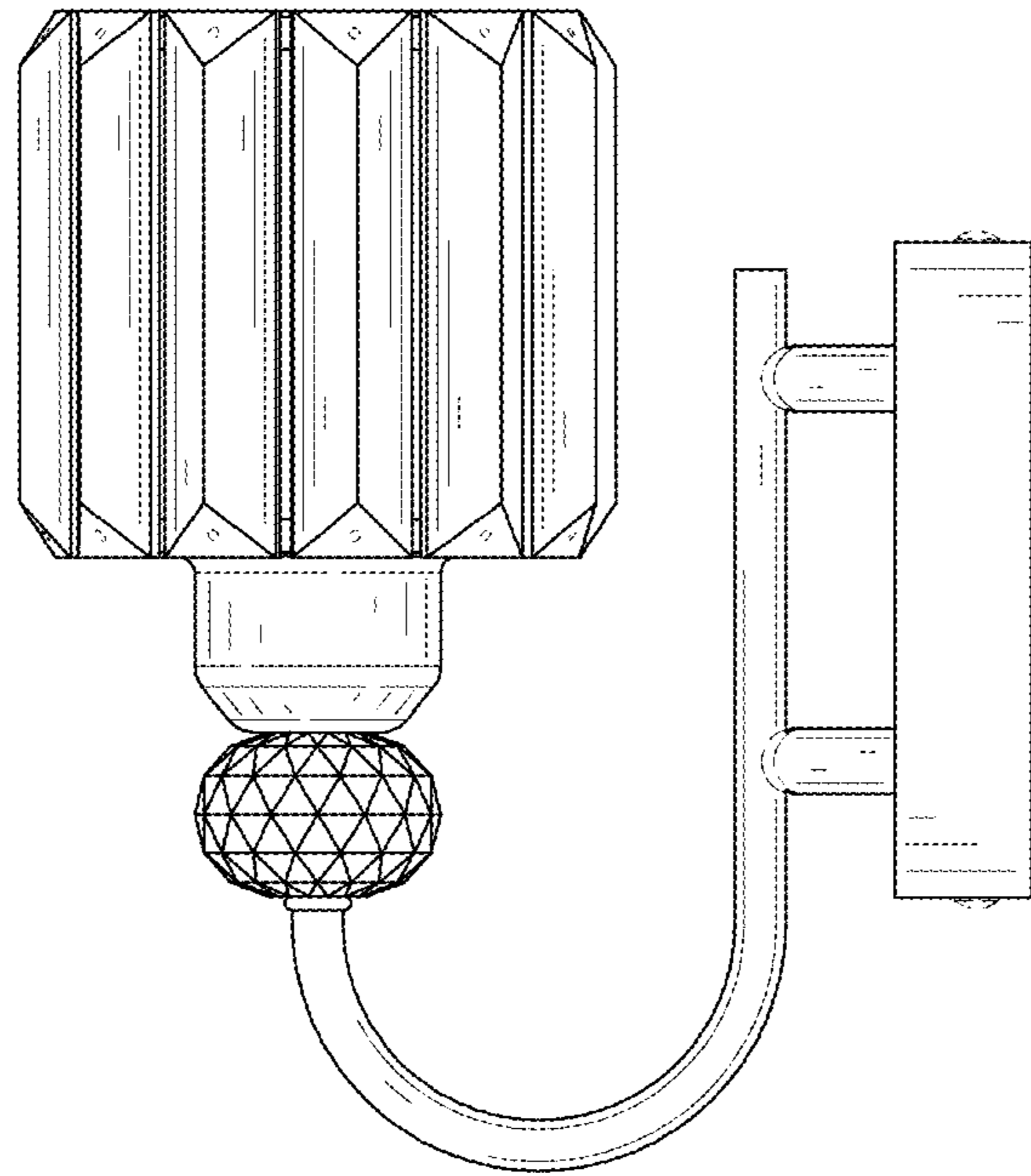


FIG. 5

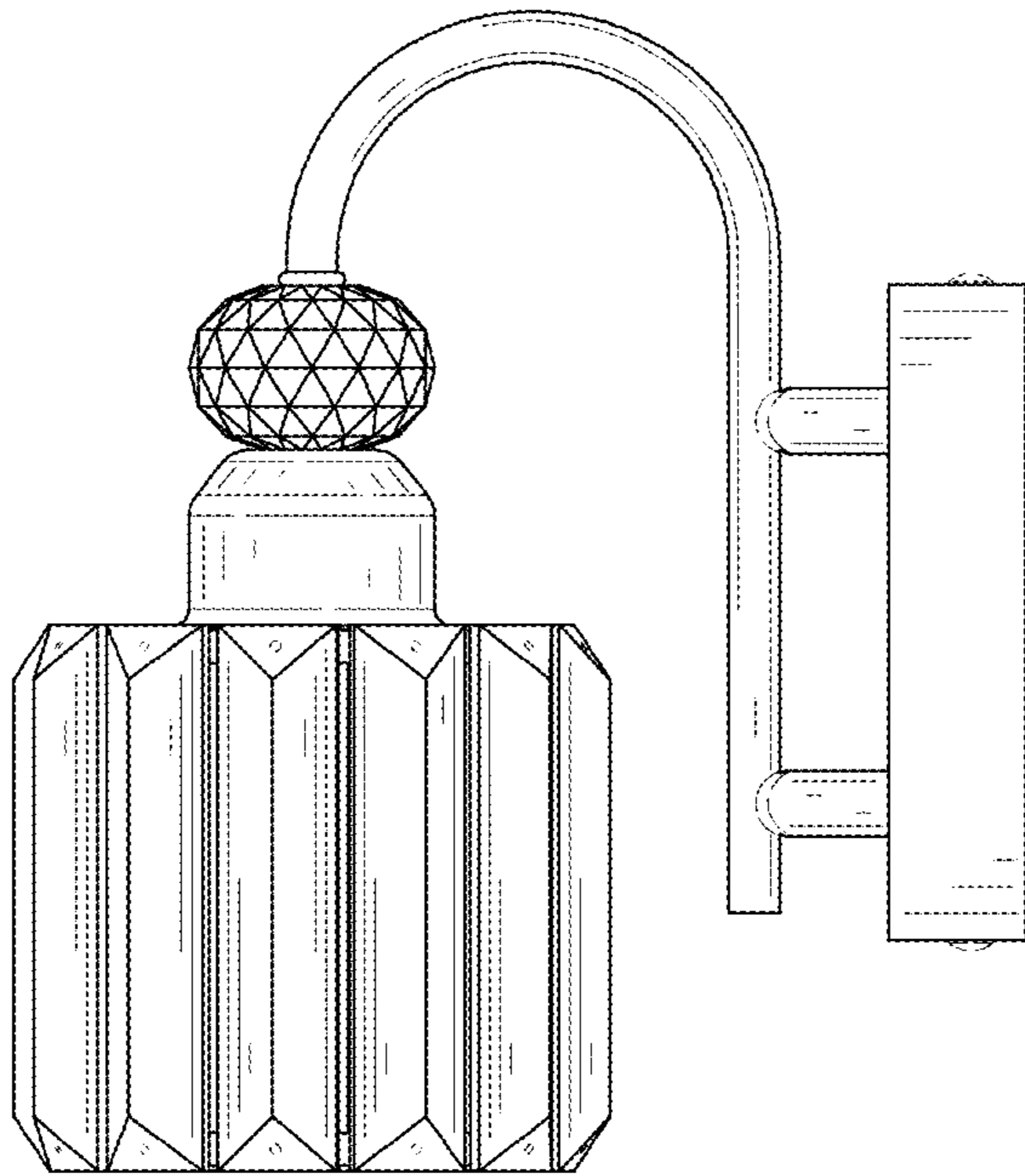


FIG. 6

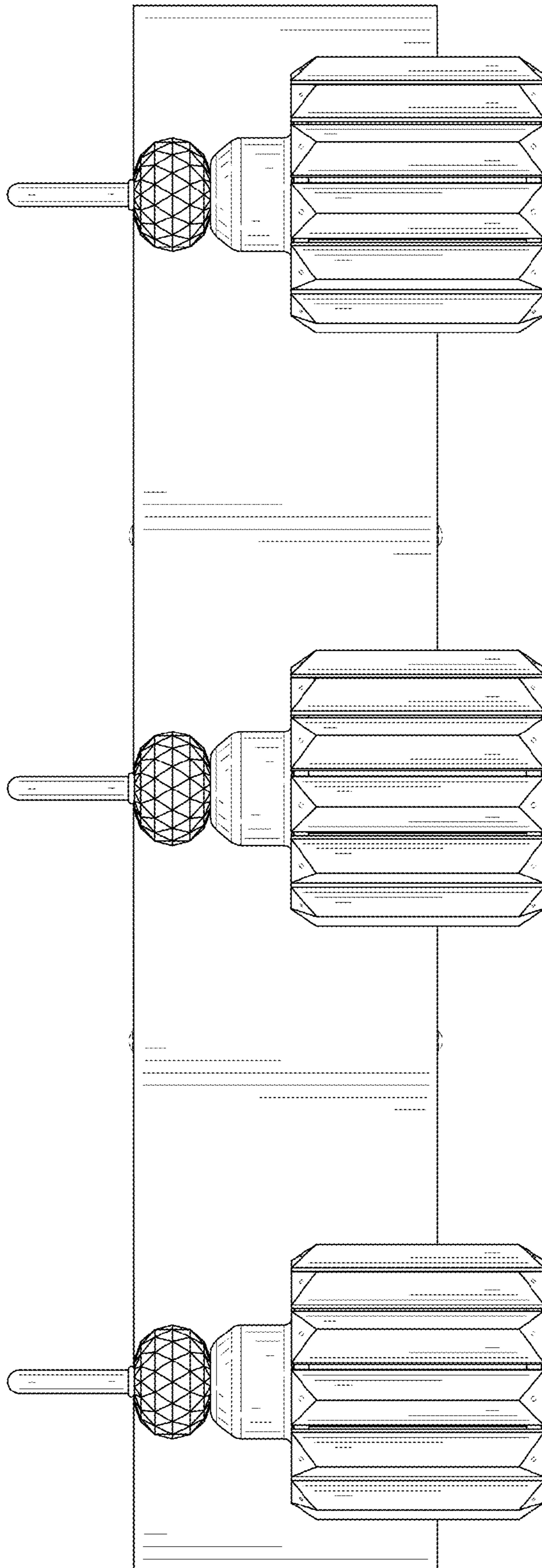


FIG. 7

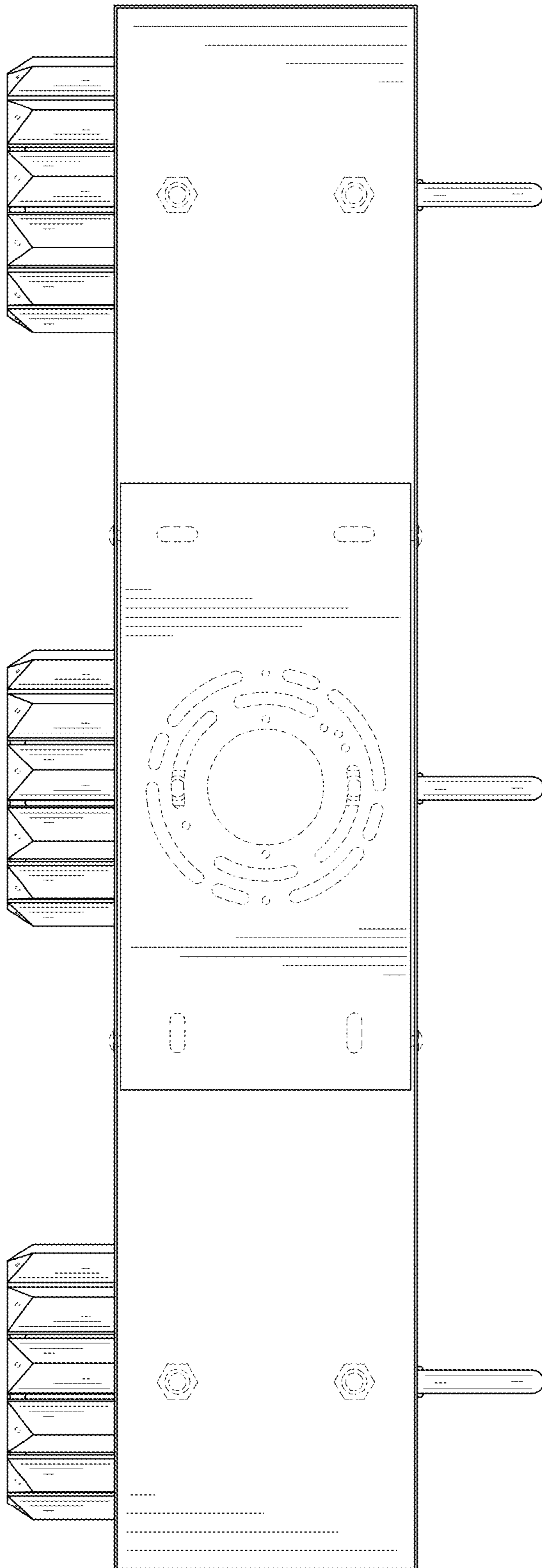


FIG. 8

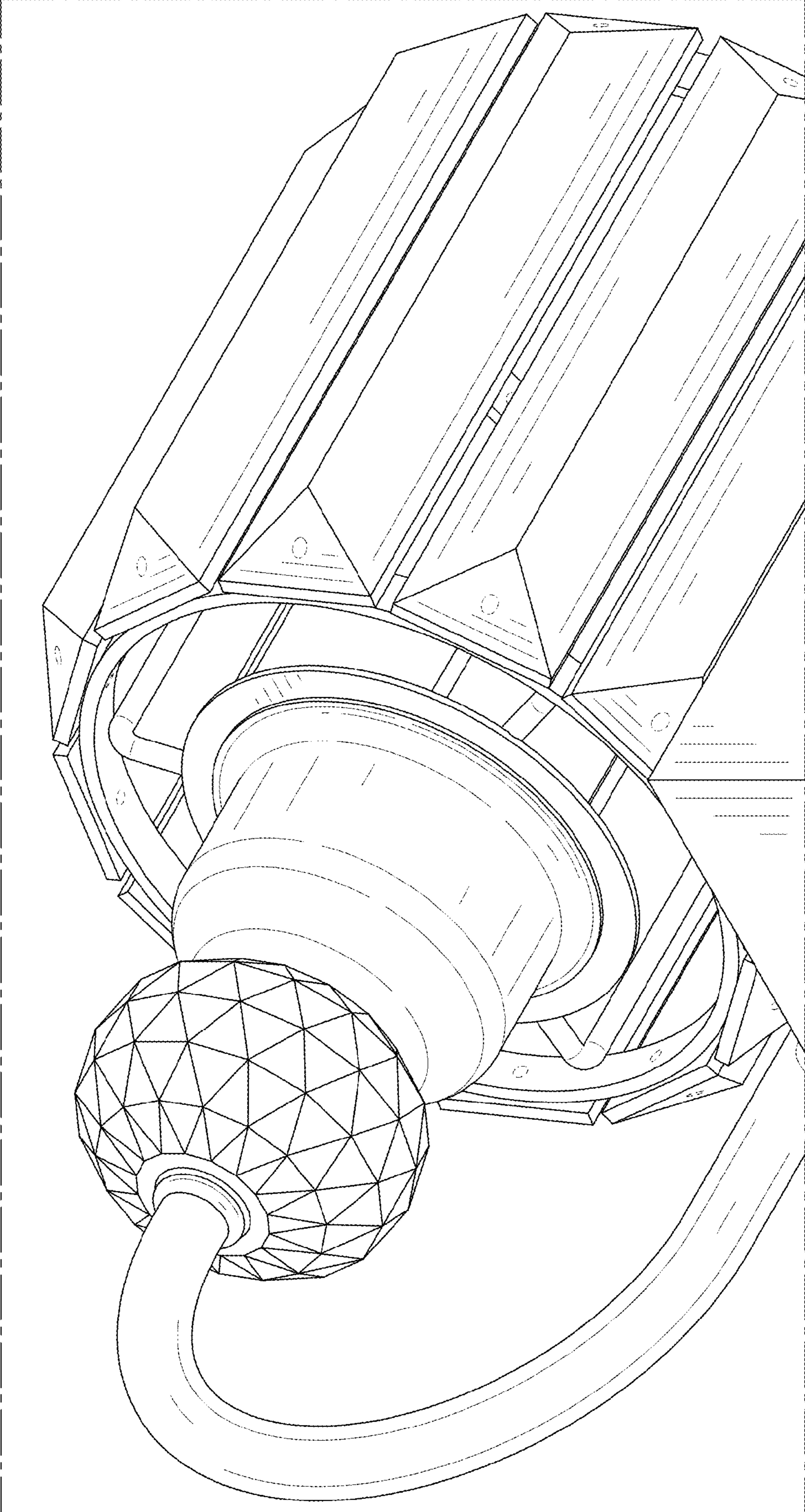


FIG. 9