



US00D917766S

(12) **United States Design Patent** (10) **Patent No.:** **US D917,766 S**
Amato et al. (45) **Date of Patent:** **** Apr. 27, 2021**

(54) **LIGHTING FIXTURE**

(71) Applicant: **The Urban Electric Company**, North Charleston, SC (US)
(72) Inventors: **Michael Amato**, London (GB); **David Dawson**, Charleston, SC (US); **Jonathan Charpia**, Summerville, SC (US); **Joeangel Casanova**, Brooklyn, NY (US); **Christopher Roof**, Charleston, SC (US); **Brianna Magagnoli**, North Charleston, SC (US); **Janis Golubeckis**, Mount Pleasant, SC (US)

(73) Assignee: **The Urban Electric Company**, North Charleston, SC (US)

(**) Term: **15 Years**

(21) Appl. No.: **29/697,005**

(22) Filed: **Jul. 3, 2019**

(51) **LOC (13) Cl.** **26-03**

(52) **U.S. Cl.**
USPC **D26/87**

(58) **Field of Classification Search**
USPC D26/72, 85-87, 92
CPC F21S 8/03; F21S 8/035; F21S 8/036; F21S 8/046

See application file for complete search history.

(56) **References Cited**

U.S. PATENT DOCUMENTS

D42,961 S *	9/1912	D'Olier, Jr.	D26/128
D50,684 S *	5/1917	Guth	D26/87
D104,401 S *	5/1937	Kanter	D26/63
D222,810 S *	1/1972	Husby et al.	D26/68
D231,679 S *	5/1974	Keller	D26/87
D233,166 S *	10/1974	Gore et al.	D26/87

(Continued)

OTHER PUBLICATIONS

360 Lighting Modern Wall Lamp available at target.com, visited Feb. 24, 2021. (Year: 2021).*

(Continued)

Primary Examiner — Clare E Heflin
(74) *Attorney, Agent, or Firm* — Haynsworth Sinkler Boyd, P.A.

(57) **CLAIM**

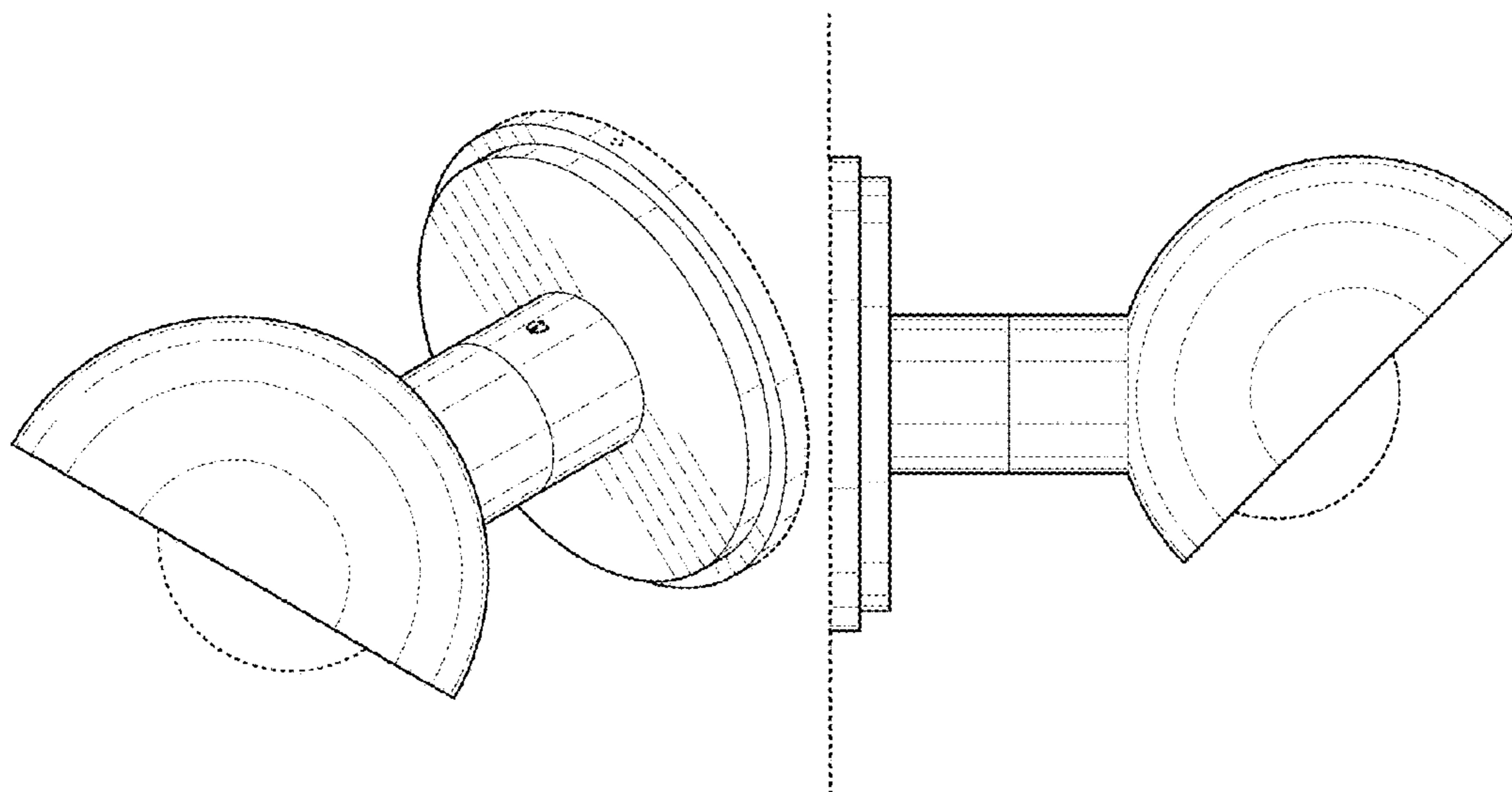
The ornamental design for lighting fixture, as shown and described.

DESCRIPTION

FIG. 1 is a front perspective view of a lighting fixture showing a first embodiment of a new design; FIG. 2 is a back perspective view thereof; FIG. 3 is a front elevational view thereof; FIG. 4 is a back elevational view thereof; FIG. 5 is a left elevational view thereof; FIG. 6 is a right elevational view thereof; FIG. 7 is a top plan view thereof; and FIG. 8 is a bottom plan view thereof; FIG. 9 is a front perspective view of a lighting fixture showing a second embodiment of a new design; FIG. 10 is a back perspective view thereof; FIG. 11 is a front elevational view thereof; FIG. 12 is a back elevational view thereof; FIG. 13 is a left elevational view thereof; FIG. 14 is a right elevational view thereof; FIG. 15 is a top plan view thereof; and, FIG. 16 is a bottom plan view thereof.

The broken lines extending from the perimeter of the lighting fixtures in FIGS. 5-8 and FIGS. 13-16 represent environment which forms no part of the claimed design. The remaining broken line disclosures in the views represent portions of the lighting fixture that form no part of the claimed design.

1 Claim, 16 Drawing Sheets



(56)

References Cited

U.S. PATENT DOCUMENTS

5,251,118 A * 10/1993 Budnovitch F21S 8/033
362/362
D350,621 S * 9/1994 Yuen D26/63
D488,246 S * 4/2004 Lee D26/63
D703,364 S * 4/2014 Meise D26/87
D818,177 S 5/2018 Amato et al.
D845,534 S * 4/2019 Van Duysen D26/87
D870,349 S * 12/2019 Miller D26/87

OTHER PUBLICATIONS

Arterburn 1—Light Brass Armed Sconce by George Oliver, available at wayfair.com, visited Feb. 24, 2021. (Year: 2021).*
Foster 2¼" Sconce , Item #A0903 available at rejuvenation.com, visited Feb. 24, 2021. (Year: 2021).*

* cited by examiner

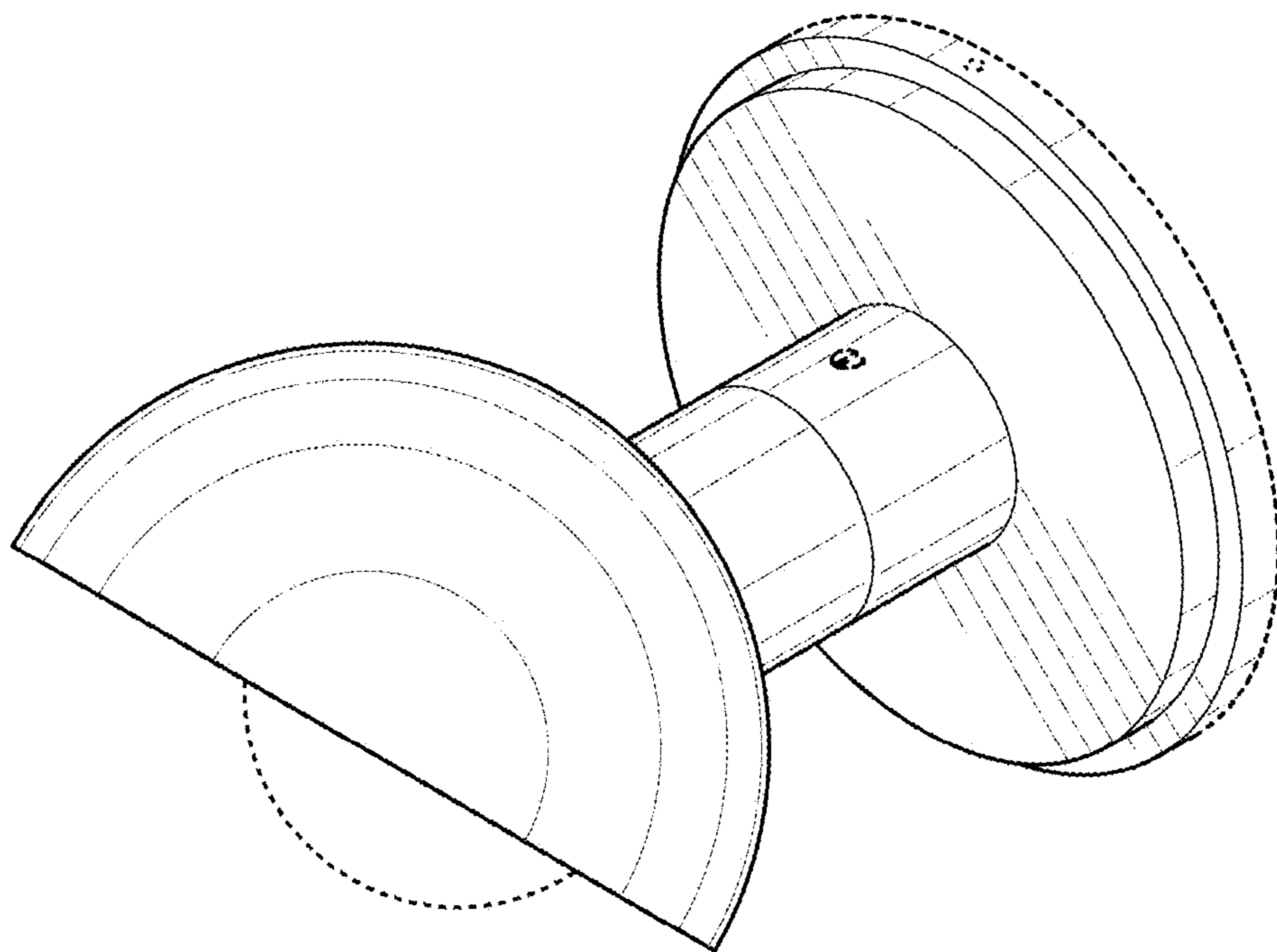


FIG. 1

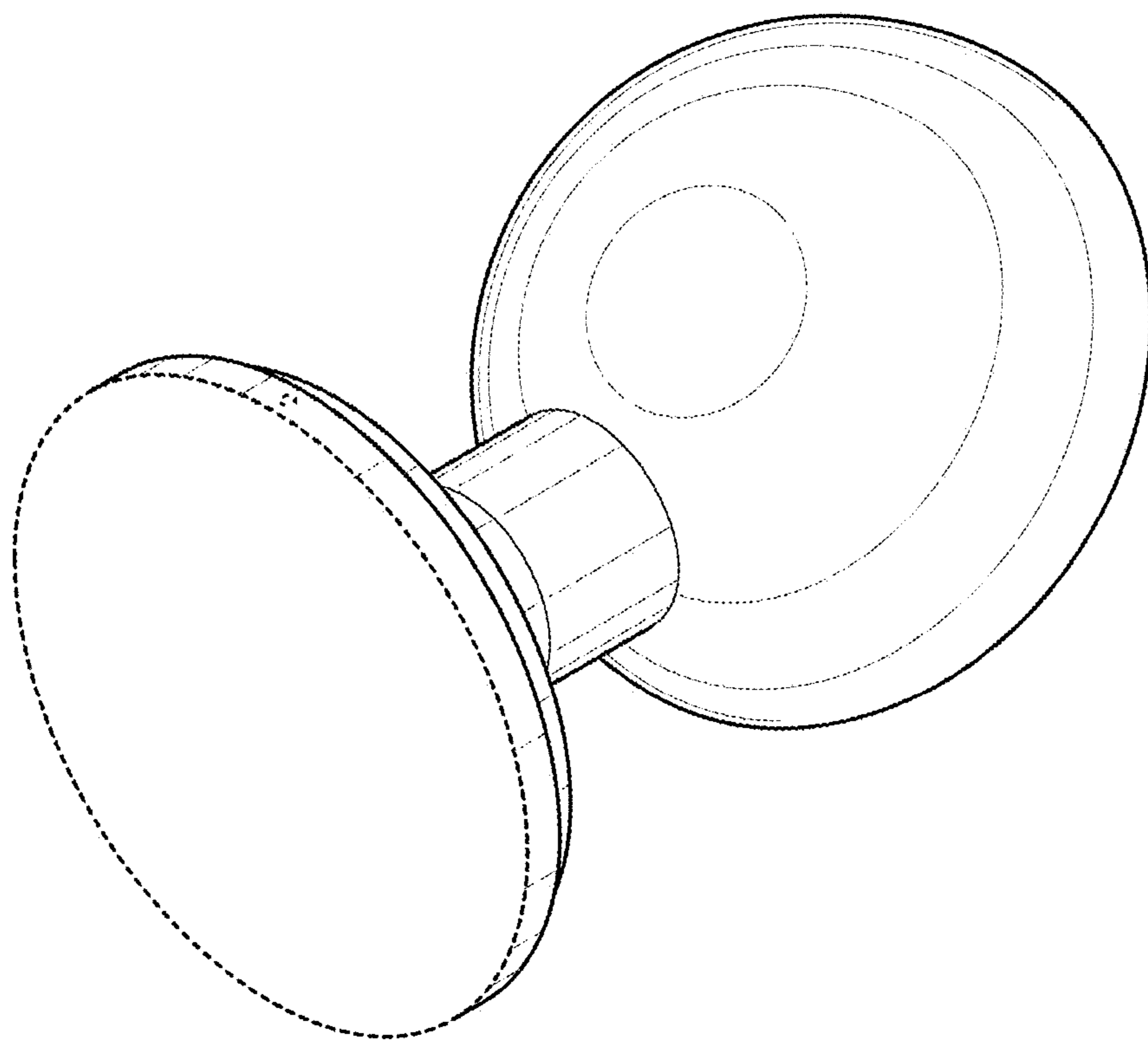


FIG. 2

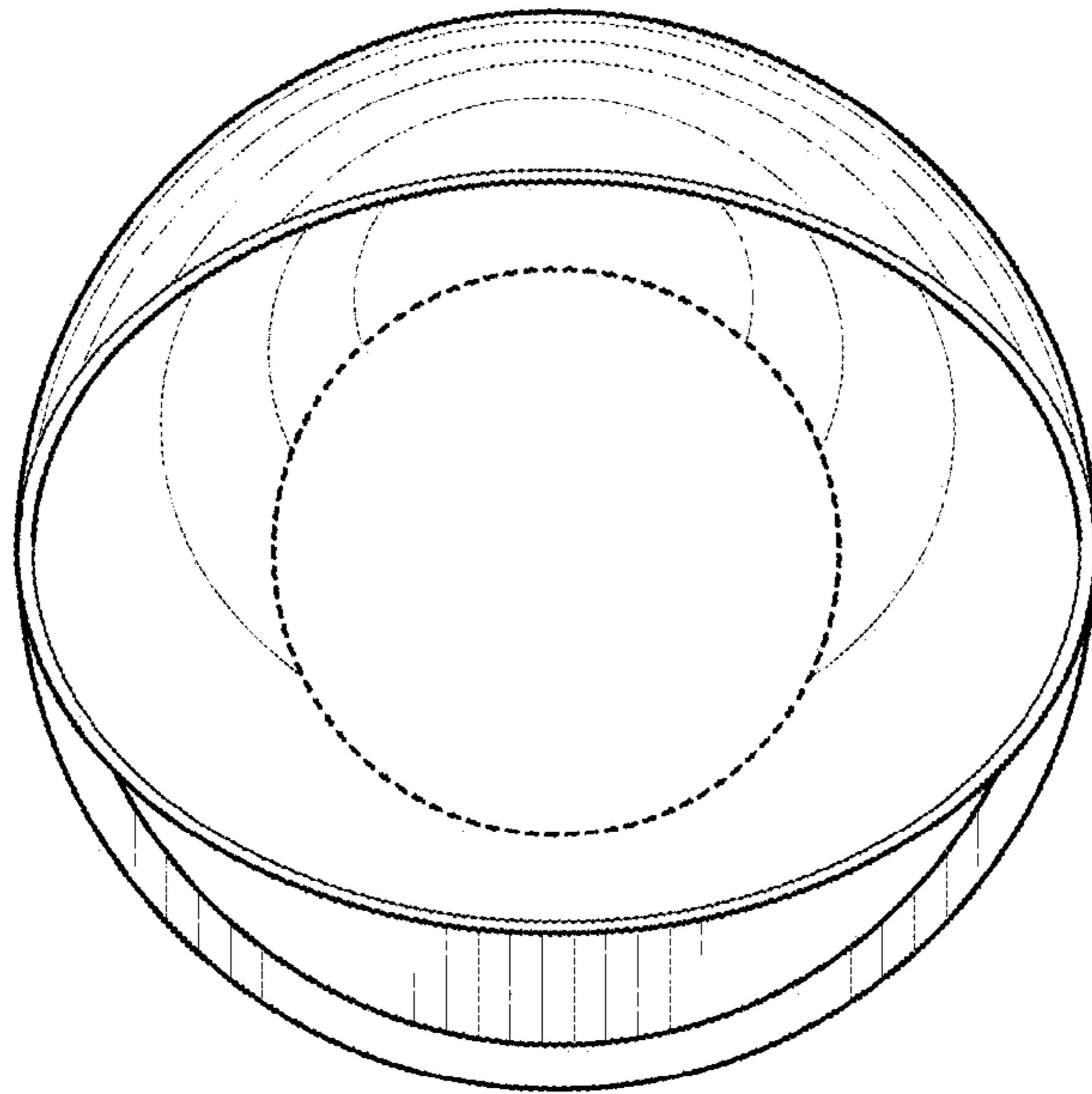


FIG. 3

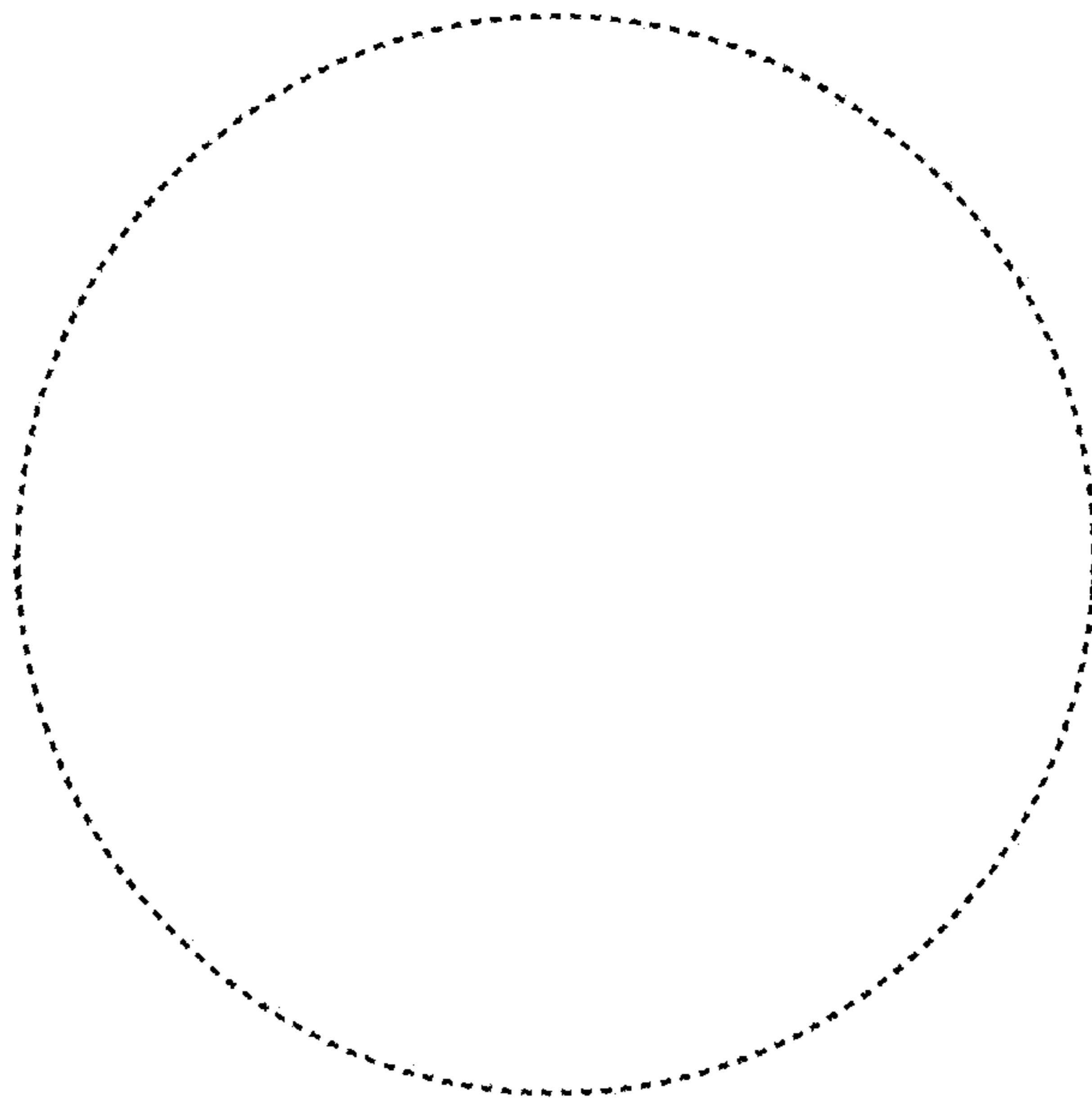
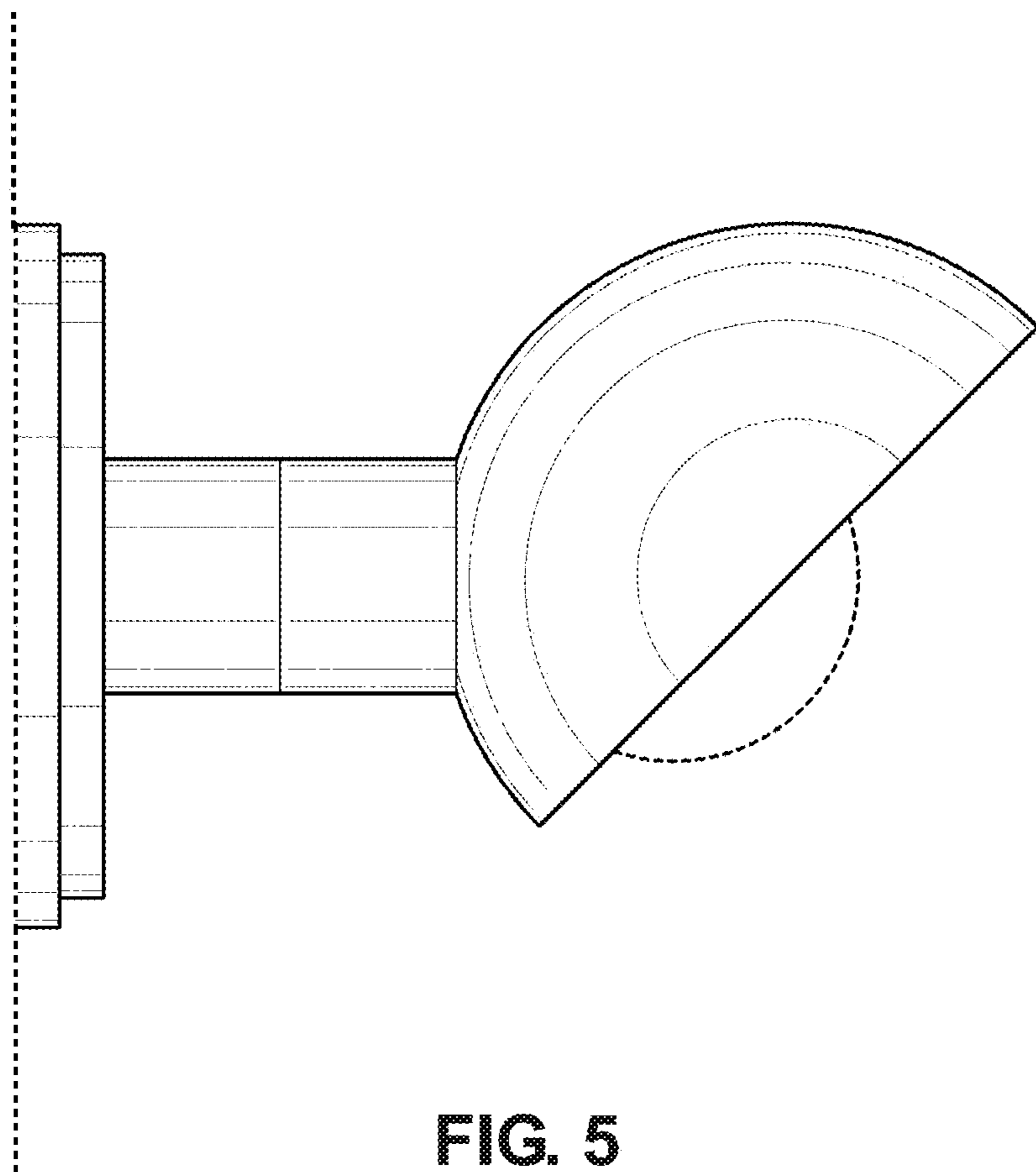


FIG. 4



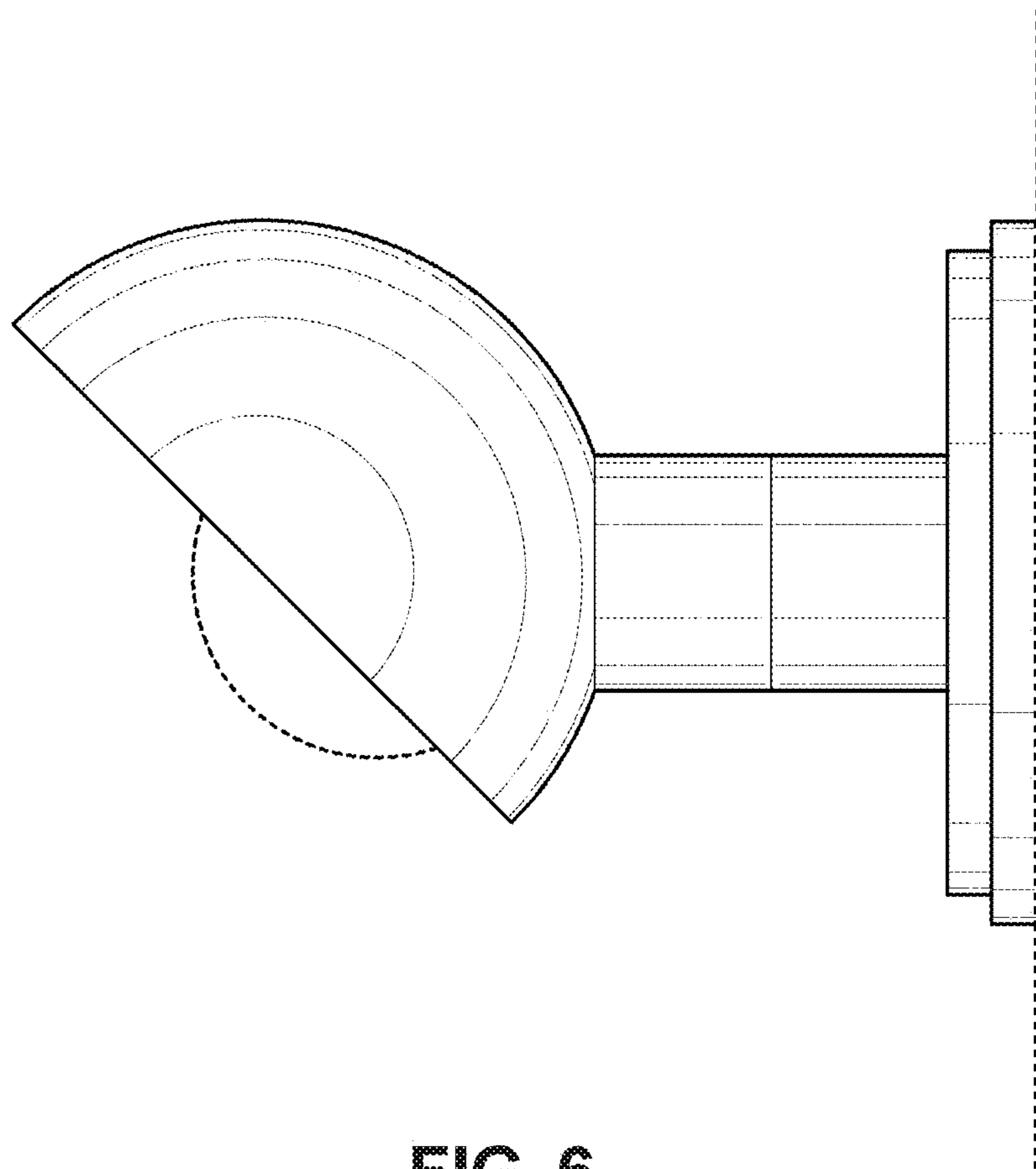


FIG. 6

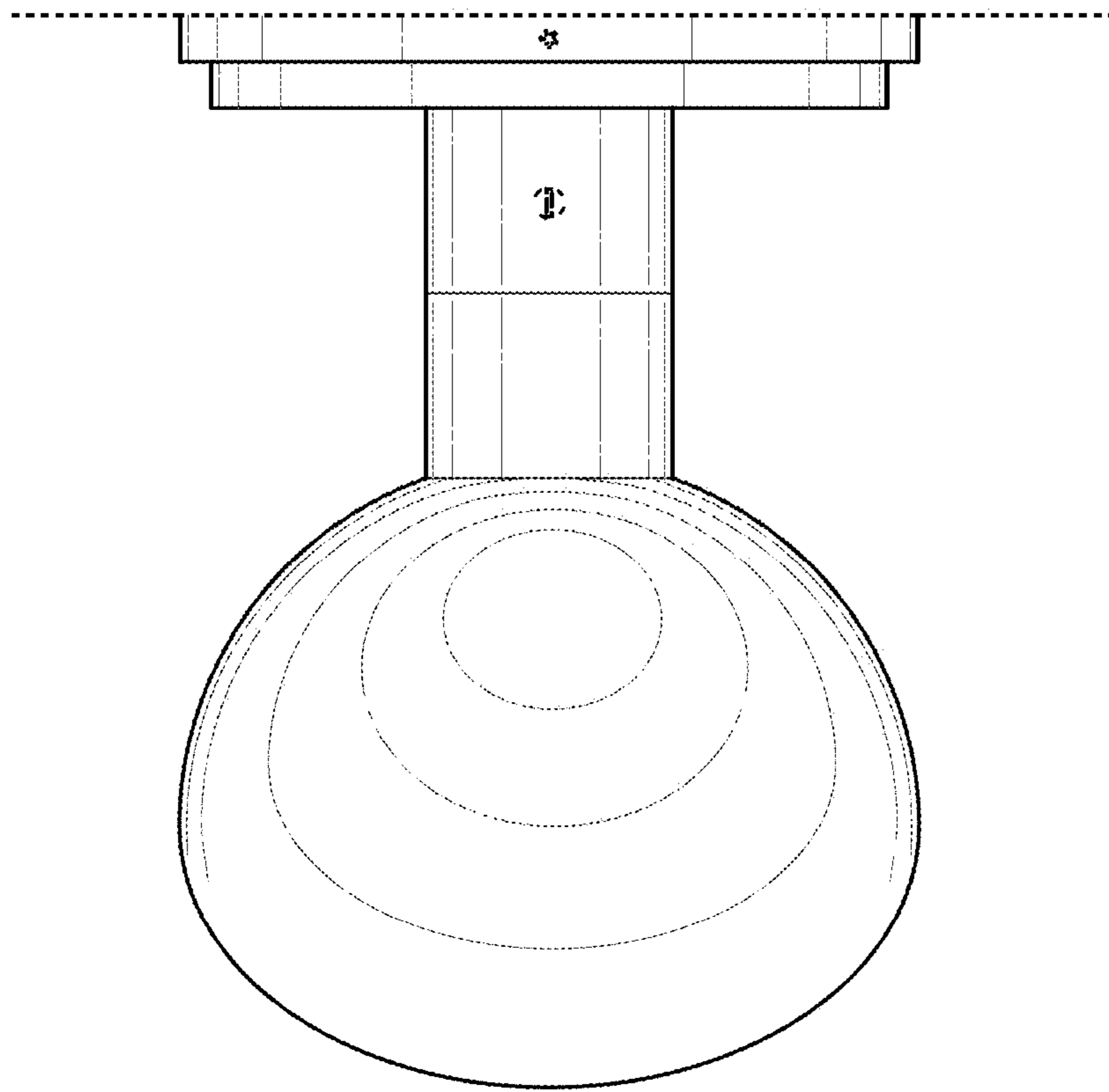


FIG. 7

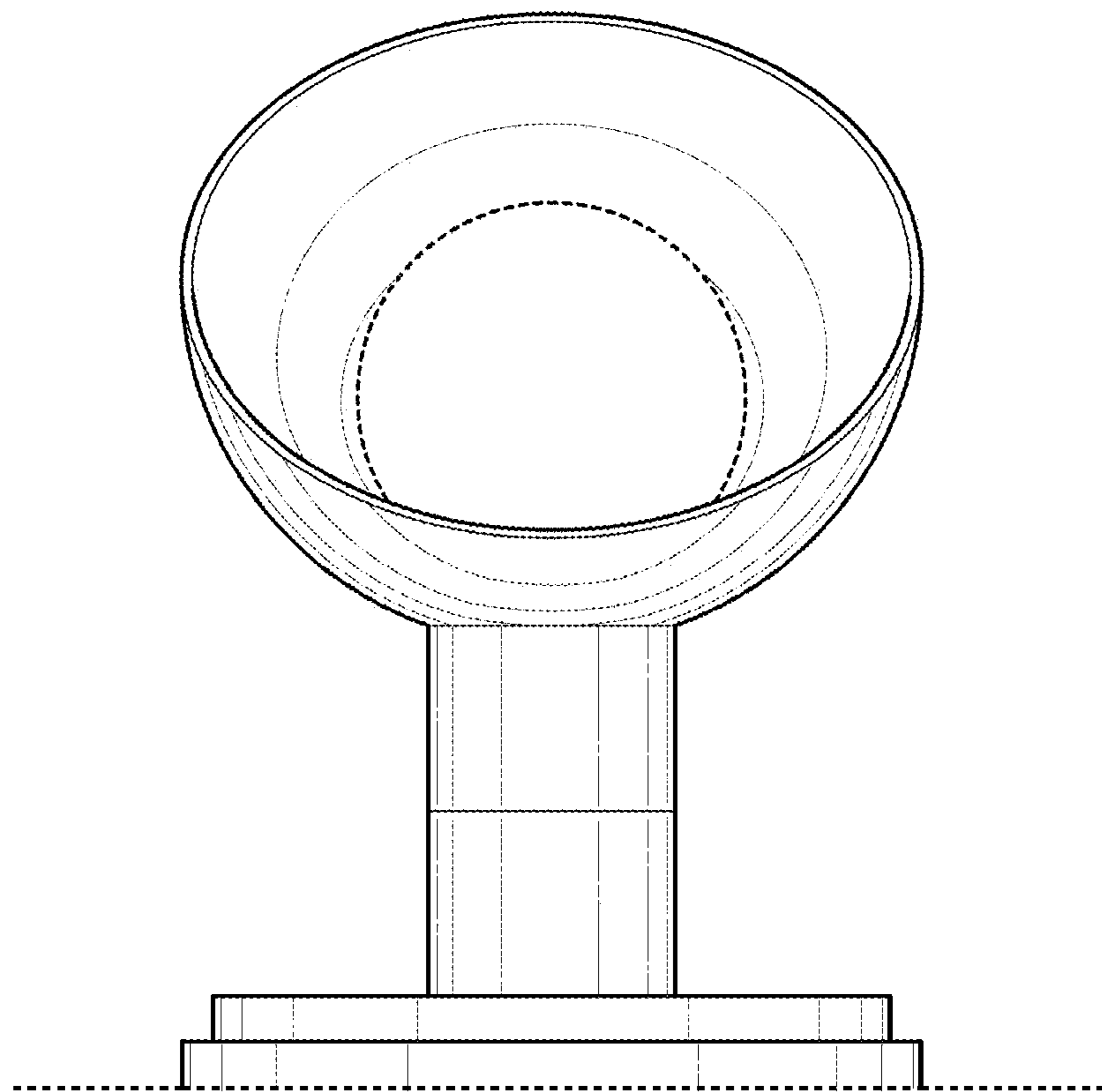


FIG. 8

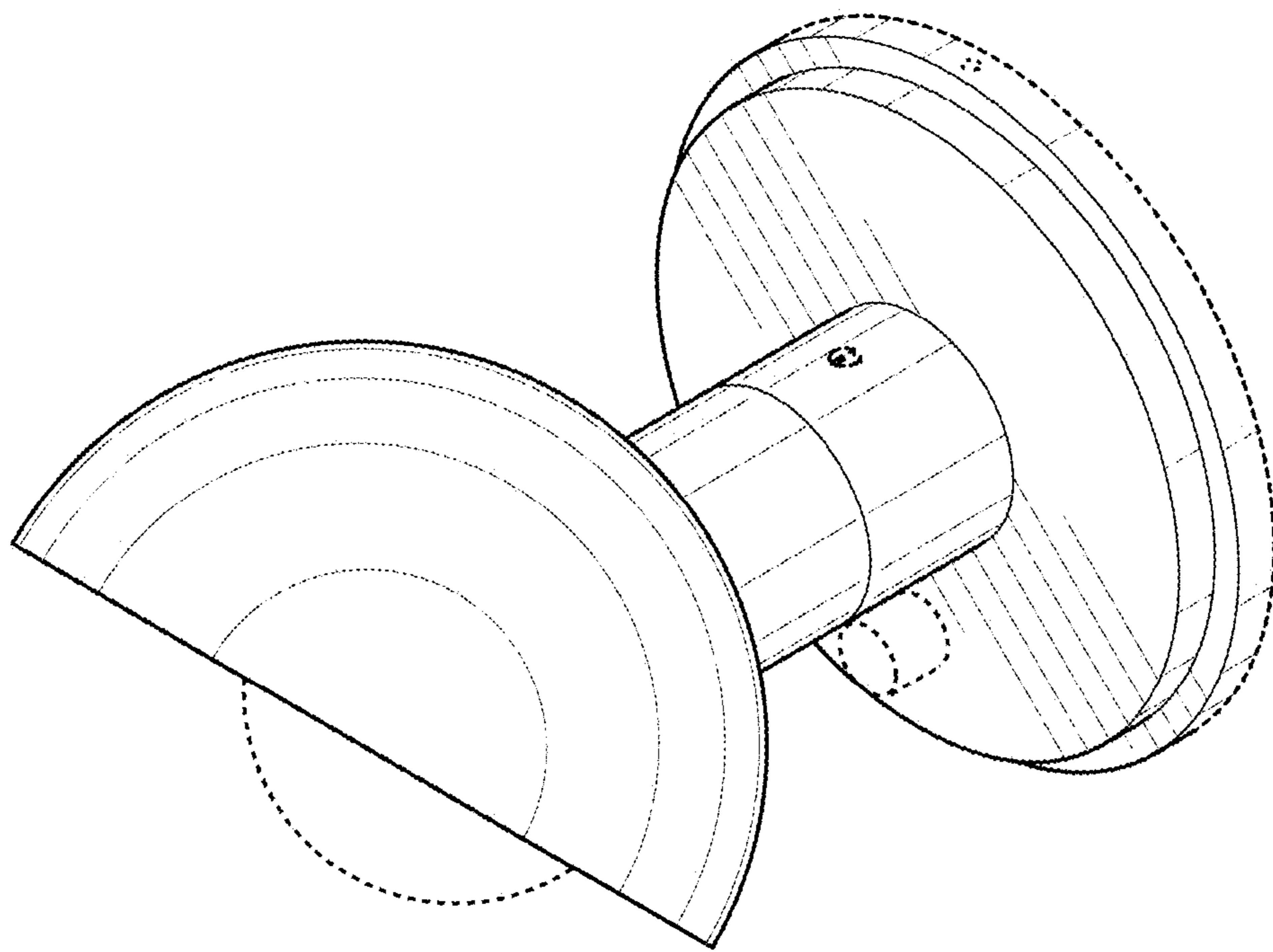


FIG. 9

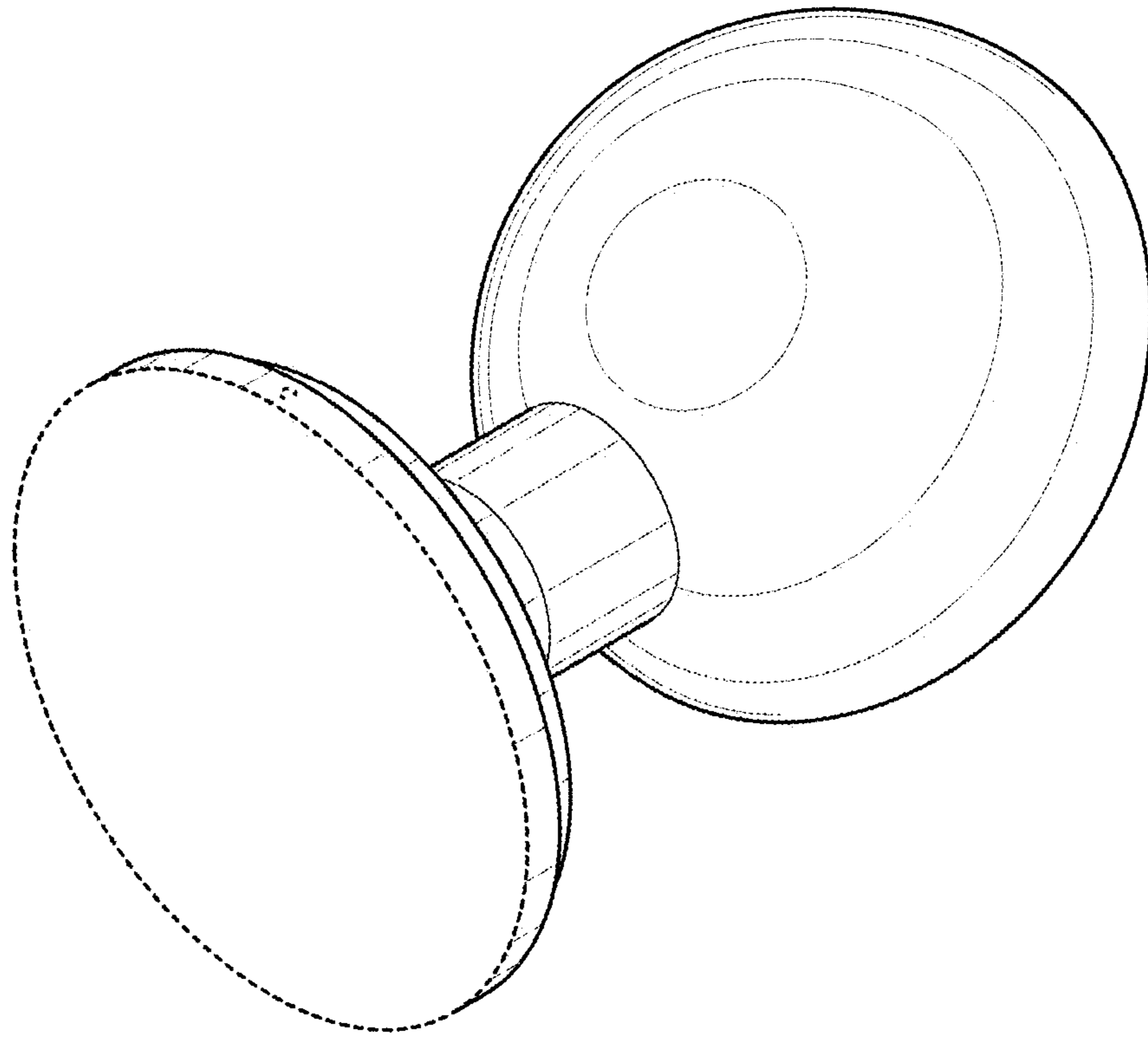


FIG. 10

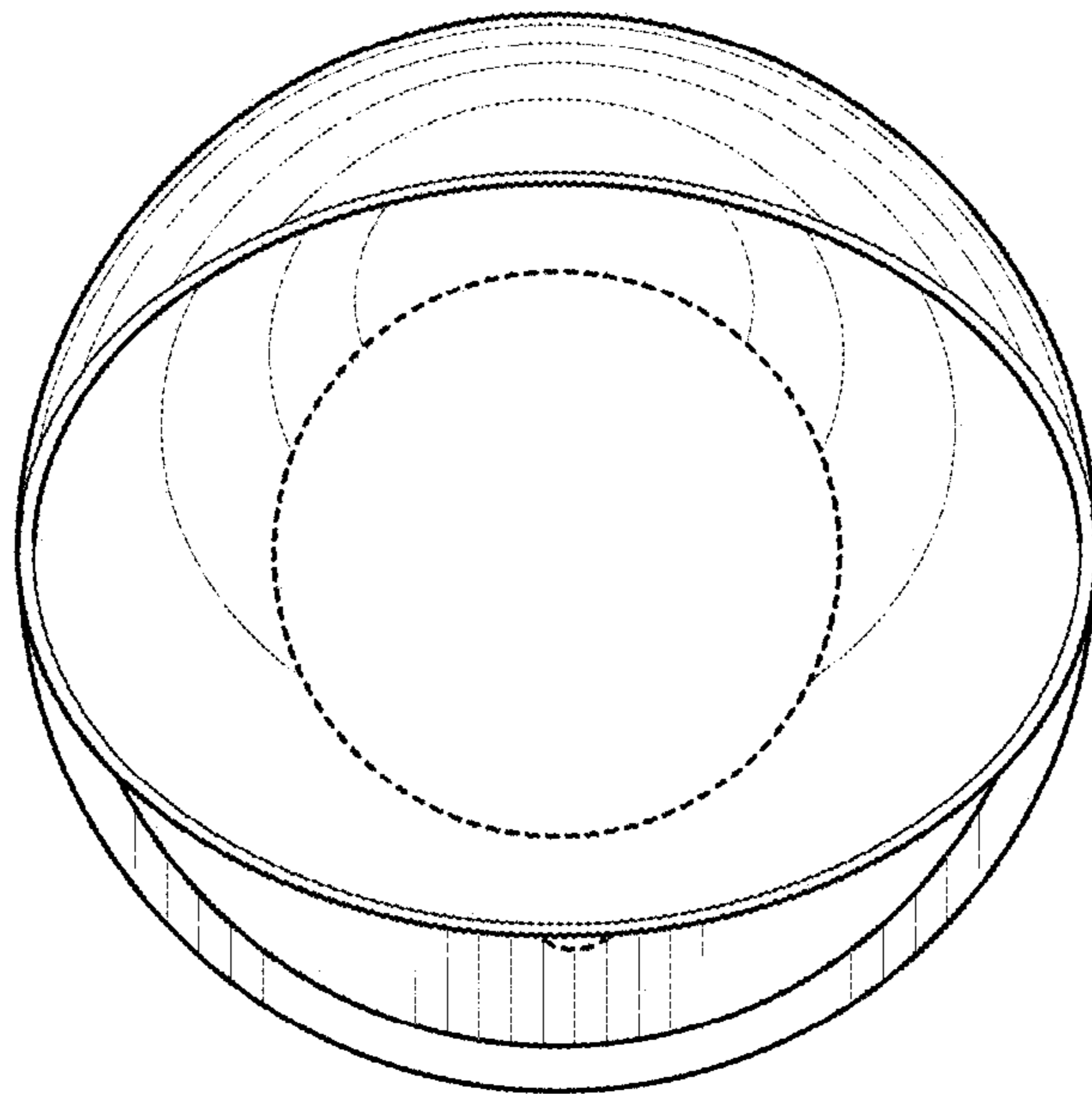


FIG. 11

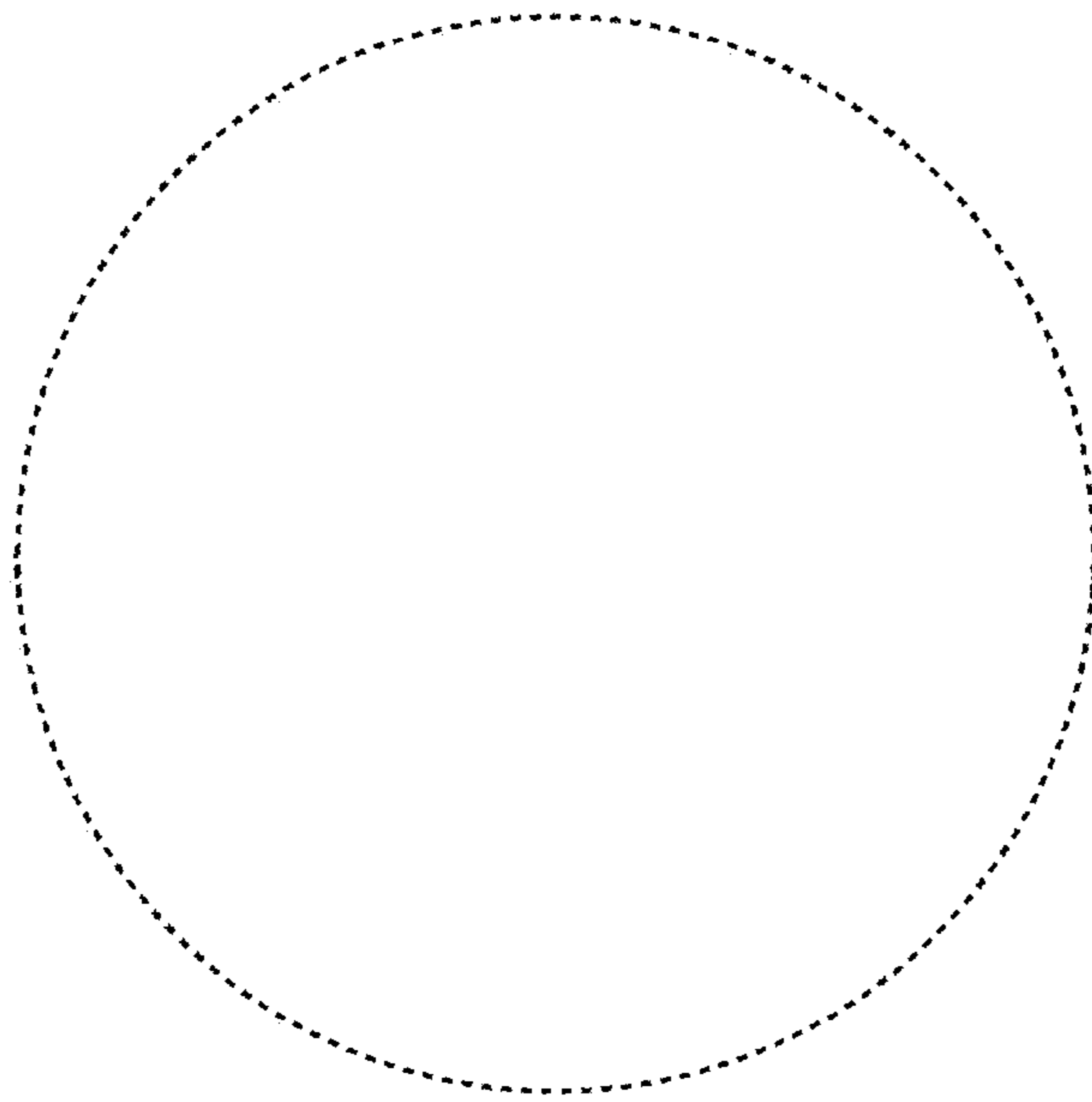


FIG. 12

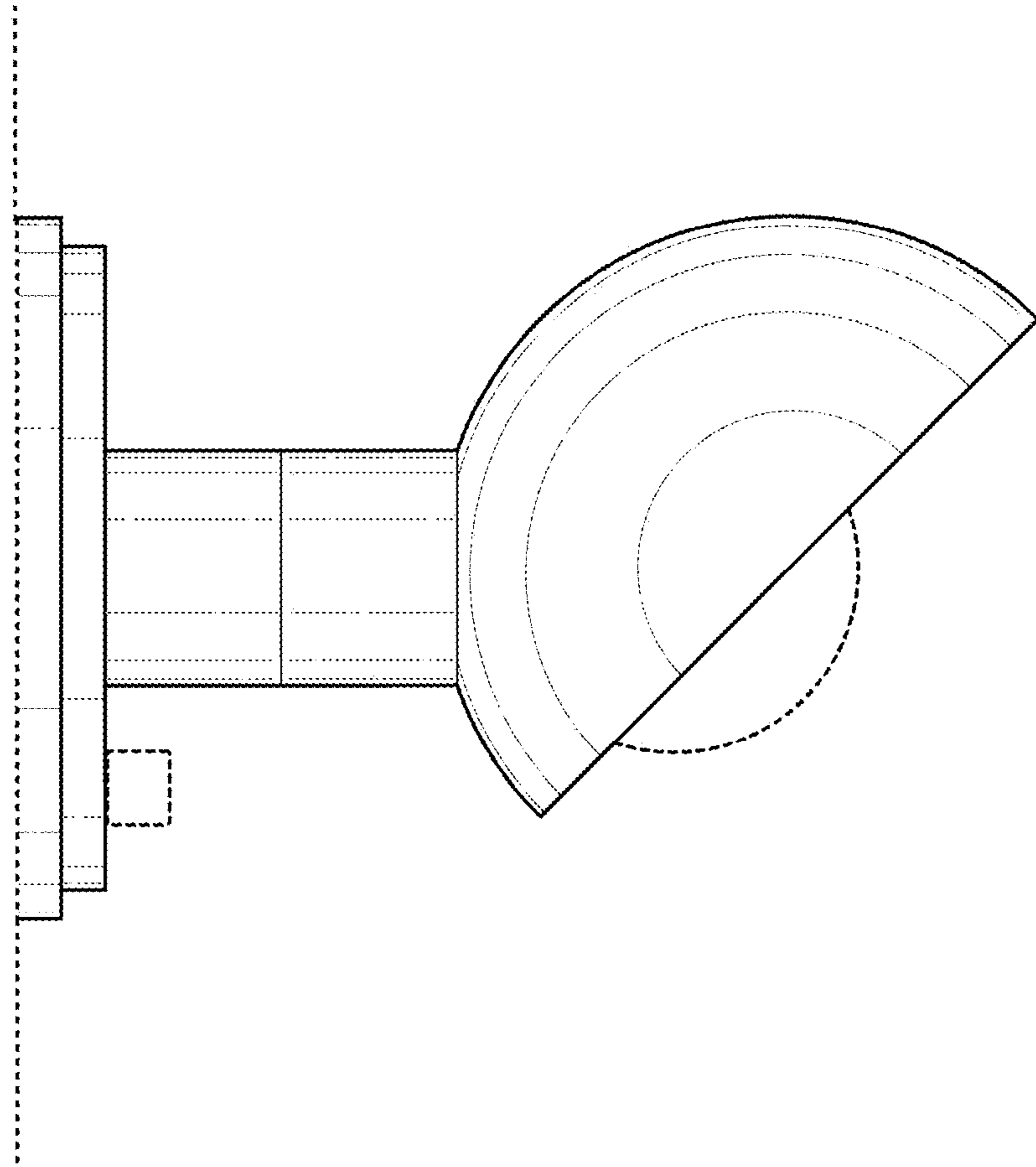


FIG. 13

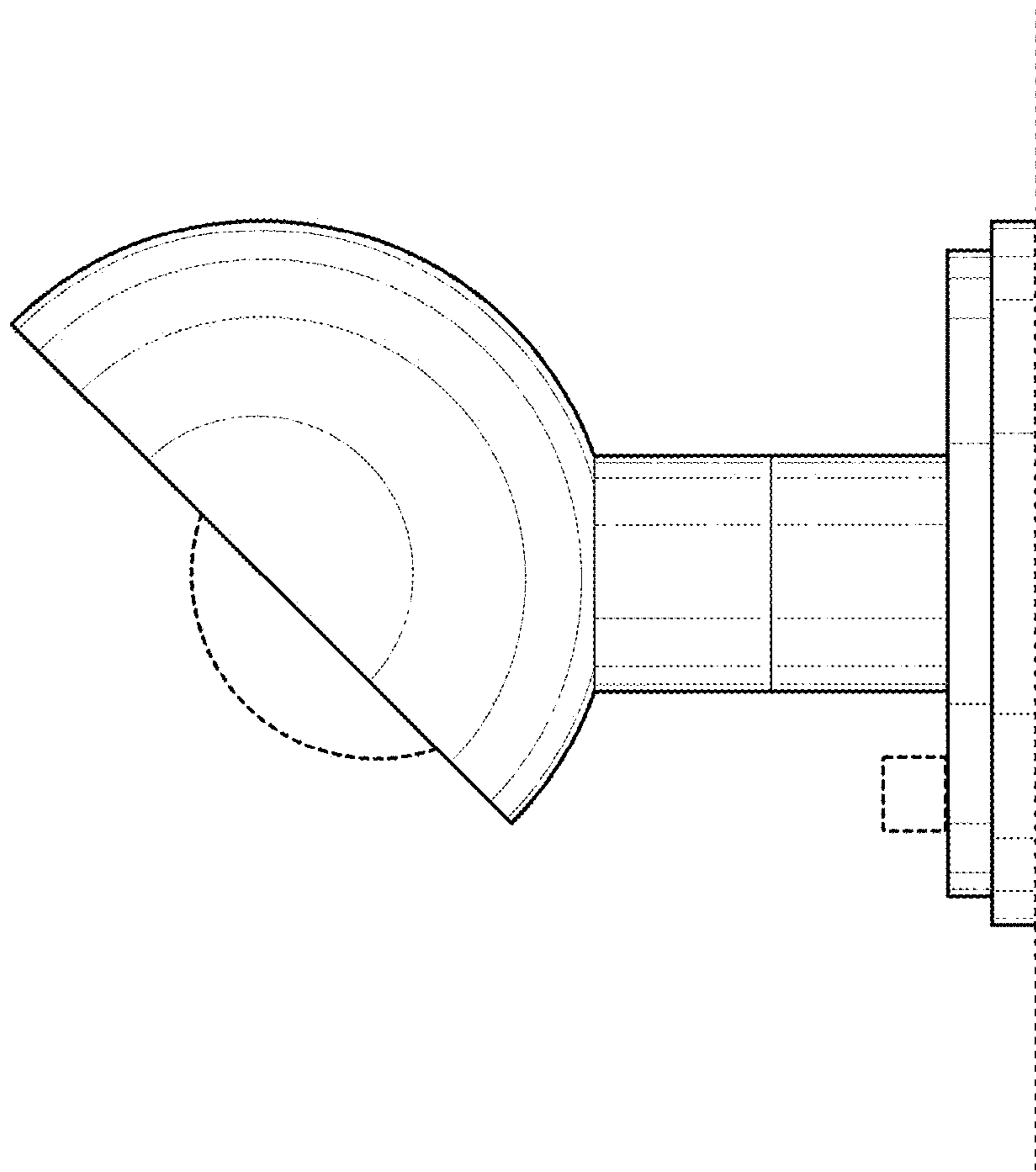


FIG. 14

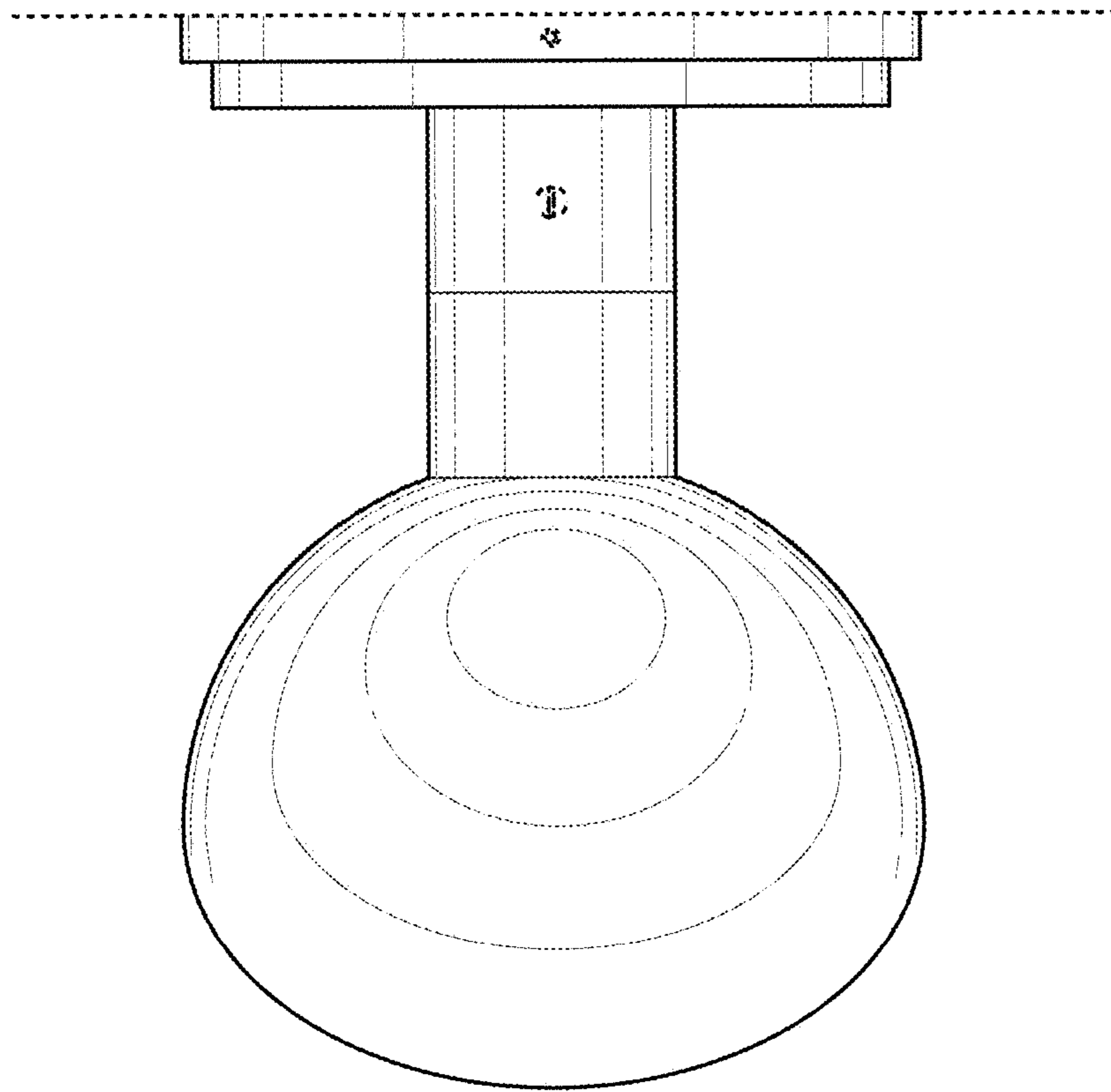


FIG. 15

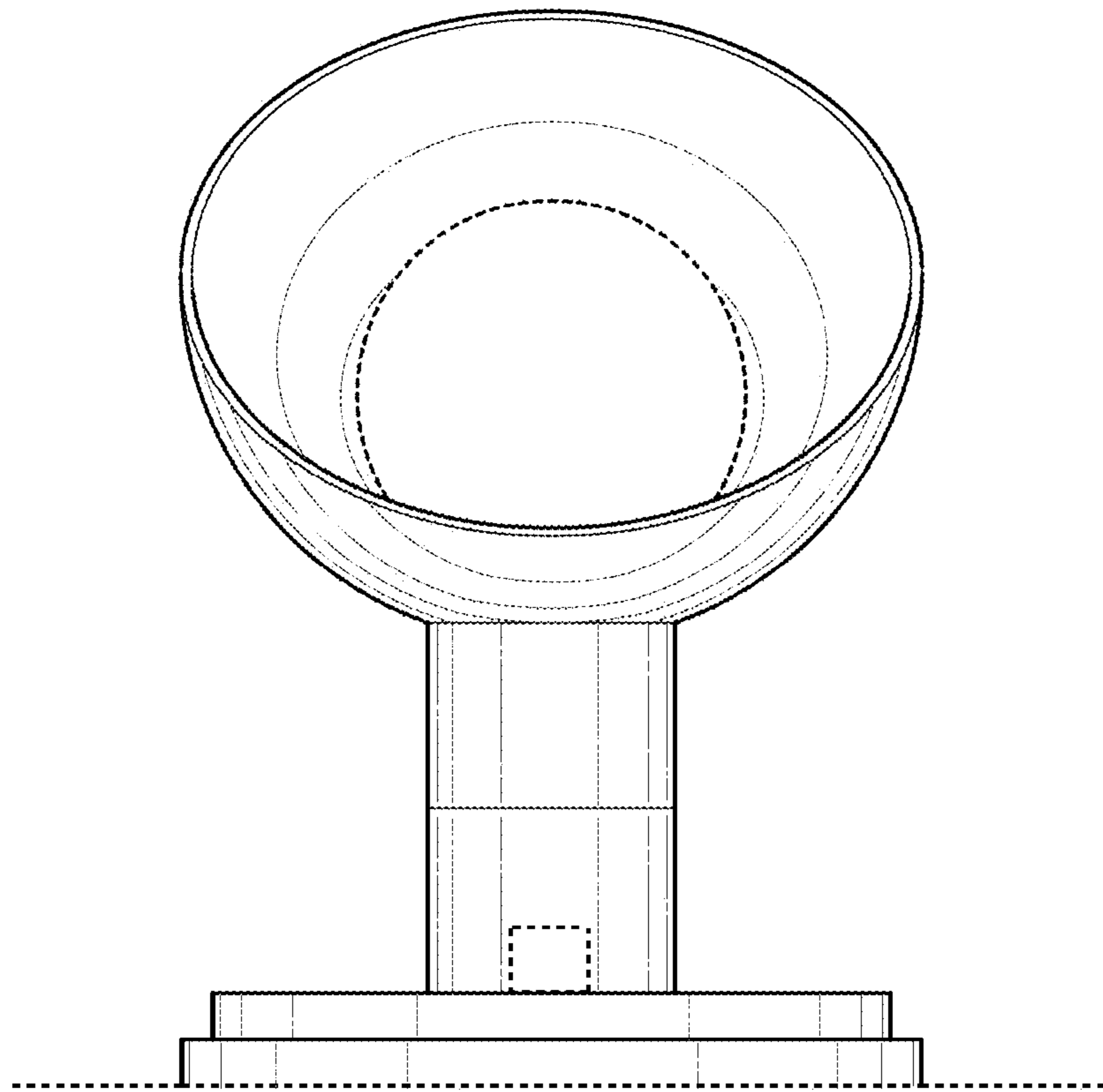


FIG. 16