



US00D917765S

(12) **United States Design Patent**  
**Cornelissen**

(10) **Patent No.:** **US D917,765 S**

(45) **Date of Patent:** **\*\* Apr. 27, 2021**

(54) **LUMINAIRE**

(71) Applicant: **Beta-Calco Inc.**, Toronto (CA)

(72) Inventor: **Serge C. R. H. Cornelissen**,  
Kortrijk-Marke (BE)

(73) Assignee: **Beta-Calco Inc.**, Toronto (CA)

(\*\*) Term: **15 Years**

(21) Appl. No.: **29/668,542**

(22) Filed: **Oct. 31, 2018**

(51) **LOC (13) Cl.** ..... **26-03**

(52) **U.S. Cl.**  
USPC ..... **D26/84; D26/90**

(58) **Field of Classification Search**

USPC ..... D26/80-86, 88, 90, 91, 66, 76

CPC .... F21S 8/06; F21S 8/061; F21S 8/063; F21S  
8/065; F21S 8/066; F21S 8/068

See application file for complete search history.

(56) **References Cited**

**U.S. PATENT DOCUMENTS**

D590,088 S *	4/2009	Dworschak	.....	D26/85
D639,994 S *	6/2011	Wauters	.....	D26/83
D641,914 S *	7/2011	Sprengers	.....	D26/89
D643,964 S *	8/2011	Heyrman	.....	D26/85
D643,965 S *	8/2011	Sprengers	.....	D26/85
D643,968 S *	8/2011	Sprengers	.....	D26/89
D672,081 S *	12/2012	Sprengers	.....	D26/85
D697,654 S *	1/2014	Couvreur	.....	D26/85
RE46,516 E *	8/2017	Bryant	.....	D26/85
D808,566 S *	1/2018	Goetz-Schaefer	.....	D26/76
D892,382 S *	8/2020	Morgan	.....	D26/85
2012/0257394 A1 *	10/2012	Kikoski	.....	F21V 13/04 362/311.02

**OTHER PUBLICATIONS**

Matrex Dual Luminaire Spec Sheet © 2020 from betacalco.com visited Feb. 4, 2021. (Year: 2020).\*

Flos Rectangular Compass Box Large 2L For LED Surface Spotlight Fixture For Ceiling Or Wall from diffusioneshop.com visited Feb. 4, 2021. (Year: 2021).\*

\* cited by examiner

*Primary Examiner* — Clare E Heflin

(74) *Attorney, Agent, or Firm* — Renner, Otto, Boisselle & Sklar, LLP

(57) **CLAIM**

The ornamental design for a luminaire, as shown and described.

**DESCRIPTION**

FIG. 1 is a top perspective view of a luminaire showing a first variant of the design;

FIG. 2 is a bottom perspective view thereof;

FIG. 3 is a front view thereof;

FIG. 4 is a rear view thereof;

FIG. 5 is a right side view thereof;

FIG. 6 is a left side view thereof;

FIG. 7 is a top view thereof;

FIG. 8 is a bottom view thereof;

FIG. 9 is a top perspective view of a luminaire showing a second variant of the design;

FIG. 10 is a bottom perspective view thereof;

FIG. 11 is a front view thereof;

FIG. 12 is a rear view thereof;

FIG. 13 is a right side view thereof;

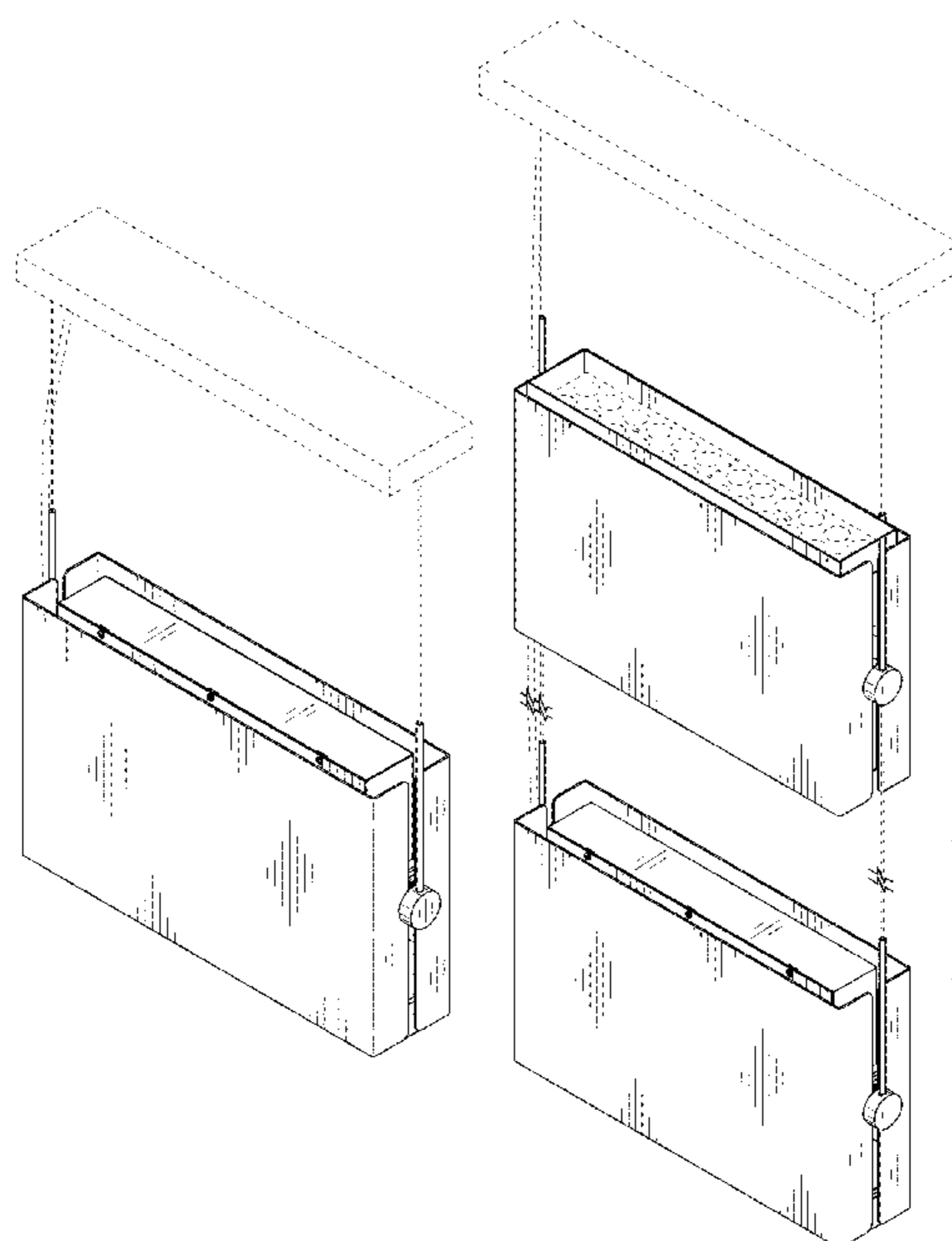
FIG. 14 is a left side view thereof;

FIG. 15 is a top view thereof; and,

FIG. 16 is a bottom view thereof.

The portions of the luminaire shown in broken lines form no part of the claimed design.

**1 Claim, 12 Drawing Sheets**



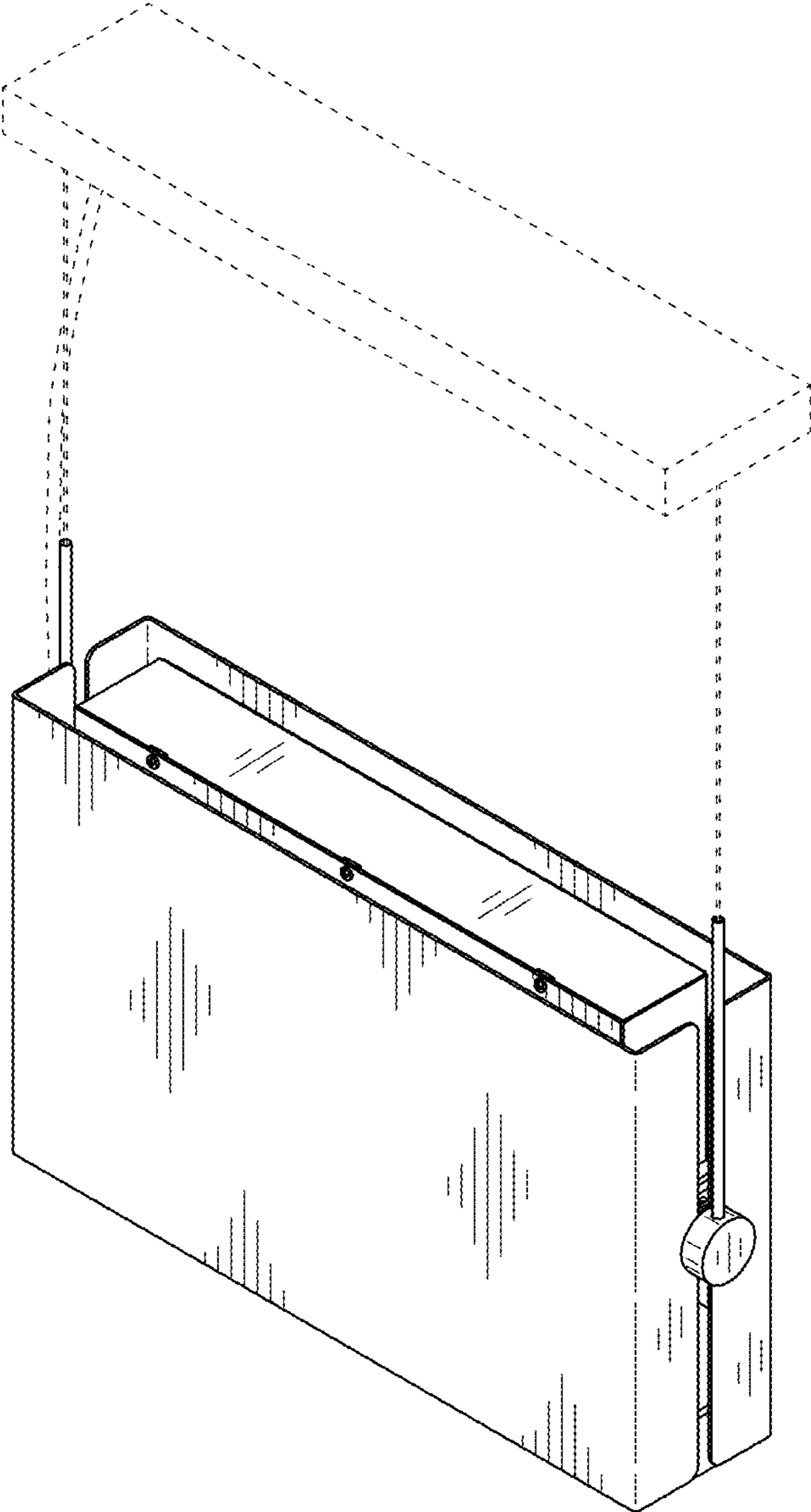
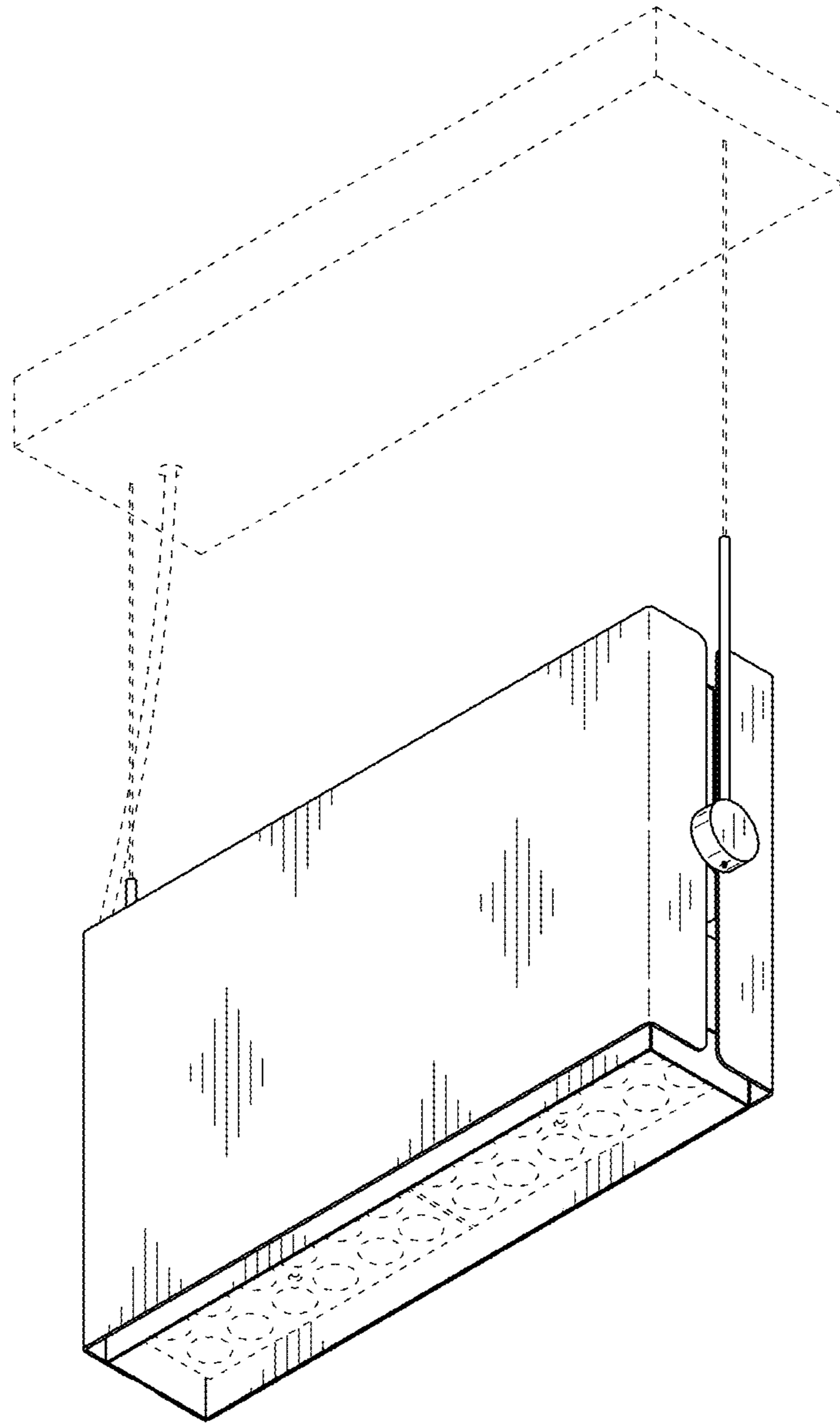
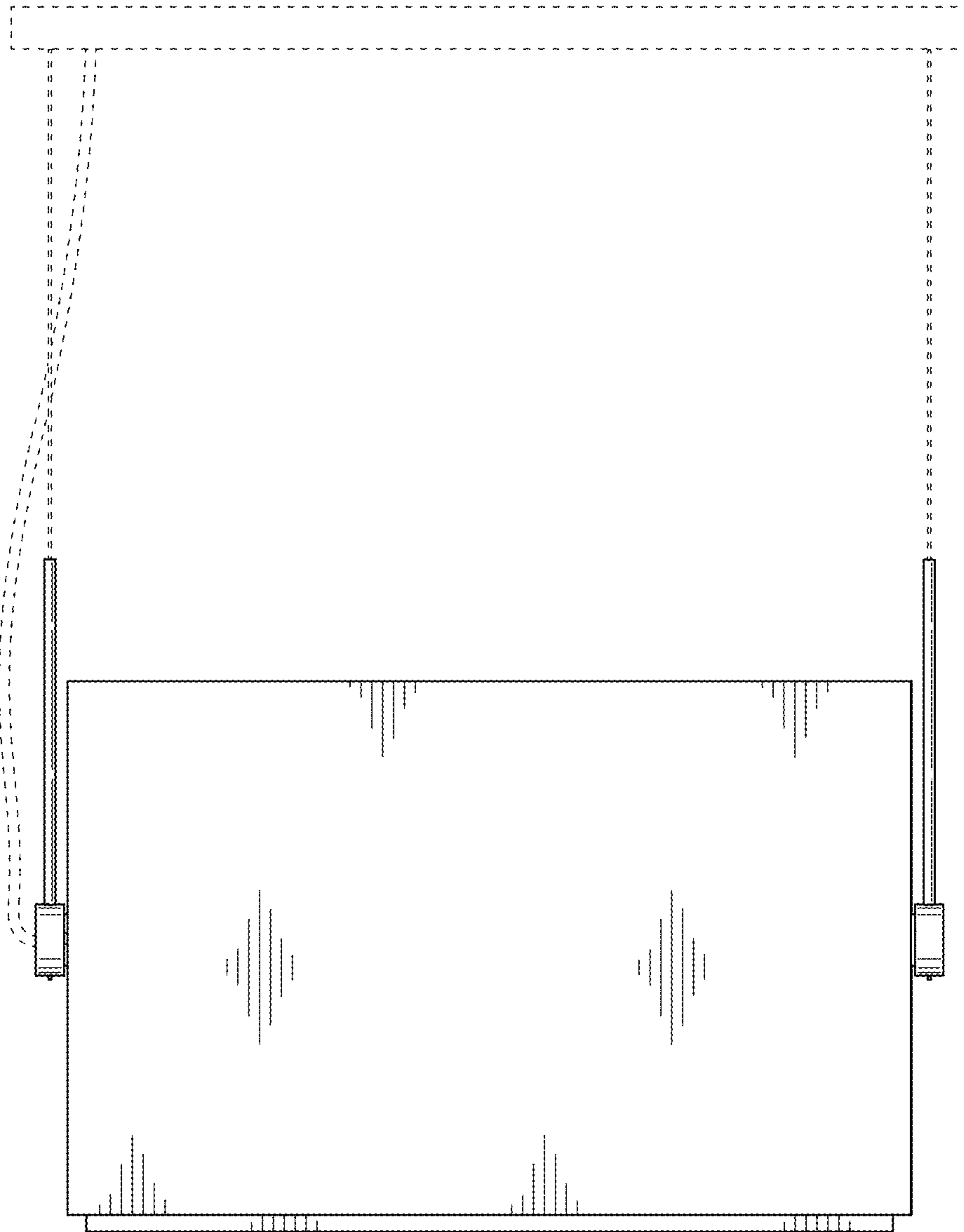


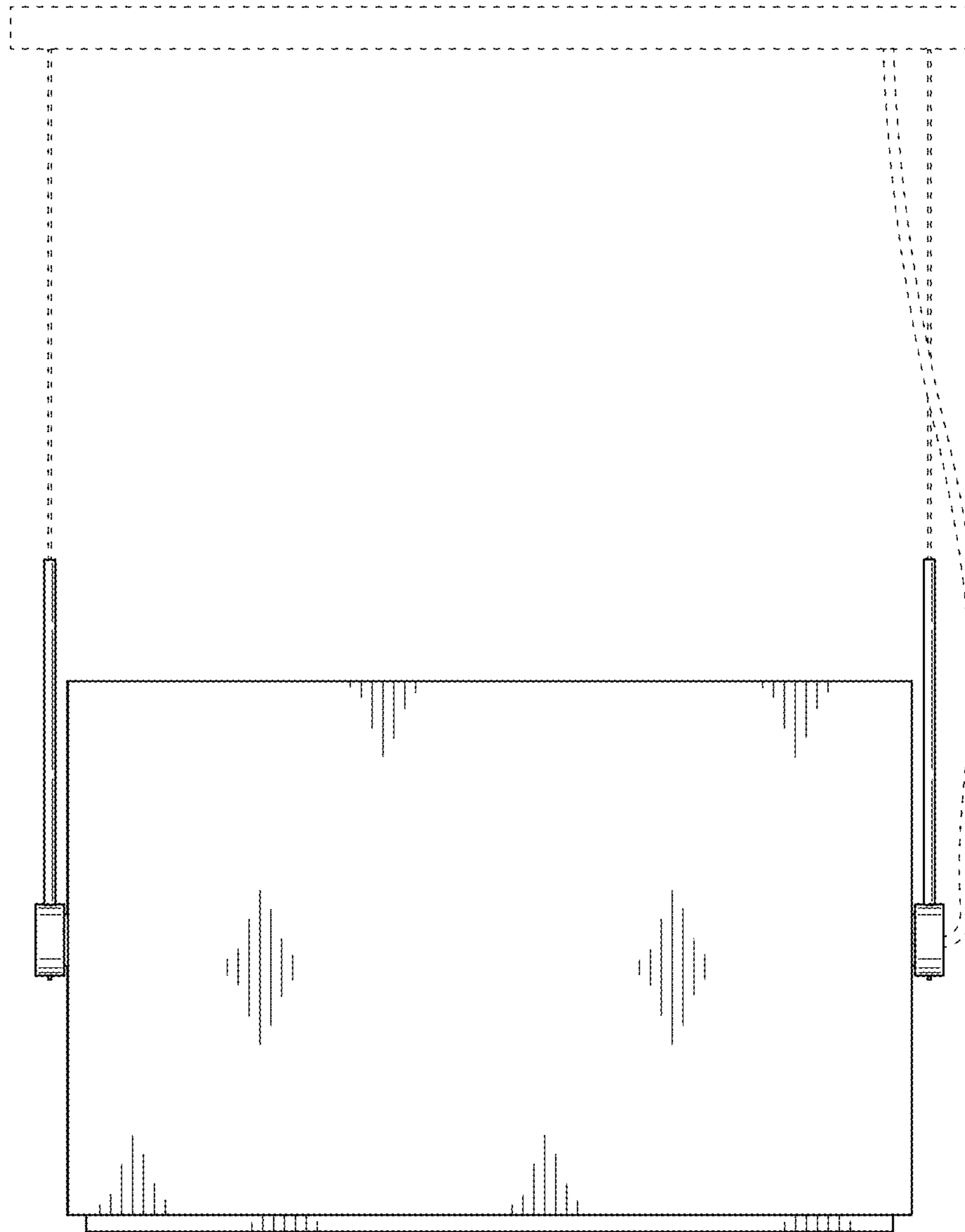
FIG. 1



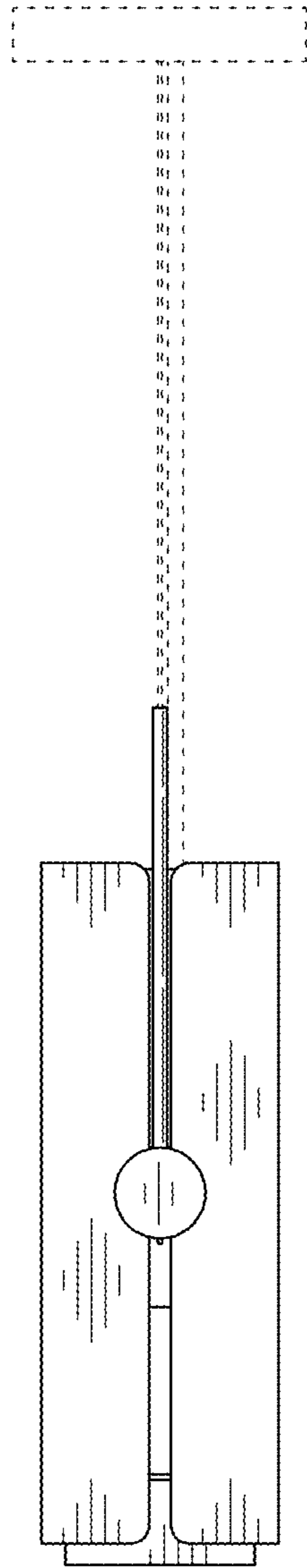
**FIG. 2**



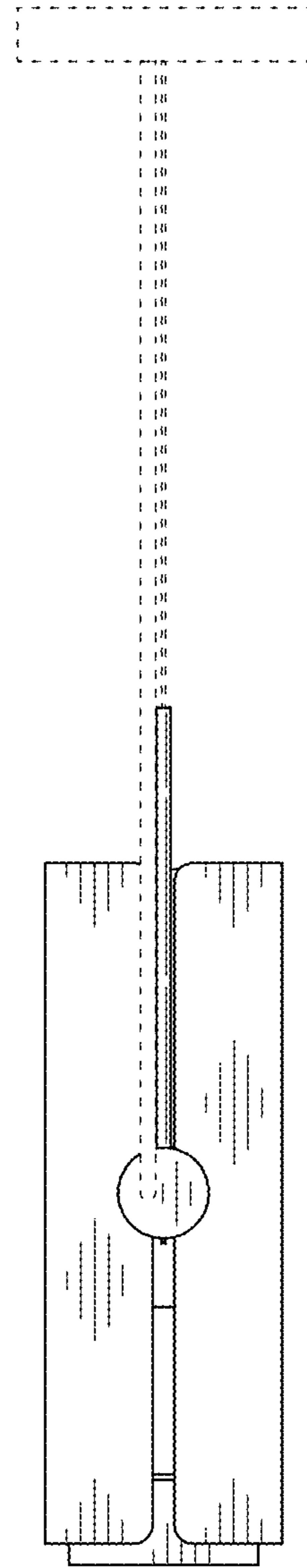
**FIG. 3**



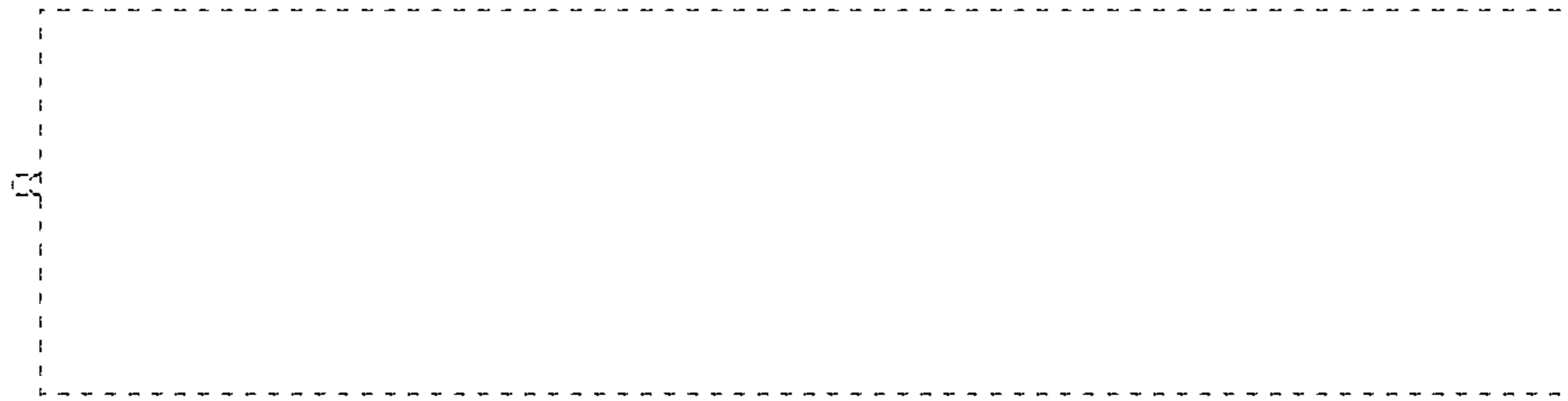
**FIG. 4**



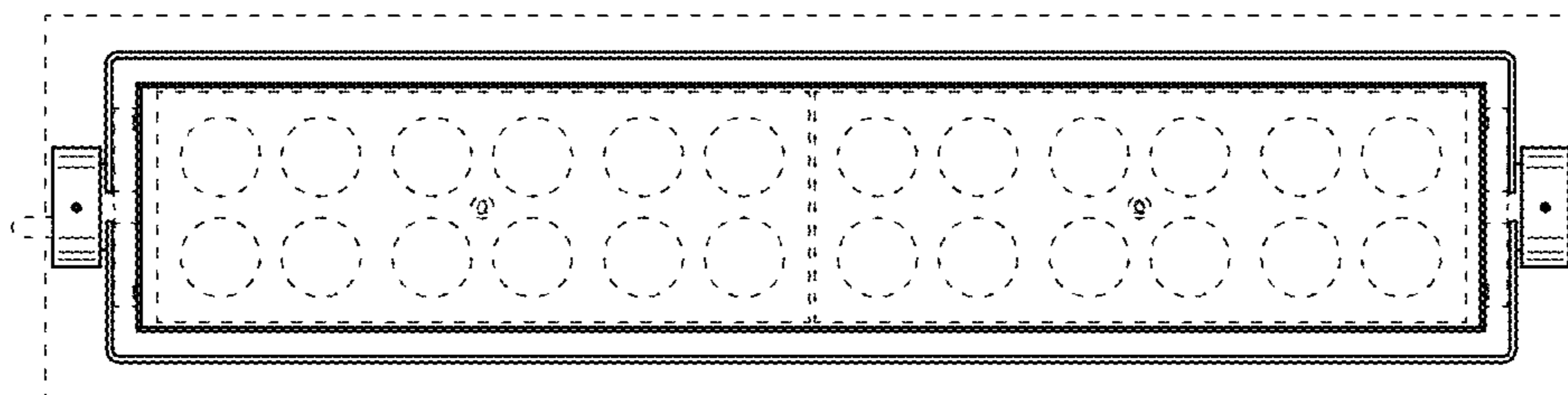
**FIG. 5**



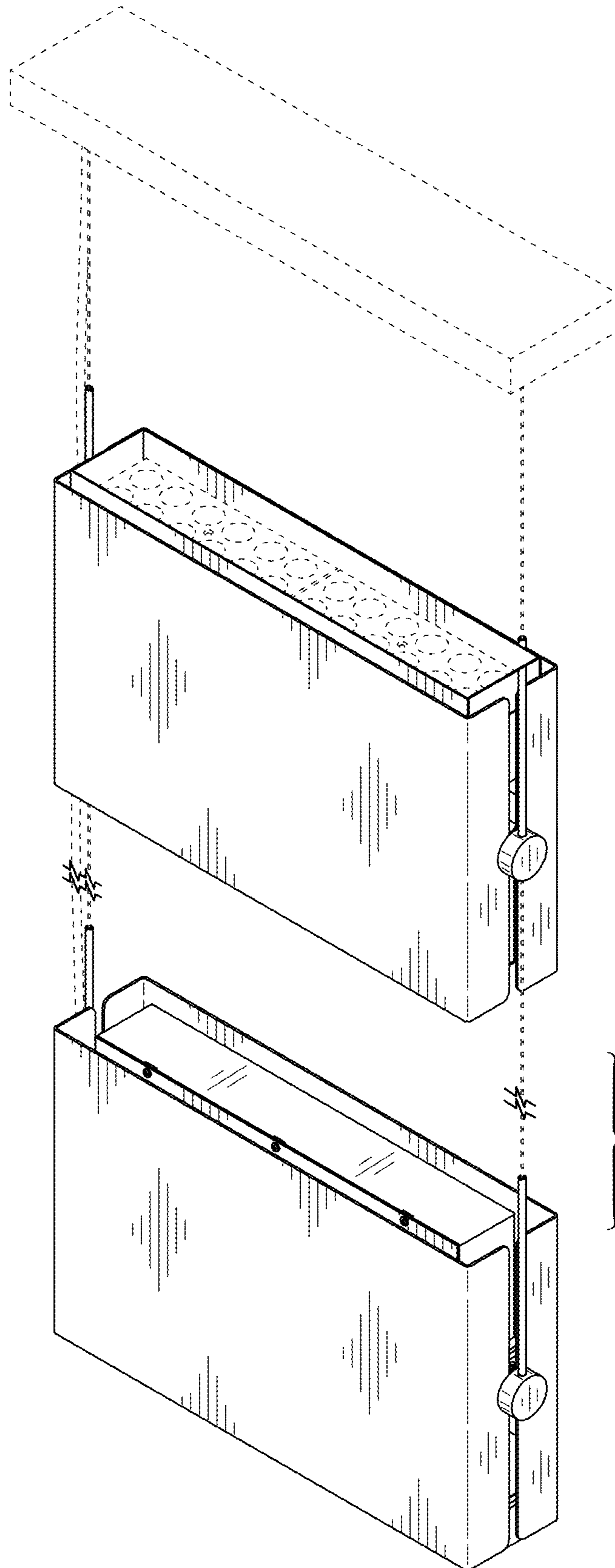
**FIG. 6**



**FIG. 7**

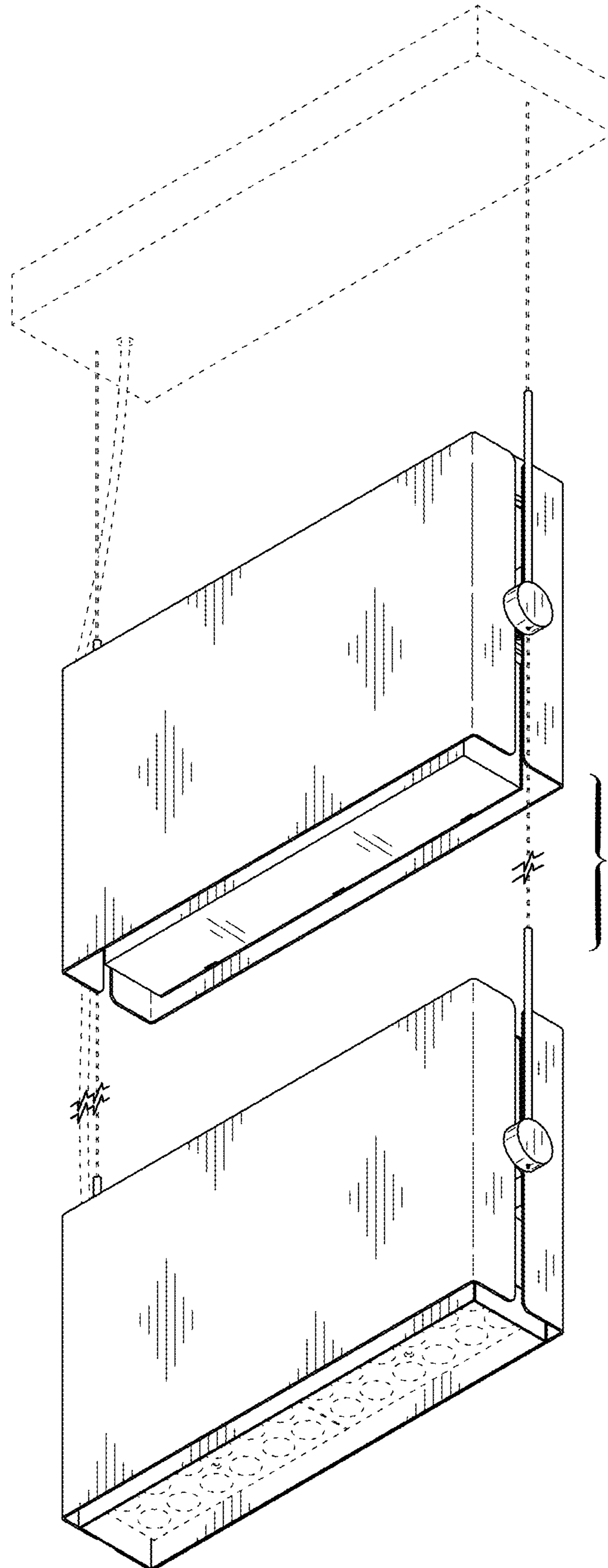


**FIG. 8**



**FIG. 9**





**FIG. 10**

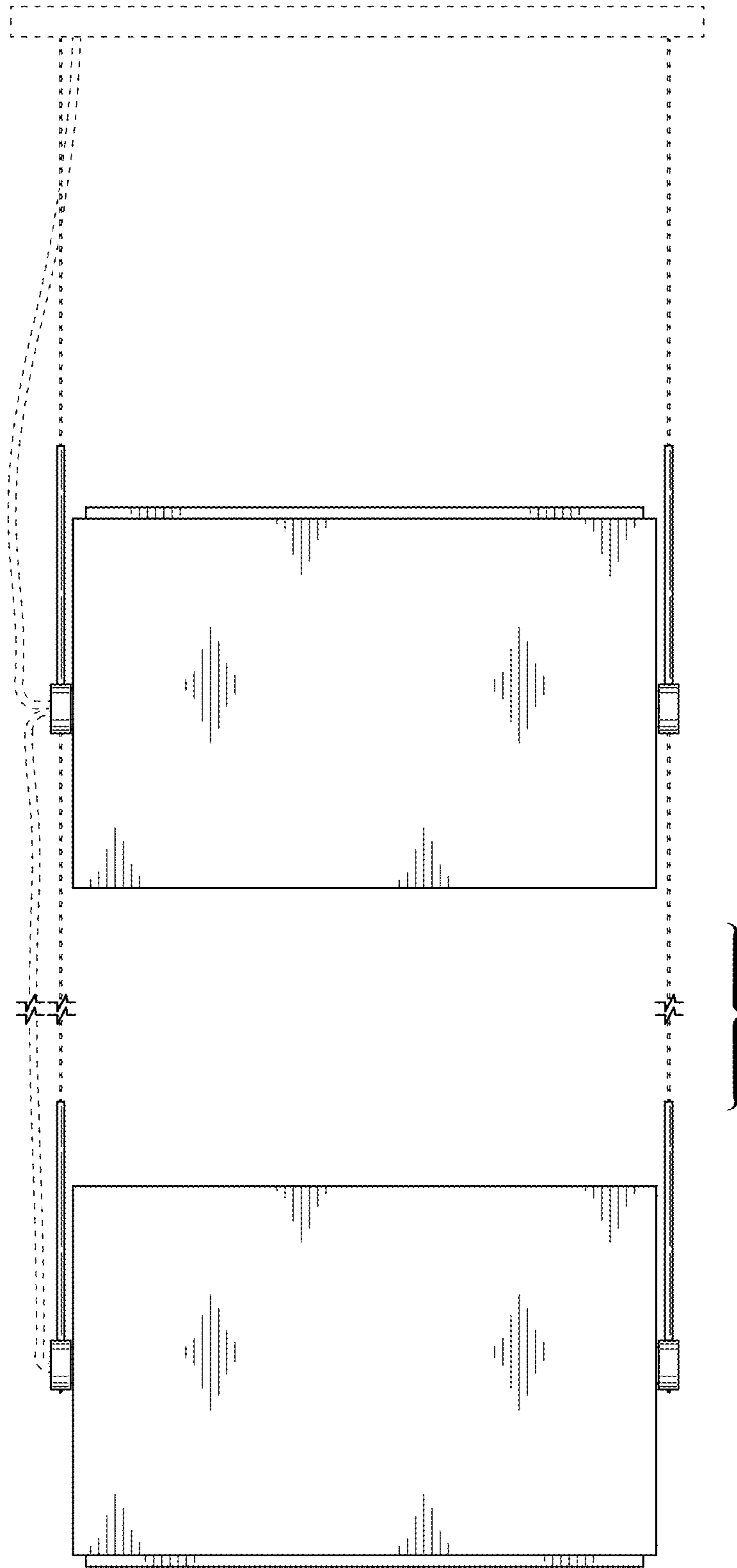


FIG. 11

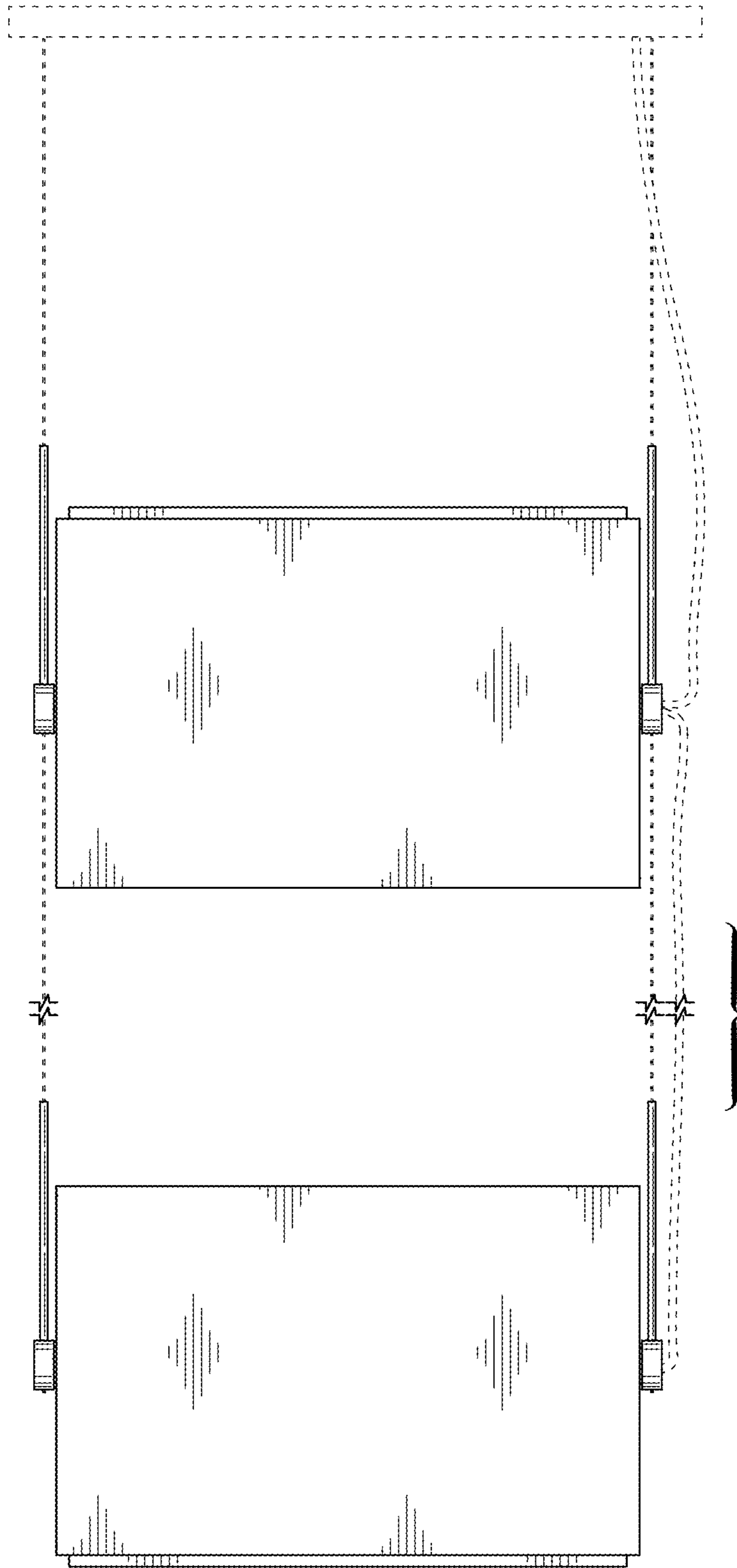


FIG. 12

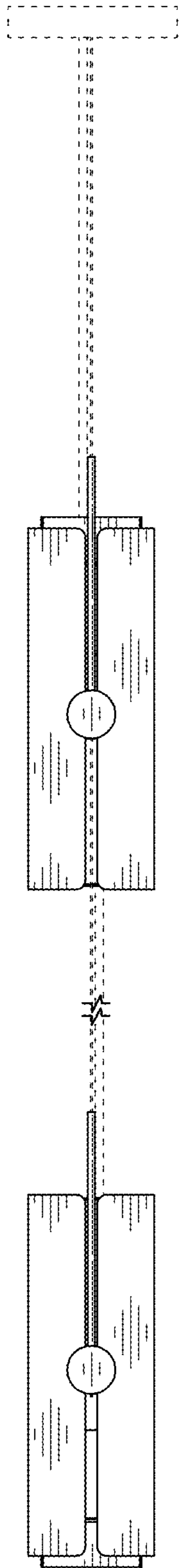


FIG. 13

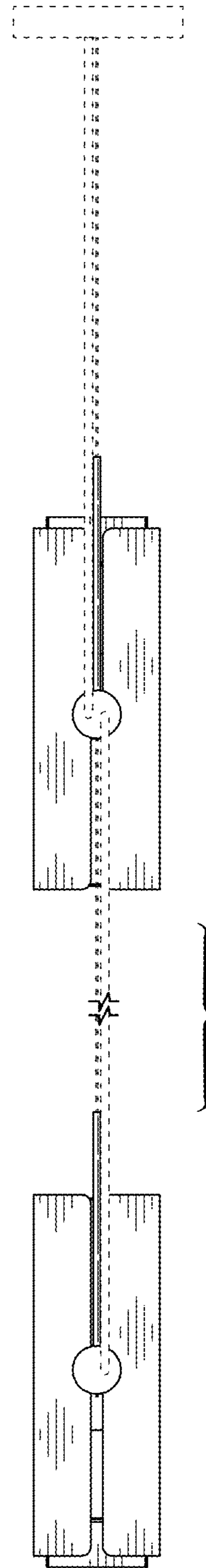
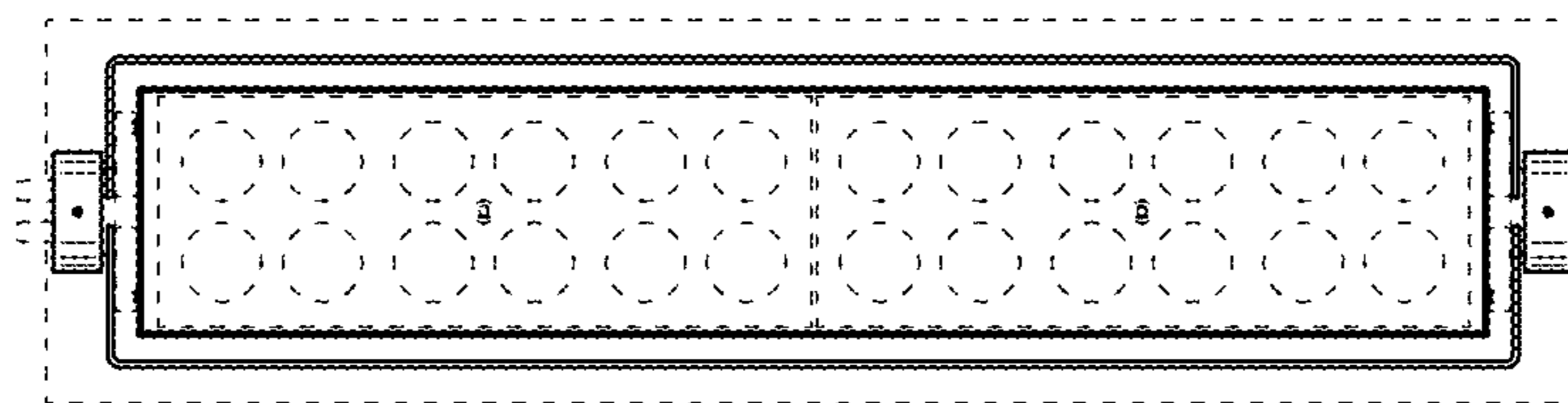


FIG. 14



**FIG. 15**



**FIG. 16**