



US00D917764S

(12) **United States Design Patent** (10) **Patent No.:** **US D917,764 S**  
**Meise** (45) **Date of Patent:** **\*\* Apr. 27, 2021**

(54) **LINEAR LIGHT**

(71) Applicant: **Axel & Susann Meise**  
**Beteiligungsgesellschaft mbH,**  
Starnberg (DE)

(72) Inventor: **Axel Meise,** Starnberg (DE)

(73) Assignee: **Axel & Susann Meise**  
**Beteiligungsgesellschaft mbH,**  
Starnberg (DE)

(\*\*) Term: **15 Years**

(21) Appl. No.: **35/508,014**

(22) Filed: **Jun. 18, 2019**

(80) **Hague Agreement Data**

Int. Filing Date: **Jun. 18, 2019**

Int. Reg. No.: **DM/204357**

Int. Reg. Date: **Jun. 18, 2019**

Int. Reg. Pub. Date: **Dec. 6, 2019**

(30) **Foreign Application Priority Data**

Jan. 3, 2019 (EM) ..... 005947017-0001

Jan. 3, 2019 (EM) ..... 005947017-0003

Jan. 3, 2019 (EM) ..... 005947017-0004

Jan. 3, 2019 (EM) ..... 005947017-0005

(51) **LOC (13) Cl.** ..... **26-04**

(52) **U.S. Cl.**  
USPC ..... **D26/76**

(58) **Field of Classification Search**  
USPC ..... D26/61-63, 72, 74, 76, 78-83, 85, 86,  
D26/88, 90, 93, 104, 111, 113, 118-122,  
D26/138-142, 152  
CPC ..... F21S 2/00; F21S 4/00; F21S 4/003; F21S  
4/005; F21S 4/006; F21S 4/007; F21S  
4/008; F21S 6/00; F21S 8/00; F21S  
8/024; F21S 8/026; F21S 8/031; F21S  
8/033; F21S 8/035-037; F21S 8/04; F21S  
8/043; F21S 8/063

See application file for complete search history.

(56) **References Cited**

U.S. PATENT DOCUMENTS

|              |         |          |       |        |
|--------------|---------|----------|-------|--------|
| D500,156 S * | 12/2004 | Kao      | ..... | D26/61 |
| D513,085 S * | 12/2005 | Shiu     | ..... | D26/62 |
| D584,444 S * | 1/2009  | Lipson   | ..... | D26/76 |
| D586,492 S * | 2/2009  | Copeland | ..... | D26/76 |
| D616,588 S * | 5/2010  | Lee      | ..... | D26/63 |

(Continued)

*Primary Examiner* — Natasha Vujcic

(74) *Attorney, Agent, or Firm* — Winstead PC

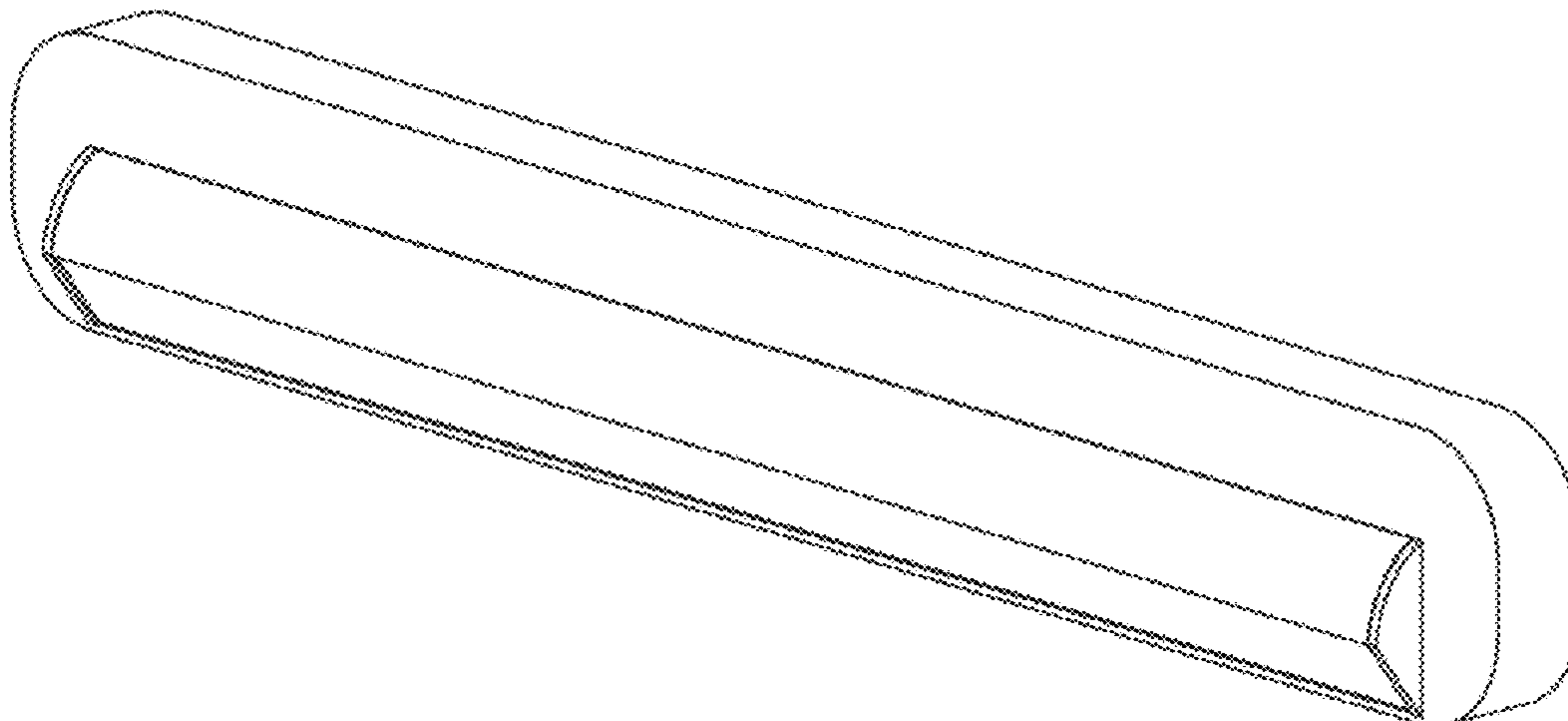
(57) **CLAIM**

The ornamental design for linear light, as shown and described as shown and described.

**DESCRIPTION**

- 2.-4. Linear light
- 2.1 is a front perspective view.
- 2.2 is a front view.
- 2.3 is a rear view.
- 2.4 is a left side view.
- 2.5 is a right side view.
- 2.6 is a top view.
- 2.7 is a bottom view.
- 3.1 is a front perspective view.
- 3.2 is a front view.
- 3.3 is a rear view.
- 3.4 is a left side view,
- 3.5 is a right side view,
- 3.6 is a top view.
- 3.7 is a bottom view.
- 4.1 is a front perspective view.
- 4.2 is a front view.
- 4.3 is a rear view.
- 4.4 is a left side view.
- 4.5 is a right side view.
- 4.6 is a top view.
- 4.7 is a bottom view.

**1 Claim, 21 Drawing Sheets**



(56)

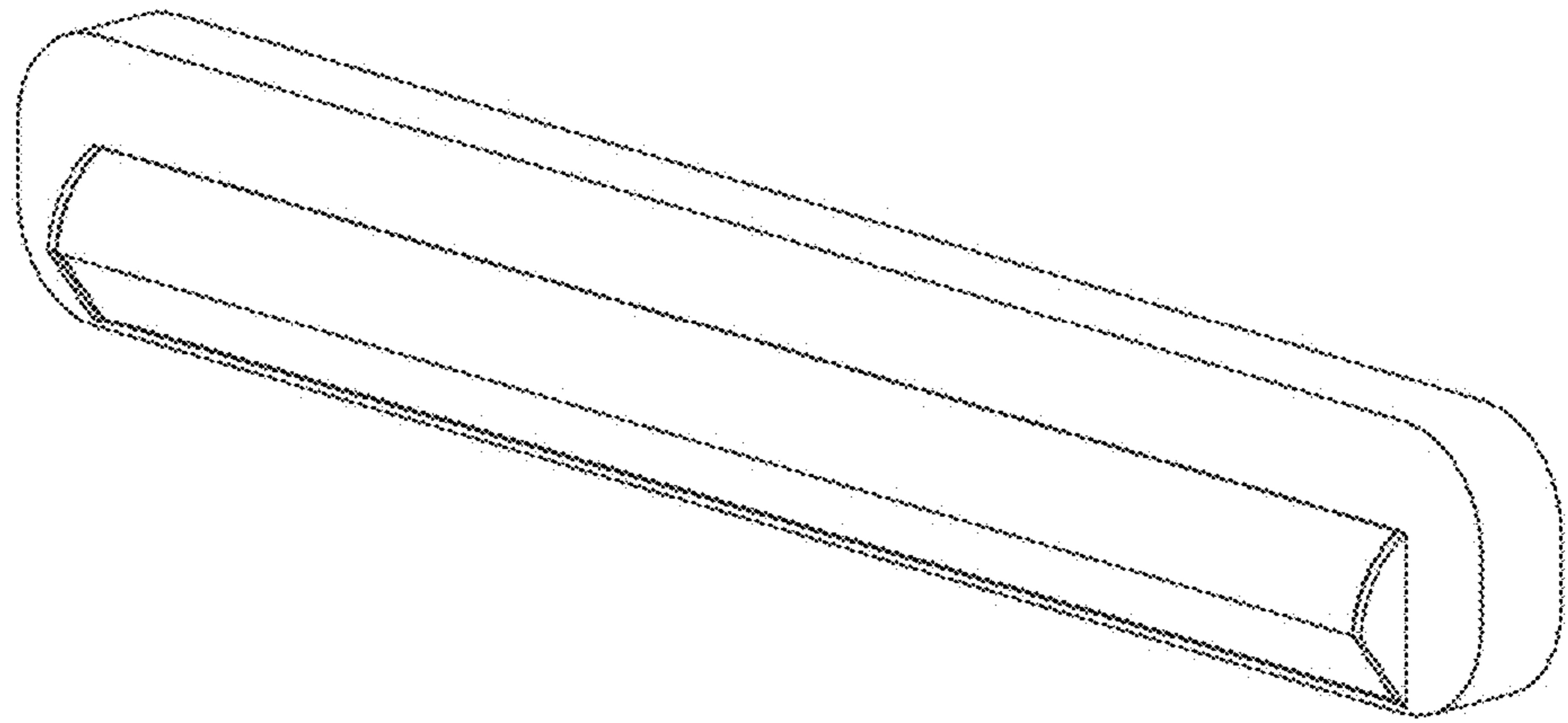
**References Cited**

U.S. PATENT DOCUMENTS

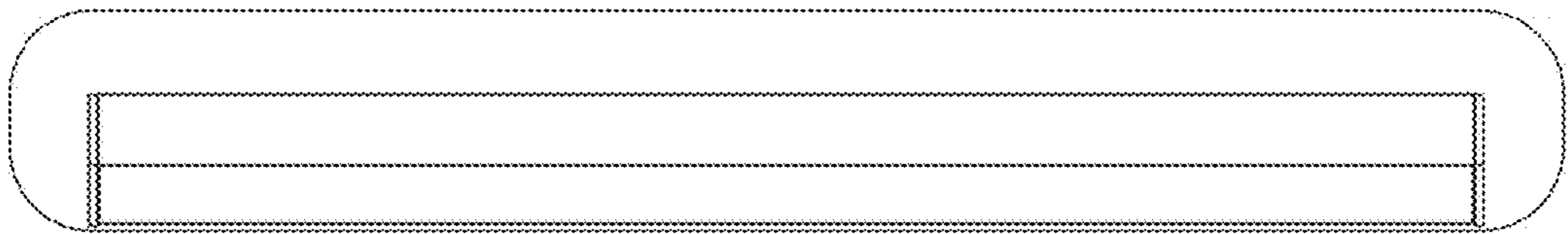
|          |   |   |         |          |       |         |
|----------|---|---|---------|----------|-------|---------|
| D624,226 | S | * | 9/2010  | Huang    | ..... | D26/65  |
| D669,626 | S | * | 10/2012 | Huang    | ..... | D26/107 |
| D669,627 | S | * | 10/2012 | Huang    | ..... | D26/107 |
| D693,516 | S | * | 11/2013 | Copeland | ..... | D26/107 |
| D744,153 | S | * | 11/2015 | Hodgson  | ..... | D26/107 |
| D776,860 | S | * | 1/2017  | Rashid   | ..... | D26/107 |
| D825,792 | S | * | 8/2018  | Johnson  | ..... | D26/24  |
| D855,871 | S | * | 8/2019  | Ma       | ..... | D26/107 |
| D860,484 | S | * | 9/2019  | Wang     | ..... | D26/24  |
| D866,816 | S | * | 11/2019 | Wang     | ..... | D26/24  |
| D870,356 | S | * | 12/2019 | Meise    | ..... | D26/90  |
| D871,651 | S | * | 12/2019 | Meise    | ..... | D26/107 |
| D880,020 | S | * | 3/2020  | Meise    | ..... | D26/24  |
| D880,021 | S | * | 3/2020  | Meise    | ..... | D26/24  |
| D887,614 | S | * | 6/2020  | Lin      | ..... | D26/85  |

\* cited by examiner

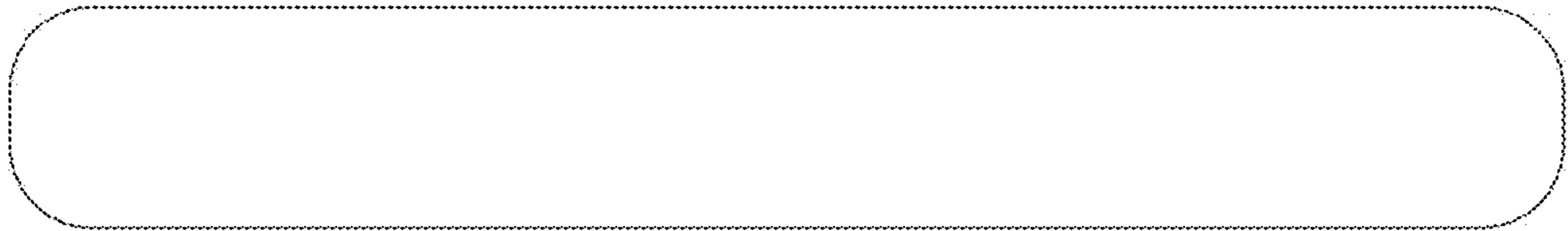
2.1



2.2



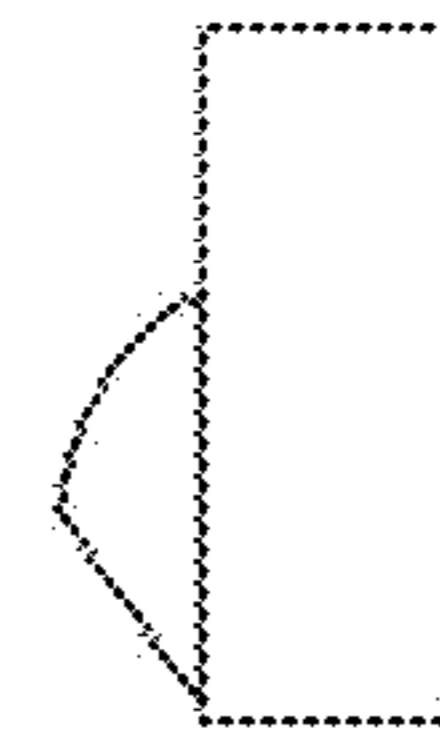
**2.3**



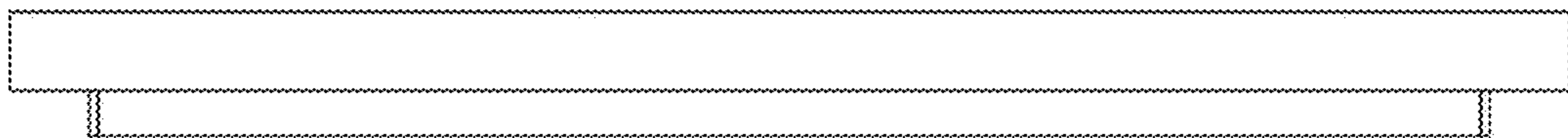
**2.4**



2.5

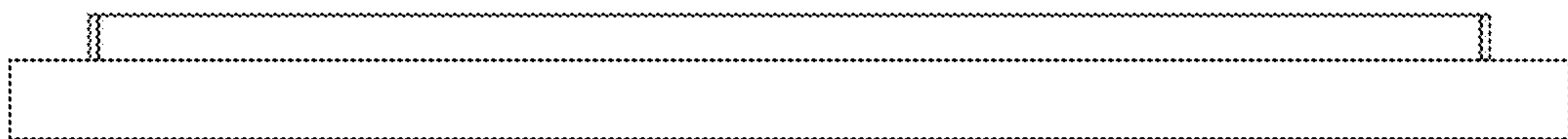


2.6

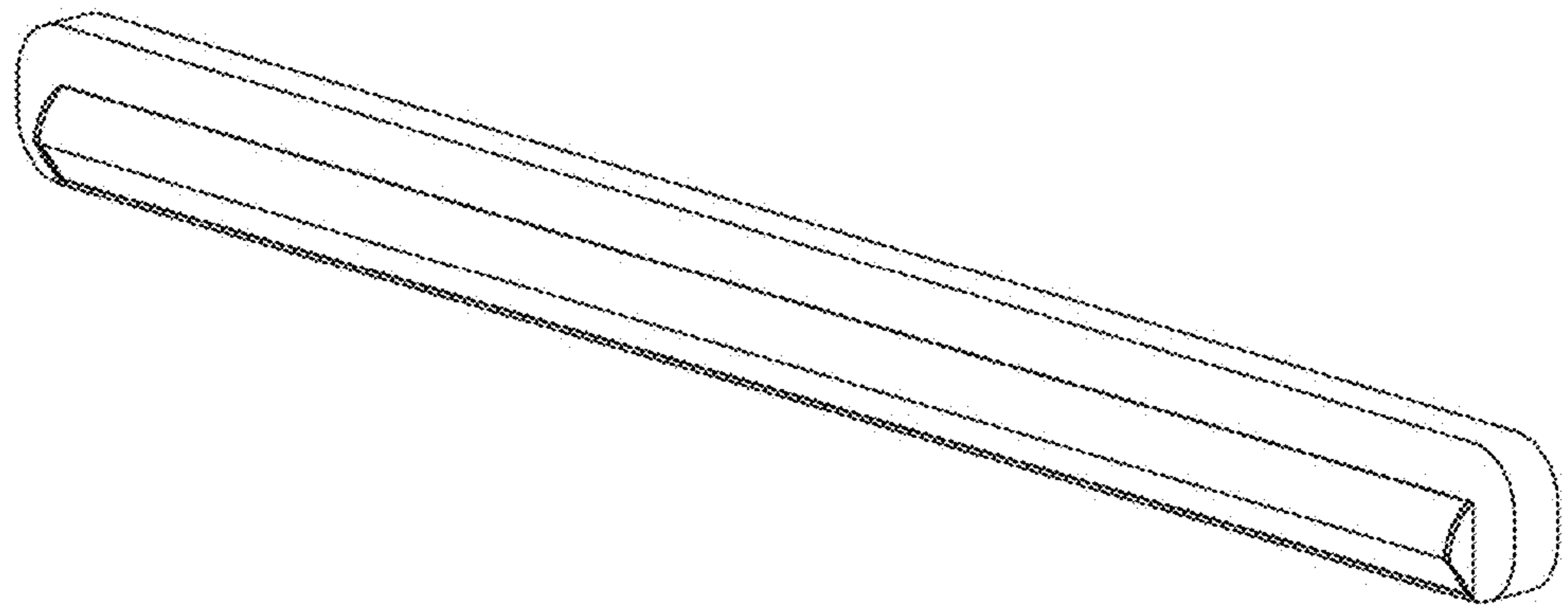




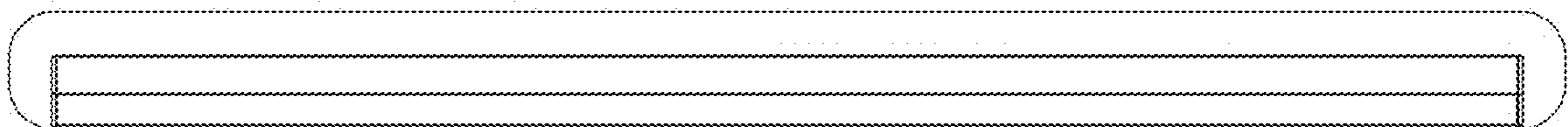
2.7



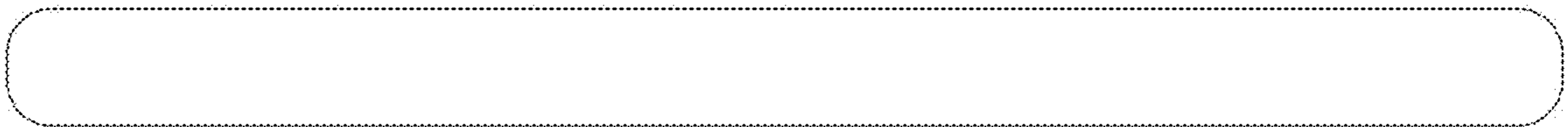
3.1



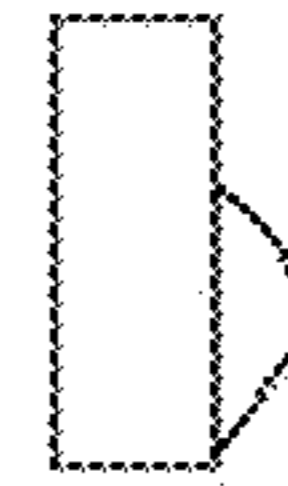
3.2



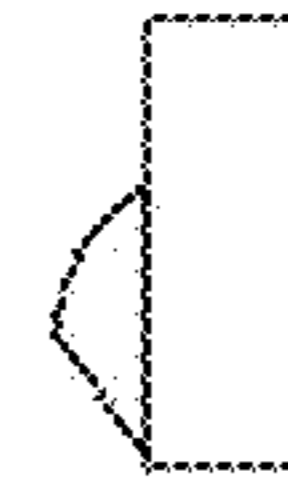
**3.3**



**3.4**



**3.5**



**3.6**

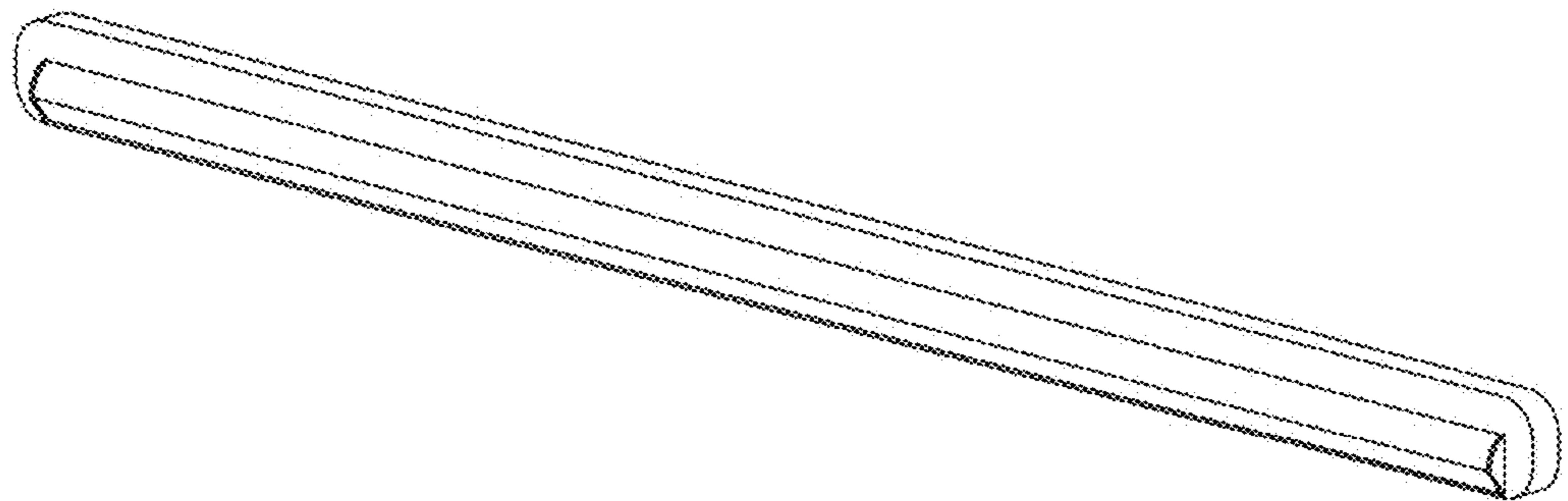


3.7

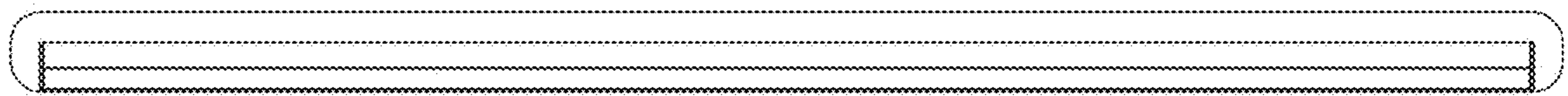




4.1



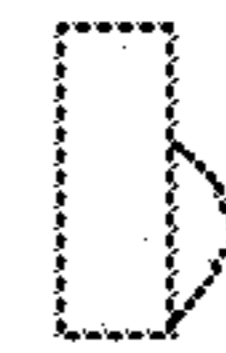
4.2



4.3



**4.4**



**4.5**



4.6



4.7

