



US00D917762S

(12) **United States Design Patent** (10) **Patent No.:** **US D917,762 S**
Zhou et al. (45) **Date of Patent:** **** Apr. 27, 2021**

(54) **LAMP PANEL**

FOREIGN PATENT DOCUMENTS

(71) Applicant: **Lonsng Lighting Technology Co., Limited**, Dongguan (CN)

CN 305175073 * 5/2019
CN 305511956 * 12/2019
CN 305830334 * 6/2020
CN 306014197 * 8/2020

(72) Inventors: **Yaqun Zhou**, Dongguan (CN); **Jianjun He**, Dongguan (CN); **Wenjian Song**, Dongguan (CN)

OTHER PUBLICATIONS

(**) Term: **15 Years**

“Lithonia Lighting 2GTL2 A12 MVOLT LED Lay-in Troffer,” Oct. 24, 2014, amazon.com, site visited Oct. 5, 2020, URL: https://www.amazon.com/Lithonia-Lighting-2GTL2-A12-MVOLT/dp/B00OVE6VDG/ref=sr_1_1?dchild=1&keywords=Lithonia+Lighting+2GTL2+A12+MVOLT+LED+Lay-in+ (Year: 2014).*

(21) Appl. No.: **29/705,926**

(22) Filed: **Sep. 17, 2019**

(51) **LOC (13) Cl.** **26-05**

(52) **U.S. Cl.**
USPC **D26/76**

(58) **Field of Classification Search**
USPC D26/24, 25, 26, 27, 60–69, 72, 74, 75, D26/76, 77, 78, 80, 81, 82, 83, 85, 86, D26/88, 89, 93, 104, 106, 108–115, 118, D26/120; D10/111–115
CPC F21S 8/00; F21S 8/03; F21S 8/04; F21S 8/026; F21S 8/046; F21S 8/088; F21V 15/00; F21V 15/01

See application file for complete search history.

(Continued)

Primary Examiner — Eric L Goodman
Assistant Examiner — Sarah L Smith

(57) **CLAIM**

The ornamental design for a lamp panel, as shown and described.

DESCRIPTION

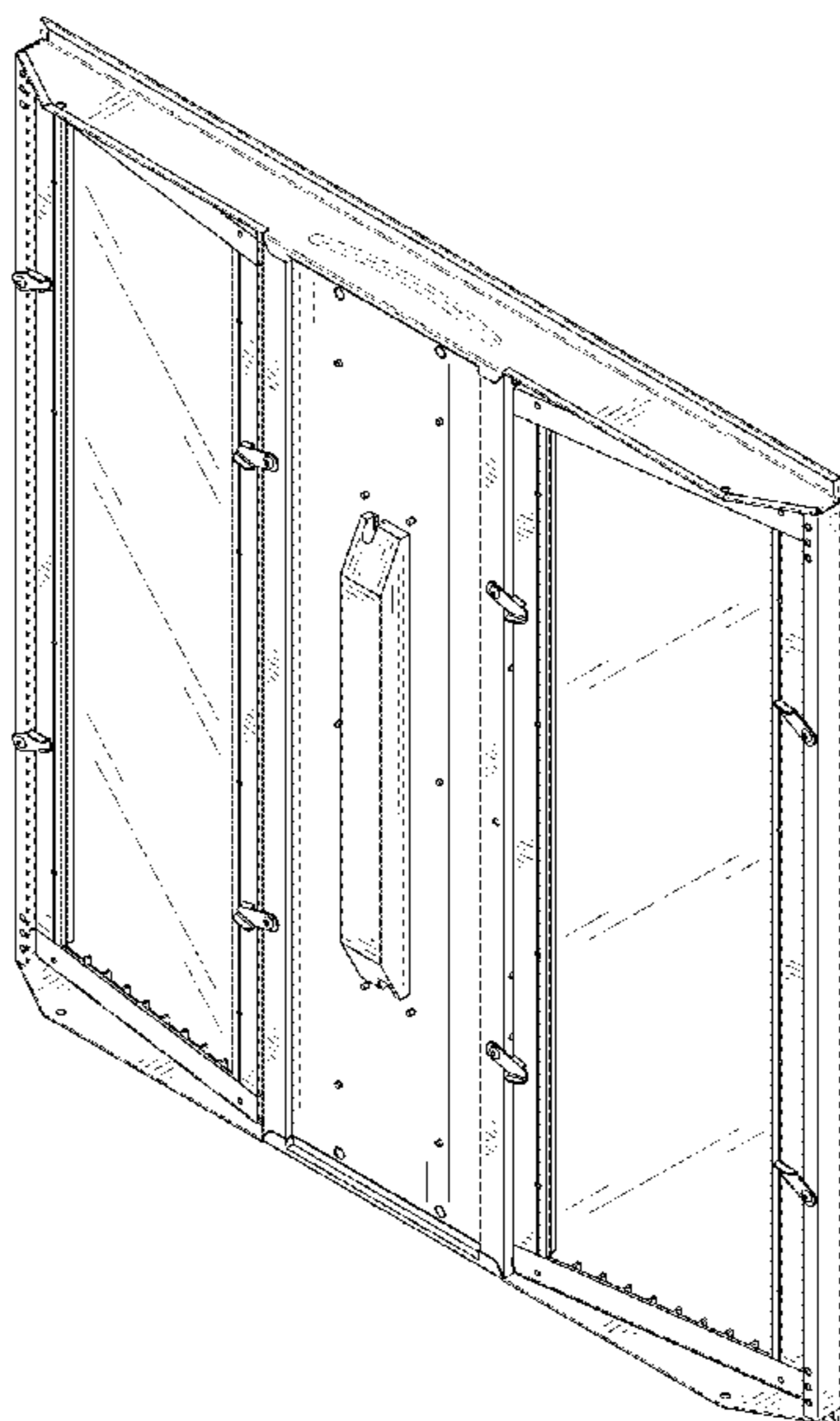
FIG. 1 is a first perspective view of a lamp panel showing my new design;
FIG. 2 is a second perspective view thereof;
FIG. 3 is a front view thereof;
FIG. 4 is a back view thereof;
FIG. 5 is a left side view thereof;
FIG. 6 is a right side view thereof;
FIG. 7 is a top view thereof; and,
FIG. 8 is a bottom view thereof.
The broken lines shown in the drawings depict portions of the lamp panel in which the design is embodied that form no part of the claimed design.

(56) **References Cited**

U.S. PATENT DOCUMENTS

D496,121 S * 9/2004 Santoro D26/74
D747,529 S * 1/2016 Yoon D26/74
D780,973 S * 3/2017 Scribante D26/76
D786,477 S * 5/2017 Lauderdale D26/76
9,677,744 B1 * 6/2017 Clements F21V 17/104
D819,861 S * 6/2018 Scribante D26/76
D850,699 S * 6/2019 Xu D26/76
10,337,677 B1 * 7/2019 Sinai G02F 1/133605
D869,047 S * 12/2019 Bao D26/76
2017/0268744 A1 * 9/2017 Hsia F21V 7/0025
2018/0231219 A1 * 8/2018 Leung F21K 9/272
2020/0032963 A1 * 1/2020 Cai F21K 9/272

1 Claim, 8 Drawing Sheets



(56)

References Cited

OTHER PUBLICATIONS

“Lumegen LED Dimmable Troffer,” Oct. 5, 2018, amazon.com, site visited Oct. 5, 2020, URL: https://www.amazon.com/2ftx2ft-LED-Dimmable-Troffer-Lumens/dp/B07J2RMSWT/ref=sr_1_1?dchild=1&keywords=2ftx2ft+LED+Dimmable+Troffer++40W%2C+5000+Lumens%2C+DLC+Listed+%285000K%29++2+Pack&qid= (Year: 2018).*

“Green Light Depot Flat Ceiling Panel Troffer,” Jun. 13, 2018, amazon.com, site visited Oct. 5, 2020, URL: https://www.amazon.com/2X2-LED-Troffer-Lights-Lay/dp/B07DPWCQGK/ref=sr_1_1?dchild=1&keywords=%282+Pack%29+2x2+FT+40W+LED (Year: 2018).*

“LED Center Basket Troffer Light,” www.superiorlighting.com, site visited Oct. 5, 2020, URL: <https://www.superiorlighting.com/led-center-basket-troffer-light-for-office-ceilings-or-for-any-grid-ceiling-light-replacement/> (Year: 2020).*

“FY-01 troffer deserved to be better known,” Sep. 24, 2019, www.lslightingtech.com, site visited Oct. 5, 2020, URL: www.lslightingtech.com/latest-news/fy-01-troffer-deserved-to-be-better-know.html (Year: 2019).*

“Lonsng FY-01,” www.lslightingtech.com, site visited Oct. 5, 2020, URL: <http://www.lslightingtech.com/Indoor%20Lighting/lonsng-fy-01.html> (Year: 2020).*

* cited by examiner

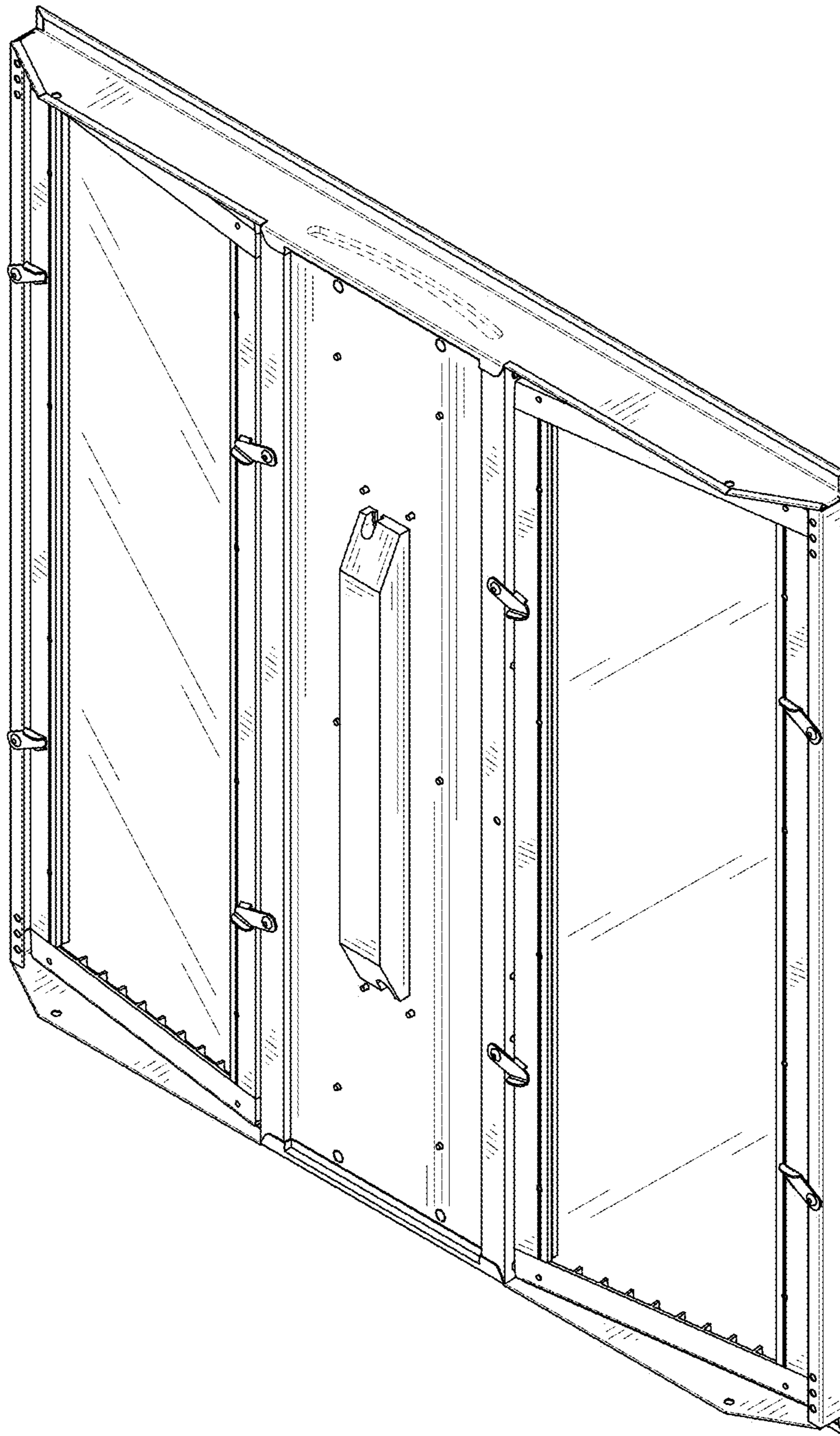


FIG. 1

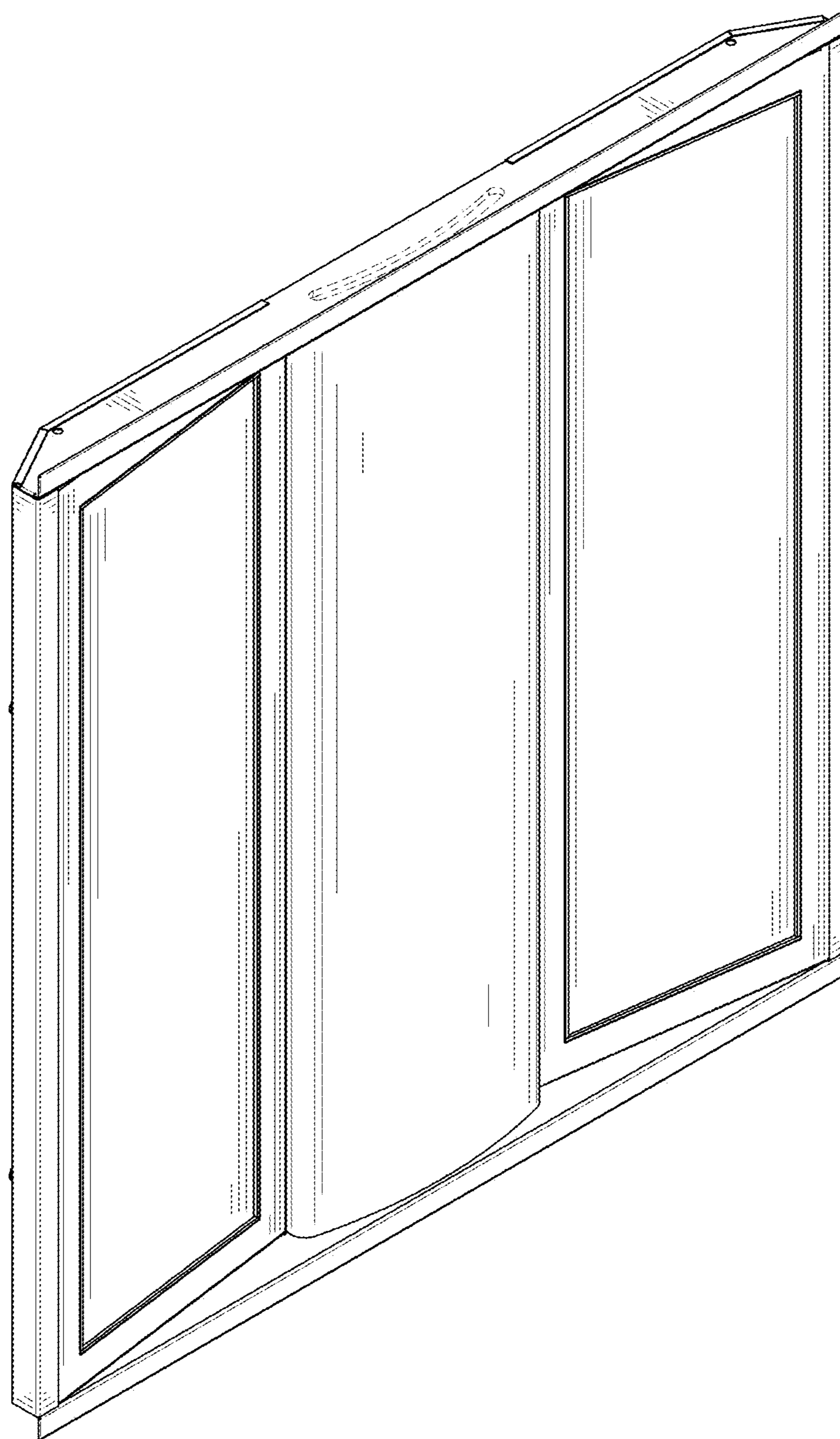


FIG. 2

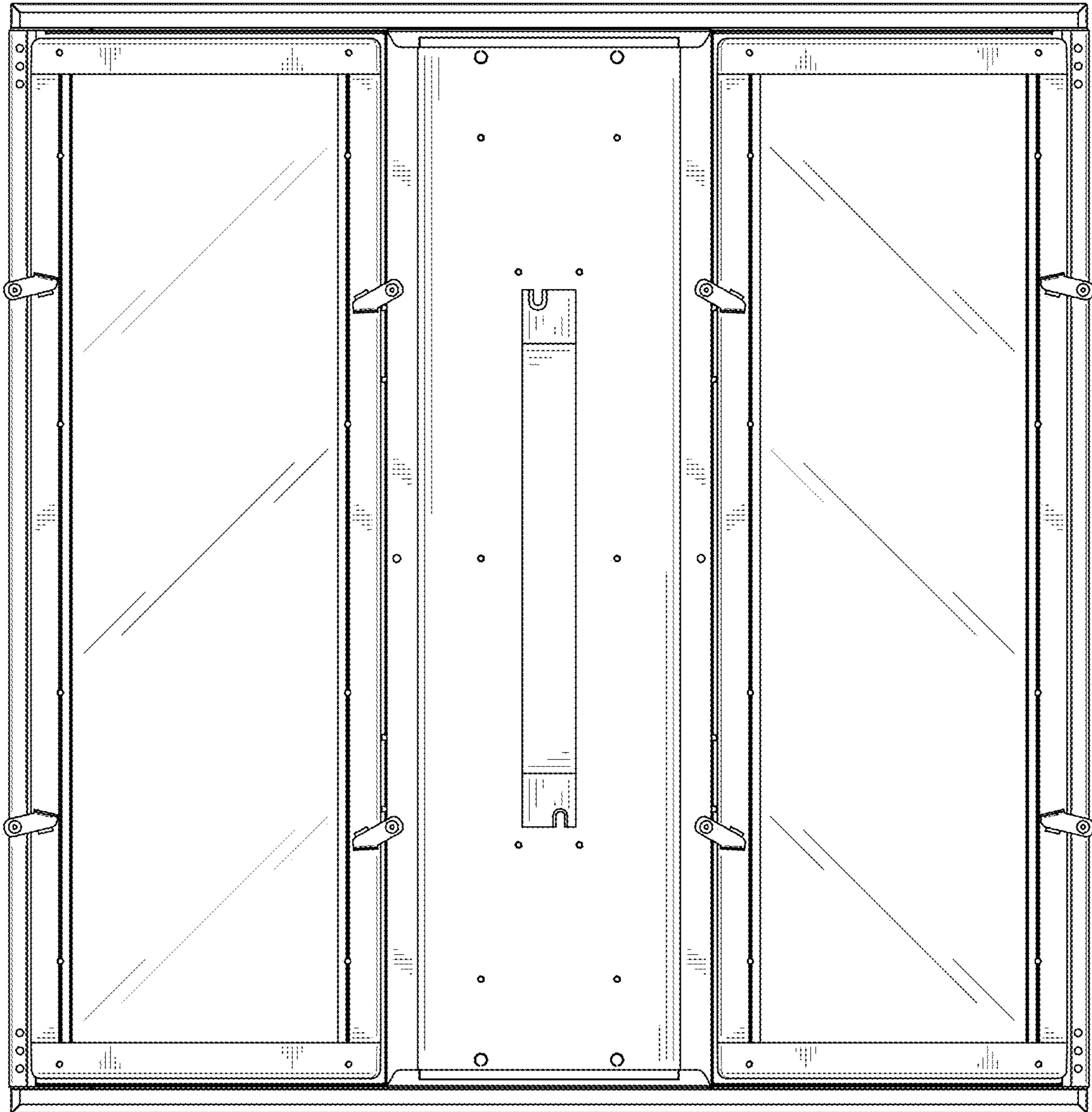


FIG. 3

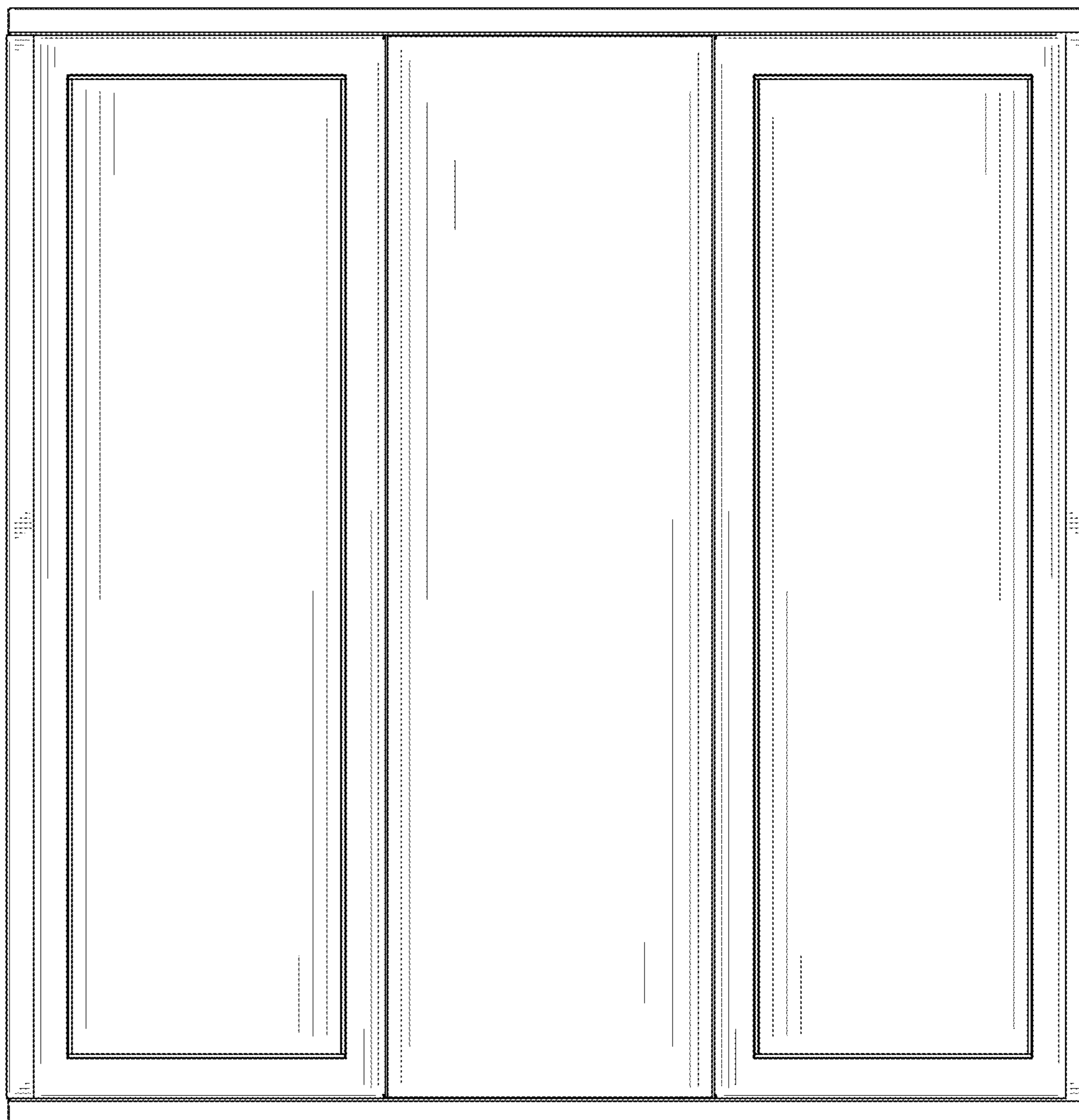


FIG. 4

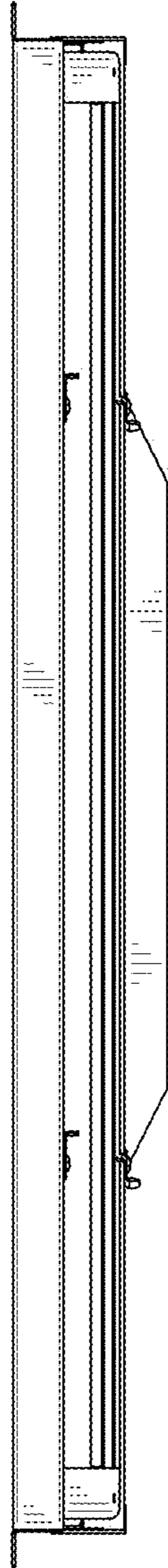


FIG. 5

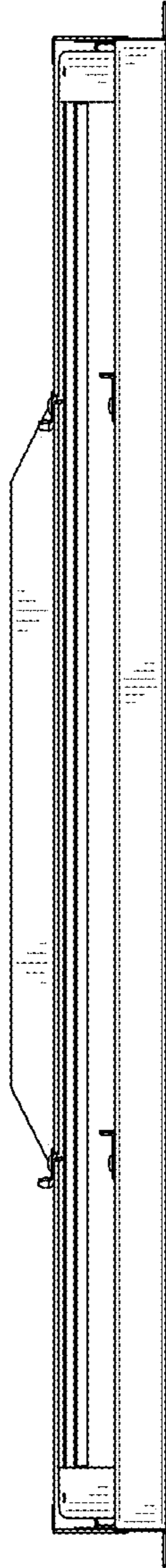


FIG. 6

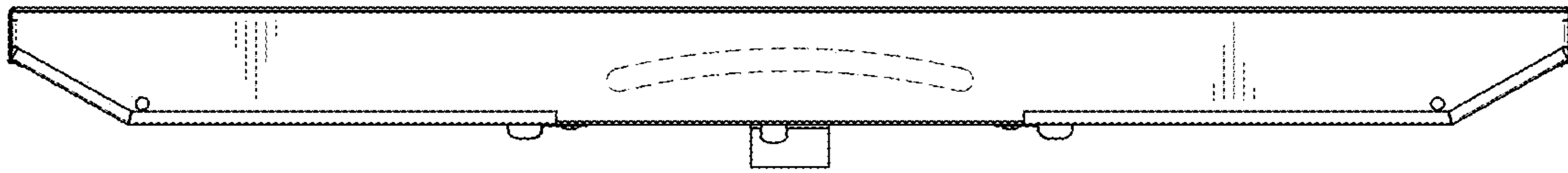


FIG. 7

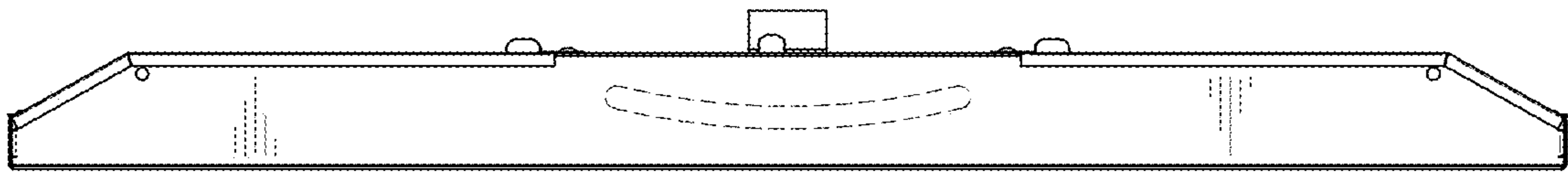


FIG. 8