



US00D917761S

(12) **United States Design Patent** (10) **Patent No.:** **US D917,761 S**
Santoro et al. (45) **Date of Patent:** **** *Apr. 27, 2021**

(54) **RECESSED ROUND LUMINAIRE**
(71) Applicant: **Fluxwerx Illumination Inc.**, Surrey (CA)
(72) Inventors: **Scott Santoro**, Delta (CA); **Lance David Howitt**, Vancouver (CA)
(73) Assignee: **Lumenpulse Group Inc./Group Lumenpulse Inc.**, Longueuil (CA)
(*) Notice: This patent is subject to a terminal disclaimer.

D583,981 S 12/2008 Meyer et al.
D599,951 S 9/2009 Pickard et al.
D601,744 S 10/2009 Sakuma
D617,035 S 6/2010 Sabernig
D639,993 S 6/2011 Mier-Langner
D667,985 S 9/2012 Gielen
D674,887 S 1/2013 Dyson
D705,473 S 5/2014 Messisaen
D736,986 S 8/2015 Hadrath
D759,873 S 6/2016 Saaranen
D770,084 S 10/2016 Salomon
D773,102 S 11/2016 Meise
D808,565 S * 1/2018 Ambrozus D26/74
D824,566 S * 7/2018 Santoro D26/74

(Continued)

(**) Term: **15 Years**

Primary Examiner — Angela J Lee
(74) *Attorney, Agent, or Firm* — Oyen Wiggs Green & Mutala LLP

(21) Appl. No.: **29/661,537**

(22) Filed: **Aug. 28, 2018**

Related U.S. Application Data

(62) Division of application No. 29/552,877, filed on Jan. 26, 2016, now abandoned.

(51) **LOC (13) Cl.** **26-05**

(52) **U.S. Cl.**
USPC **D26/74**

(58) **Field of Classification Search**
USPC D26/74, 72, 75, 76, 77, 78, 85, 88, 89, D26/118, 138, 141; 362/364, 365, 373, 362/145, 146, 147, 148, 150, 153, 153.1, 362/294, 296.01, 296.07, 296.08
CPC F21V 29/2262; F21V 7/06; F21V 21/044; F21V 21/047; F21V 29/2212; F21V 29/2225; F21V 29/2256; F21V 29/225; F21V 29/2268; F21Y 2111/002; F21S 8/02; F21S 8/026
See application file for complete search history.

(56) **References Cited**

U.S. PATENT DOCUMENTS

D437,654 S 2/2001 Chen
D474,300 S 5/2003 Lecluze

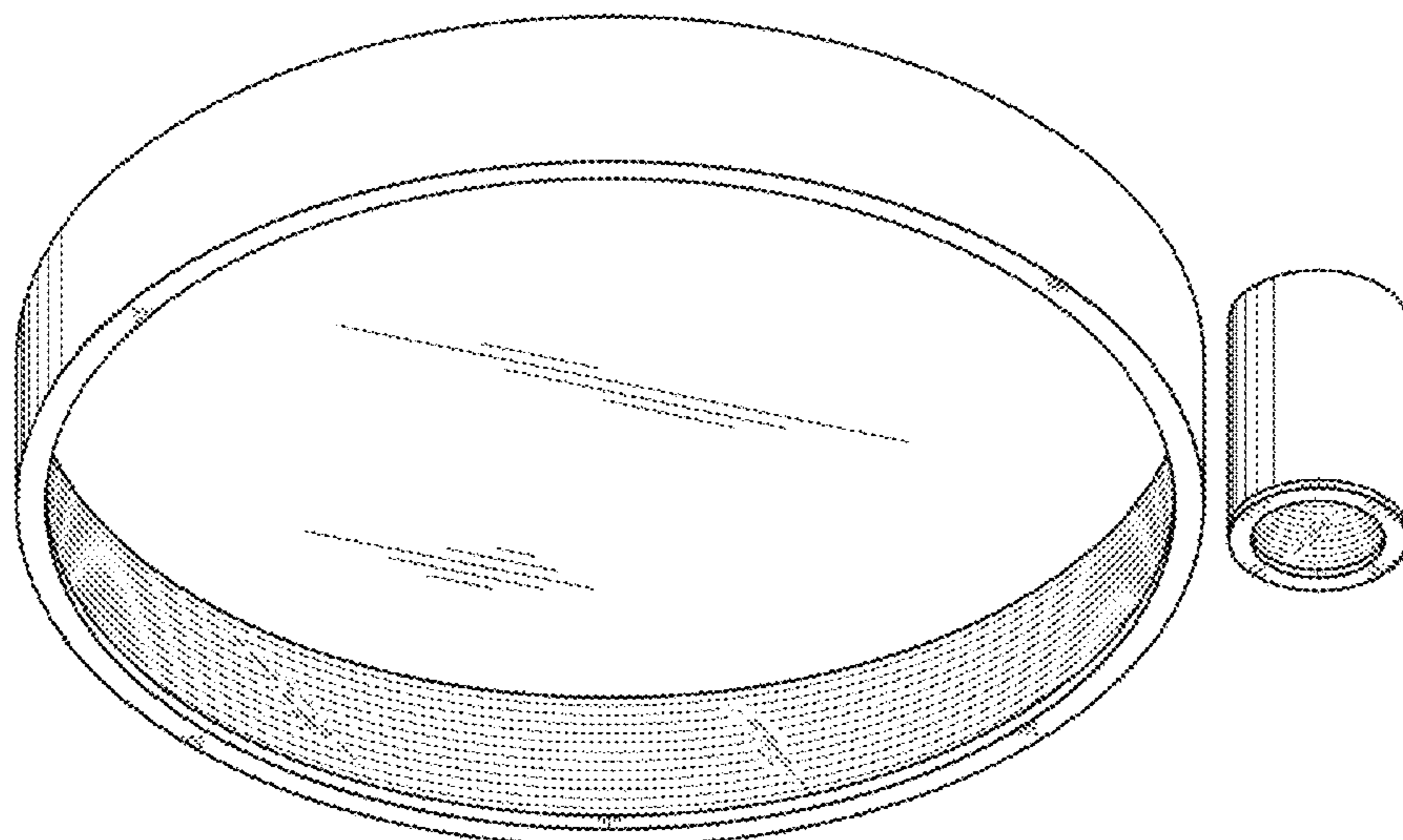
(57) **CLAIM**

The ornamental design for a recessed round luminaire, as shown and described.

DESCRIPTION

FIG. 1 is a bottom view of a first embodiment a recessed round luminaire, showing our new design;
FIG. 2 is a bottom perspective view thereof;
FIG. 3 is a bottom view of a second embodiment of a recessed round luminaire, showing our new design;
FIG. 4 is a bottom perspective view thereof;
FIG. 5 is a bottom view of a third embodiment of a recessed round luminaire, showing our new design;
FIG. 6 is a bottom perspective view thereof;
FIG. 7 is a bottom view of a fourth embodiment of a recessed round luminaire, showing our new design;
FIG. 8 is a bottom perspective view thereof;
FIG. 9 is a bottom view of a fifth embodiment of a recessed round luminaire, showing our new design; and,
FIG. 10 is a bottom perspective view thereof.

1 Claim, 6 Drawing Sheets



(56)

References Cited

U.S. PATENT DOCUMENTS

D851,321	S *	6/2019	Vanslambrouck	D26/89
D854,736	S *	7/2019	Moore	D26/124
D854,737	S *	7/2019	Moore	D26/124
D864,468	S *	10/2019	Behnke	F21V 17/002 D26/142
D866,850	S *	11/2019	Moore	D26/124
D873,471	S *	1/2020	Nielsen	D26/89
D880,041	S *	3/2020	Ghasabi	D26/74
D887,064	S *	6/2020	Speier	D26/74
D888,315	S *	6/2020	Velez	D26/85
2013/0039072	A1 *	2/2013	Kim	F21V 23/02 362/294

* cited by examiner

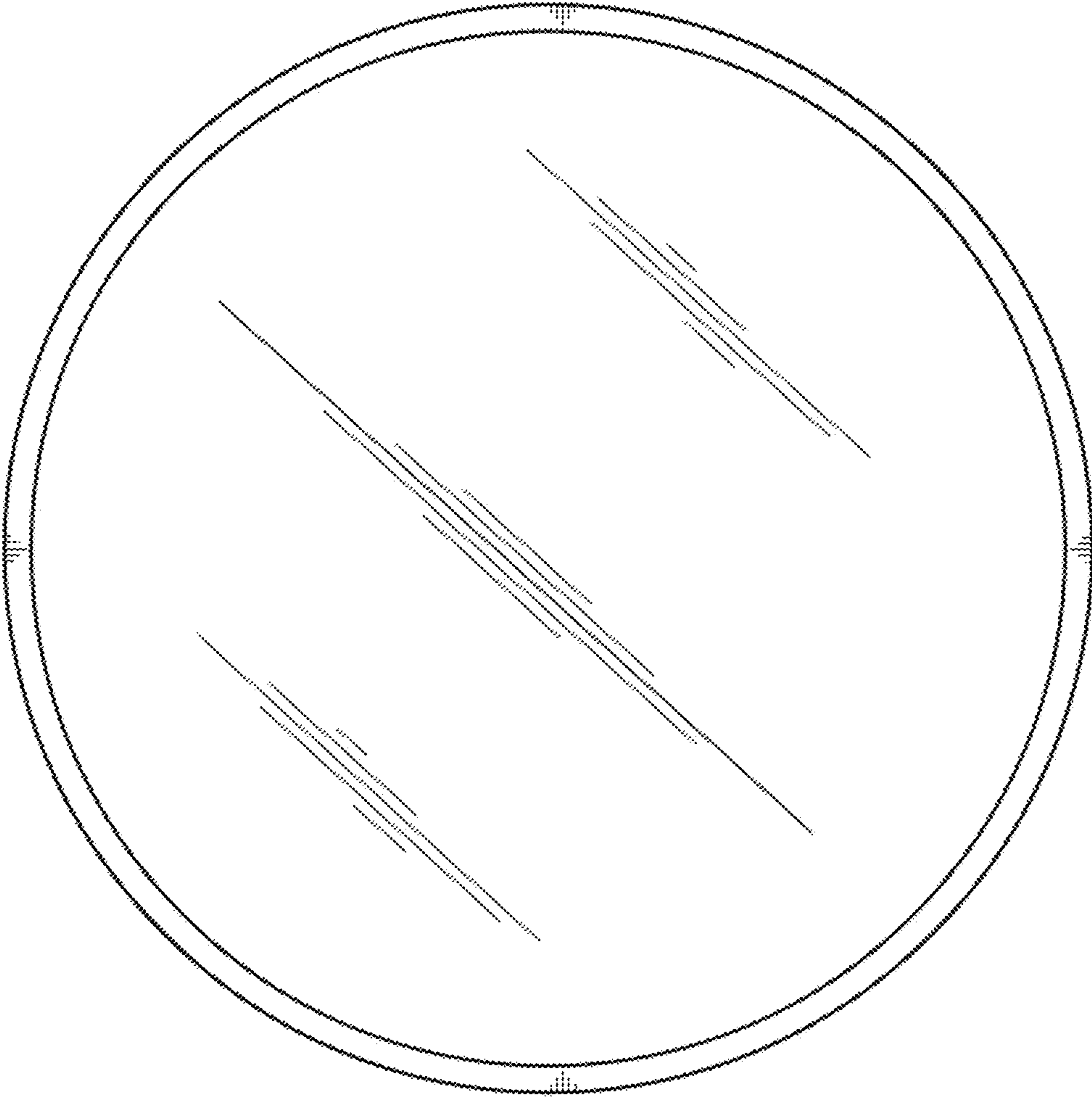


Fig. 1

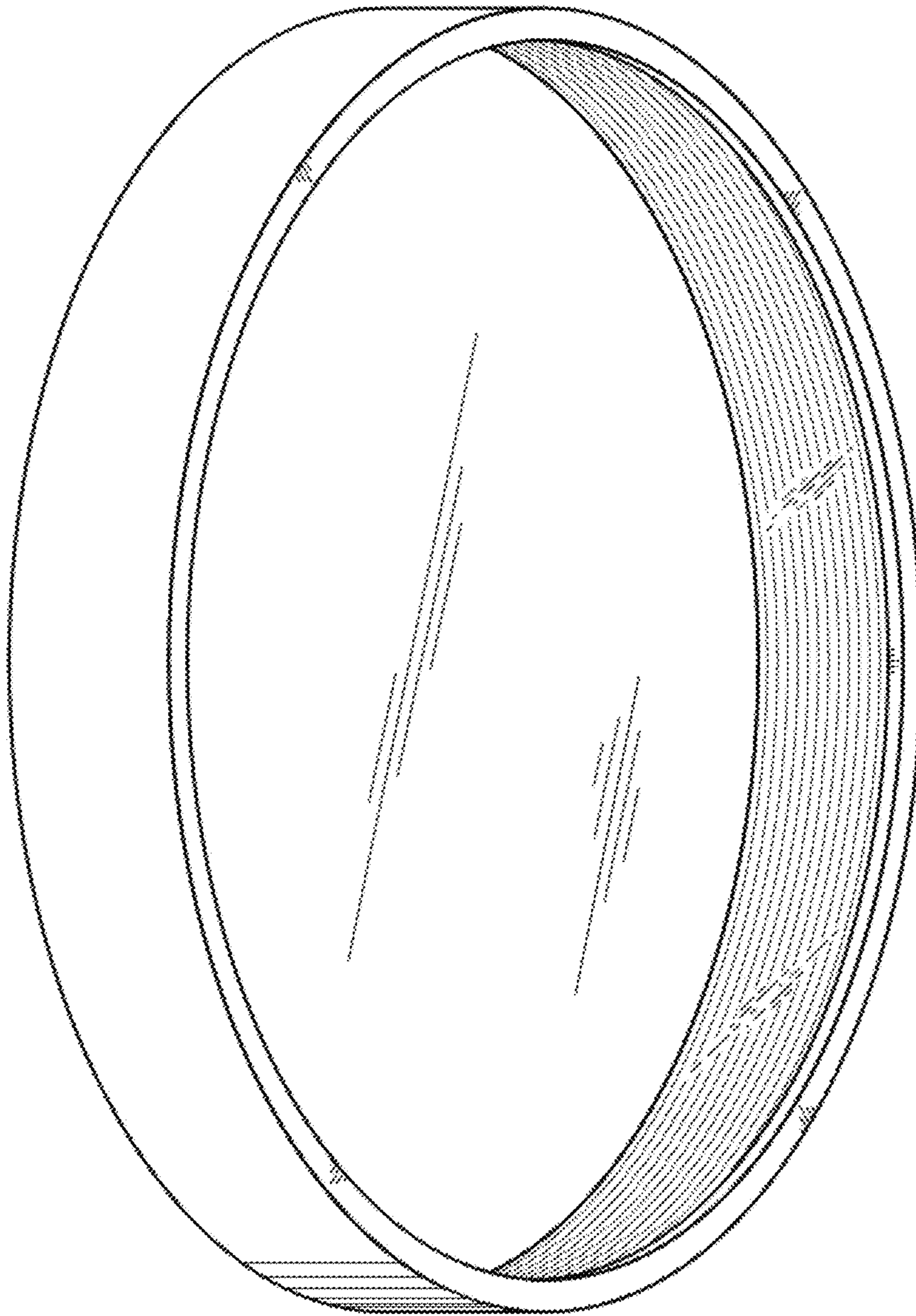


Fig. 2

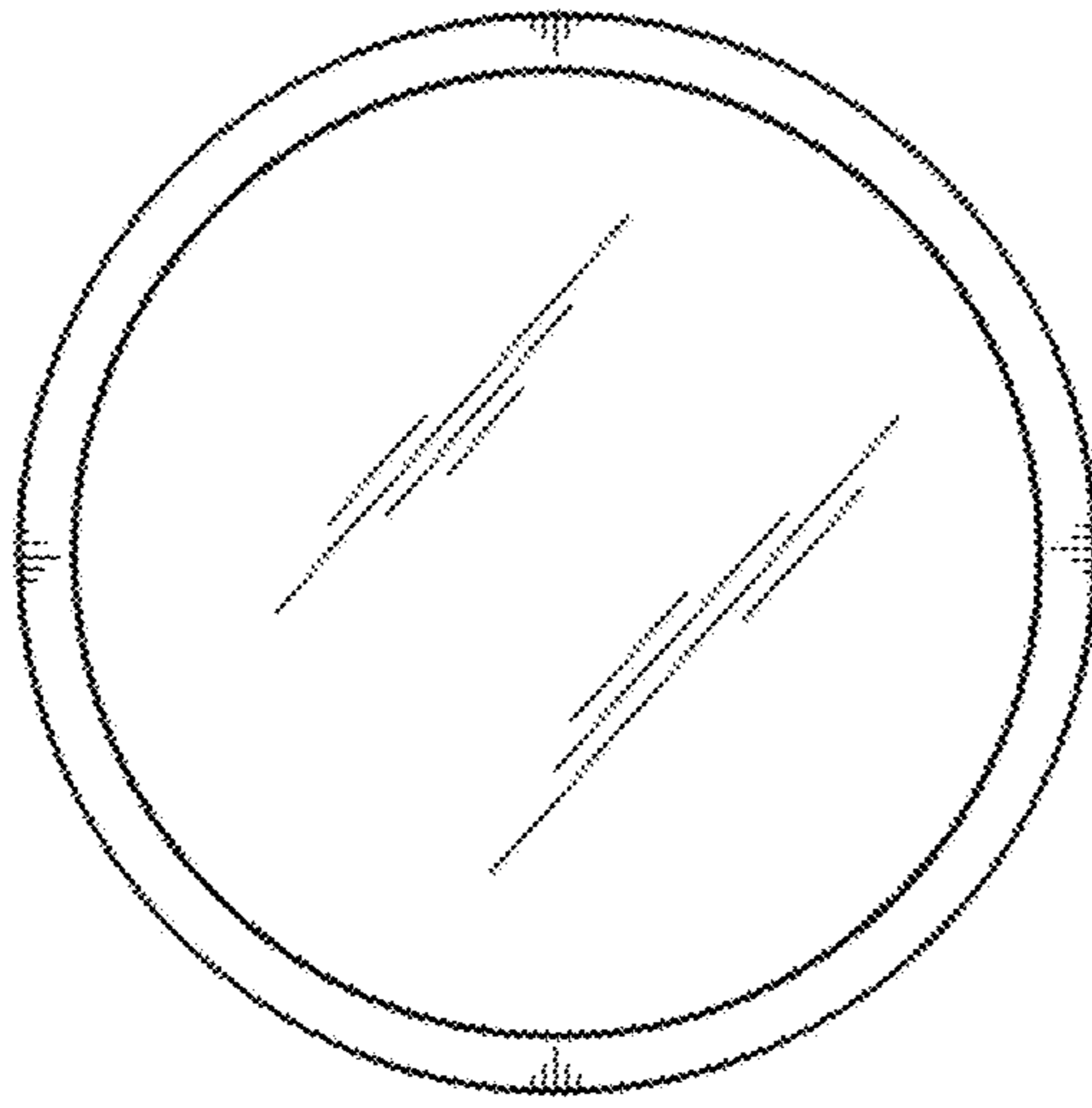


Fig. 3

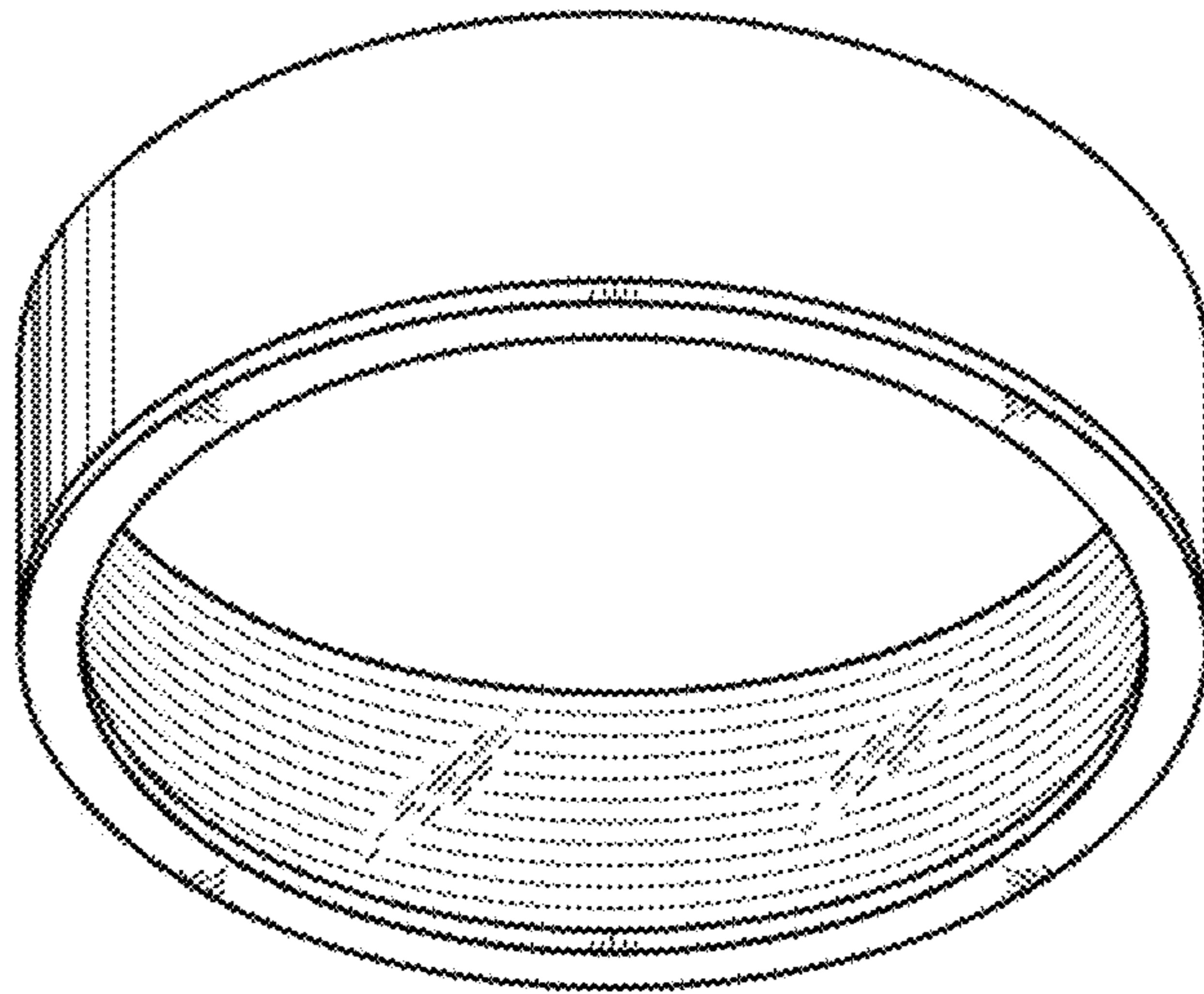


Fig. 4

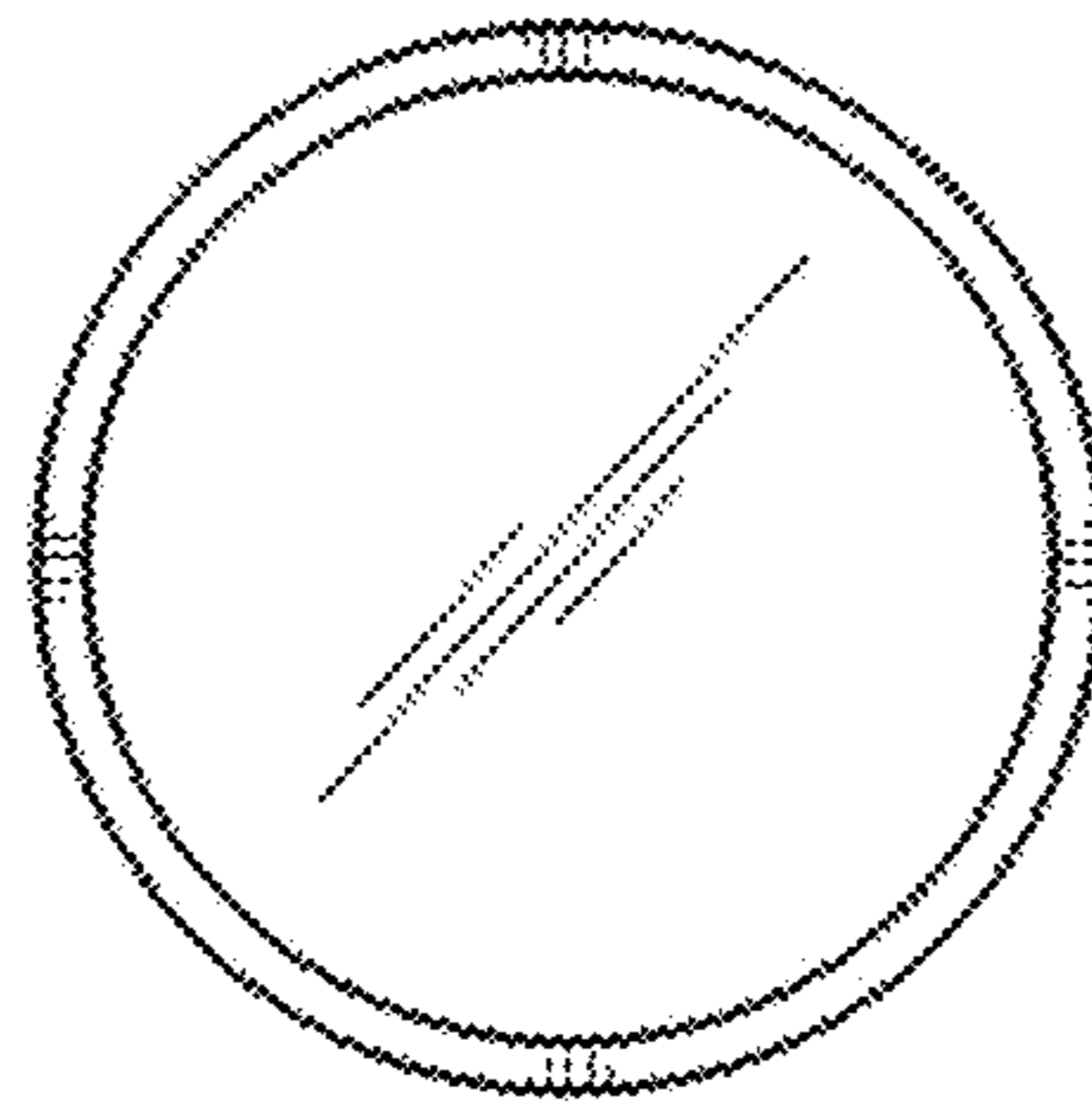


Fig. 5

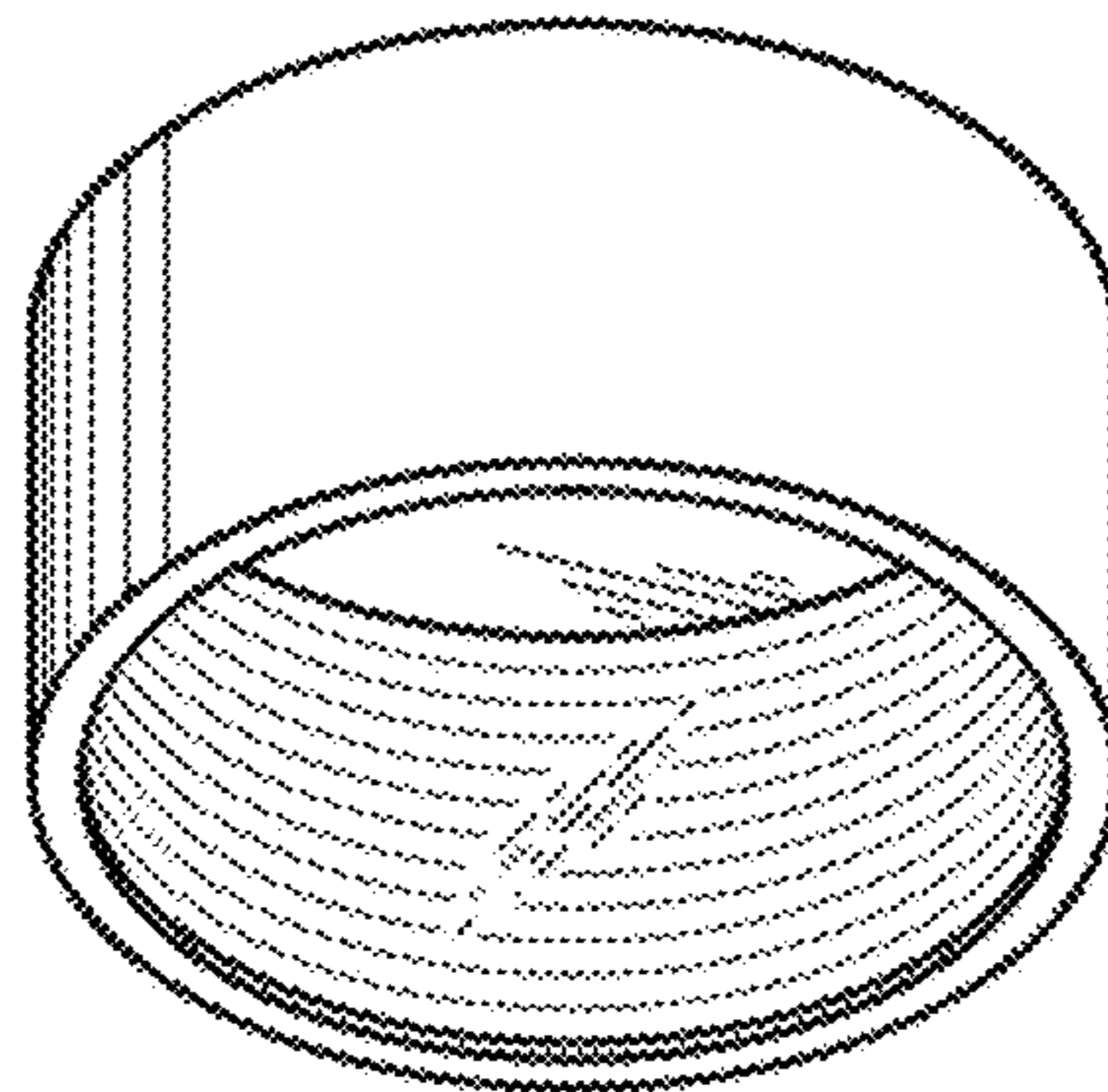


Fig. 6

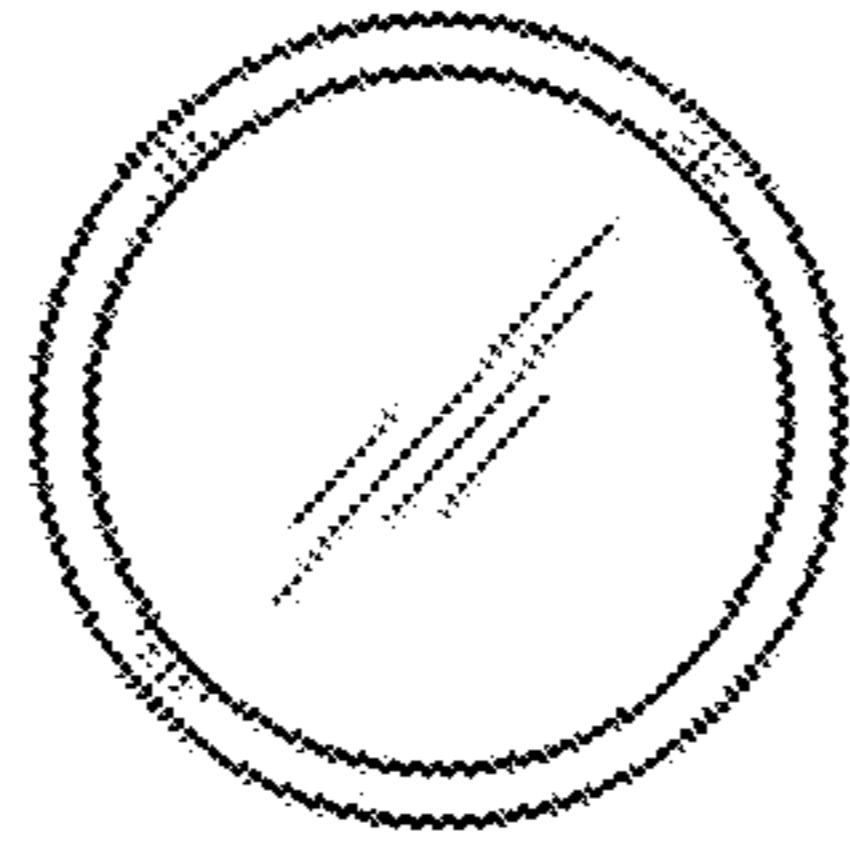


Fig. 7

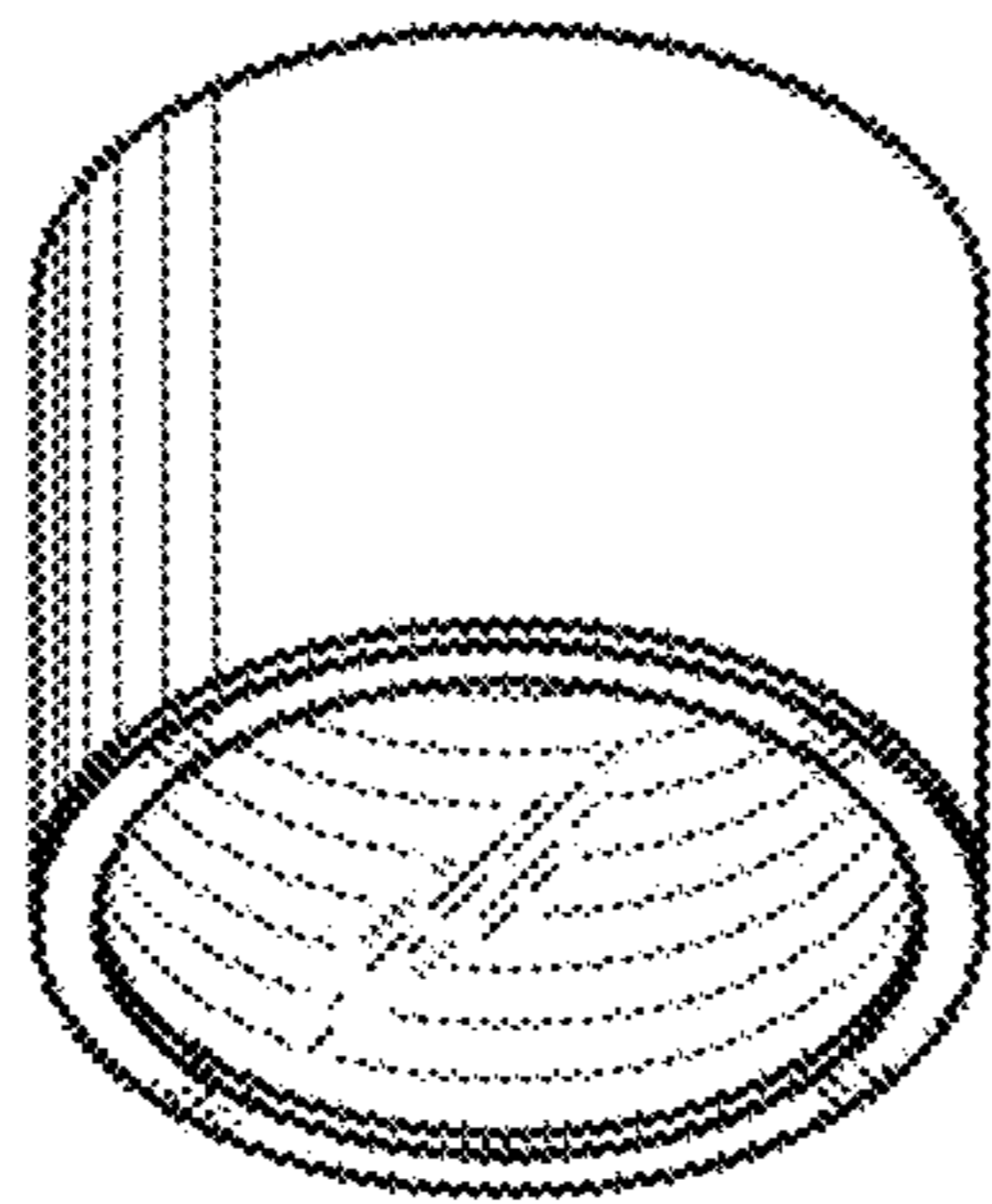


Fig. 8

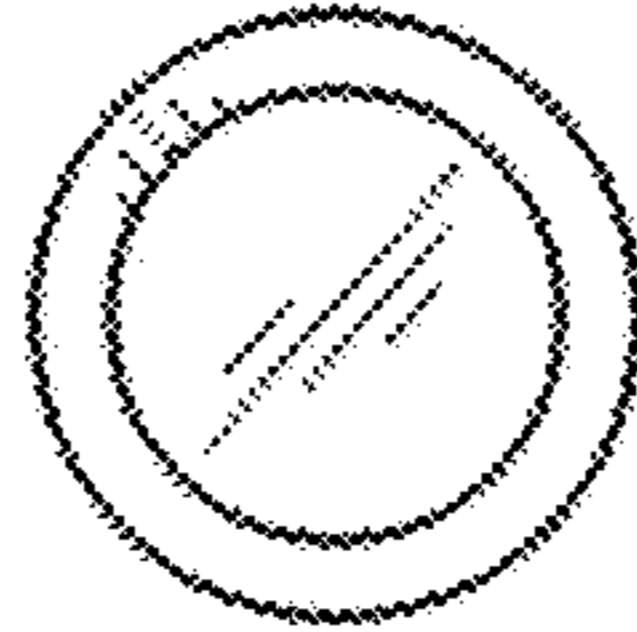


Fig. 9

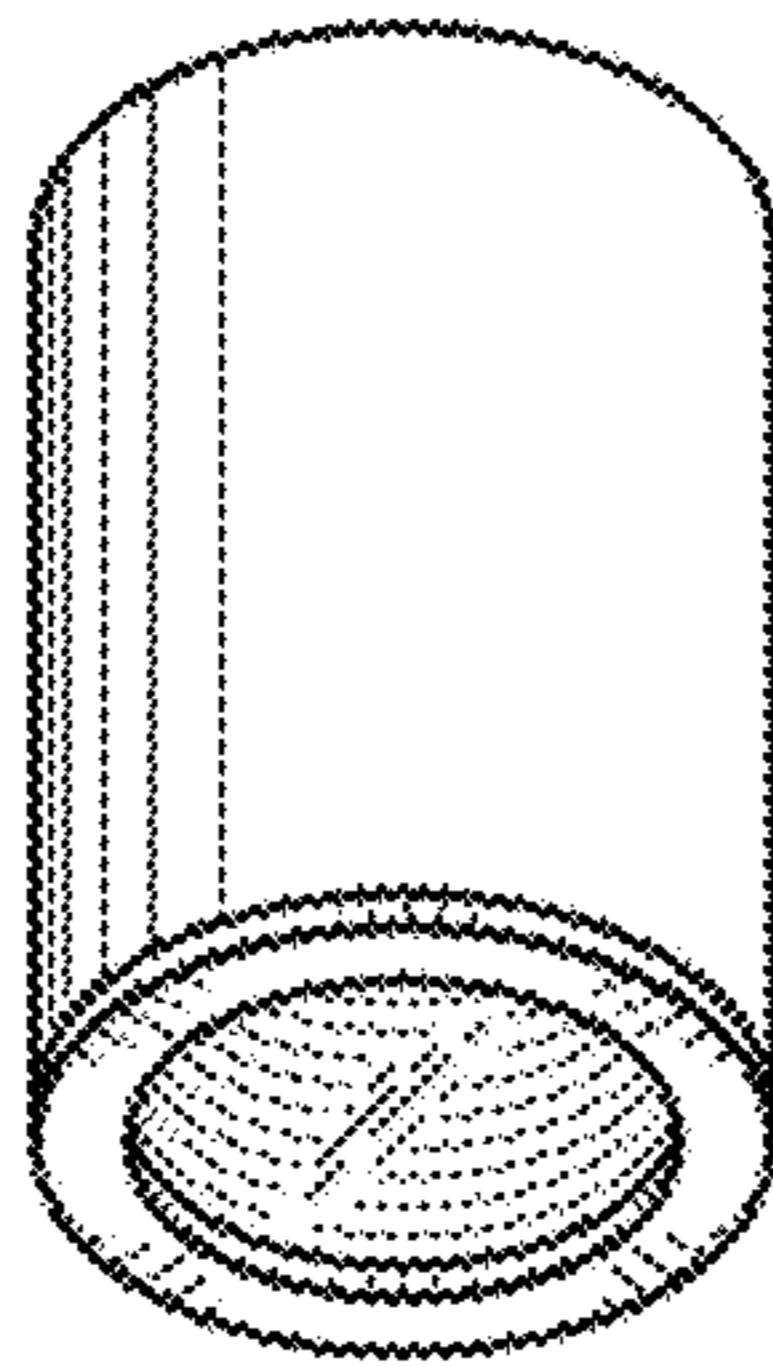


Fig. 10