



US00D917760S

(12) **United States Design Patent** (10) **Patent No.:** **US D917,760 S**
Lissoni (45) **Date of Patent:** **** Apr. 27, 2021**

(54) **LIGHT FIXTURE**
(71) Applicant: **ANTARES ILUMINACIÓN, S.A.**,
Valencia (ES)
(72) Inventor: **Piero Lissoni**, Valencia (ES)
(73) Assignee: **ANTARES ILUMINACIÓN, S.A.**,
Valencia (ES)
(**) Term: **15 Years**
(21) Appl. No.: **29/696,462**
(22) Filed: **Jun. 27, 2019**
(51) **LOC (13) Cl.** **26-03**
(52) **U.S. Cl.**
USPC **D26/72; D26/82; D26/90**
(58) **Field of Classification Search**
USPC **D26/72, 80–86, 88, 90**
CPC **F21S 8/04; F21S 8/043; F21S 8/046; F21S**
8/06; F21S 8/061; F21S 8/063; F21S
8/065; F21S 8/066; F21S 8/068
See application file for complete search history.

(56) **References Cited**

U.S. PATENT DOCUMENTS

D240,653	S	*	7/1976	Eftekhari	D26/80
D619,291	S	*	7/2010	Thevenot	D26/75
D761,478	S	*	7/2016	Ng	D26/80
D761,990	S	*	7/2016	Ng	D26/80
D773,714	S	*	12/2016	Sonneman	D26/84
D775,397	S	*	12/2016	Sonneman	D26/90
D792,633	S	*	7/2017	Sonneman	D26/90
D793,605	S	*	8/2017	Cartwright	D26/81
D800,369	S	*	10/2017	Sonneman	D26/84
D828,607	S	*	9/2018	Sonneman	D26/81
D829,954	S	*	10/2018	Sonneman	D26/80
D862,767	S	*	10/2019	Pomputius	D26/81
D876,702	S	*	2/2020	Genovese	D26/90
2014/0334140	A1	*	11/2014	Chiu	F21S 6/005 362/217.17

2015/0055344	A1	*	2/2015	Van Hoof	F21S 2/005 362/249.03
2017/0030561	A1	*	2/2017	Dix	F21S 2/005
2017/0198895	A1	*	7/2017	Sonneman	F21S 8/065
2019/0162397	A1	*	5/2019	Sonneman	F21V 23/002
2019/0211983	A1	*	7/2019	Shine	F21S 8/043
2020/0263859	A1	*	8/2020	Kinsley	F21V 21/005
2020/0393099	A1	*	12/2020	Yaphe	F21V 21/005

OTHER PUBLICATIONS

Still by Delta—LED swivel pendant light designed by Nathalie Dewez found at <https://www.archiproducts.com/en/products/delta-light/led-swivel-pendant-lamp-still_449265> visited Dec. 31, 2020. (Year: 2020).*

DEALBUHK 5-Light Sputnik Chandelier available on amazon.co.uk Jul. 2, 2020. (Year: 2020).*

ZHANGRONG—Chandelier available at amazon.it Sep. 21, 2017. (Year: 2017).*

* cited by examiner

Primary Examiner — Clare E Heflin
(74) *Attorney, Agent, or Firm* — Rothwell, Figg, Ernst & Manbeck, P.C.

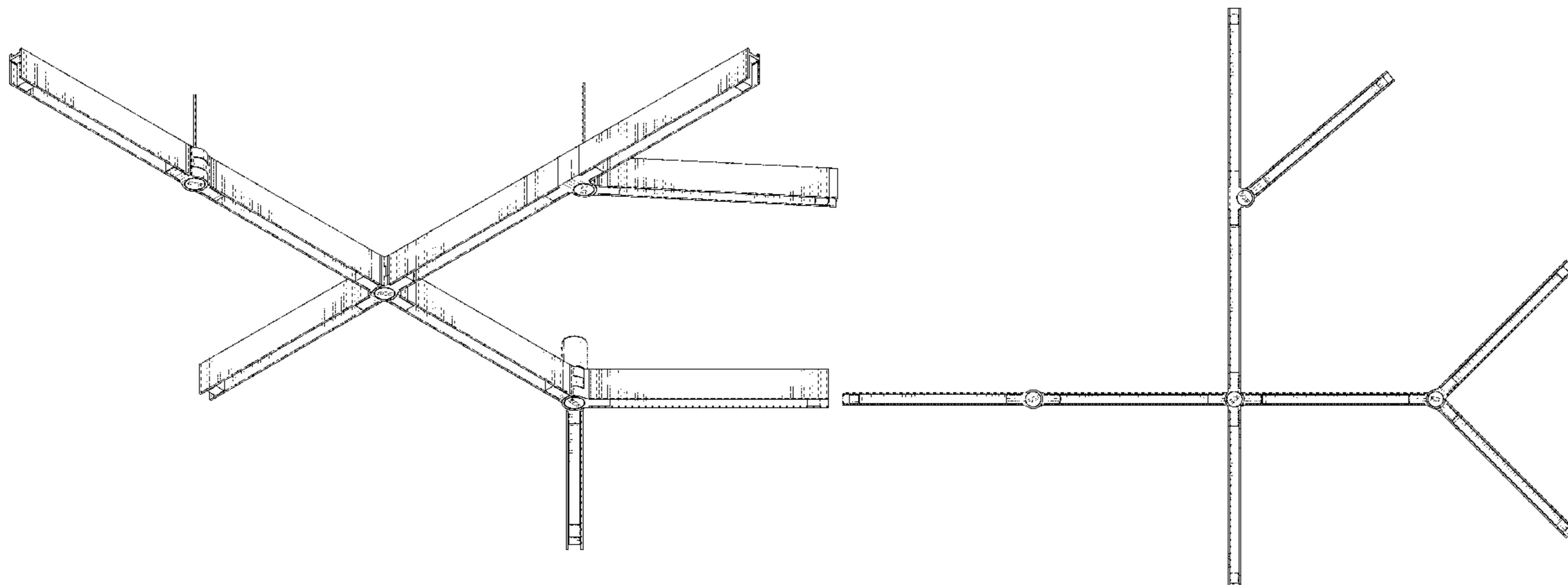
(57) **CLAIM**

The ornamental design for the light fixture, as shown and described.

DESCRIPTION

FIG. 1 is a perspective view of the bottom, front, and right side of the light fixture;
FIG. 2 is a right side view of the light fixture;
FIG. 3 is a left side view of the light fixture;
FIG. 4 is a front view of the light fixture;
FIG. 5 is a rear view of the light fixture;
FIG. 6 is a bottom view of the light fixture;
FIG. 7 is a top view of the light fixture; and,
FIG. 8 is a perspective view of the top, front, and right side of the light fixture.

1 Claim, 6 Drawing Sheets



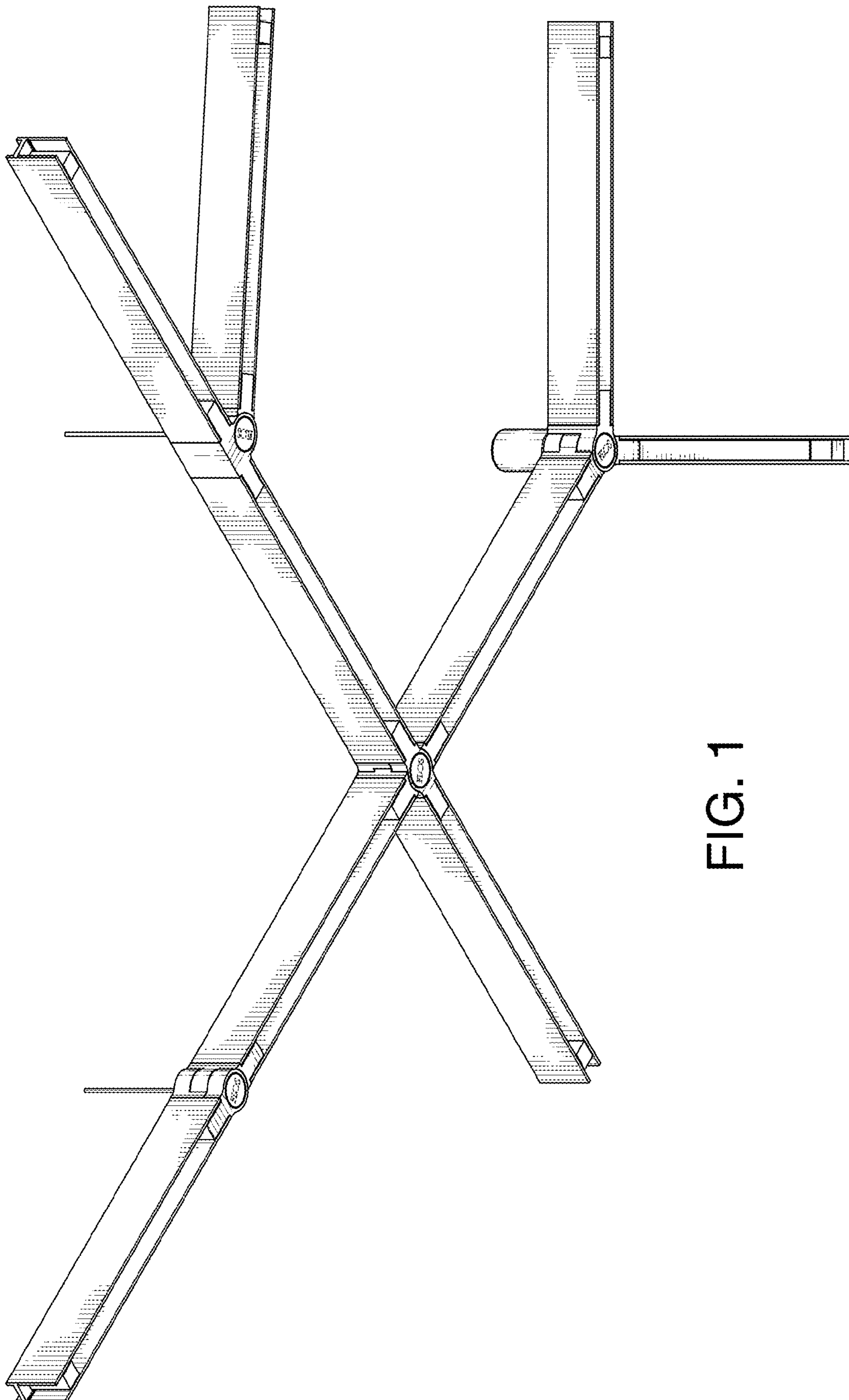


FIG. 1

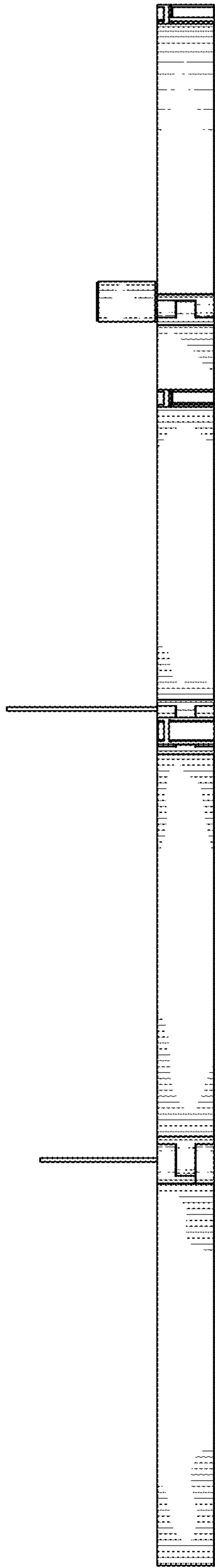


FIG. 2

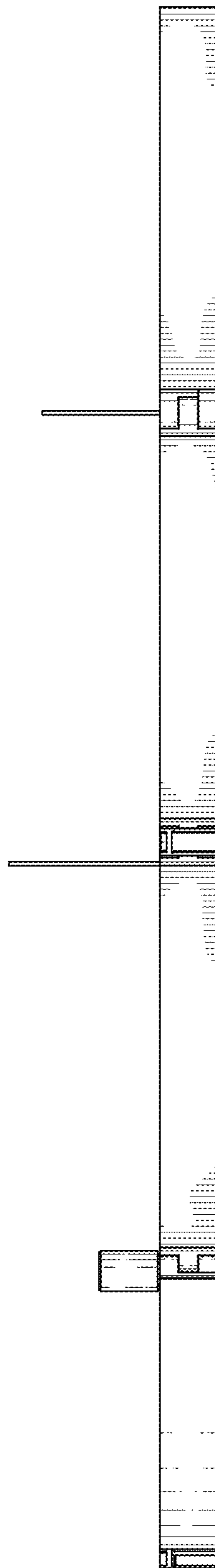


FIG. 3

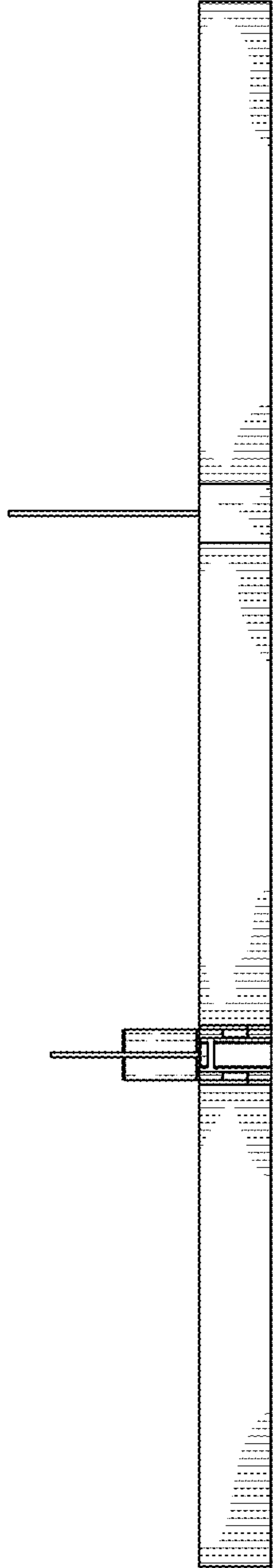


FIG. 4

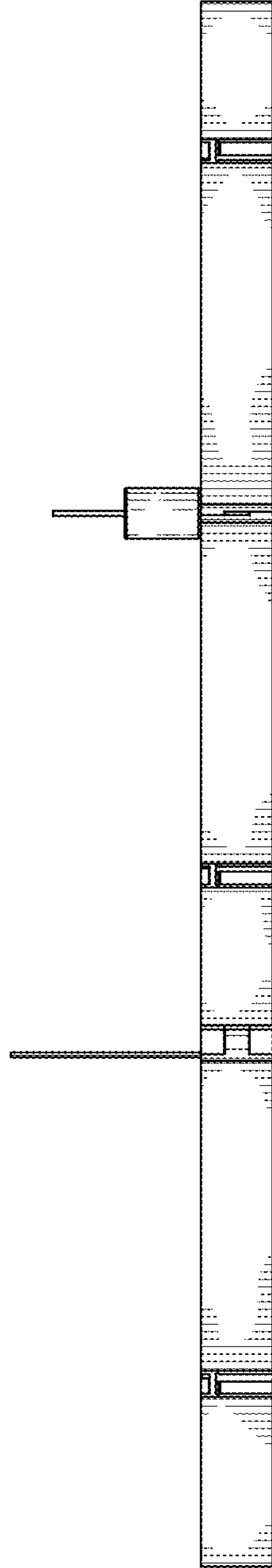


FIG. 5

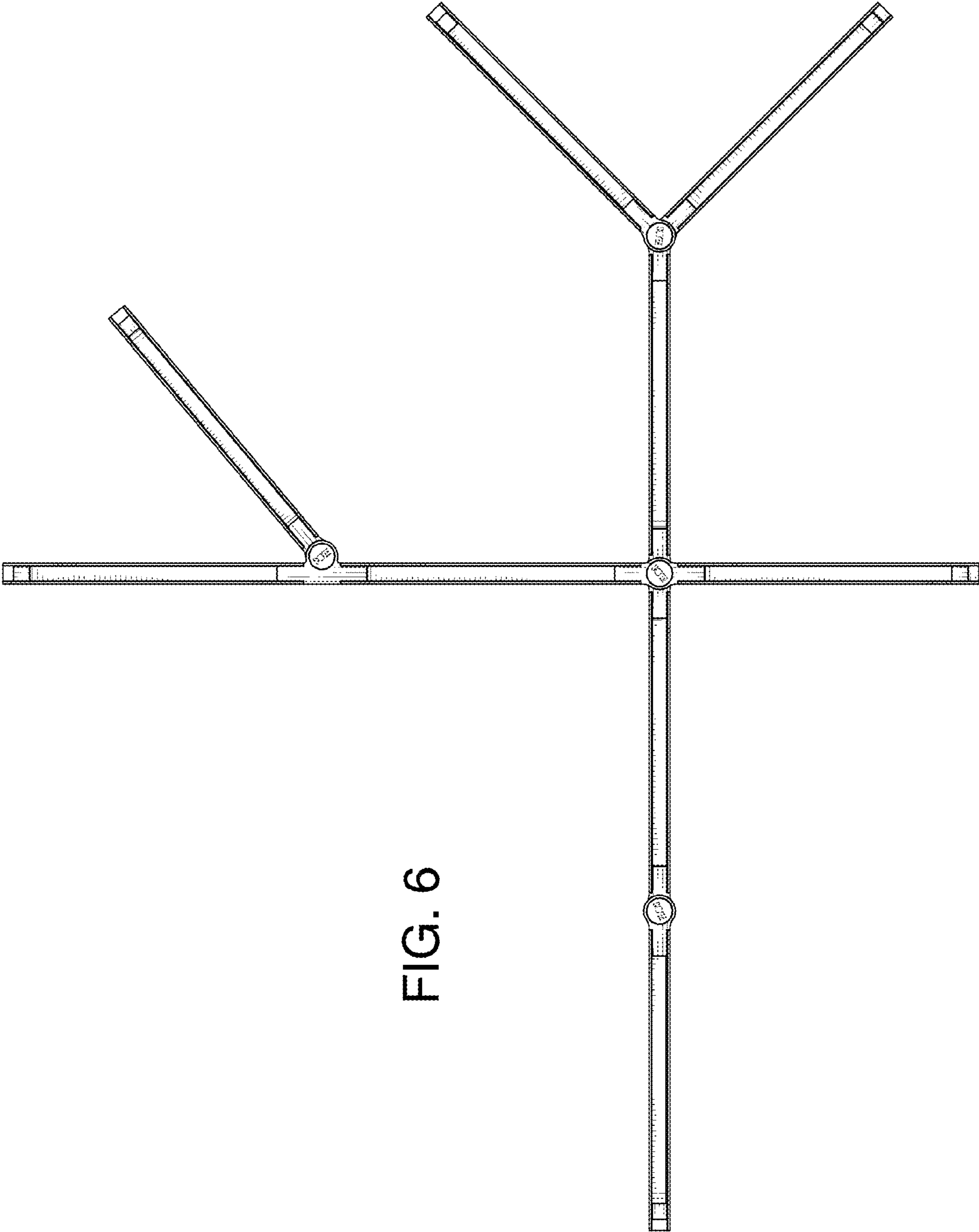
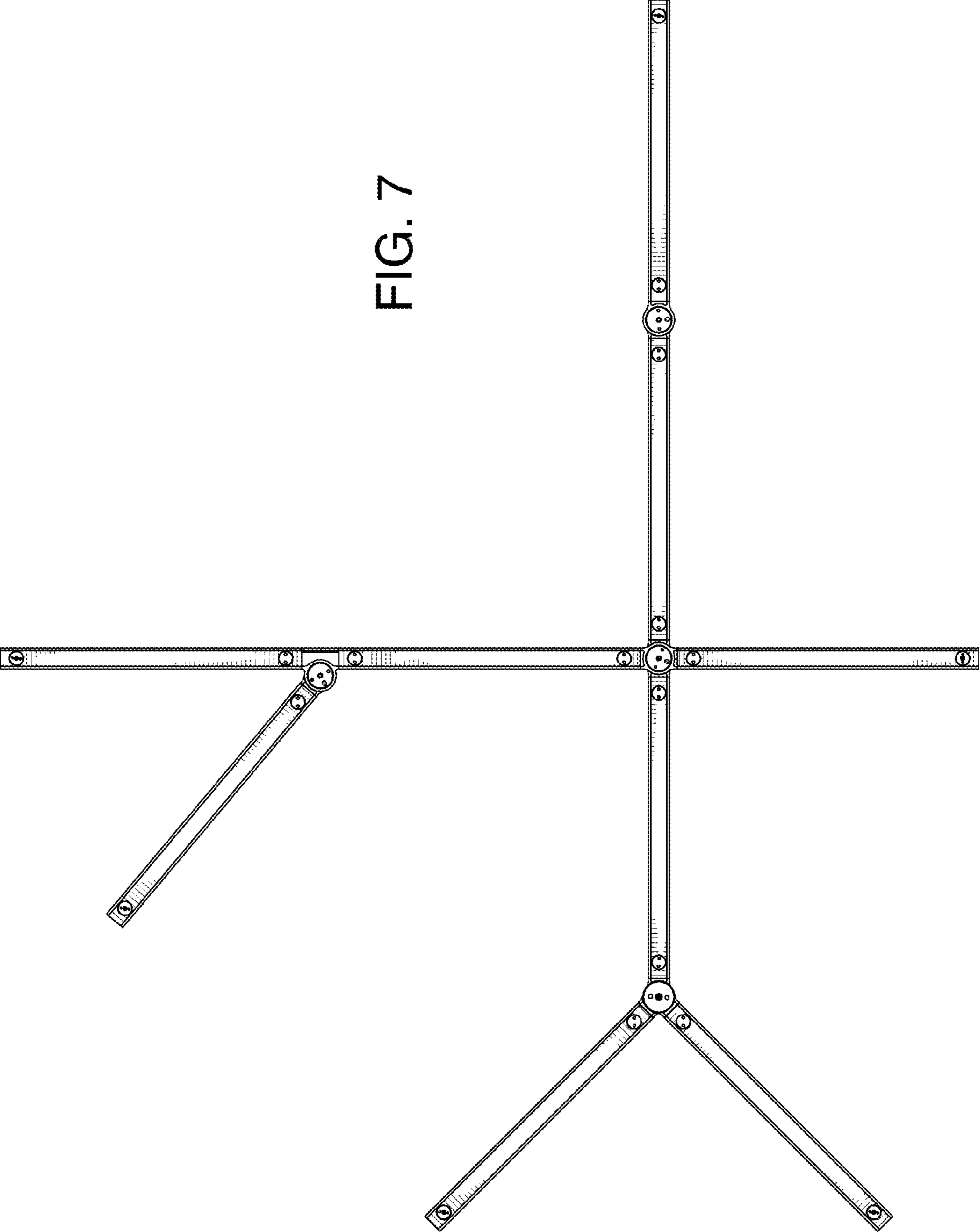


FIG. 6

FIG. 7



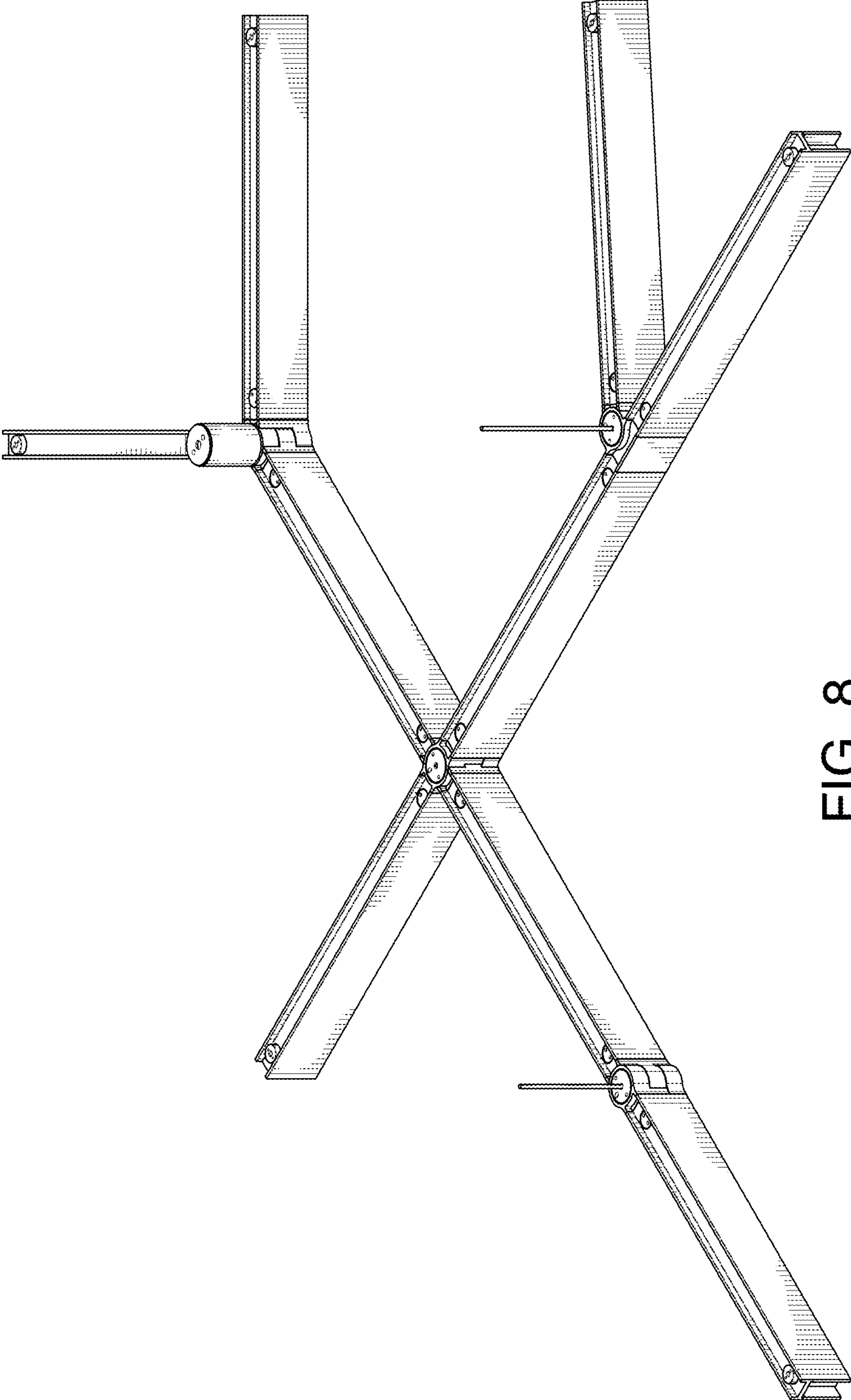


FIG. 8