



US00D917759S

(12) **United States Design Patent** (10) **Patent No.:** **US D917,759 S**
Zhou (45) **Date of Patent:** **** Apr. 27, 2021**

(54) **SOLAR WALL LIGHT**

(71) Applicant: **TOP-GROUP TRADING CO., LTD,**
Guangdong Province (CN)

(72) Inventor: **Xin Zhou,** Guangdong Province (CN)

(**) Term: **15 Years**

(21) Appl. No.: **29/673,586**

(22) Filed: **Dec. 17, 2018**

(51) **LOC (13) Cl.** **26-05**

(52) **U.S. Cl.**
USPC **D26/72**

(58) **Field of Classification Search**
USPC D26/24, 63, 72, 74, 75-78, 80-92, 118,
D26/120, 122, 142, 149; D13/134;
D10/111-115
CPC F21V 23/003; F21V 23/023; F21V 29/71;
F21V 29/713; F21V 29/717; F21V 29/73;
F21V 29/74; F21V 29/745; F21V 29/75;
F21V 29/76; F21V 5/00; F21V 1/02;
F21Y 2115/10; F21S 8/002; F21S 8/04;
F21S 8/026

See application file for complete search history.

(56) **References Cited**

U.S. PATENT DOCUMENTS

D168,812 S *	2/1953	Ulrick	D26/67
D496,748 S *	9/2004	Herst	D26/118
D626,270 S *	10/2010	Waldmann	D26/85
D627,916 S *	11/2010	Butteris	D26/85
D738,563 S *	9/2015	Martins	D26/118
D806,306 S *	12/2017	Yang	D26/85
D808,569 S *	1/2018	Ban	D26/85
D813,439 S *	3/2018	Hou	D26/85
D829,359 S *	9/2018	Zhang	D26/85
D847,398 S *	4/2019	Chen	D26/85
D870,952 S *	12/2019	Tan	D26/85
D875,991 S *	2/2020	Wan	D26/85
2013/0050996 A1 *	2/2013	Holscher	H02J 7/0071 362/184

OTHER PUBLICATIONS

46_LED_Solar_Motion_Sensor_Lights (available online) Retrieved from the internet Oct. 21, 2020 from URL: <https://www.joom.com/>

en/products/5c1362ef1436d40101806b12?reviewsPage=2-GUVYSPJMB0U-bHPNkLGPAbH1at4xL35s72SQ8HI4k3-Bo3Jhd5TLQOhqAAAAAADLAAAAAAAAAADLQnadp3lpw%E2%80%A6%201/12.*
EZBASICS Solar Lights Outdoor (available online Feb. 19, 2019) Retrieved from the internet Oct. 21, 2020 from URL: https://www.amazon.com/dp/B07P1XQGSd/ref=sspa_dk_detail_1?pd_rd_i=B07NYPRP74&pd_rd_w=jz6wW&pf_rd_p=f0355a48-7e73-489a-9590-564e12837b93&pd_rd_wg=Rsvnp&pf_rd_r=4NRNPT%E2%80%A6%201/21.*
Aluvee Original Solar Lights Outdoor (available online May 7, 2018) Retrieved from the internet Oct. 21, 2020 from URL: https://www.amazon.com/dp/B07CXTR153/ref=sspa_dk_detail_3?psc=1&pd_rd_i=B07CXTR153&pd_rd_w=6F0kj&pf_rd_p=7d37a48b-2b1a-4373-8c1a-bdcc5da66be9&pd_rd_wg=R0f7l&pf_rd_r=7D9%E2%80%A6%201/14.*

* cited by examiner

Primary Examiner — Kevin K Rudzinski
Assistant Examiner — Richard Kearney
(74) *Attorney, Agent, or Firm* — Prakash Nama; Global IP Services, PLLC

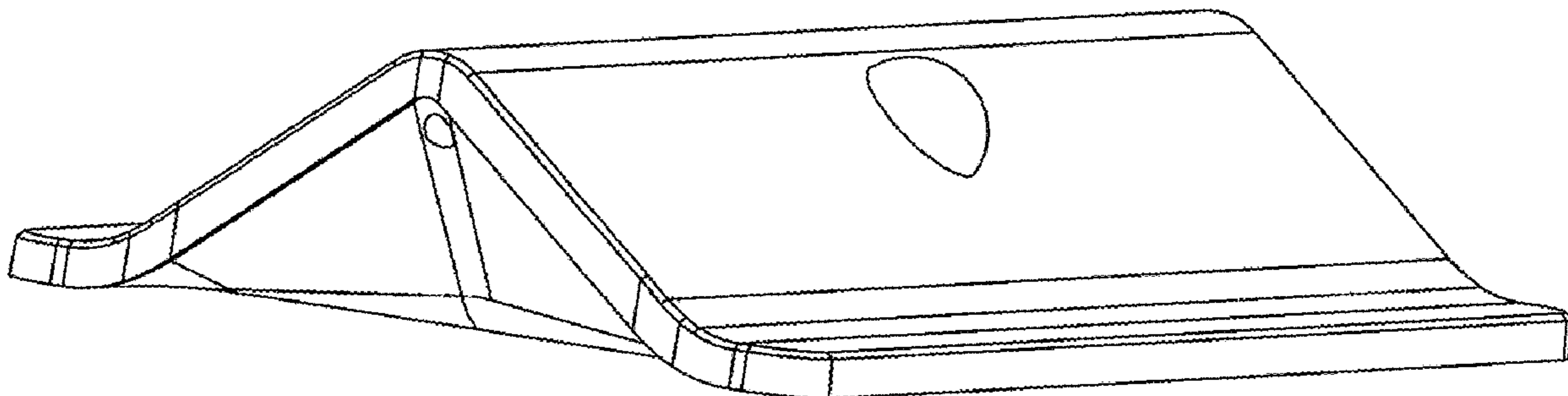
(57) **CLAIM**

The ornamental design for a solar wall light, as shown and described.

DESCRIPTION

FIG. 1 is a front elevational view of a solar wall light showing my new design;
FIG. 2 is a rear elevational view thereof;
FIG. 3 is a left side view thereof;
FIG. 4 is a right side view thereof;
FIG. 5 is a top plan view thereof;
FIG. 6 is a bottom plan view thereof;
FIG. 7 is a perspective view thereof; and,
FIG. 8 is another perspective view thereof.
The broken lines shown in the drawings illustrate portions of the solar wall light and form no part of the claimed design.

1 Claim, 8 Drawing Sheets



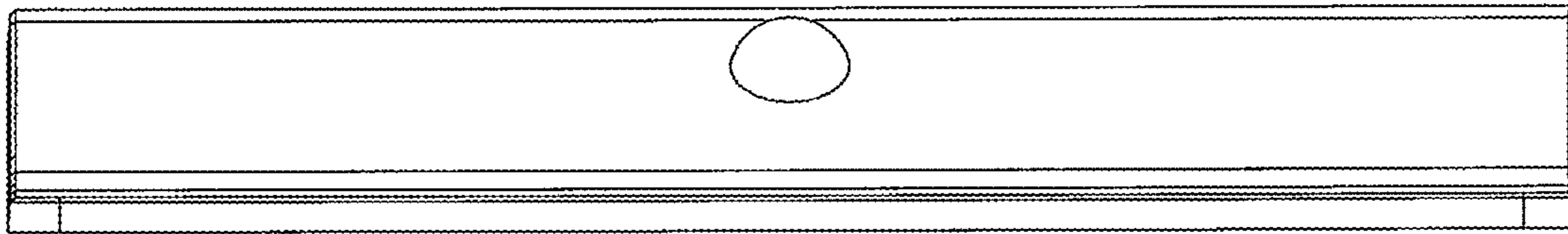


FIG. 1

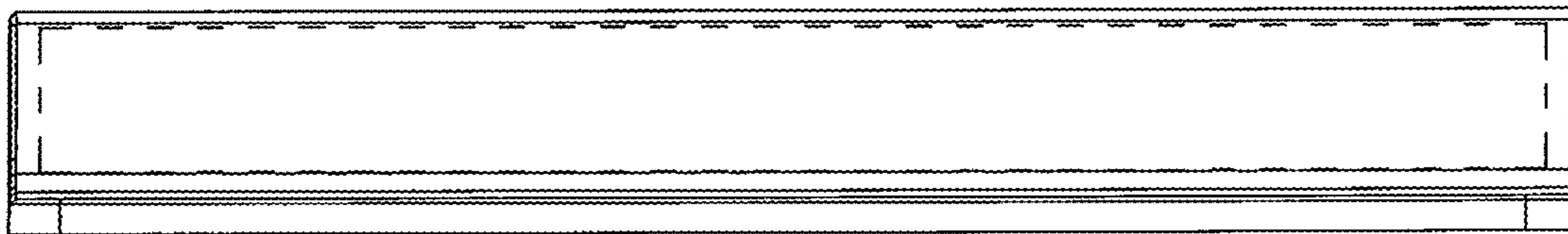


FIG. 2

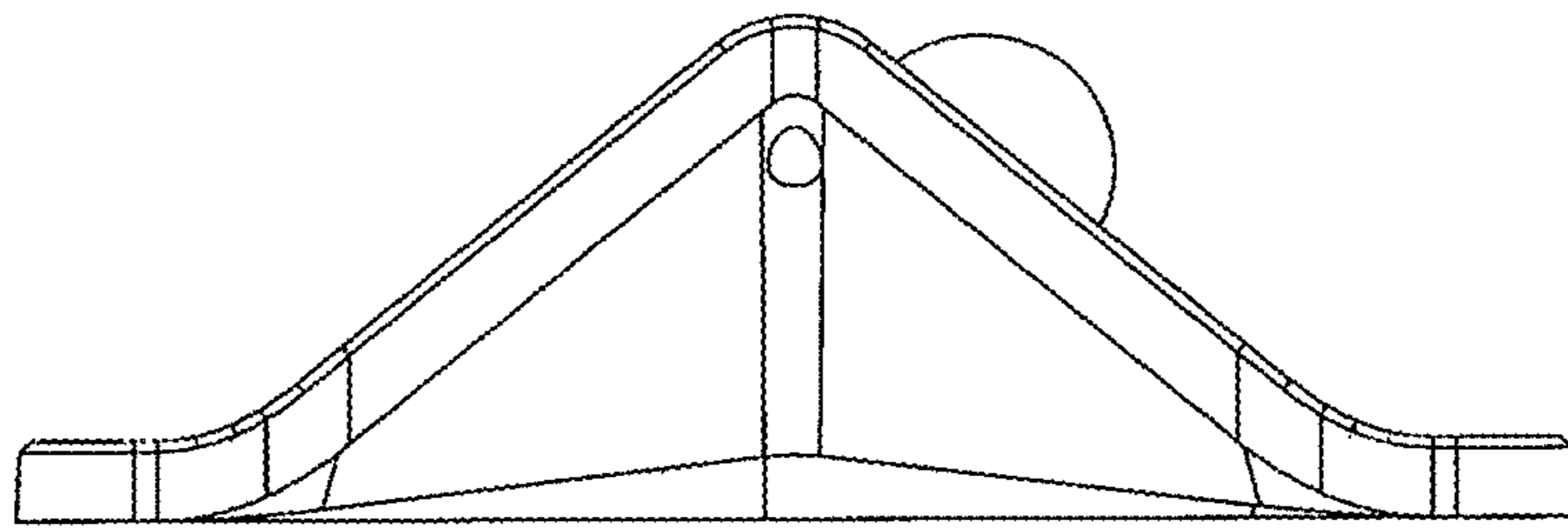


FIG. 3

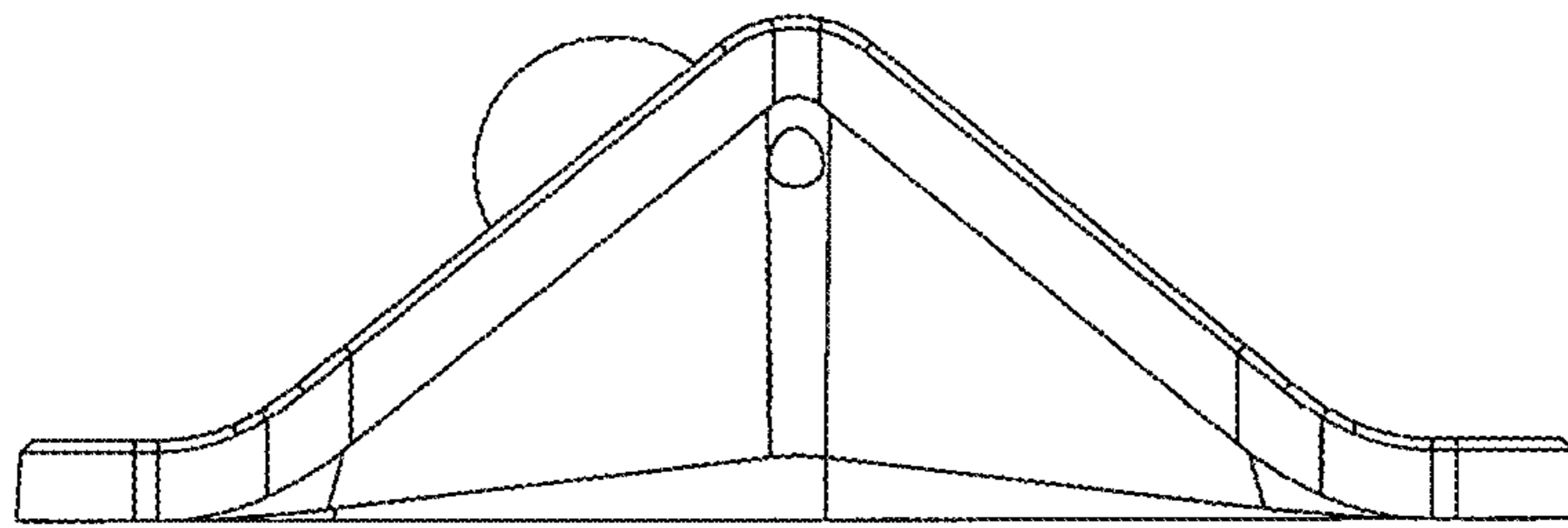


FIG. 4

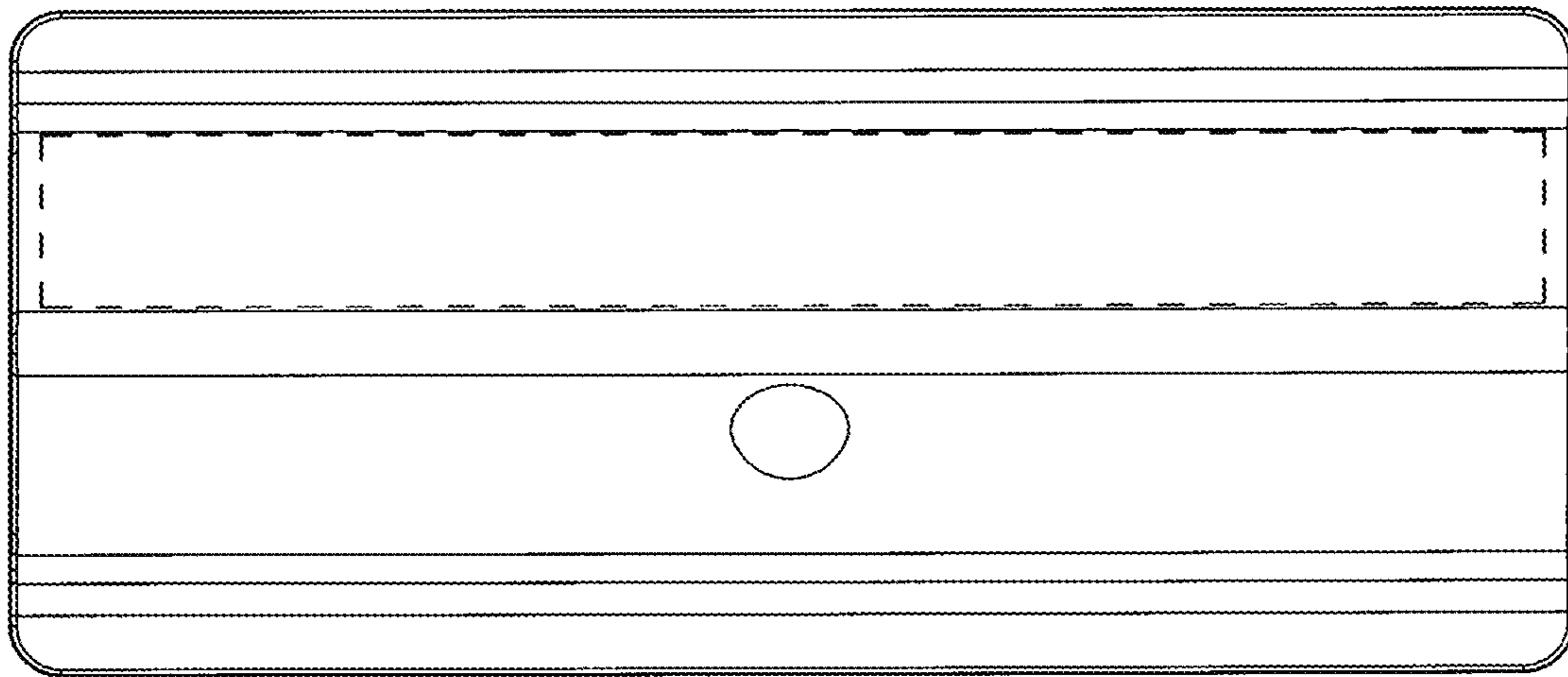


FIG. 5

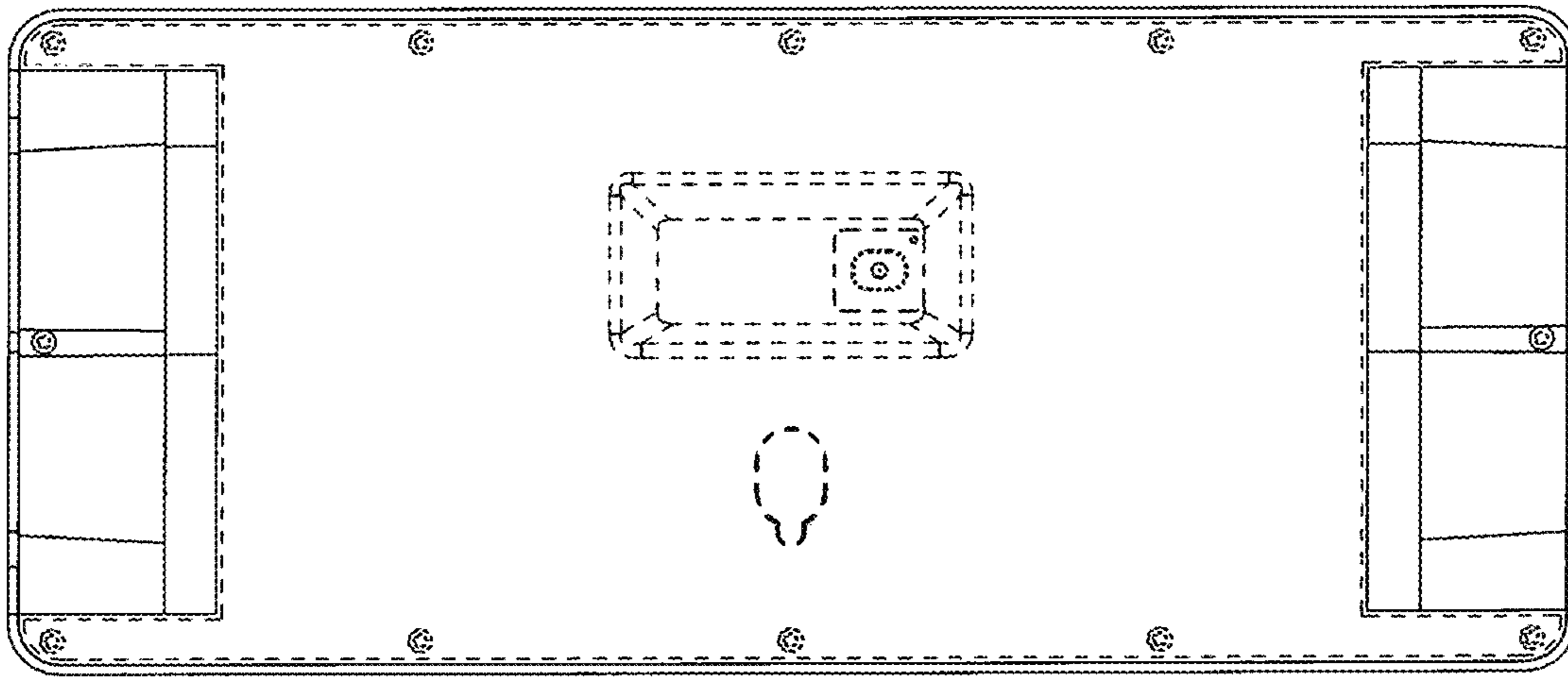


FIG. 6

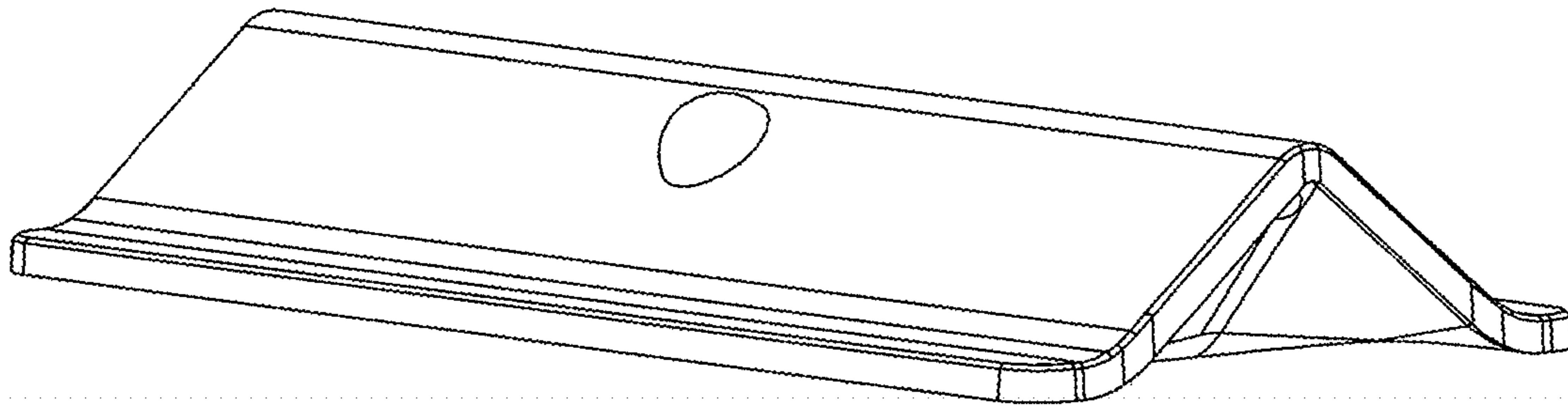


FIG. 7

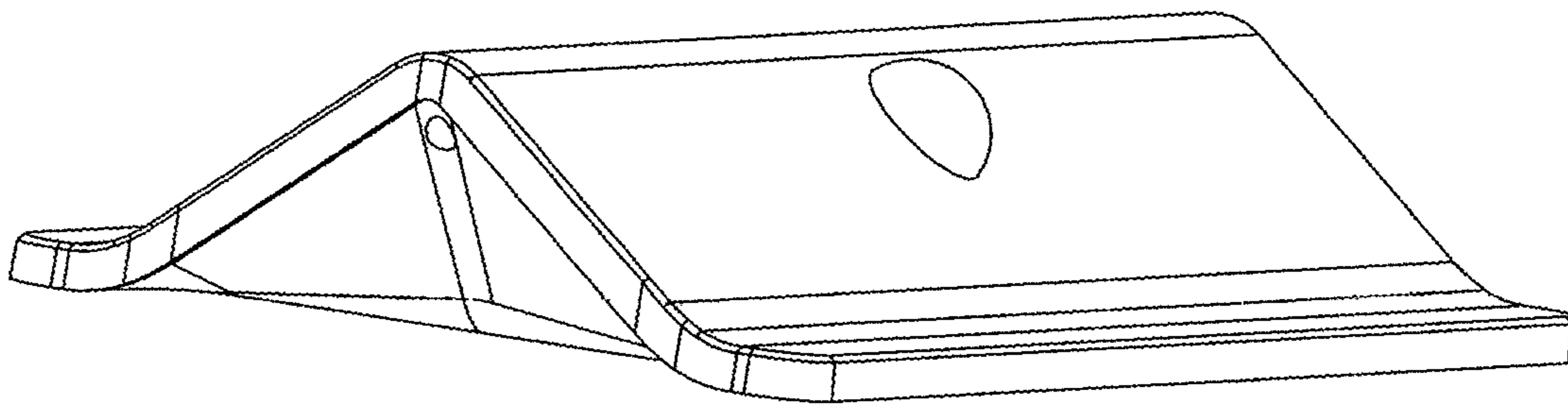


FIG. 8