



US00D917758S

(12) **United States Design Patent** (10) **Patent No.:** **US D917,758 S**
Pi et al. (45) **Date of Patent:** **** Apr. 27, 2021**

(54) **HIGH SHED LAMP**

(56) **References Cited**

(71) Applicant: **ZOPOISE TECHNOLOGY (ZHUSHOU) CO., LTD.**, Zhuzhou (CN)

U.S. PATENT DOCUMENTS

(72) Inventors: **Bruce Pi**, Zhuzhou (CN); **Wei Kang**, Zhuzhou (CN); **Shichang Huang**, Zhuzhou (CN)

D662,645 S *	6/2012	Morgan	D26/84
D690,453 S *	9/2013	Guercio	D26/88
D784,591 S *	4/2017	Bryant	D26/72
D802,179 S *	11/2017	Zeng	D26/2
D811,642 S *	2/2018	Liang	D26/72
D839,469 S *	1/2019	Deng	D26/88
D845,539 S *	4/2019	Deng	D26/149
D857,256 S *	8/2019	Li	D26/24
D867,650 S *	11/2019	Cheng	D26/113
D868,332 S *	11/2019	Zhao	D26/72
D868,336 S *	11/2019	Li	D26/72
2019/0293267 A1 *	9/2019	Marshal	F21V 23/0471

(73) Assignee: **ZOPOISE TECHNOLOGY (ZHUSHOU) CO., LTD.**, Zhuzhou (CN)

(**) Term: **15 Years**

* cited by examiner

(21) Appl. No.: **29/670,904**

Primary Examiner — Kevin K Rudzinski

(22) Filed: **Nov. 20, 2018**

Assistant Examiner — Richard Kearney

(30) **Foreign Application Priority Data**

(74) *Attorney, Agent, or Firm* — Maschoff Brennan

Sep. 14, 2018 (CN) 201830519191.1

(51) **LOC (13) Cl.** **26-05**

(57) **CLAIM**

We claim the ornamental design for a high shed lamp, as shown and described.

(52) **U.S. Cl.**
USPC **D26/72**

DESCRIPTION

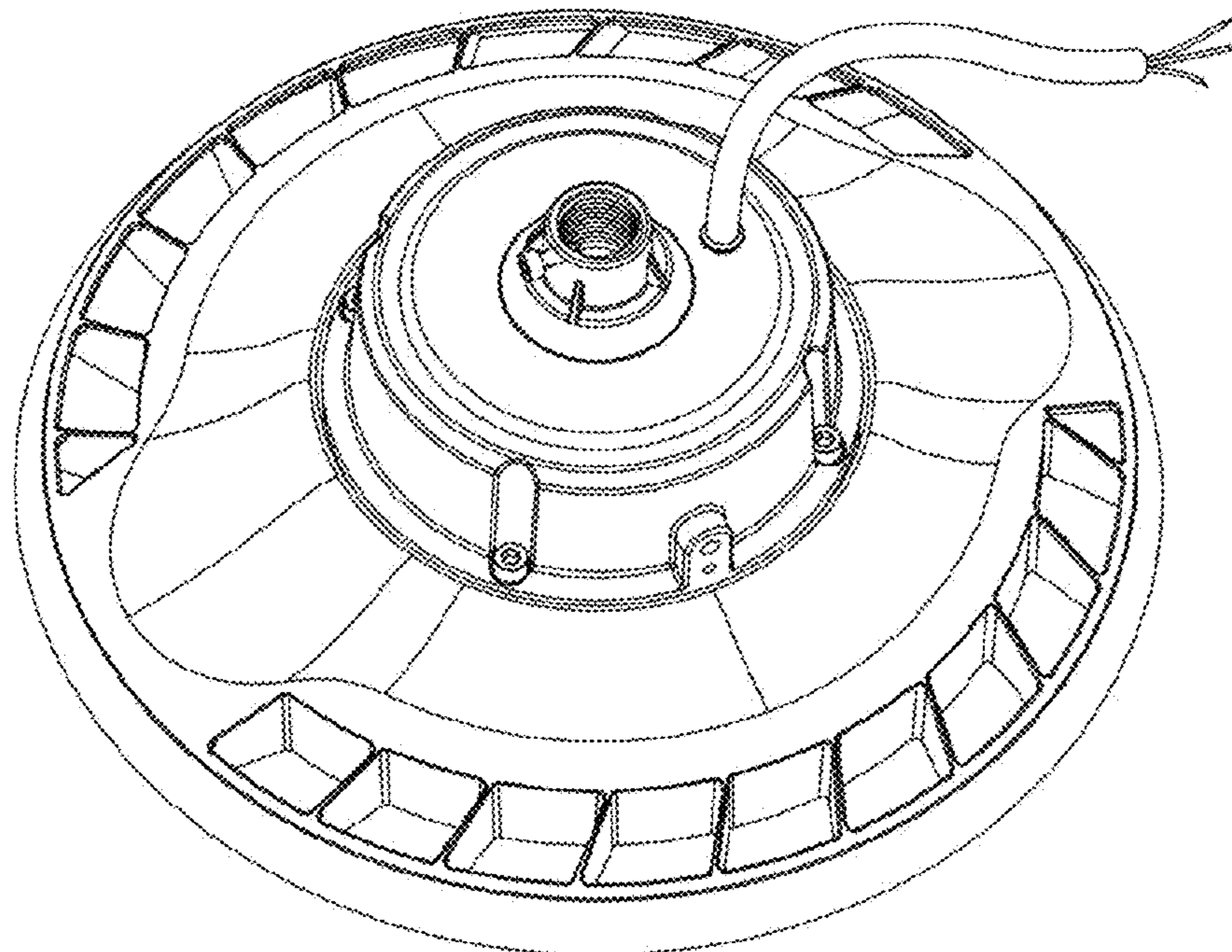
(58) **Field of Classification Search**
USPC D26/24, 63, 72, 74, 75–78, 80–92, 118, D26/120, 122, 142, 149; D13/134; D10/111–115
CPC F21V 23/003; F21V 23/023; F21V 29/71; F21V 29/713; F21V 29/717; F21V 29/73; F21V 29/74; F21V 29/745; F21V 29/75; F21V 29/76; F21V 5/00; F21V 1/02; F21Y 2115/10

FIG. 1 is a perspective view of a high shed lamp showing our new design;
FIG. 2 is the front elevational view thereof;
FIG. 3 is the rear elevational view thereof;
FIG. 4 is the left-side, elevational view thereof;
FIG. 5 is the right-side, elevational view thereof;
FIG. 6 is the top plan view thereof; and,
FIG. 7 is the bottom plan view thereof.

The broken lines in the drawings are shown for illustrative purposes only and form no part of the claimed design.

See application file for complete search history.

1 Claim, 4 Drawing Sheets



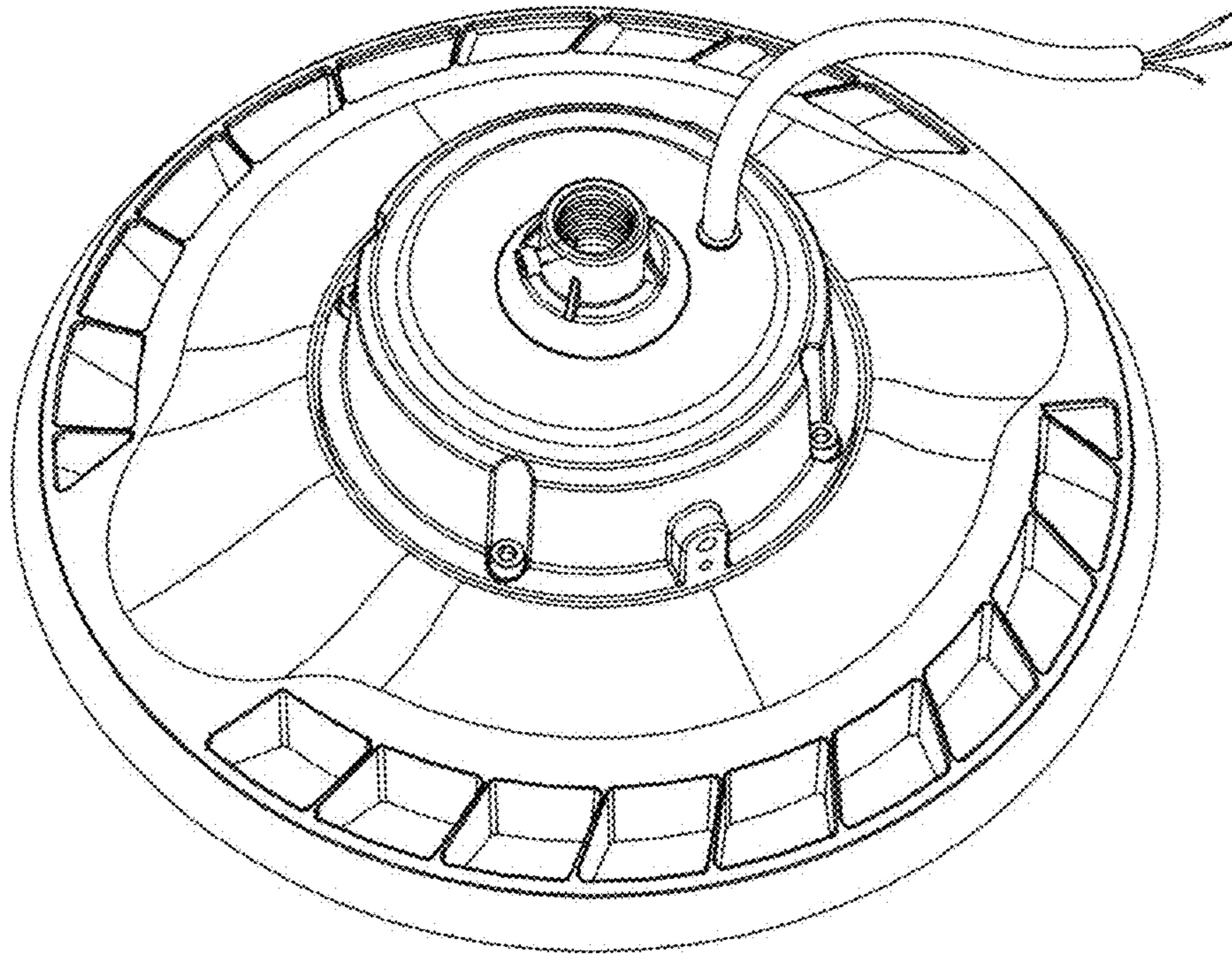


FIG.1

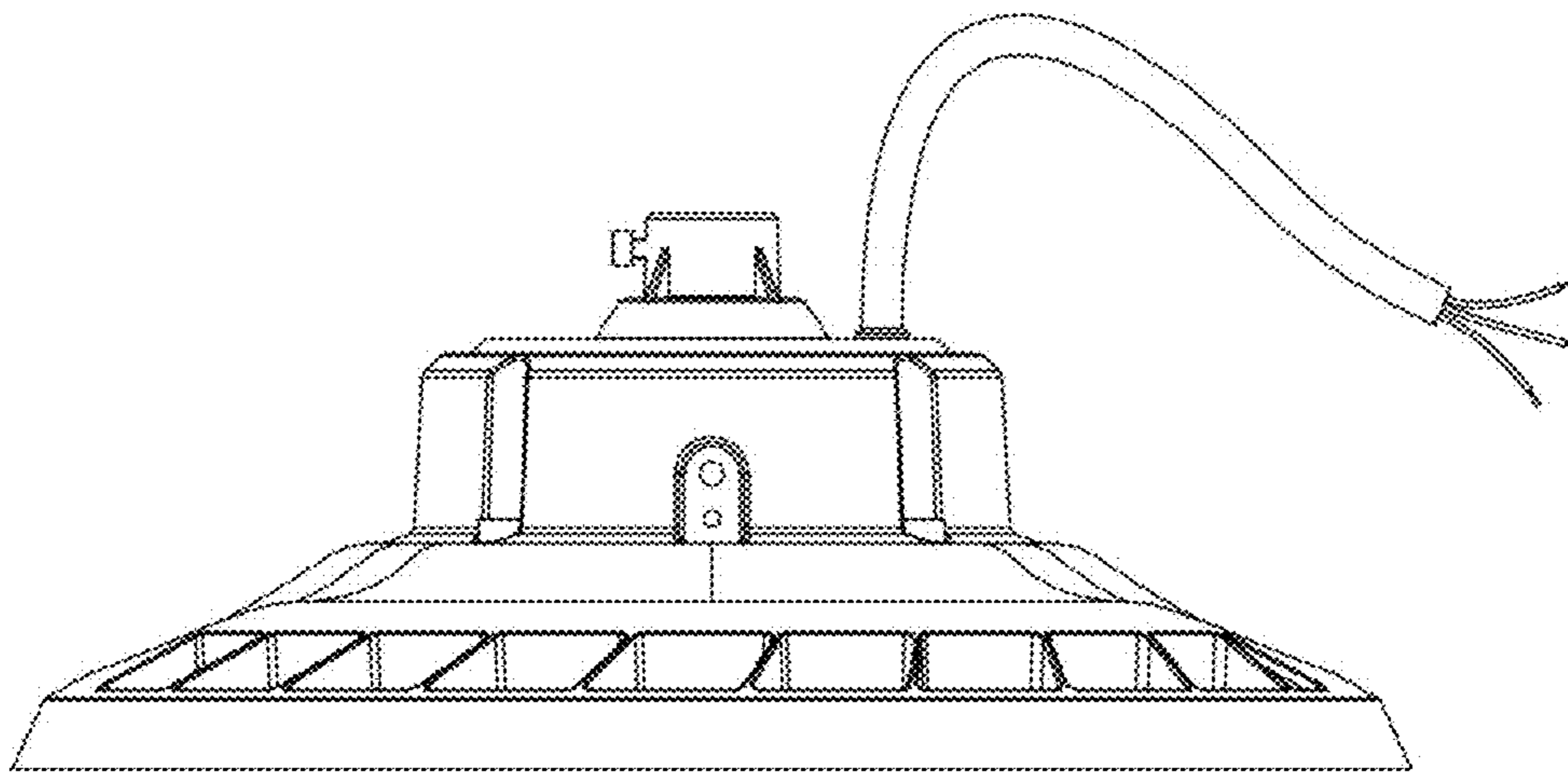


FIG.2

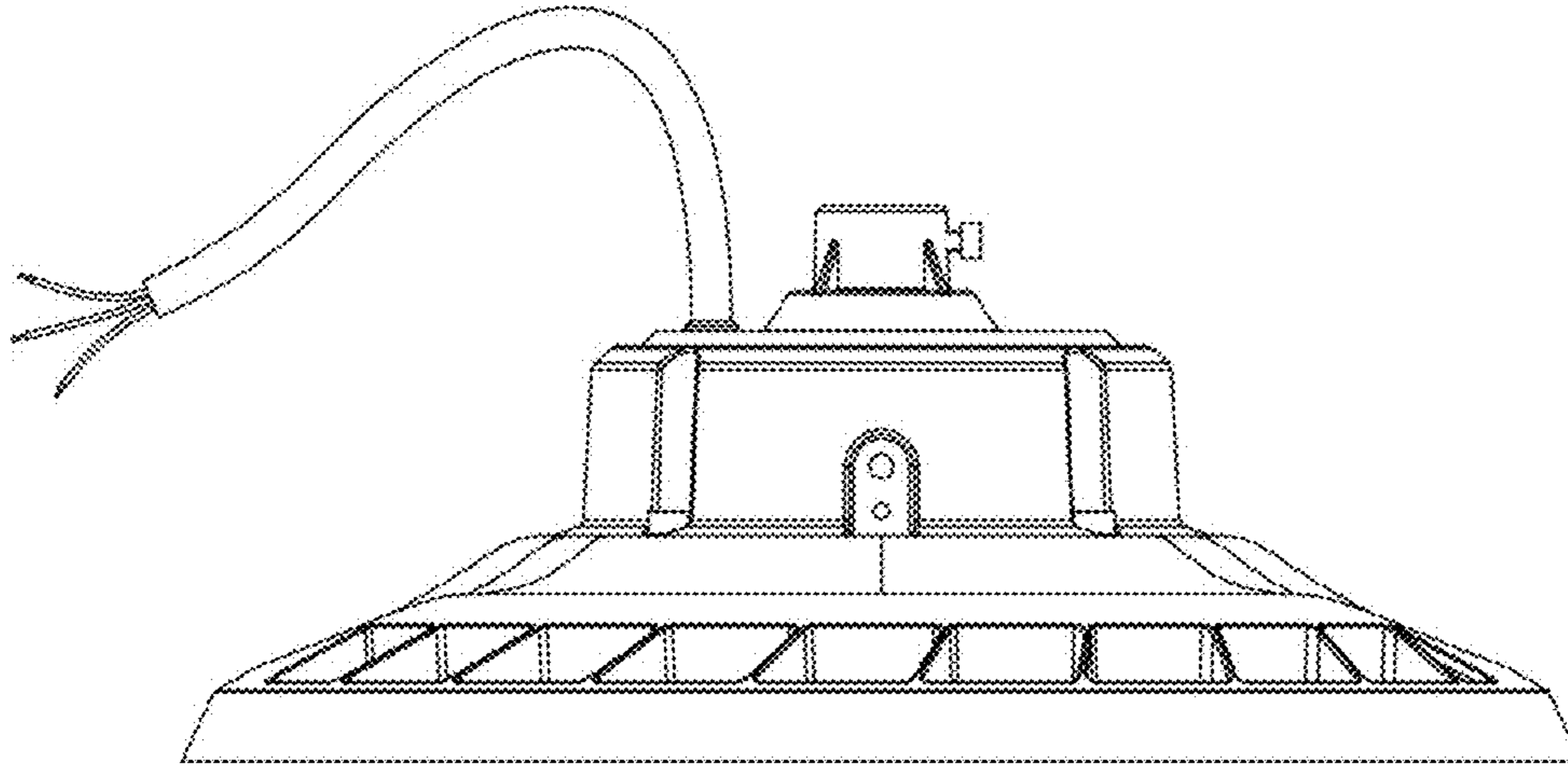


FIG.3

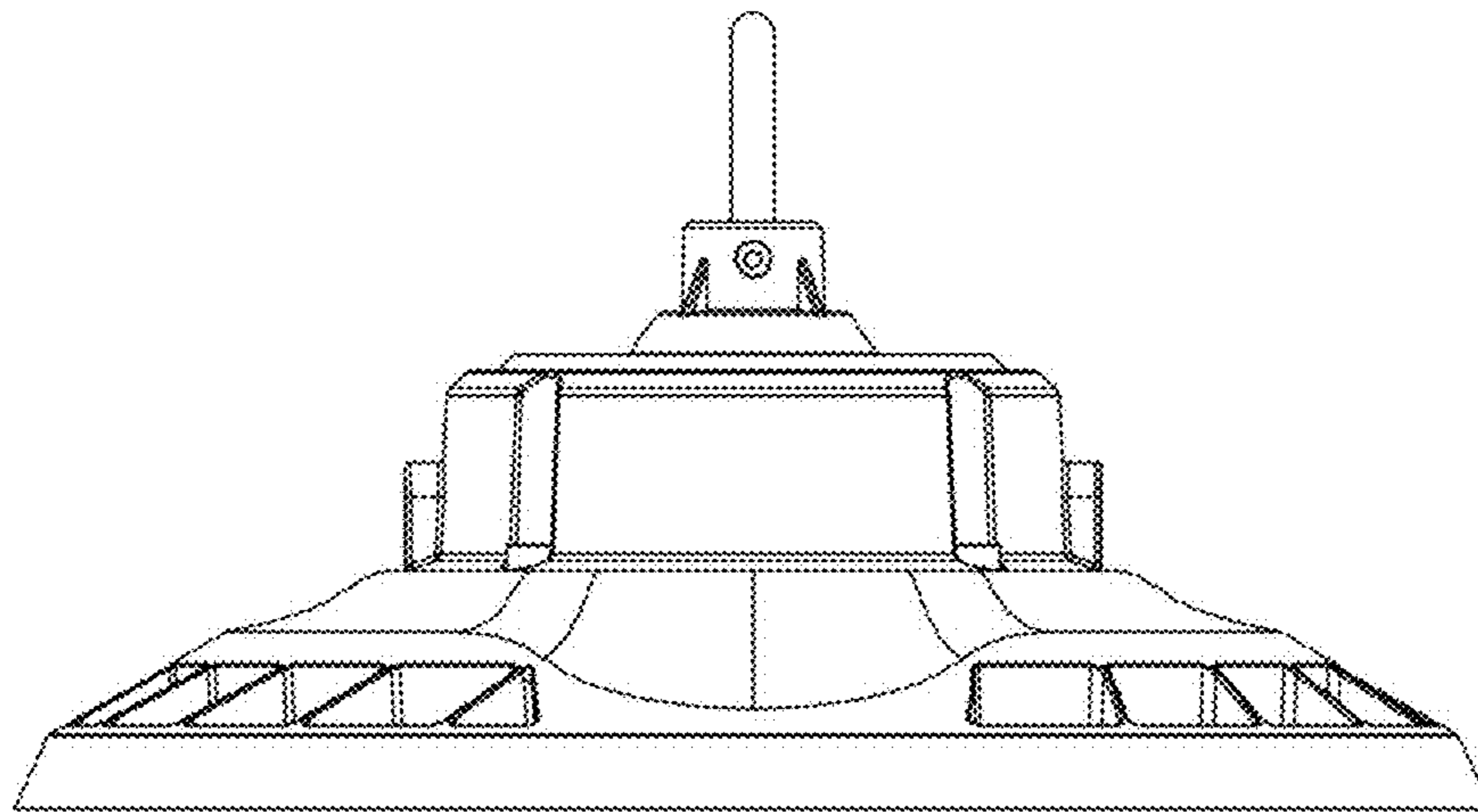


FIG.4

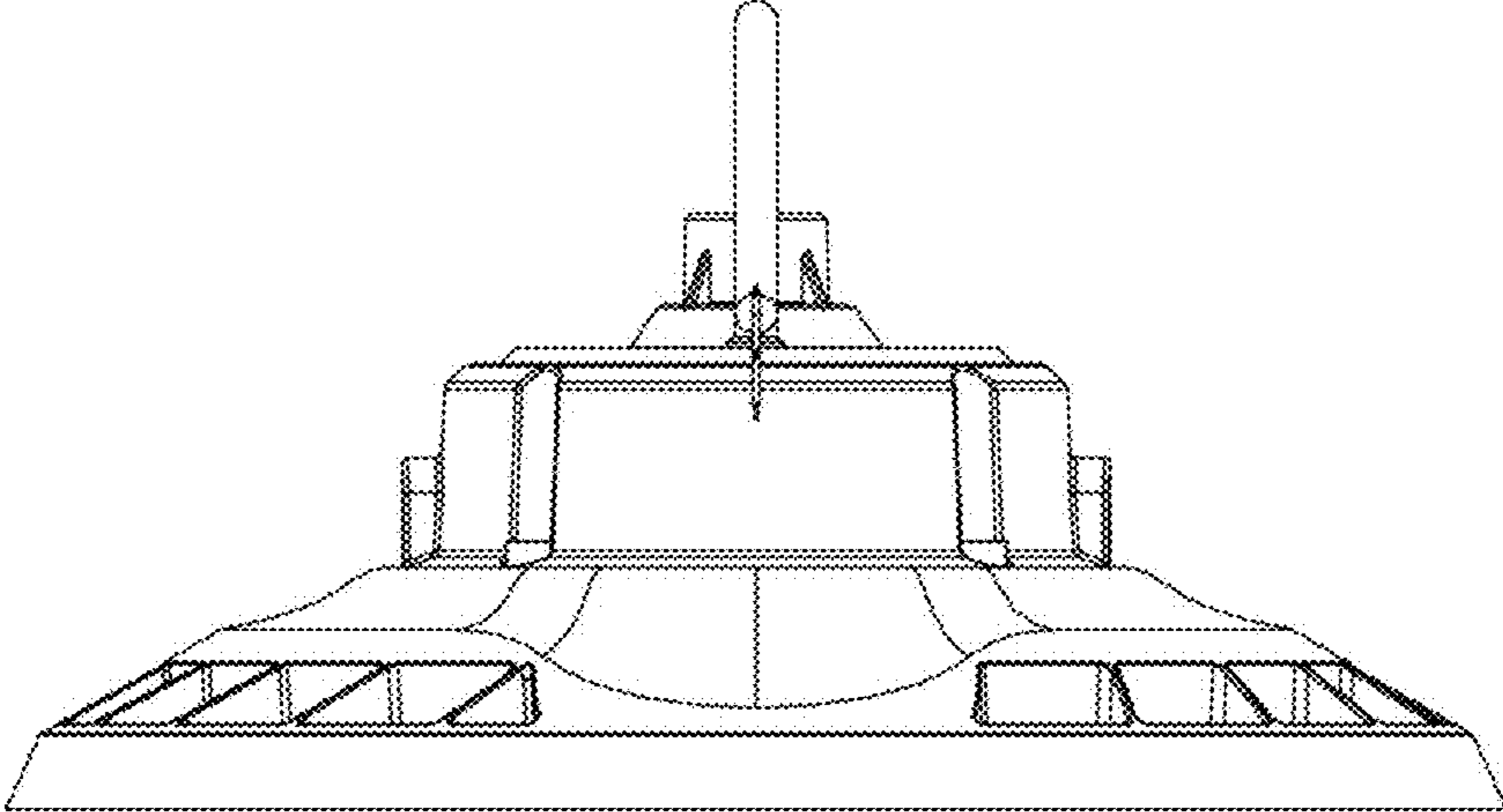


FIG. 5

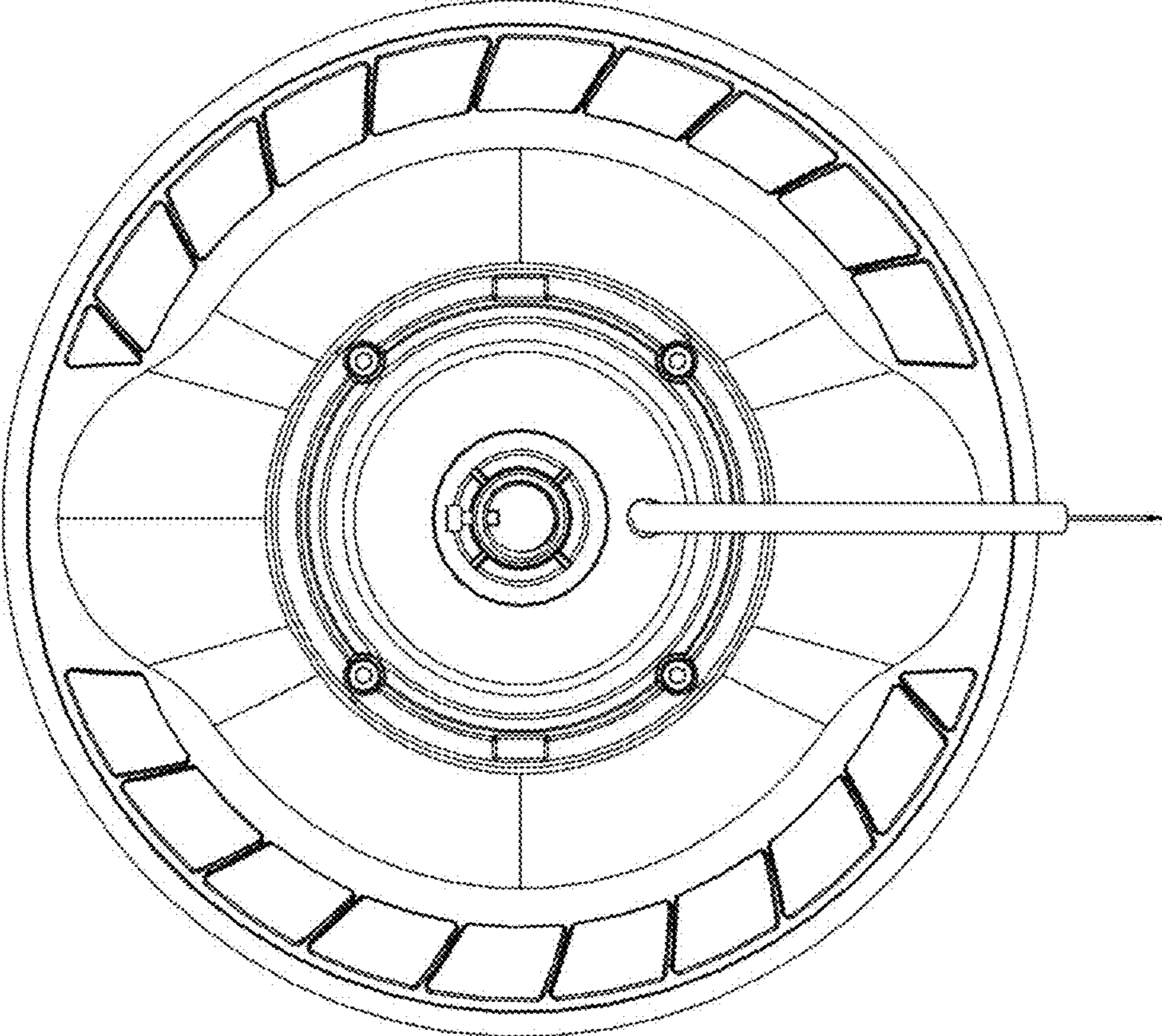


FIG. 6

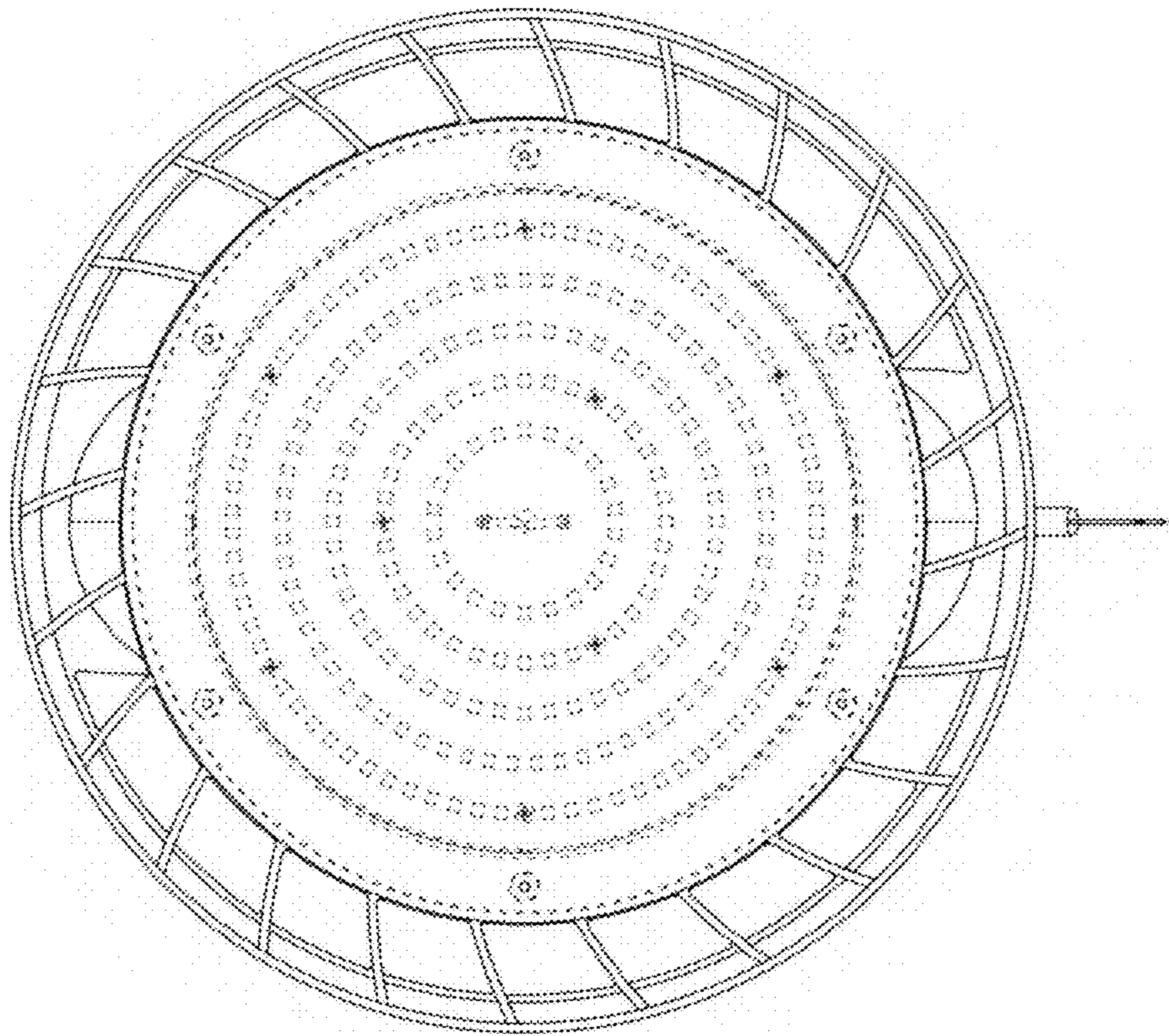


FIG. 7