

US00D917757S

(12) **United States Design Patent** (10) **Patent No.:** **US D917,757 S**
Loew et al. (45) **Date of Patent:** **** Apr. 27, 2021**

(54) **PATH LIGHT**
(71) Applicant: **Amazon Technologies, Inc.**, Seattle, WA (US)
(72) Inventors: **Christopher Loew**, Palo Alto, CA (US); **Maya Winfield**, Cleveland, OH (US); **Alexsandra M. Bowers**, Mayfield, OH (US); **Ryan David Hruska**, North Royalton, OH (US); **Mark Siminoff**, Mountain View, CA (US); **David Brett Levine**, Pepper Pike, OH (US); **James Siminoff**, Pacific Palisades, CA (US)

6,402,337 B1 * 6/2002 LeVasseur F21S 8/083 362/153.1
RE40,934 E * 10/2009 Ruud F21S 8/083 362/153.1
8,684,571 B1 * 4/2014 Alaura F21V 29/77 362/431
D828,603 S * 9/2018 Recker D26/68
D865,254 S * 10/2019 Recker D26/68
D868,331 S * 11/2019 Li D26/67
2007/0211454 A1 * 9/2007 Shaner F21S 8/083 362/153
2008/0285265 A1 * 11/2008 Boissevain F21S 8/088 362/218

(Continued)

(73) Assignee: **Amazon Technologies, Inc.**, Seattle, WA (US)

Ring Solar Path light available at amazon.com as early as Jun. 18, 2020. (Year: 2020).*

(**) Term: **15 Years**

(Continued)

(21) Appl. No.: **29/705,143**

Primary Examiner — Clare E Heflin

(22) Filed: **Sep. 10, 2019**

(74) *Attorney, Agent, or Firm* — Lee & Hayes, P.C.

(51) **LOC (13) Cl.** **26-05**

(52) **U.S. Cl.**
USPC **D26/68**

(58) **Field of Classification Search**
USPC D26/67-70, 72, 73, 85, 87, 92, 71
CPC F21S 8/03; F21S 8/033; F21S 8/036; F21S 8/081; F21S 8/083; F21S 8/086; F21S 9/037; F21W 2111/102; F21W 2111/023; F21W 2131/109

See application file for complete search history.

(56) **References Cited**

U.S. PATENT DOCUMENTS

4,438,484 A * 3/1984 Winden F21S 8/083 362/145
5,535,108 A * 7/1996 Logsdon F21S 9/02 362/183

OTHER PUBLICATIONS

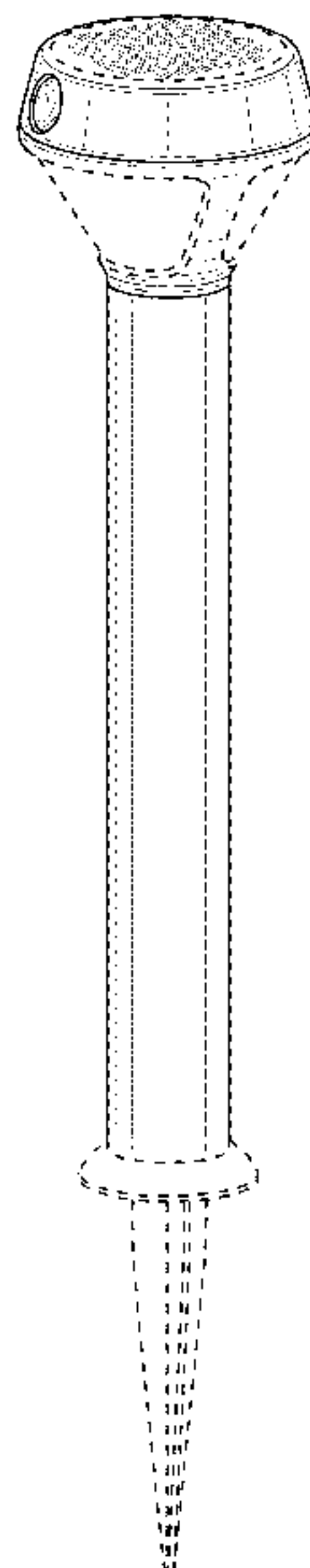
(57) **CLAIM**

The ornamental design for a path light, as shown and described.

DESCRIPTION

FIG. 1 is a front, right-side, top perspective view of a path light;
FIG. 2 is a back, left-side, bottom perspective view thereof;
FIG. 3 is a front elevation view thereof;
FIG. 4 is a back elevation view thereof;
FIG. 5 is a left-side elevation view thereof;
FIG. 6 is a right-side elevation view thereof;
FIG. 7 is a top plan view thereof; and,
FIG. 8 is a bottom plan view thereof.
The dashed broken lines depict portions of the path light that form no part of the claimed design.

1 Claim, 8 Drawing Sheets



(56)

References Cited

U.S. PATENT DOCUMENTS

2009/0059572 A1* 3/2009 Wang F21S 9/037
362/183
2015/0338040 A1* 11/2015 Swope F21V 5/008
362/183
2020/0305246 A1* 9/2020 Park F21S 8/086

OTHER PUBLICATIONS

Chinese Office Action dated Jul. 3, 2020 for Chinese Design Application No. 202030075327.1 a counterpart foreign application of the Design U.S. Appl. No. 29/705,143, 1 page.

* cited by examiner

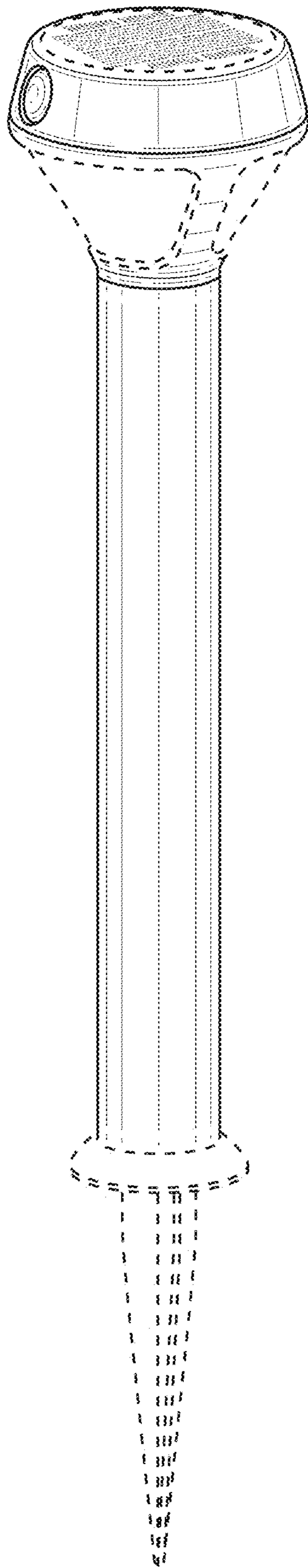


FIG. 1

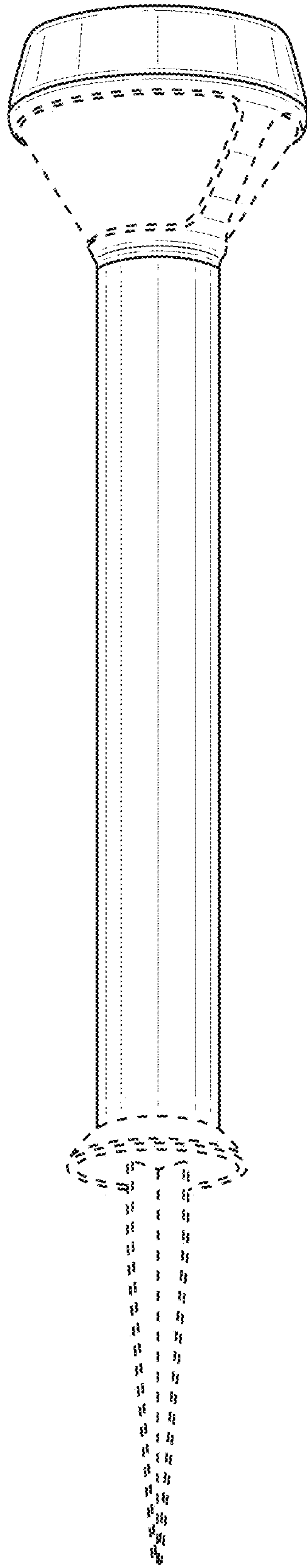


FIG. 2

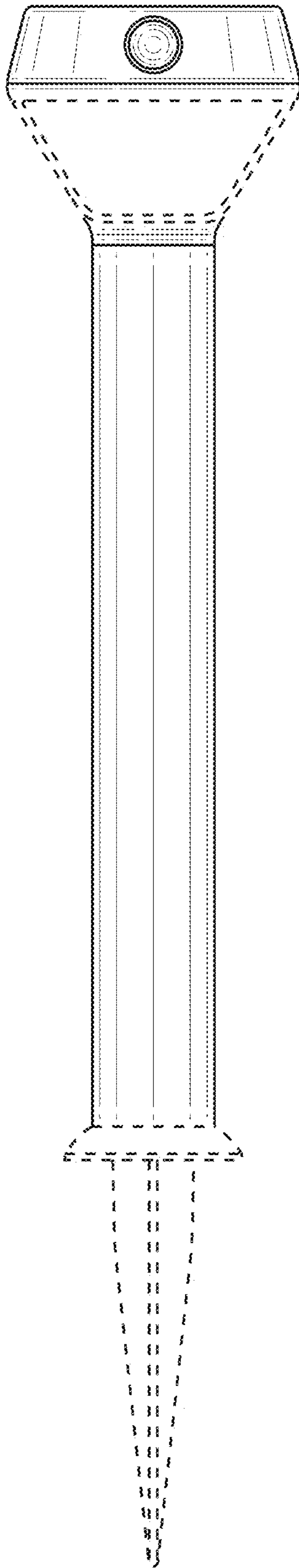


FIG. 3

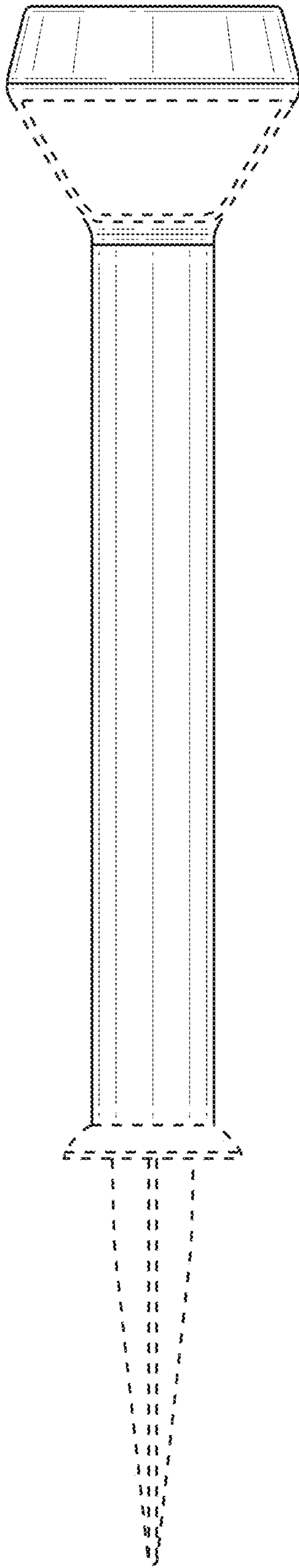


FIG. 4

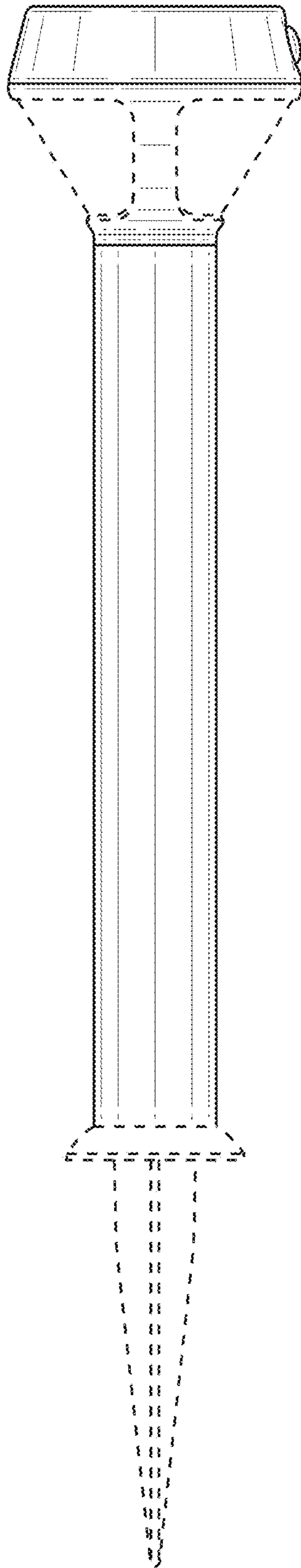


FIG. 5

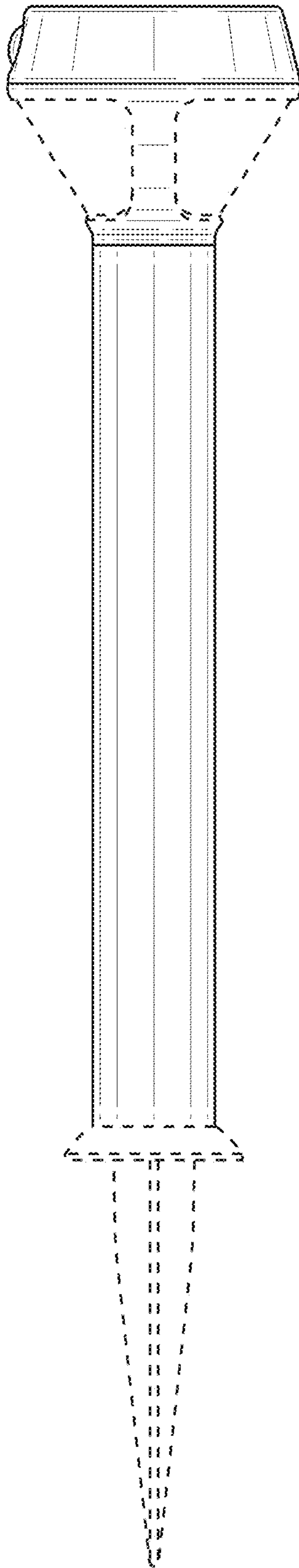


FIG. 6

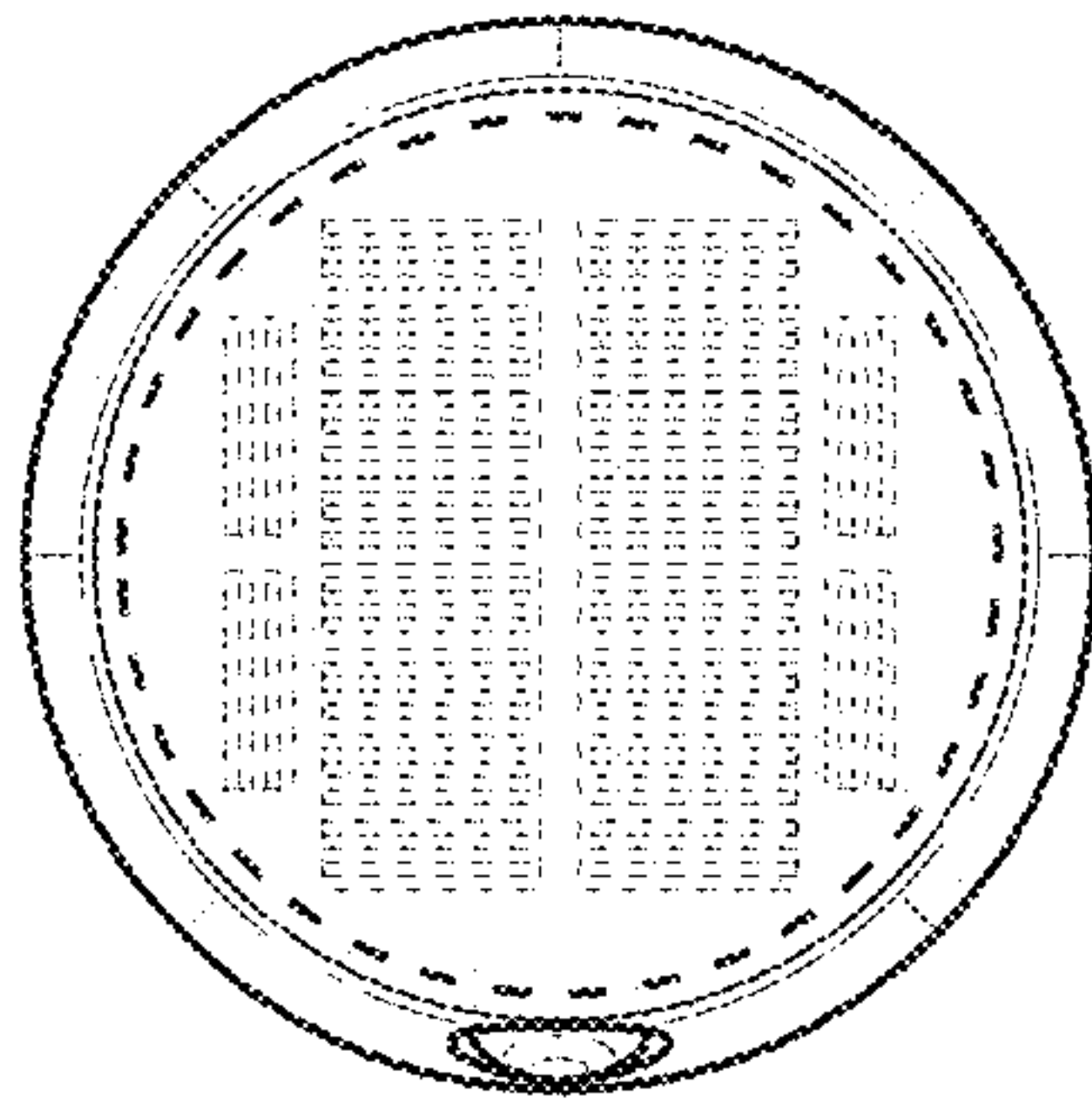


FIG. 7

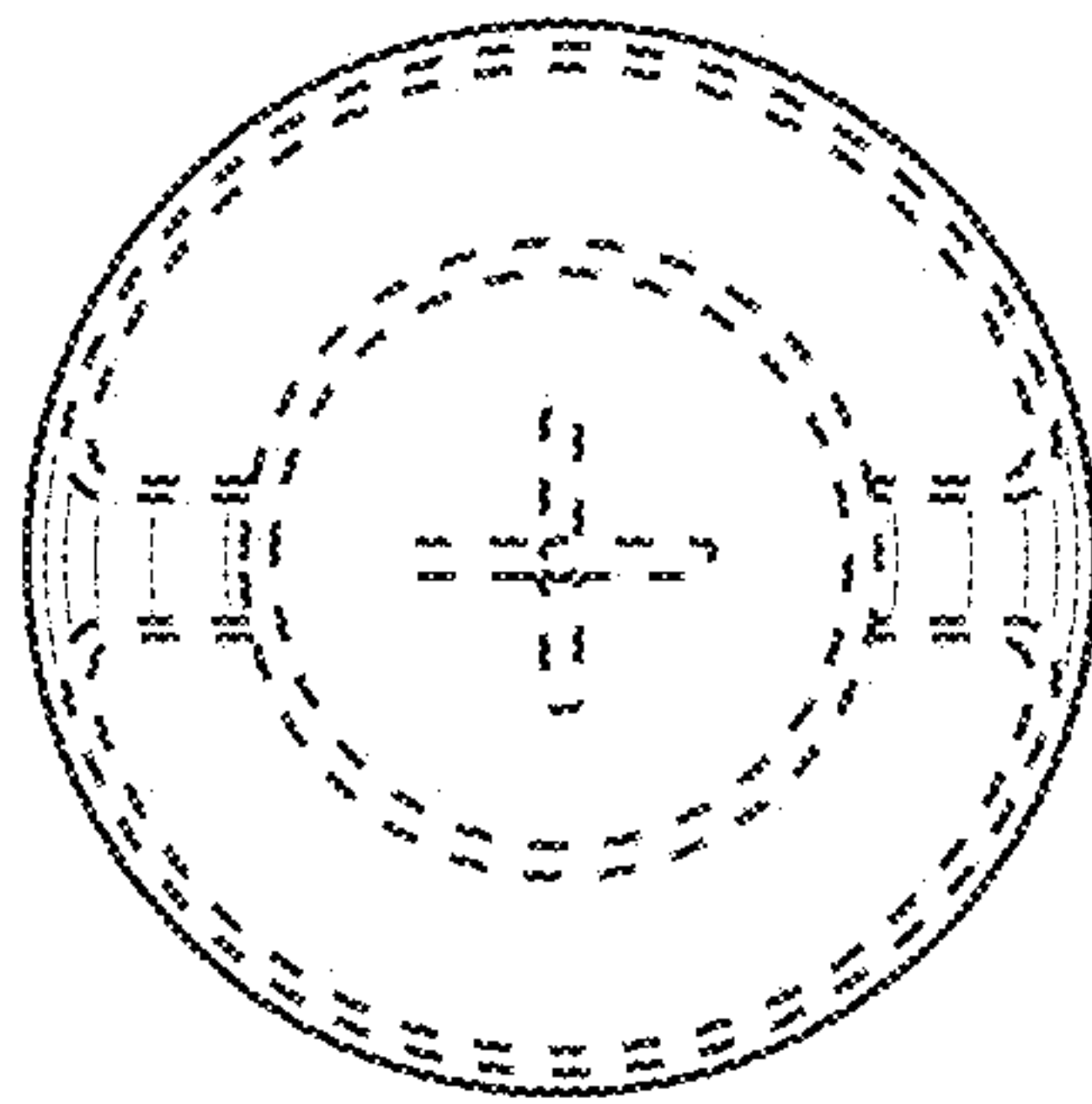


FIG. 8