



US00D917756S

(12) **United States Design Patent** (10) **Patent No.:** **US D917,756 S**
Gao (45) **Date of Patent:** **** Apr. 27, 2021**

(54) **OUTDOOR LIGHT**

(71) Applicant: **Jinlan Gao**, Xiamen (CN)

(72) Inventor: **Jinlan Gao**, Xiamen (CN)

(**) Term: **15 Years**

(21) Appl. No.: **29/675,467**

(22) Filed: **Jan. 2, 2019**

(51) **LOC (13) Cl.** **26-05**

(52) **U.S. Cl.**
USPC **D26/60; D26/63**

(58) **Field of Classification Search**
USPC D26/2-3, 26, 60-66, 72, 118, 120,
D26/122-124
CPC F21S 9/03; F21S 9/035; F21S 9/037; F21S
10/063; F21S 6/003; F21S 8/036; F21S
8/038; F21S 8/043; F21S 8/081; F21S
8/083; F21S 8/085; F21S 8/086; F21S
8/088; F21S 13/10

See application file for complete search history.

(56) **References Cited**

U.S. PATENT DOCUMENTS

D572,856 S *	7/2008	Kehl	D26/61
D641,903 S *	7/2011	Nam	D26/2
D645,182 S *	9/2011	Li	D26/60
D688,821 S *	8/2013	Fuersich	D26/2
D690,453 S *	9/2013	Guercio	D26/88
D695,427 S *	12/2013	Ke	D26/2
D735,372 S *	7/2015	Li	D26/2
D802,179 S *	11/2017	Zeng	D26/2
D806,932 S *	1/2018	Hui	D26/102
D811,642 S *	2/2018	Liang	D26/72
D839,469 S *	1/2019	Deng	D26/88
D856,562 S *	8/2019	Shi	D26/63
D868,335 S *	11/2019	Li	D26/72
D868,336 S *	11/2019	Li	D26/72
D875,292 S *	2/2020	Zhou	D26/72

D883,550 S *	5/2020	Deng	D26/63
D887,077 S *	6/2020	Wright	D26/124
D889,015 S *	6/2020	Li	D26/63
D890,404 S *	7/2020	Lin	D26/89
2009/0086491 A1 *	4/2009	Ruud	F21V 29/70 362/294
2016/0223176 A1 *	8/2016	Chang	F21V 23/06
2016/0363300 A1 *	12/2016	Ma	F21S 8/043

OTHER PUBLICATIONS

www.build.com: Sonneman Pi 1 Light LED Pendant. Undated online product page. Retrieved on Aug. 6, 2020 from <https://www.build.com/sonneman-2742/s1107387?uid=2655475> (Year: 2020).*

* cited by examiner

Primary Examiner — Sheryl Lane

Assistant Examiner — Stacey L Hopkins

(74) *Attorney, Agent, or Firm* — Muncy, Geissler, Olds & Lowe, P.C.

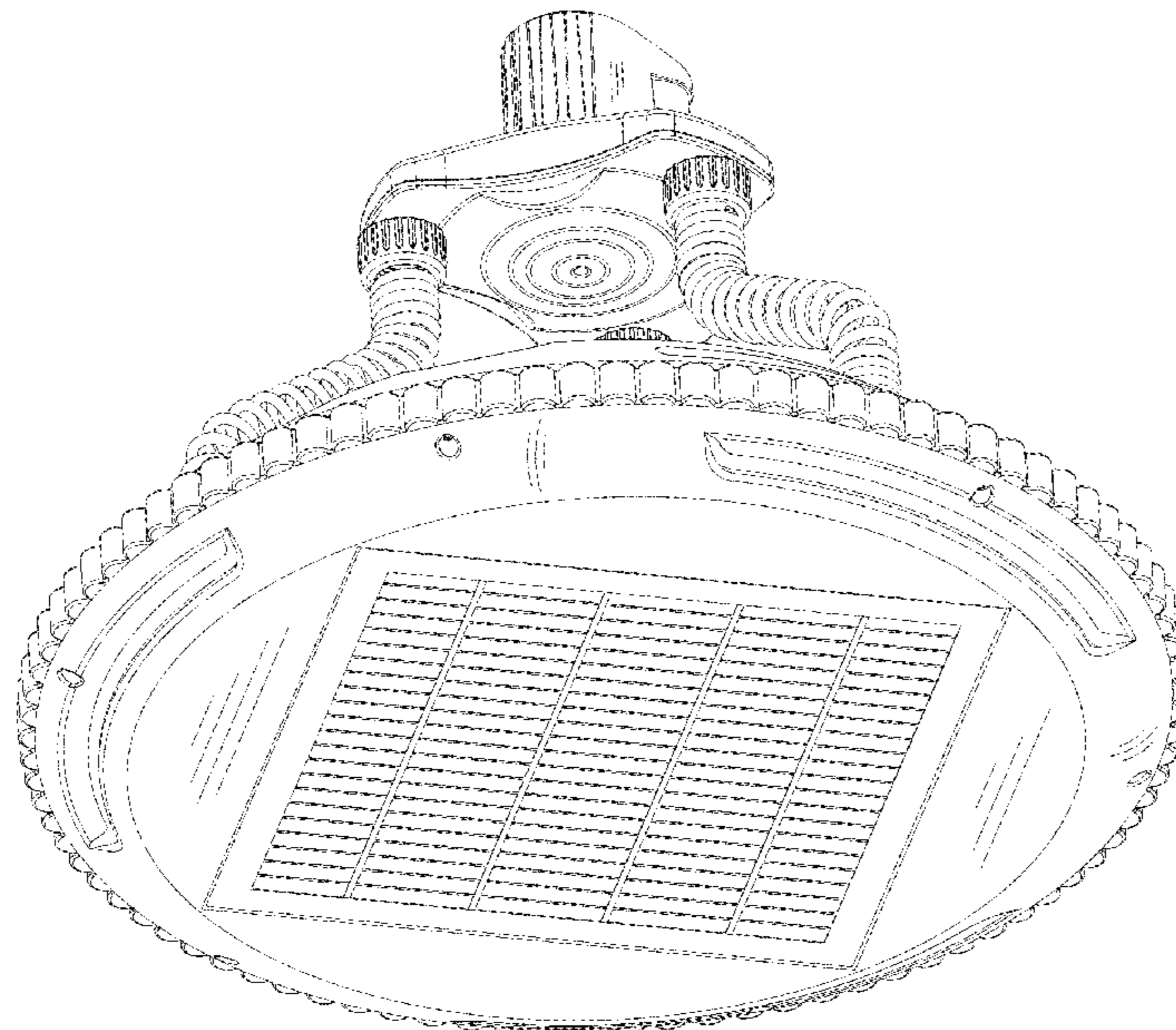
(57) **CLAIM**

The ornamental design for an outdoor light, as shown and described.

DESCRIPTION

FIG. 1 is a front, bottom, right perspective view of an outdoor light showing the new design; FIG. 2 is a front, top, right perspective view thereof; FIG. 3 is a front elevational view thereof; FIG. 4 is a rear elevational view thereof; FIG. 5 is a left-side elevational view thereof; FIG. 6 is a right-side elevational view thereof; FIG. 7 is a top plan view thereof; and, FIG. 8 is a bottom plan view thereof. The broken lines illustrate portions of the portions of the outdoor light which form no part of the claimed design.

1 Claim, 8 Drawing Sheets



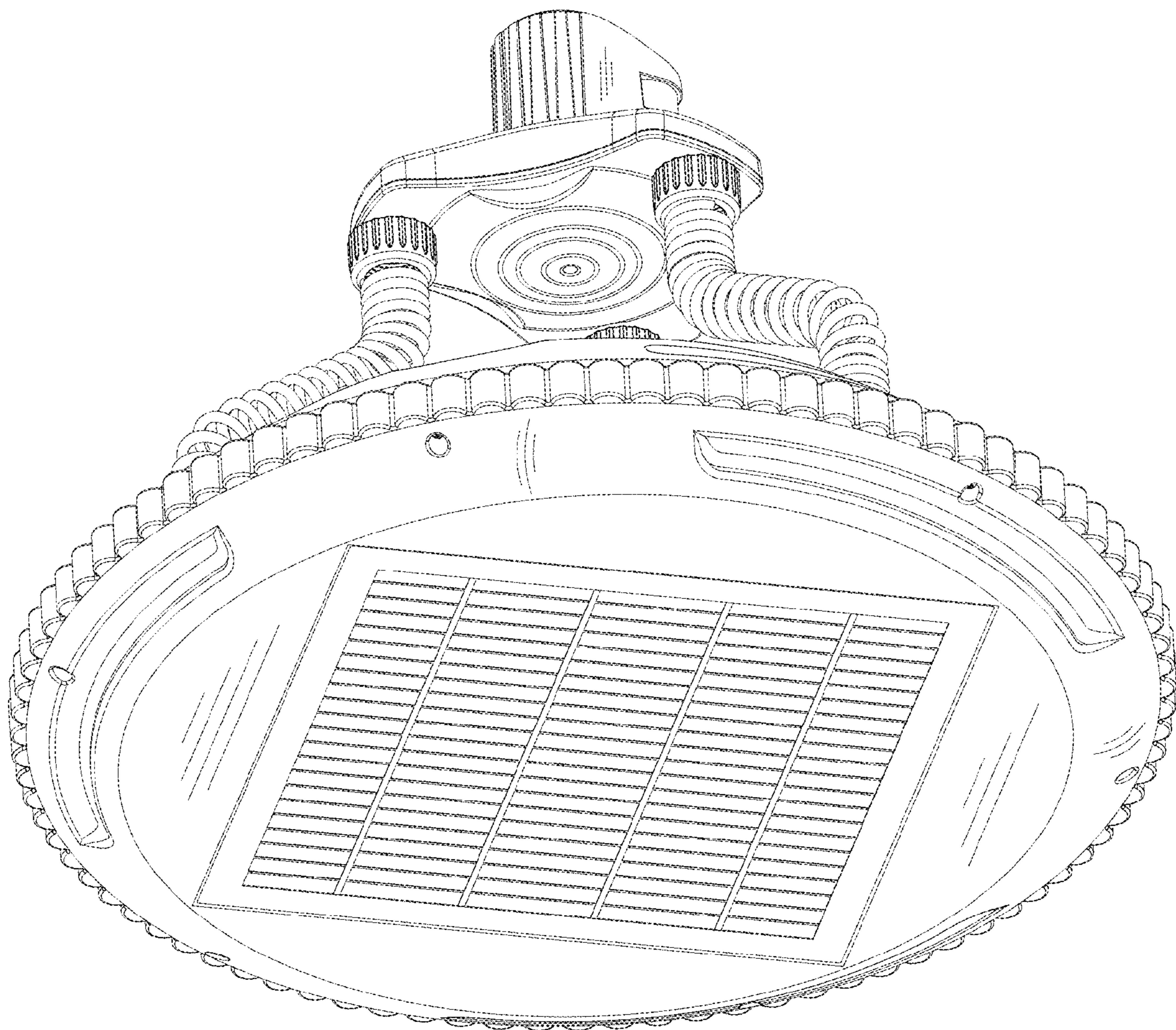


FIG. 1

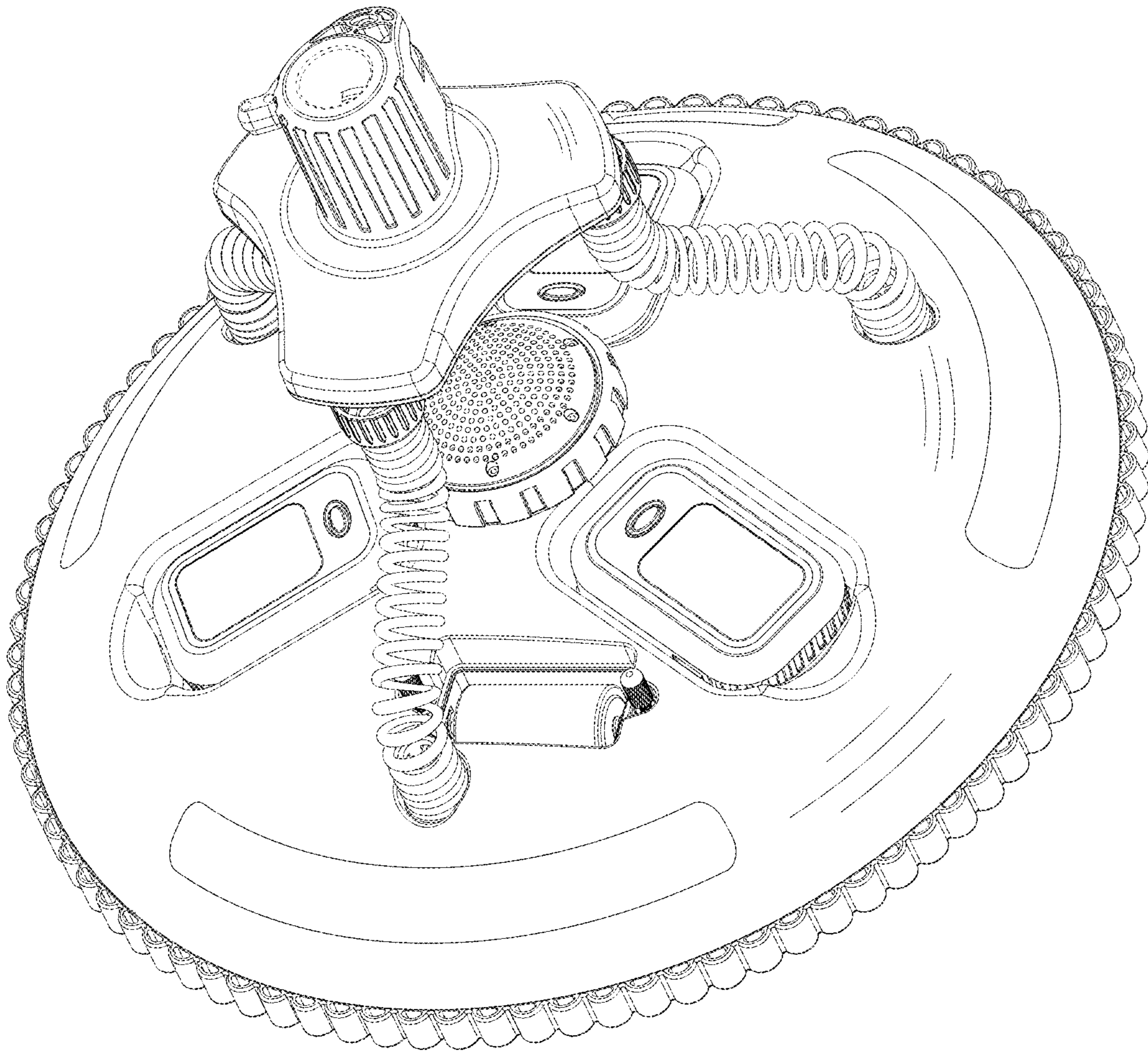


FIG. 2

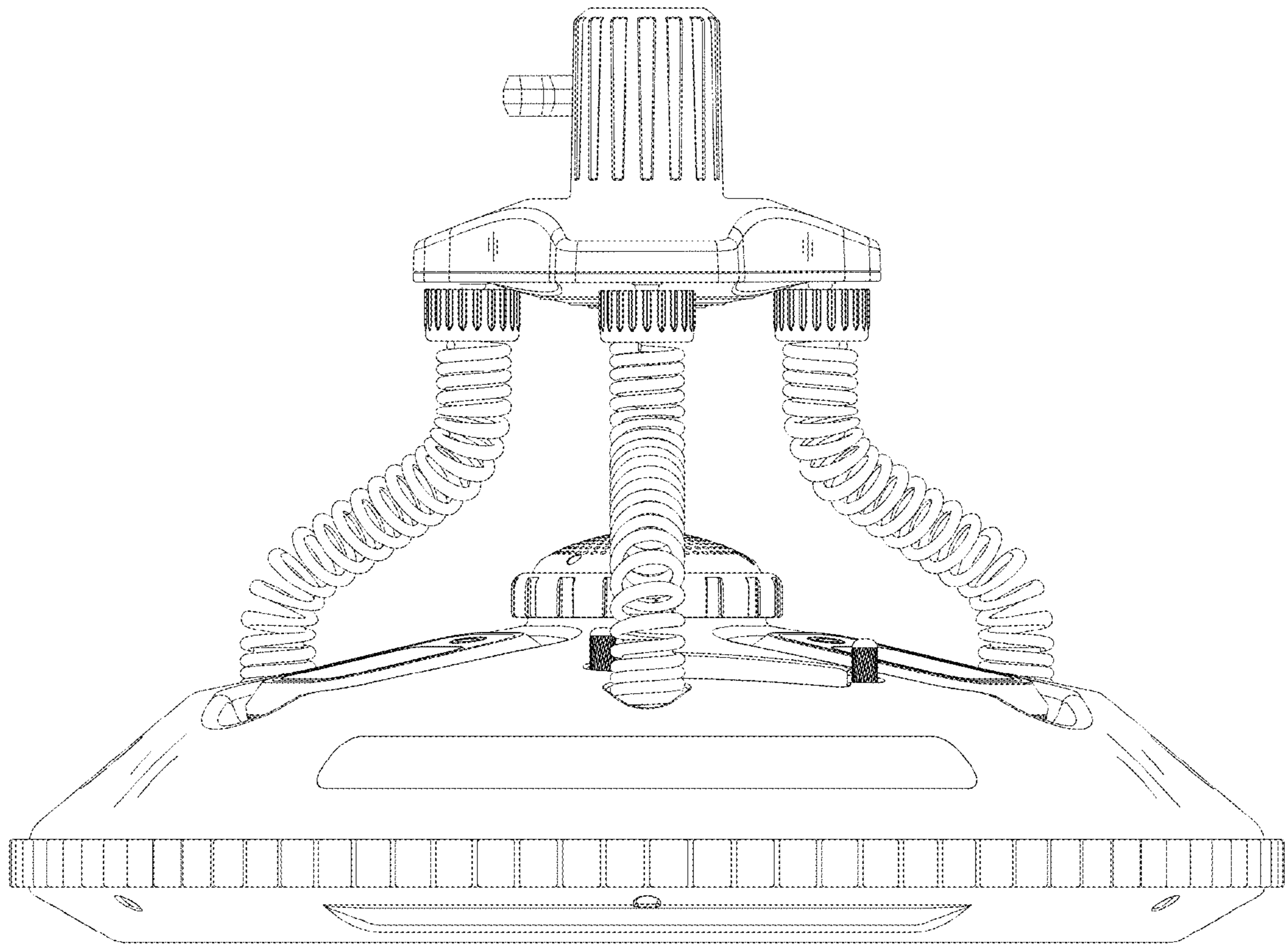


FIG. 3

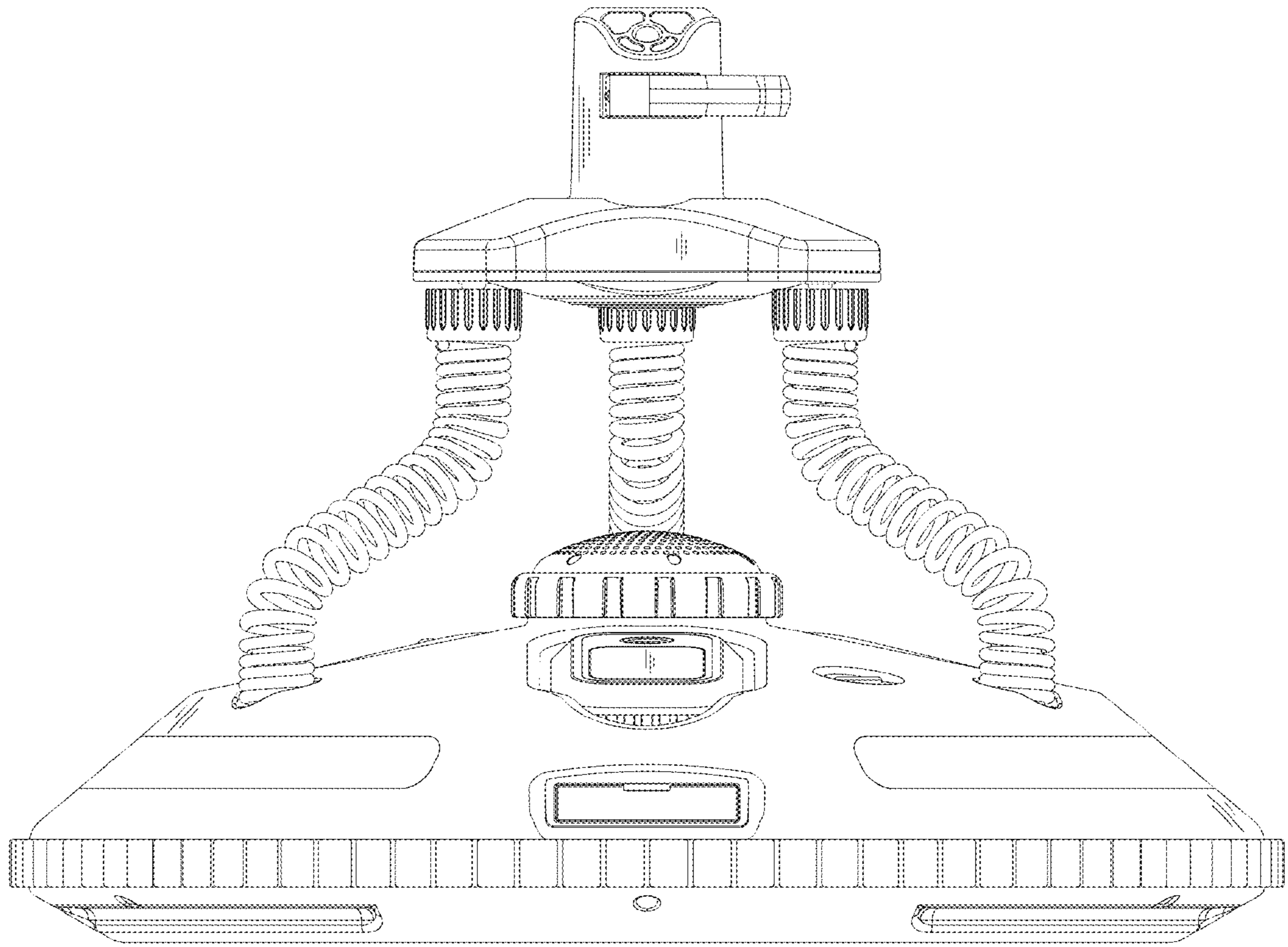


FIG. 4

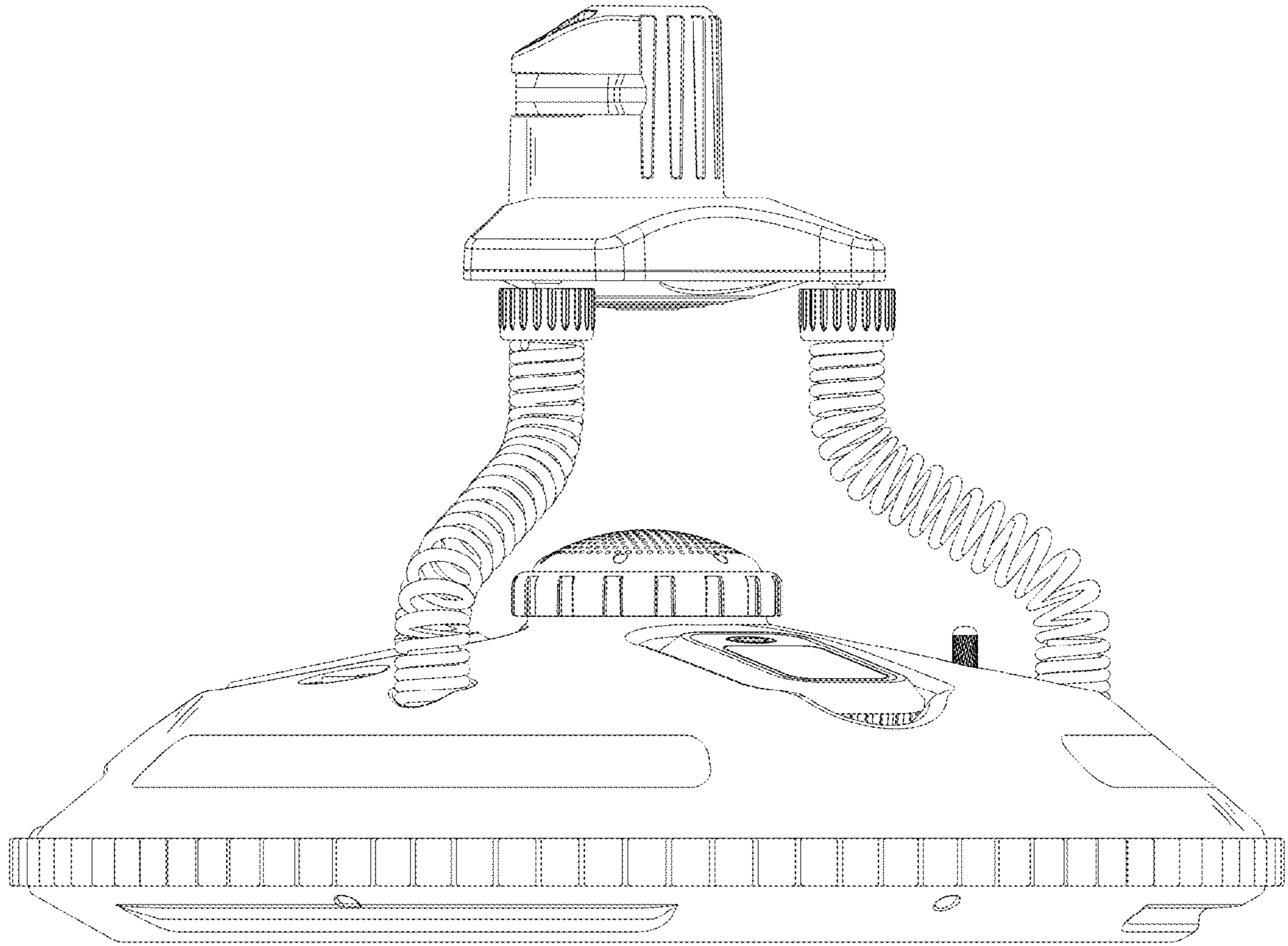


FIG. 5

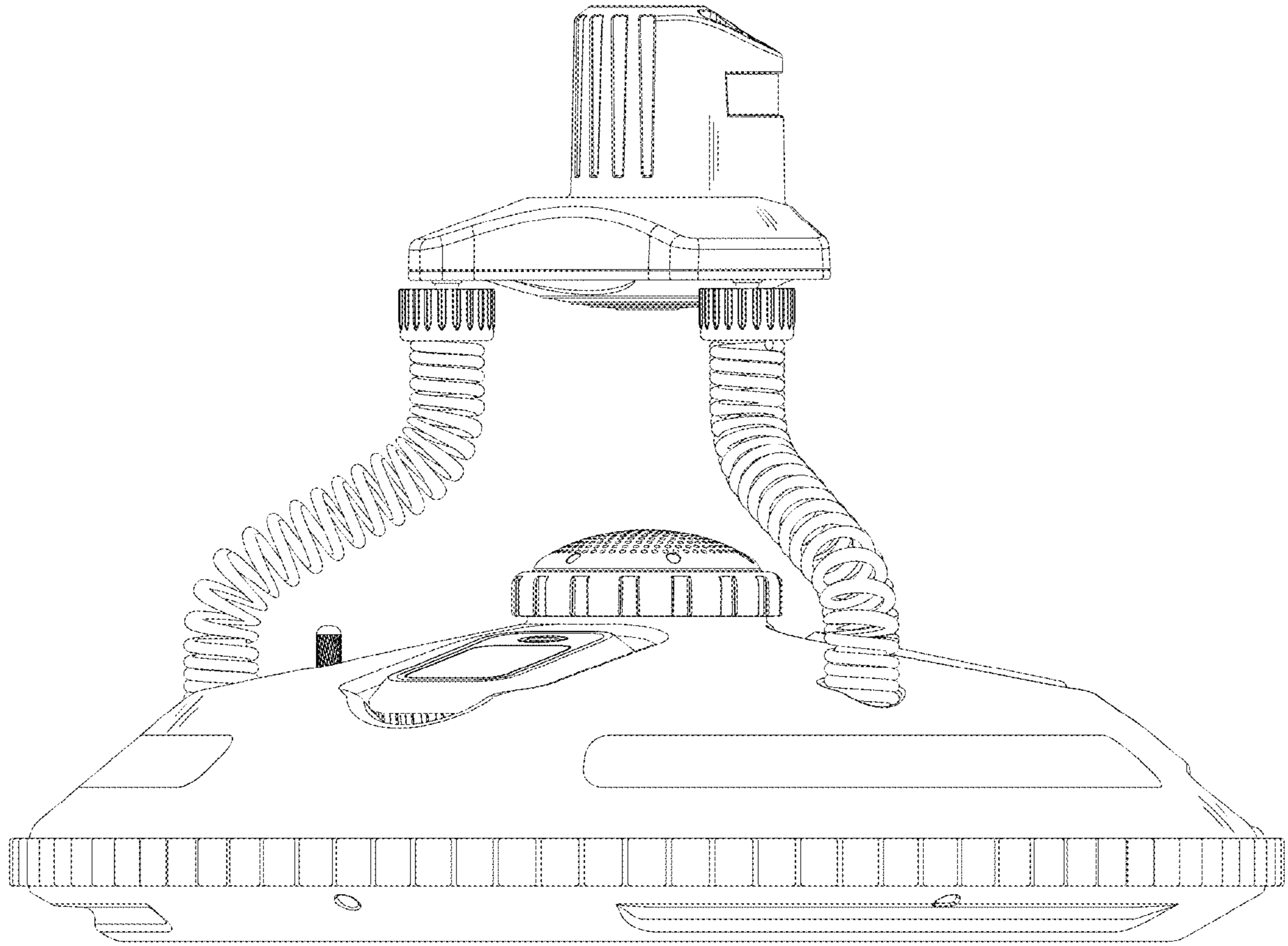


FIG. 6

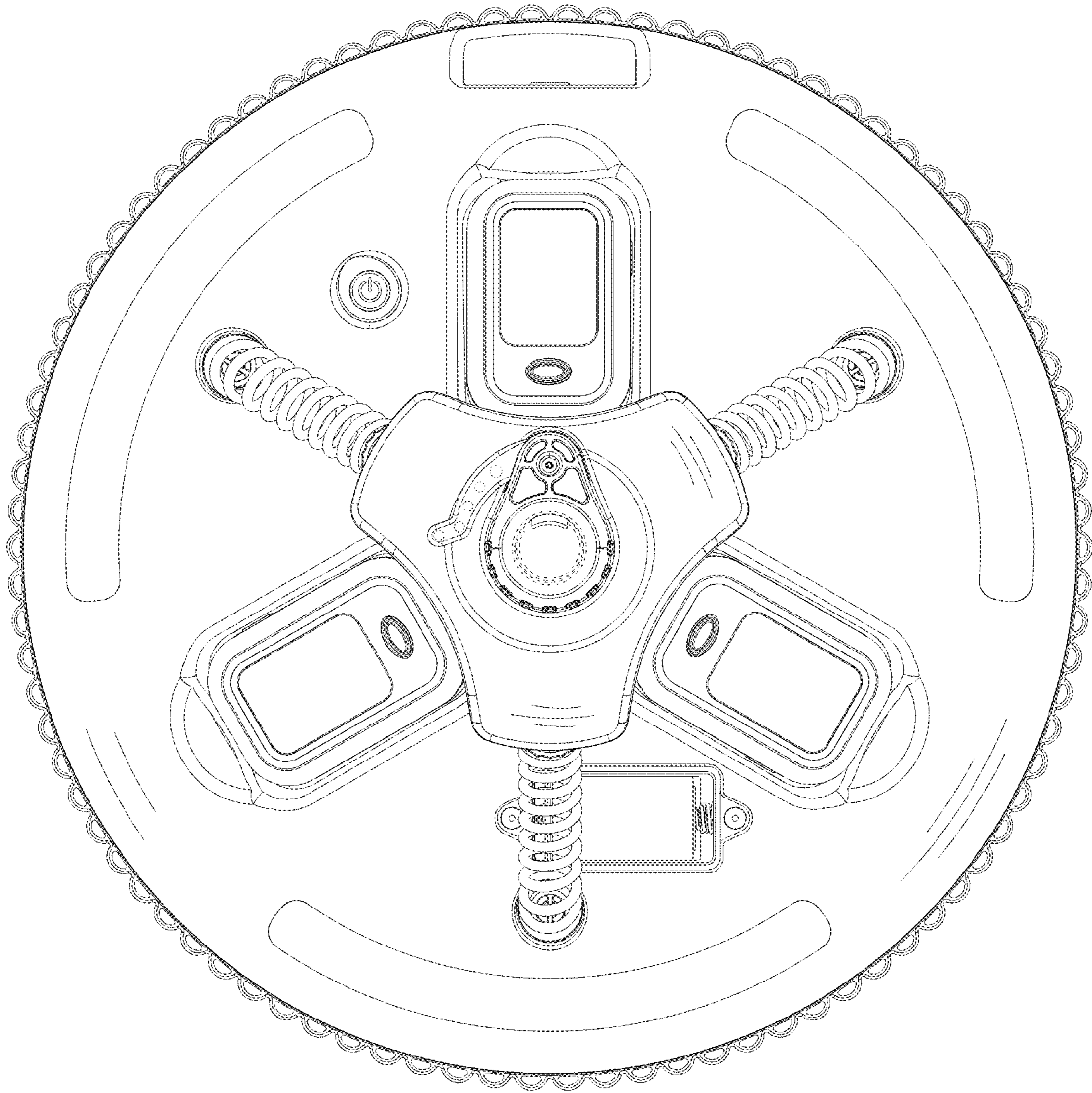


FIG. 7

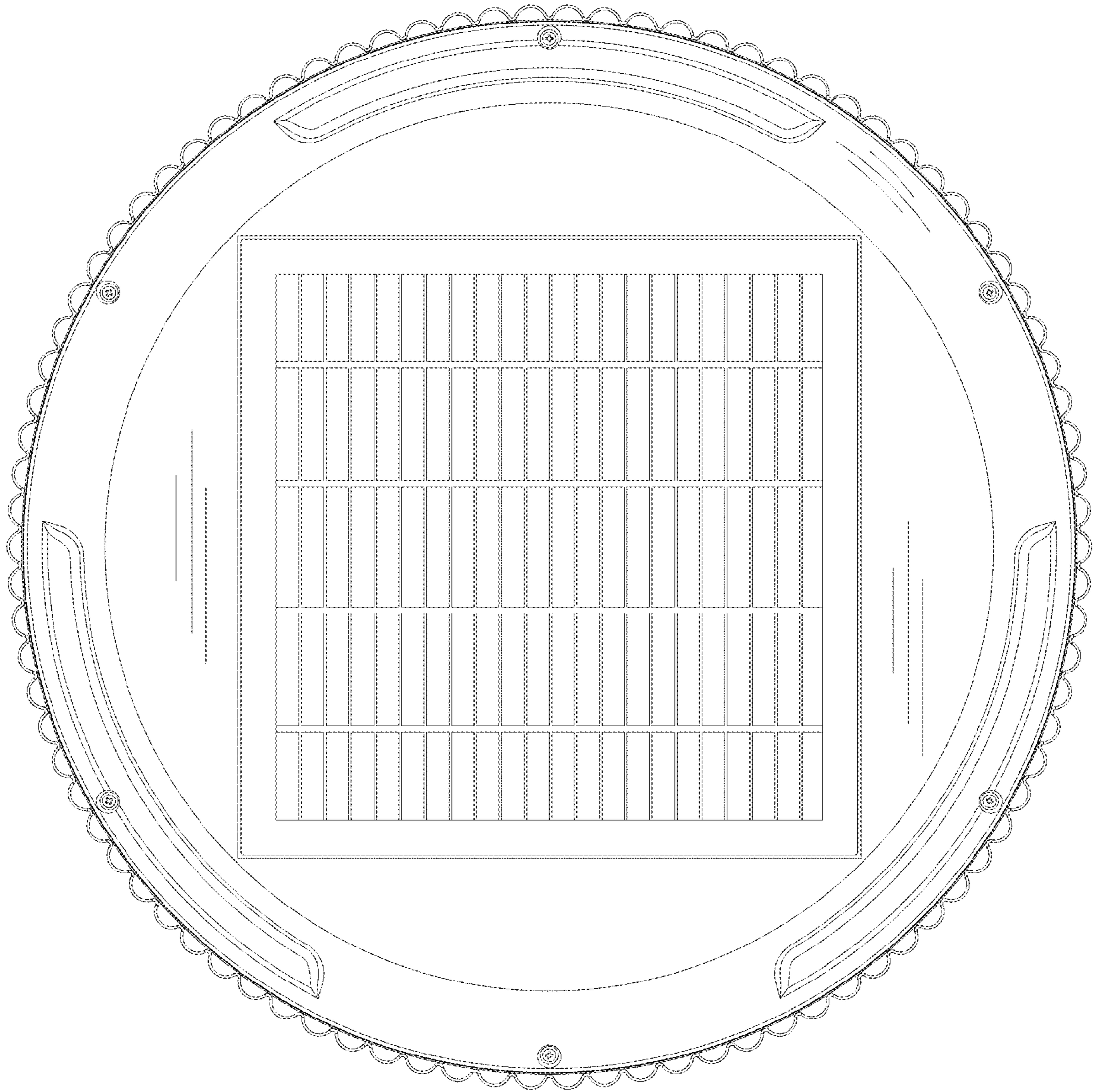


FIG. 8