



US00D917755S

(12) **United States Design Patent** (10) **Patent No.:** **US D917,755 S**
Falso (45) **Date of Patent:** **** Apr. 27, 2021**

(54) **ILLUMINATED TRAY**
(71) Applicant: **Illadelph Glass Inc.**, Philadelphia, PA (US)
(72) Inventor: **Luca Falso**, Philadelphia, PA (US)
(73) Assignee: **Illadelph Glass Inc.**, Philadelphia, PA (US)

5,099,581 A * 3/1992 Svehaug B43L 13/005
33/1 AA
D332,685 S * 1/1993 Edwards D7/553.3
D382,445 S * 8/1997 Indekeu D7/545
D384,778 S * 10/1997 Powers D30/119
D395,548 S * 6/1998 Morisette D3/304
D405,646 S * 2/1999 Indekeu D28/73
D410,759 S * 6/1999 Petruzzi D26/37
5,918,396 A * 7/1999 Jung G02B 6/006
40/546

(Continued)

(**) Term: **15 Years**
(21) Appl. No.: **29/660,875**
(22) Filed: **Aug. 23, 2018**
(51) **LOC (13) Cl.** **26-05**
(52) **U.S. Cl.**
USPC **D26/51**
(58) **Field of Classification Search**
USPC D26/51, 56, 58; D7/554.3, 352, 552.1,
D7/554.2, 354, 698; D9/418, 432, 737;
D24/227, 216, 224; D19/102, 103;
D6/403, 405, 406.6, 705, 308; D3/304,
D3/315; D11/143-145
CPC A47G 23/08; A47G 19/00; A61G 12/00;
A01G 9/02; A01G 9/022; A01G 9/04;
A01G 9/042; A01G 9/045; A01G 7/045;
A47F 5/0018
See application file for complete search history.

OTHER PUBLICATIONS

illadelphclothing.com: Illadelph Rolling Tray. Undated online product page. Retrieved on May 14, 2020 from <URL:https://illadelphclothing.com/collections/illadelph-rolling-tray/products/illadelph-rolling-tray> (Year: 2020).*

(Continued)

Primary Examiner — Barbara Fox
Assistant Examiner — Stacey L Hopkins
(74) *Attorney, Agent, or Firm* — Paul & Paul

(57) **CLAIM**

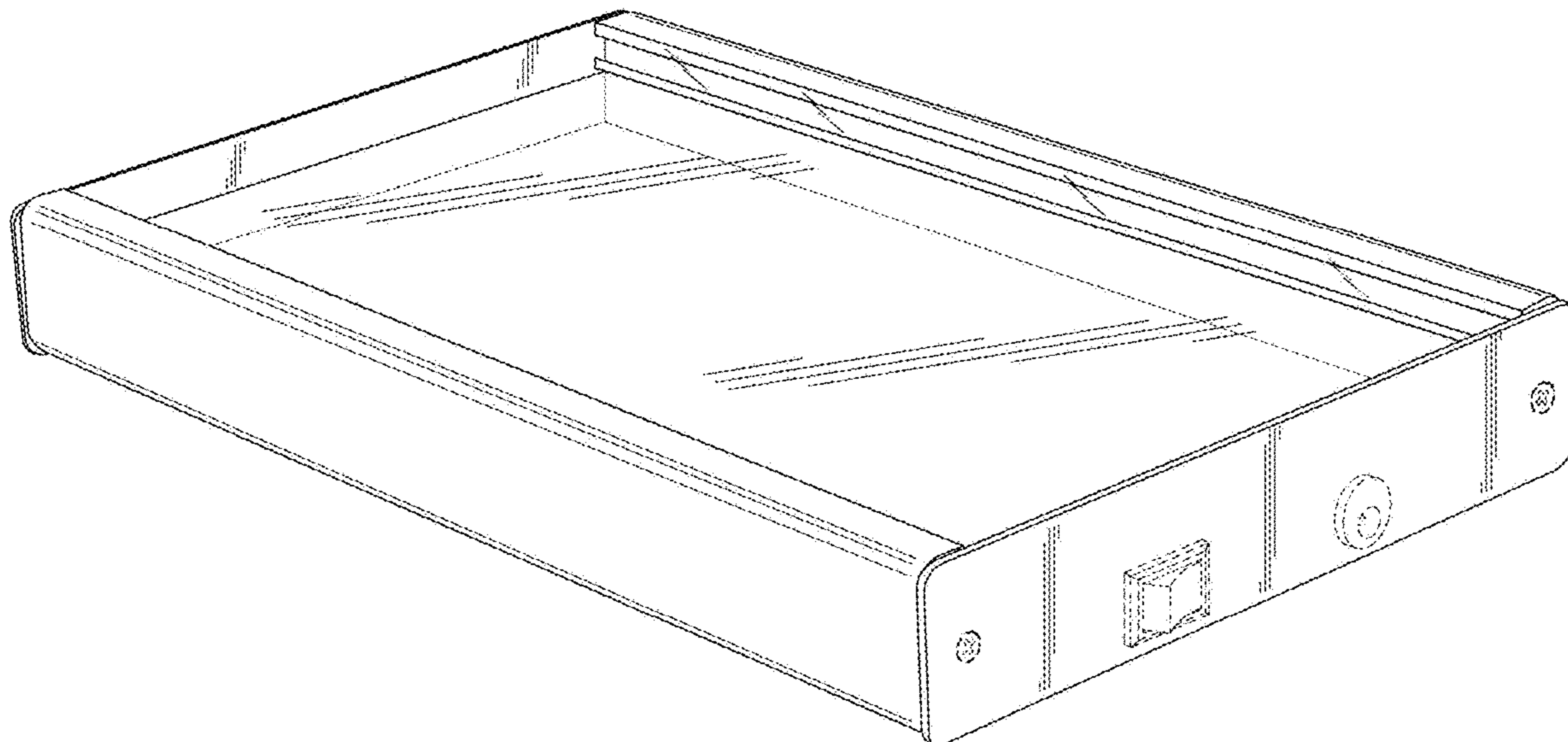
An ornamental design for an illuminated tray, as shown and described.

DESCRIPTION

FIG. 1 is a perspective view of an illuminated tray embodying my new design;
FIG. 2 is a top plan view thereof;
FIG. 3 is a bottom plan view thereof;
FIG. 4 is a front elevational view thereof;
FIG. 5 is a rear elevational view thereof;
FIG. 6 is a left side elevational view thereof; and,
FIG. 7 is a right side elevational view thereof.
Throughout the drawings the broken lines depict portions of the illuminated tray that form no part of the claimed design.

1 Claim, 5 Drawing Sheets

(56) **References Cited**
U.S. PATENT DOCUMENTS
4,071,883 A * 1/1978 Dennis F21V 11/18
362/97.4
D259,777 S * 7/1981 Ehrreich D11/155
4,564,886 A * 1/1986 Morcheles G09F 13/04
108/23
D283,104 S * 3/1986 Bigando D6/634
4,809,141 A * 2/1989 Leopoldi B42D 5/007
362/208
D310,576 S * 9/1990 Narbut D19/62



(56)

References Cited

U.S. PATENT DOCUMENTS

6,042,243 A * 3/2000 Grill G09F 13/0413
 362/125
 D423,546 S * 4/2000 Wilson 40/361
 D427,641 S * 7/2000 Palmer D16/225
 D430,901 S * 9/2000 Palmer D20/10
 D434,606 S * 12/2000 Reames D7/552.1
 D444,060 S * 6/2001 Elsener, Sr. D9/418
 D456,191 S * 4/2002 Bonin D3/304
 D464,237 S * 10/2002 Kaposi D7/698
 6,527,243 B1 * 3/2003 Kume, Jr. A47B 23/002
 108/168
 D475,477 S * 6/2003 Bennett, Jr. D26/58
 6,619,656 B2 * 9/2003 Guddanti B65H 1/04
 271/171
 D480,814 S * 10/2003 Lafferty D24/216
 D484,542 S * 12/2003 Hassell D19/75
 D490,977 S * 6/2004 Freeman A47B 88/90
 D3/273
 D498,554 S * 11/2004 Agresto, Sr. D19/88
 6,823,618 B2 * 11/2004 Huang G09F 13/0413
 40/575
 D505,788 S * 6/2005 Sorrenti D3/304
 D519,278 S * 4/2006 Boerma D3/304
 D542,449 S * 5/2007 Racoosin D26/51
 D547,064 S * 7/2007 Snell D3/304
 D548,357 S * 8/2007 Barbera-Guillem D24/216
 D575,989 S * 9/2008 McFarland D7/554.3
 D576,873 S * 9/2008 Kim D9/418
 D577,223 S * 9/2008 Durmon, Jr. D6/406.5
 D578,811 S * 10/2008 Gervasi D6/705
 D605,703 S * 12/2009 Chen D19/88
 D659,399 S * 5/2012 Kraemer D3/304
 D683,191 S * 5/2013 Espinoza D7/554.3
 8,465,174 B2 * 6/2013 Ing G09F 9/33
 362/249.01
 D700,003 S * 2/2014 Lagsdin D7/354
 D706,447 S * 6/2014 Brossette D24/227

D711,460 S * 8/2014 Schwarzkopf D18/4.6
 D712,148 S * 9/2014 Ghiorgie D3/304
 D720,211 S * 12/2014 Brown D9/418
 D727,732 S * 4/2015 Petty D9/415
 D727,791 S * 4/2015 Montagano D11/155
 D770,655 S * 11/2016 Leanza D26/51
 D774,036 S * 12/2016 Kuntz D14/440
 D774,830 S * 12/2016 Gebhardt D7/552.1
 D775,466 S * 1/2017 Wang D3/304
 D783,285 S * 4/2017 Hecht D3/304
 D787,316 S * 5/2017 Sill D9/418
 D802,159 S * 11/2017 Fawdington D24/227
 D805,399 S * 12/2017 Torchin D9/737
 D806,534 S * 1/2018 Chou D9/425
 D816,479 S * 5/2018 Sill D9/418
 D833,201 S * 11/2018 Lee D7/352
 D834,314 S * 11/2018 Nicoline D3/304
 D834,821 S * 12/2018 McKenna D3/304
 D840,052 S * 2/2019 Fawdington D24/227
 D840,219 S * 2/2019 McKenna D9/418
 D842,519 S * 3/2019 Cano D26/56
 D858,274 S * 9/2019 Perella D9/432
 D865,452 S * 11/2019 Hertaus D7/554.3
 D869,165 S * 12/2019 Thurston B65D 90/24
 D3/304
 D871,155 S * 12/2019 Miller D7/554.3
 D873,555 S * 1/2020 Wurm D3/203.1
 D876,899 S * 3/2020 Pawlusiewicz D7/554.3
 D878,197 S * 3/2020 Griffin D9/432
 2019/0075947 A1 * 3/2019 Bushue A01K 13/006
 2019/0150501 A1 * 5/2019 Duffy et al. A24C 5/44
 2019/0328037 A1 * 10/2019 Kesselman A24F 17/00

OTHER PUBLICATIONS

dickblick.com: Gagne Porta-Trace LED Light Boxes. Undated online product page. Retrieved on Oct. 27, 2020 from <<https://www.dickblick.com/products/gagne-porta-trace-led-light-boxes/>> (Year: 2020).*

* cited by examiner

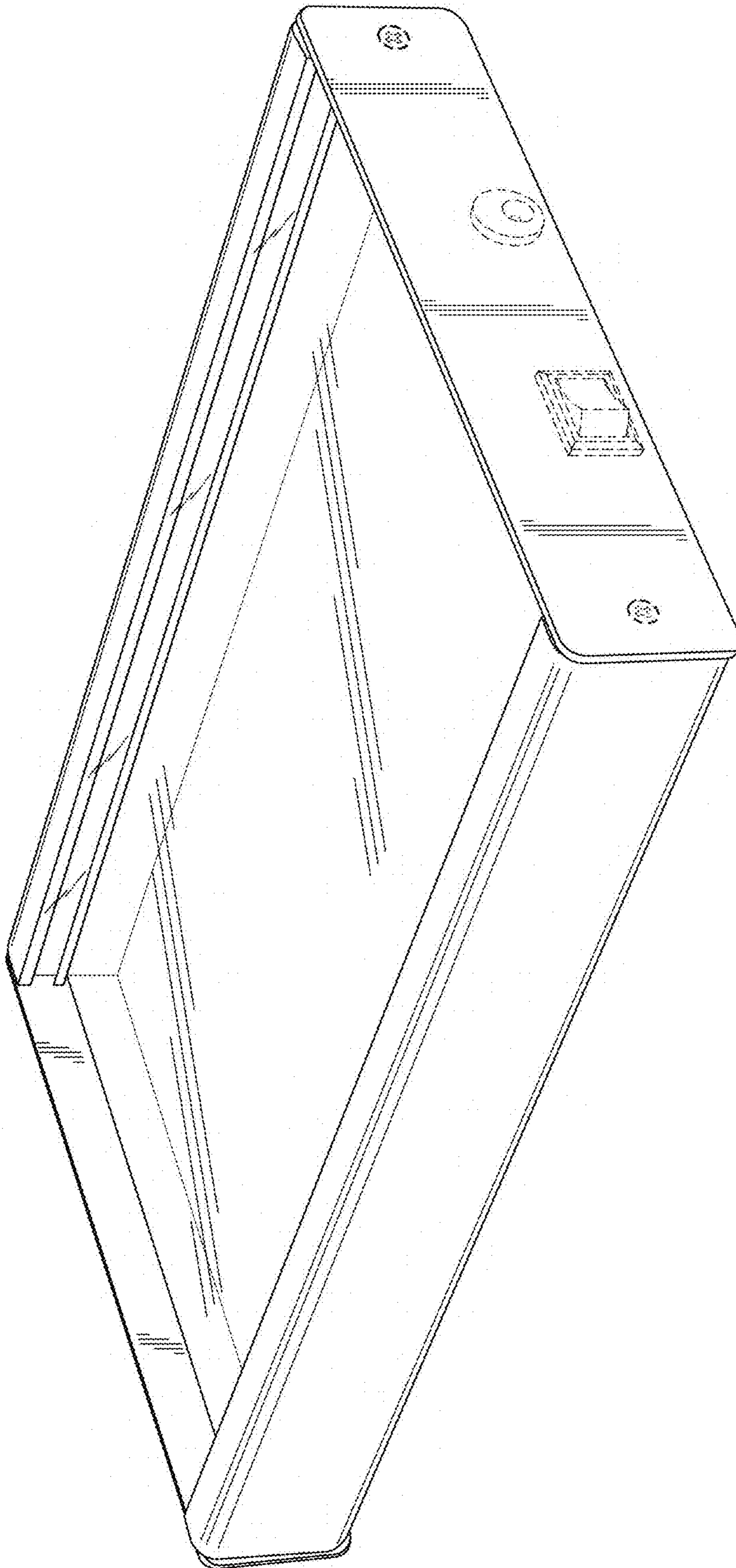


FIG. 1

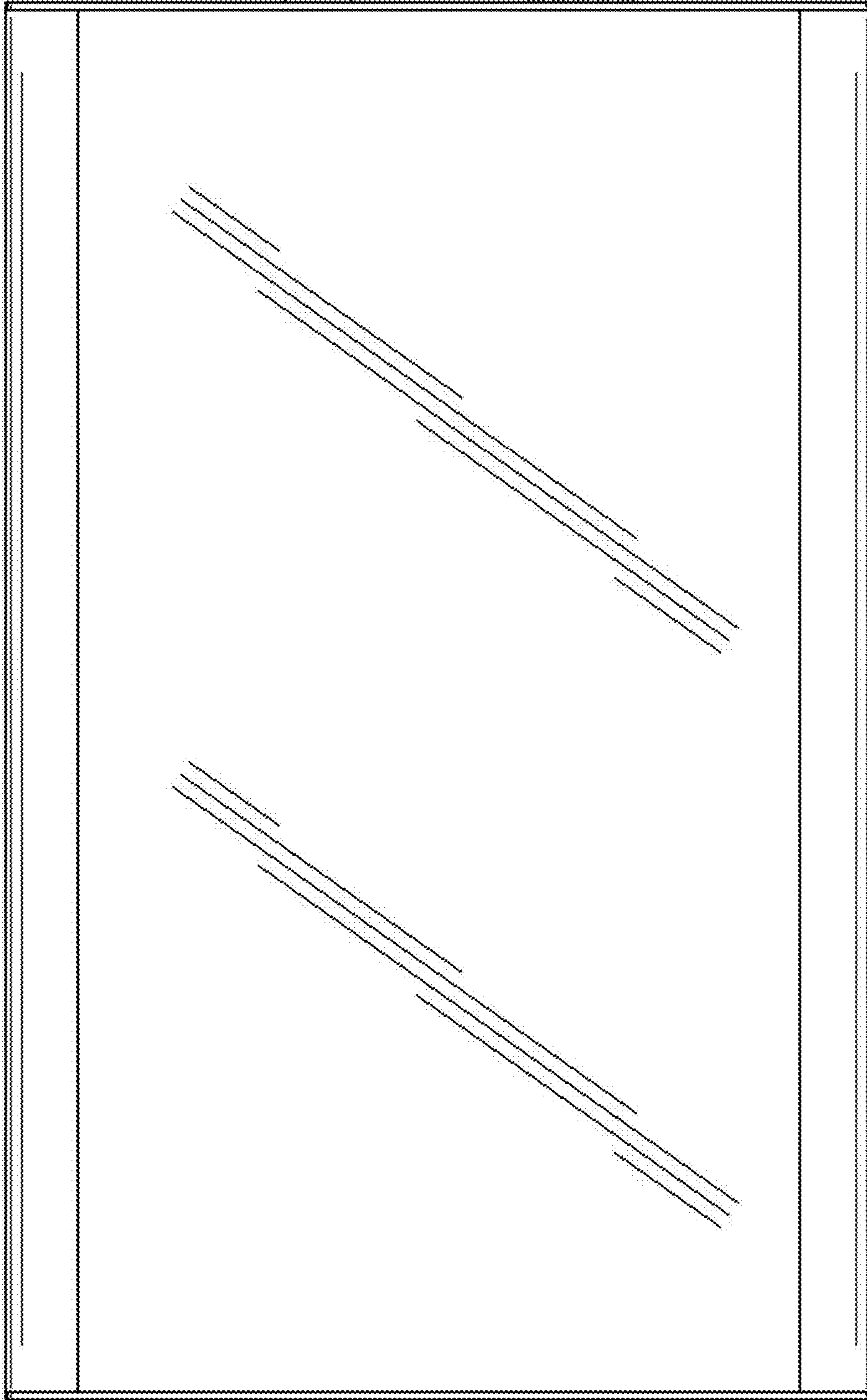


FIG. 2

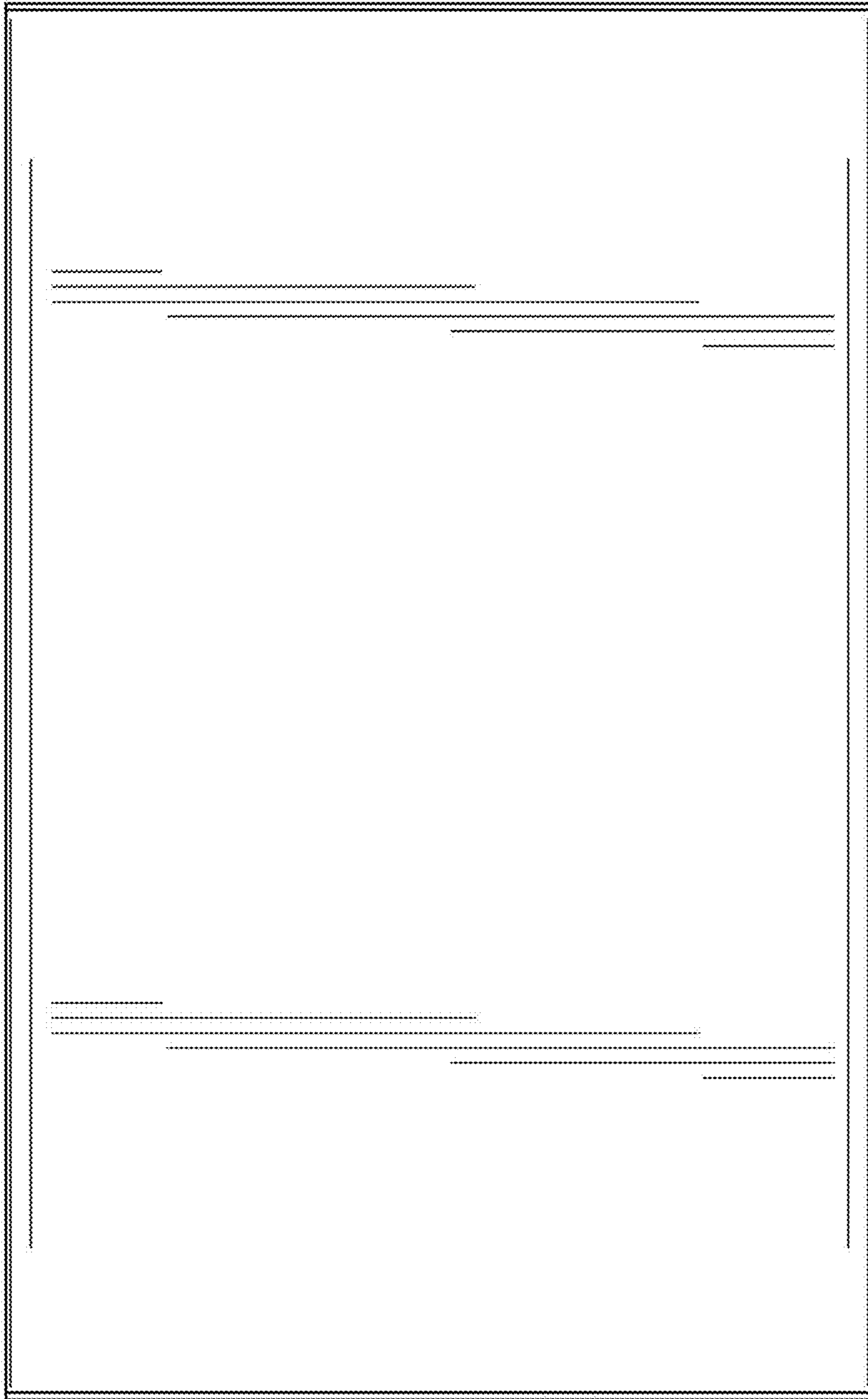


FIG. 3



FIG. 5

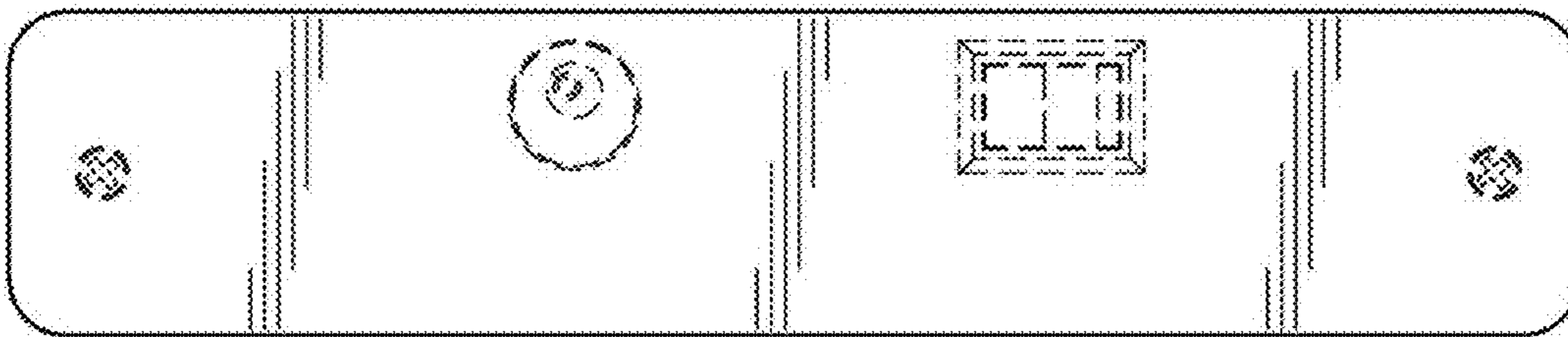


FIG. 4

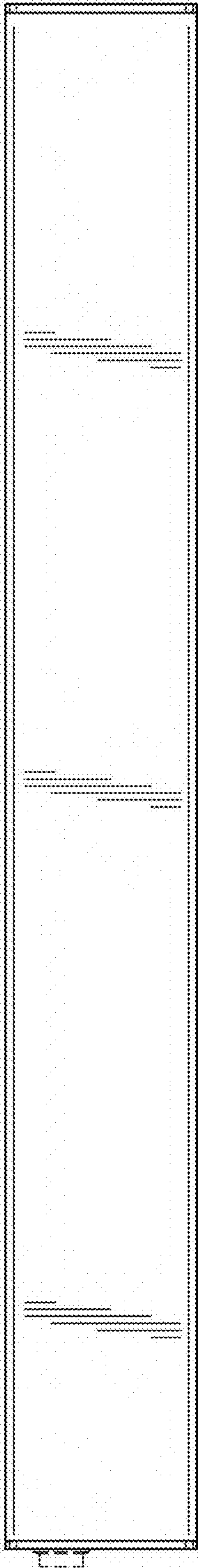


FIG. 7

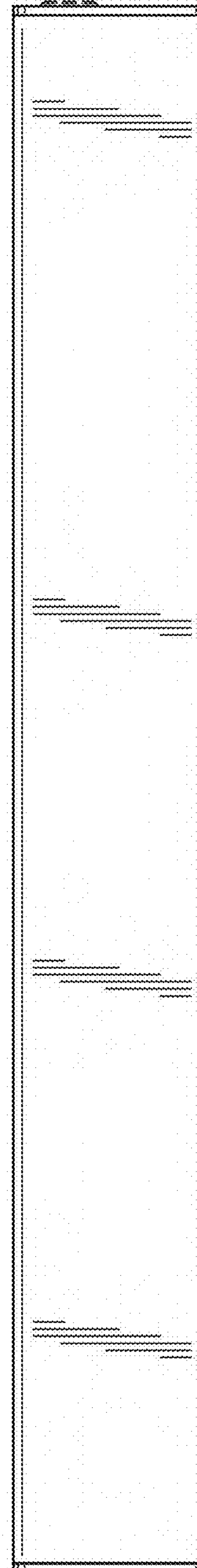


FIG. 6