



US00D917754S

(12) **United States Design Patent** (10) **Patent No.:** **US D917,754 S**
Dean (45) **Date of Patent:** **** Apr. 27, 2021**

(54) **SPOTLIGHT**

(71) Applicant: **ZUMTOBEL LIGHTING GMBH,**
Lemgo (DE)

(72) Inventor: **Steve Dean,** Welwyn Garden City (GB)

(73) Assignee: **ZUMTOBEL LIGHTING GMBH,**
Lemgo (DE)

(**) Term: **15 Years**

(21) Appl. No.: **29/551,952**

(22) Filed: **Jan. 19, 2016**

(30) **Foreign Application Priority Data**

Jul. 17, 2015 (EM) 002738690

(51) **LOC (13) Cl.** **26-02**

(52) **U.S. Cl.**
USPC **D26/44**

(58) **Field of Classification Search**
USPC D26/49, 50, 80-91, 118, 152, 155, 128,
D26/123

CPC F21L 2003/00; F21L 4/00; F21L 4/005;
F21L 4/02; F21L 4/025; F21L 4/027;
F21L 4/04; F21L 4/08; F21L 2005/00;
F21L 7/00; F21L 11/00; F21L 13/00;
F21L 13/04; F21L 13/08; F21L 14/02;
F21L 17/00; F21L 19/00

See application file for complete search history.

(56) **References Cited**

U.S. PATENT DOCUMENTS

D541,456 S * 4/2007 Kosche D26/63
D566,873 S * 4/2008 Grundl D26/63

D627,498 S * 11/2010 Chipperfield D26/63
D629,549 S * 12/2010 Feigenbaum D26/63
D646,817 S * 10/2011 Yuen D26/48
D659,281 S * 5/2012 Patkus D26/137
D664,287 S * 7/2012 Cegnar D26/128
D670,846 S * 11/2012 Ramirez D26/63
D748,313 S * 1/2016 Grundl D26/63
D752,795 S * 3/2016 Jigamian D26/113
D754,241 S * 4/2016 Ferro D16/239
D758,642 S * 6/2016 Eguchi D26/113
D786,473 S * 5/2017 Dean D26/74
D799,739 S * 10/2017 Dean D26/128

* cited by examiner

Primary Examiner — Lakiya G Rogers

Assistant Examiner — Carissa C Fitts

(74) *Attorney, Agent, or Firm* — Scully, Scott, Murphy & Presser, P.C.

(57) **CLAIM**

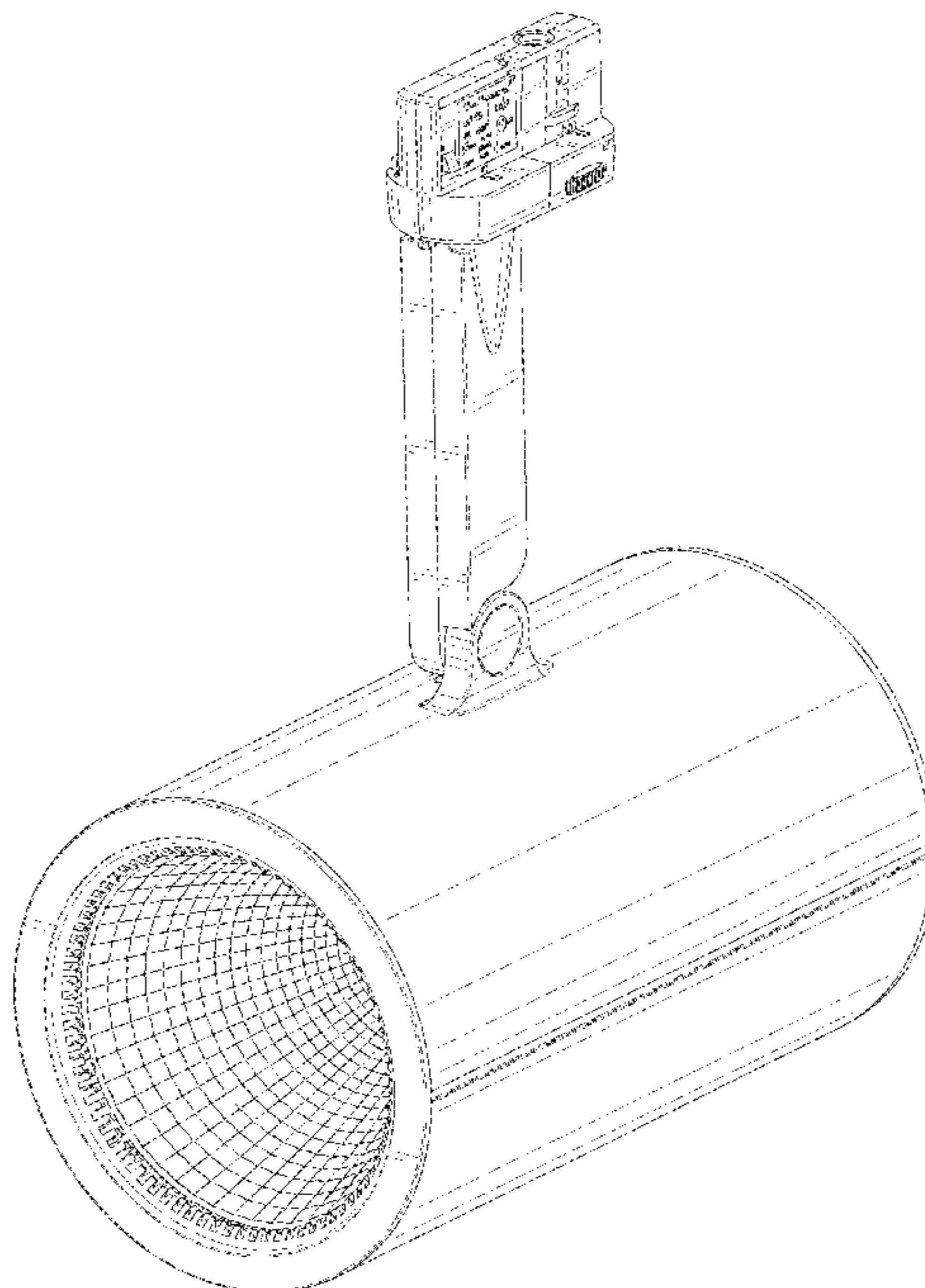
The ornamental design for a spotlight, as shown and described.

DESCRIPTION

FIG. 1 illustrates a perspective view of the spotlight, showing our new and ornamental design;
FIG. 2 illustrates a second perspective view thereof;
FIG. 3 illustrates a side view thereof;
FIG. 4 illustrates an opposite side view thereof;
FIG. 5 illustrates a back view thereof;
FIG. 6 illustrates a front view thereof;
FIG. 7 illustrates a top thereof; and,
FIG. 8 illustrates a bottom view thereof.

The portions of the spotlight shown in broken lines shown in the figures attached hereto form no part of the claimed design.

1 Claim, 8 Drawing Sheets



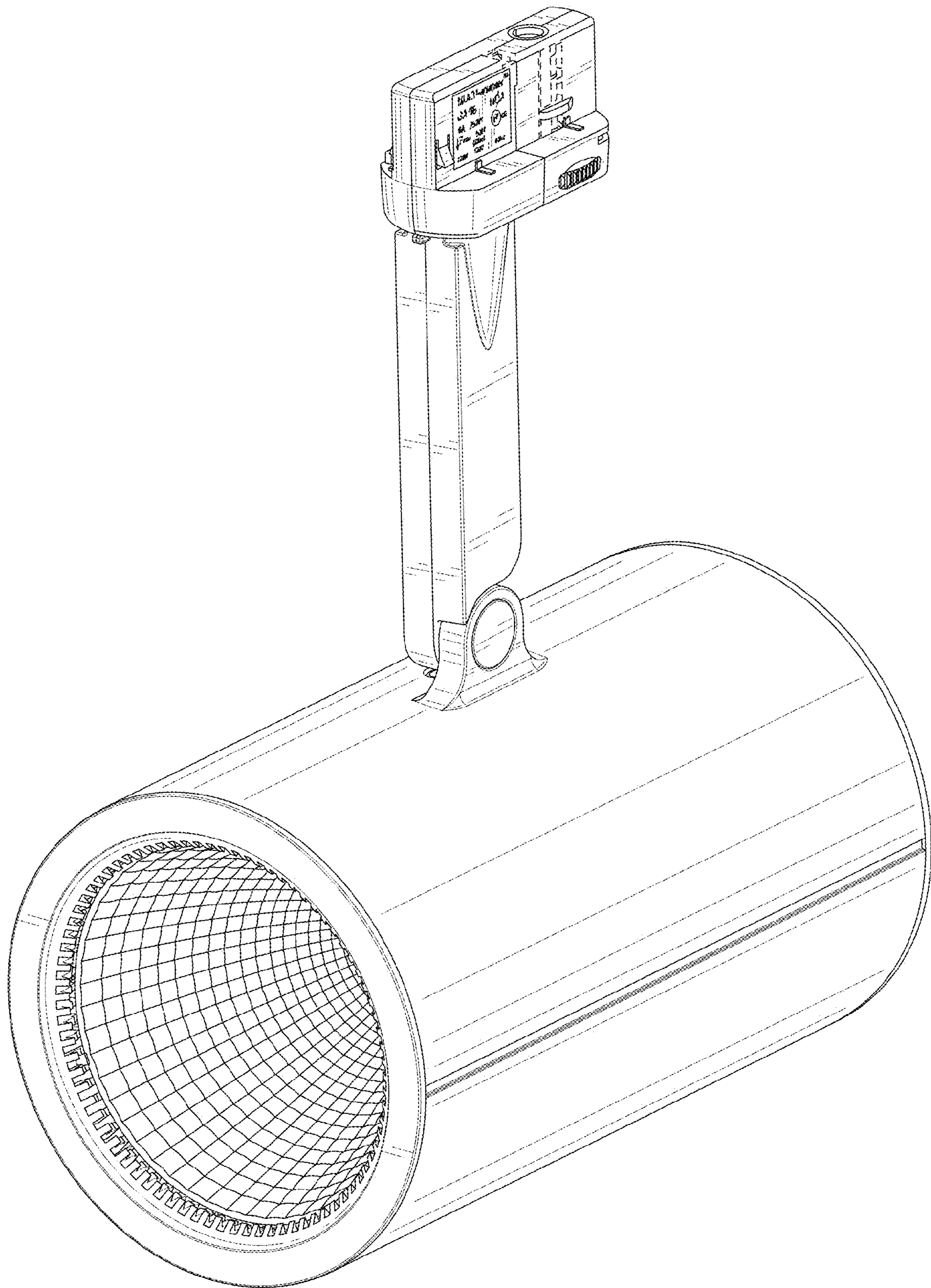


FIG. 1

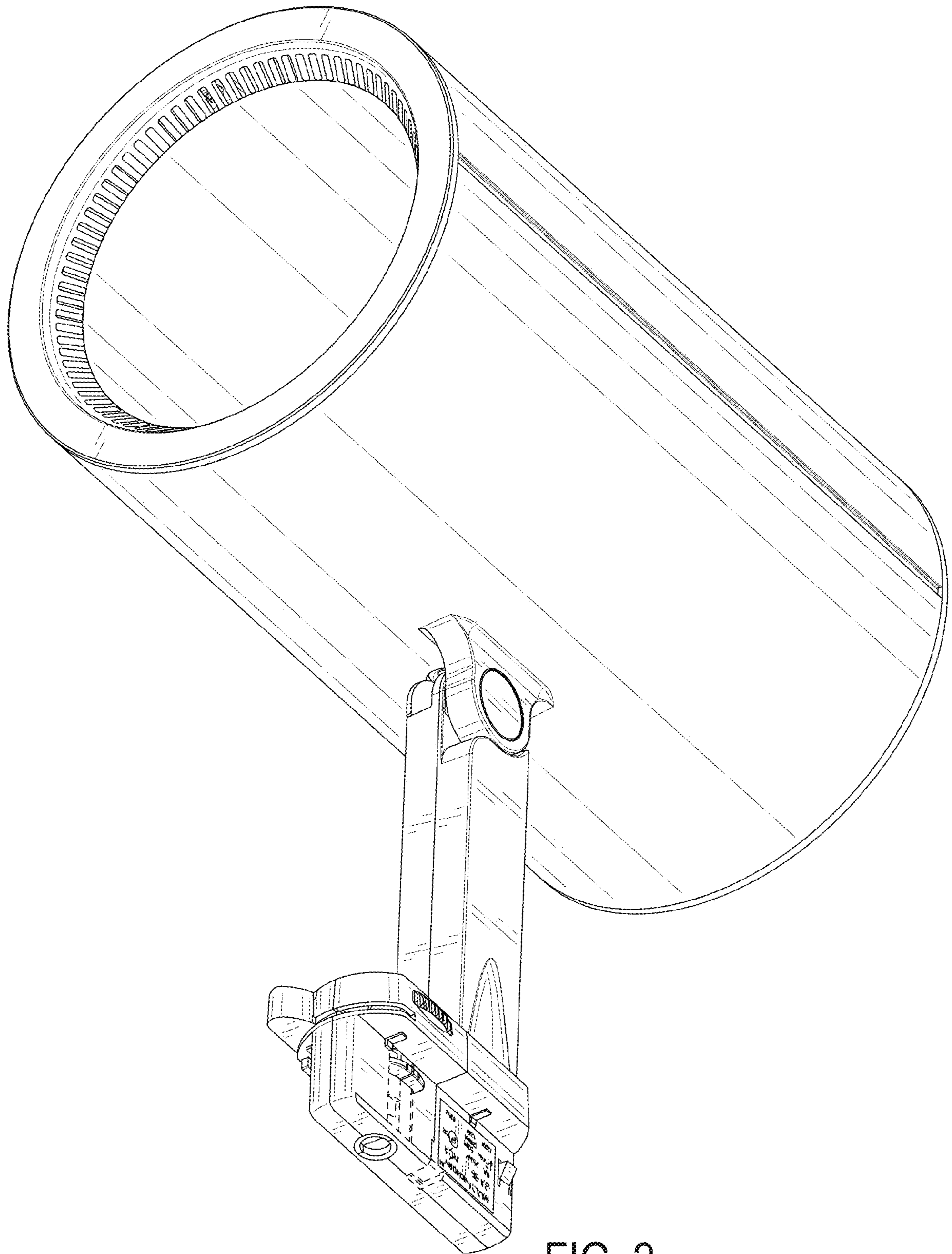


FIG. 2

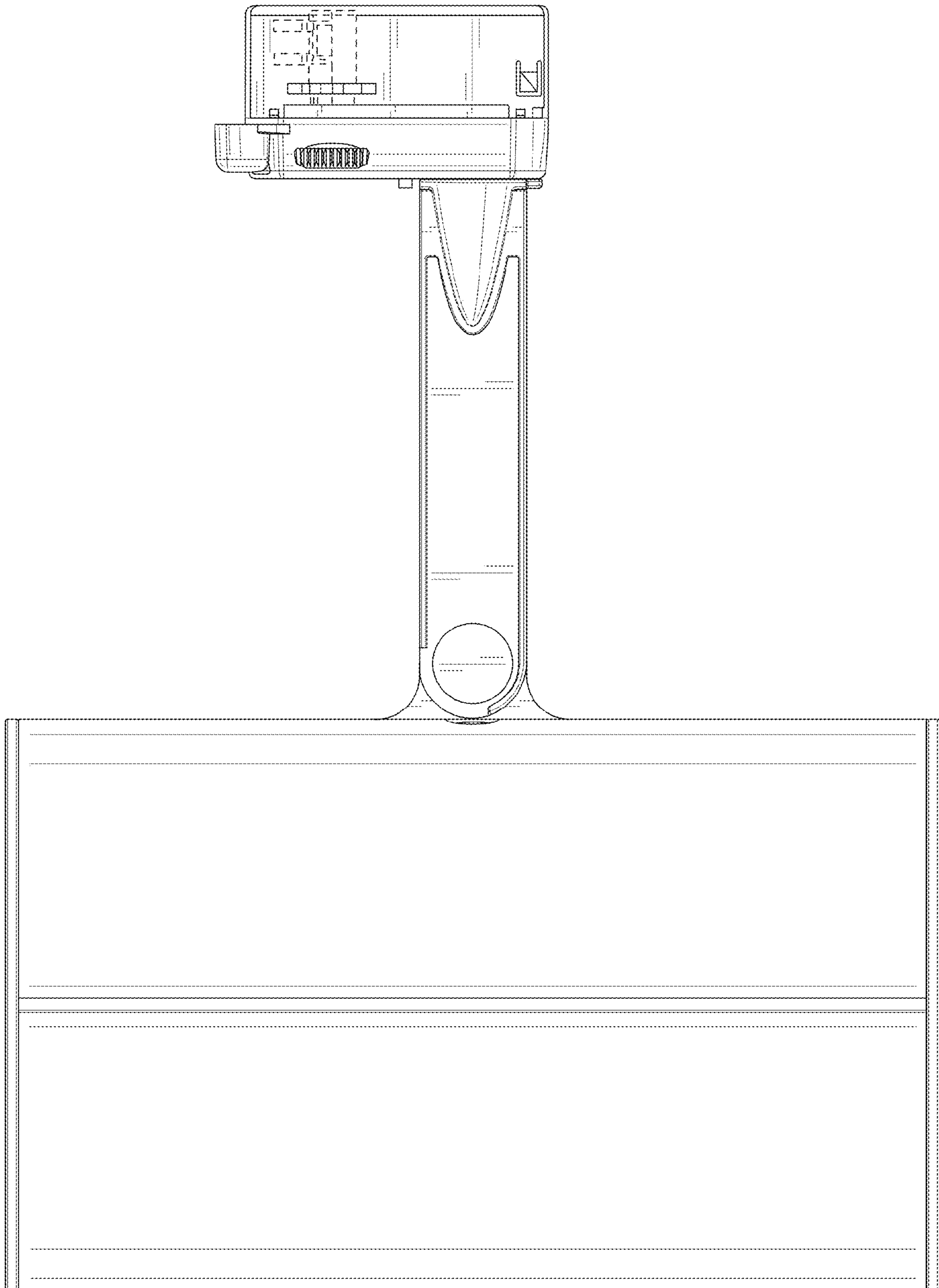


FIG. 3

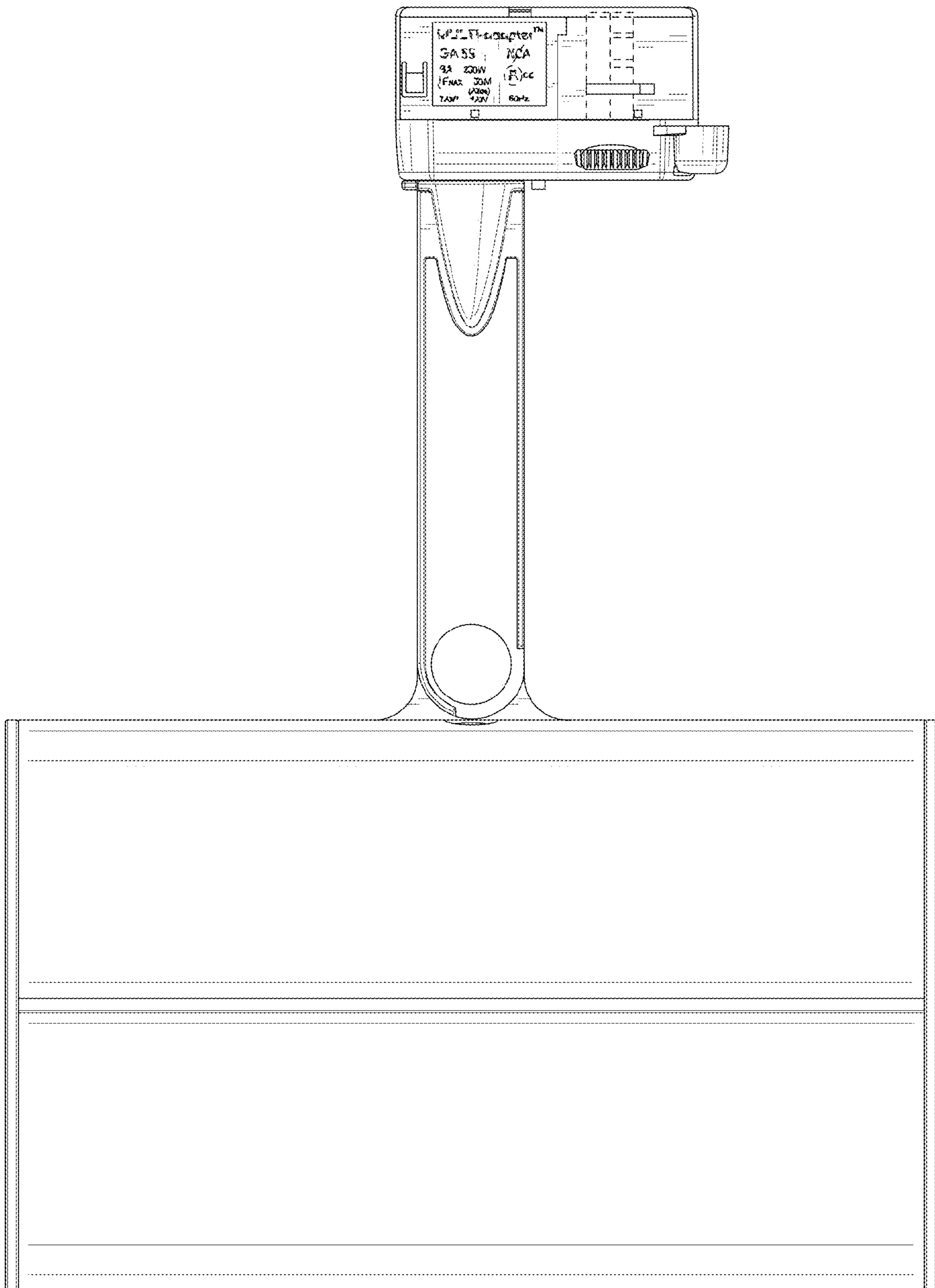


FIG. 4

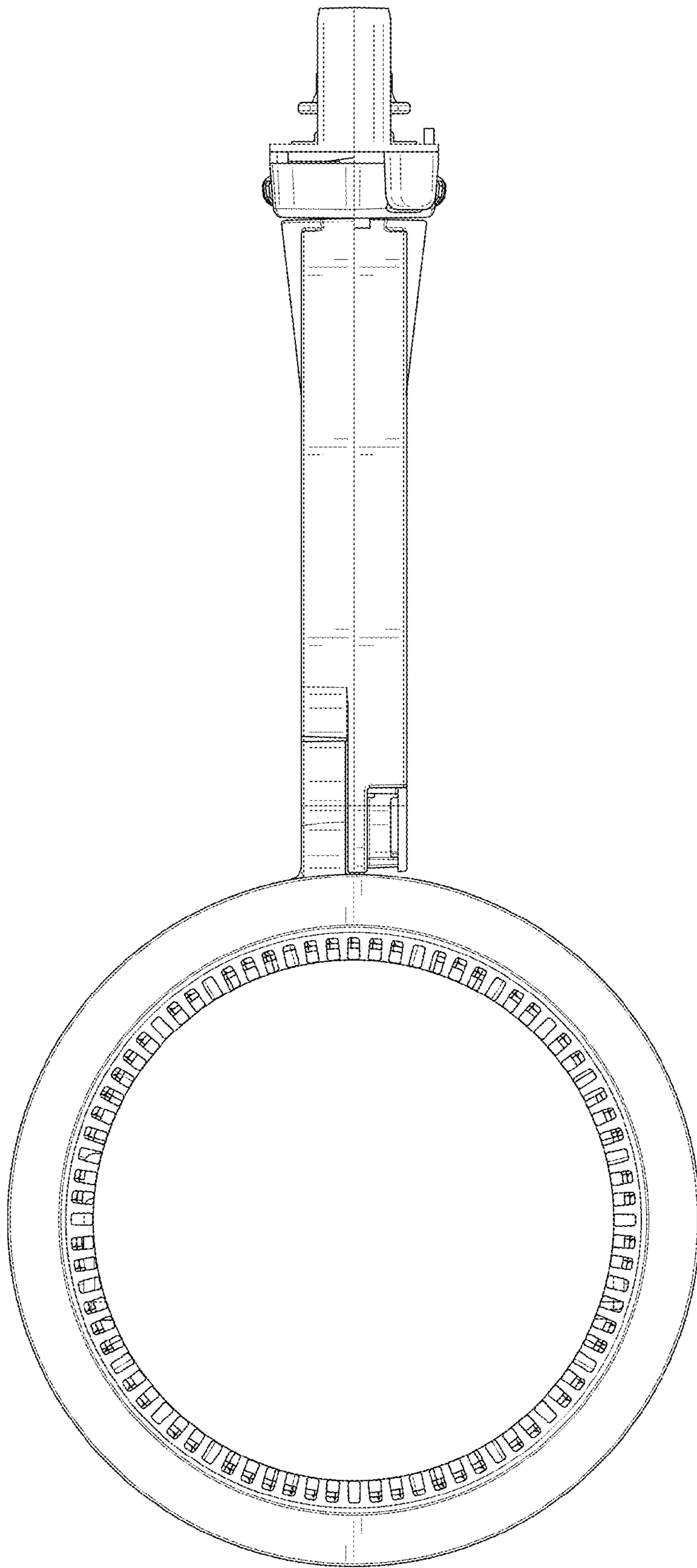


FIG. 5

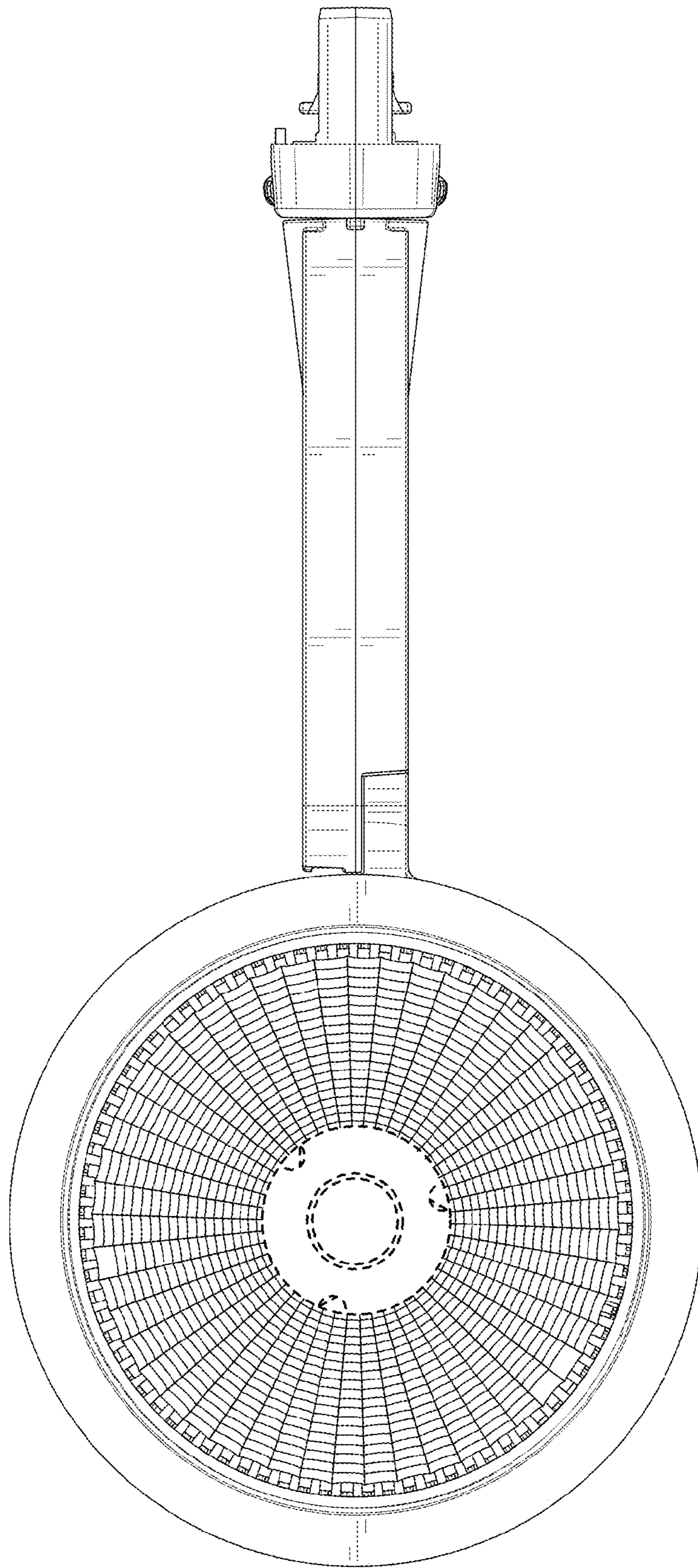


FIG. 6

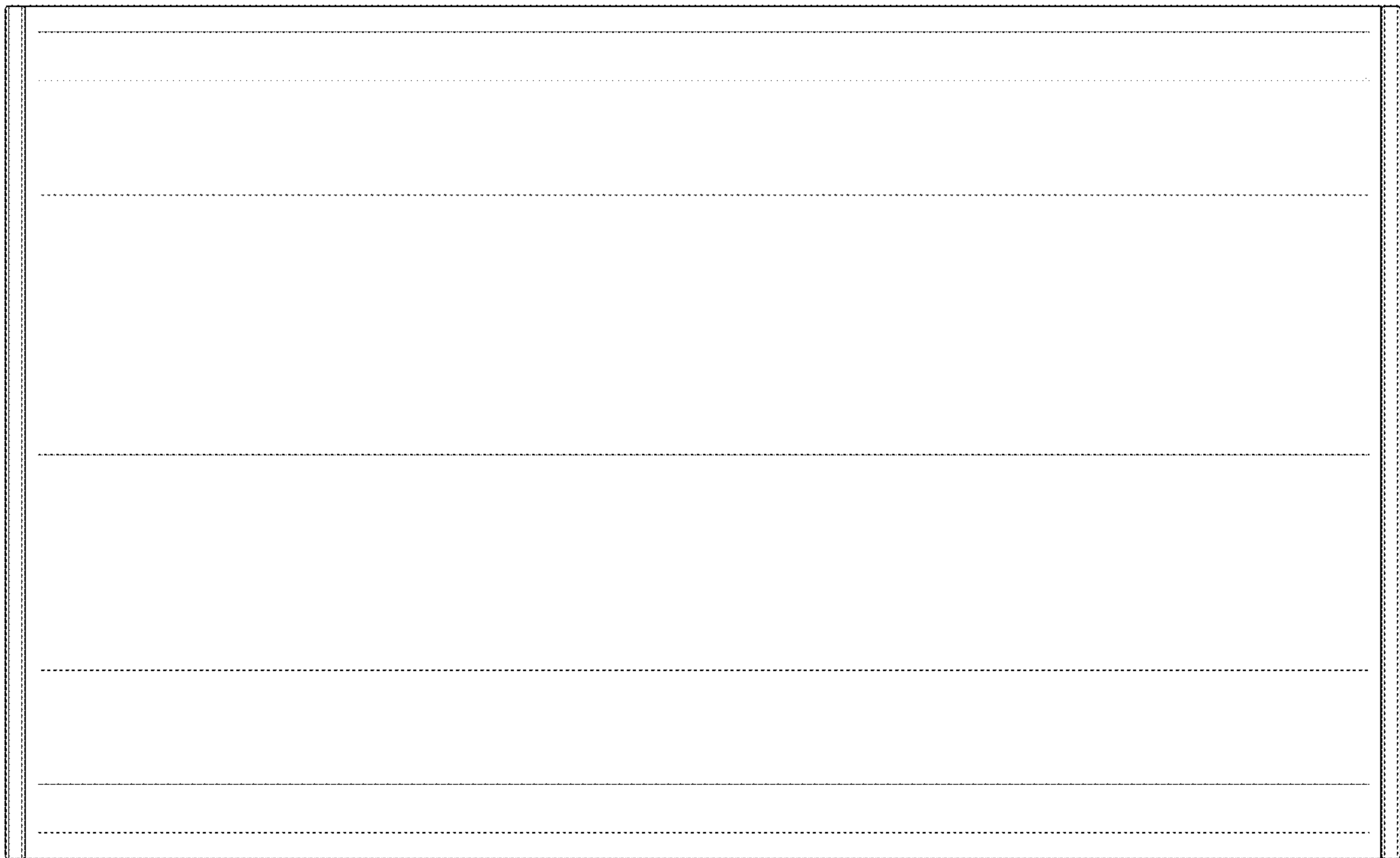


FIG. 7

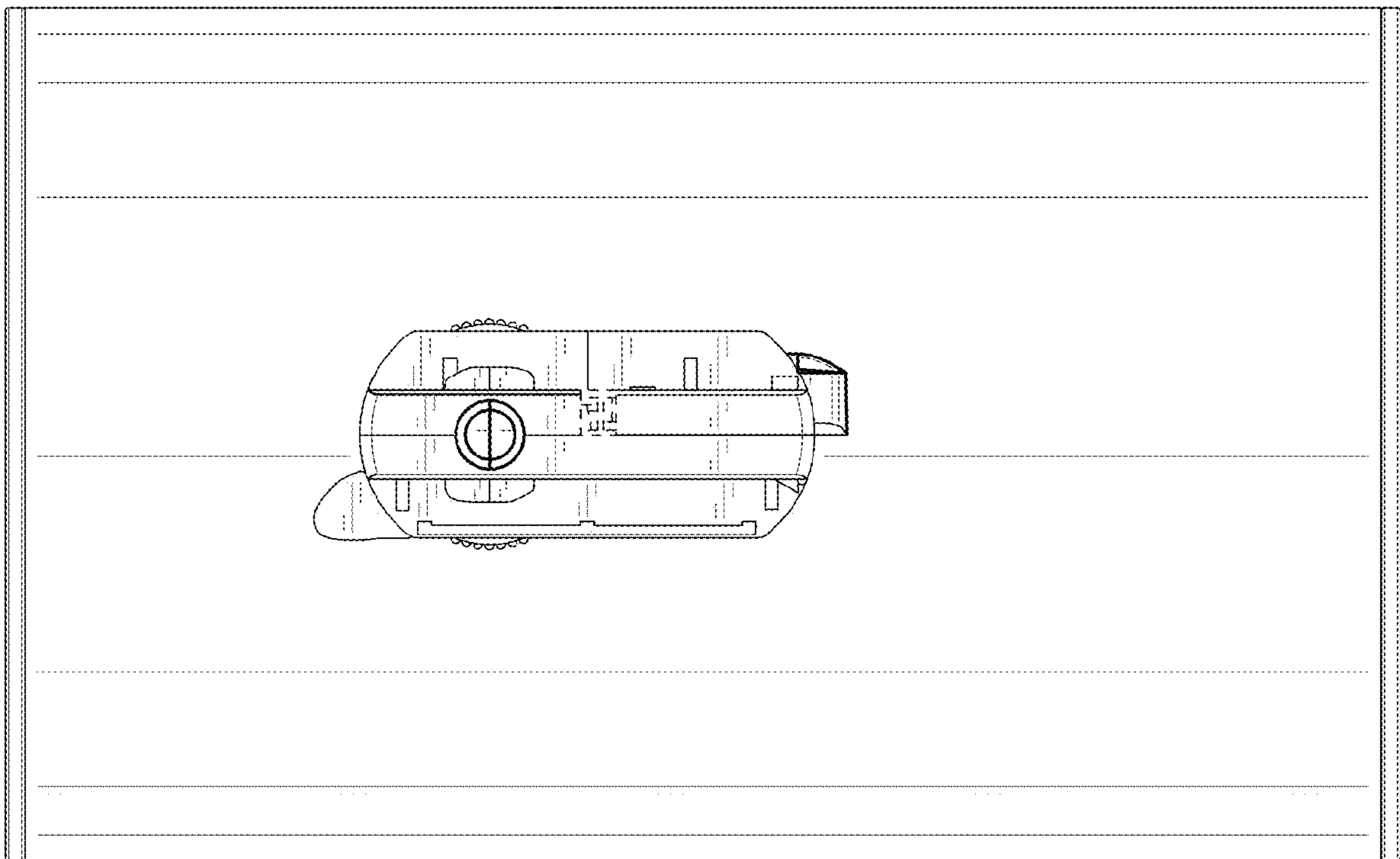


FIG. 8