



US00D917749S

(12) **United States Design Patent** (10) **Patent No.:** **US D917,749 S**
Patel et al. (45) **Date of Patent:** **** Apr. 27, 2021**

(54) **HEAD LIGHT**
(71) Applicant: **Jaguar Land Rover Limited**, Coventry (GB)
(72) Inventors: **Paven Patel**, Coventry (GB); **Alex Chan**, Coventry (GB)
(73) Assignee: **JAGUAR LAND ROVER LIMITED**, Coventry (GB)

D862,751 S * 10/2019 Lucas D26/28
D863,618 S * 10/2019 Lucas D26/28
D870,924 S * 12/2019 Trim D26/28
D879,340 S * 3/2020 Patel D26/28
D883,539 S * 5/2020 Yu D26/28
D889,697 S * 7/2020 Tovey D26/28
D889,708 S * 7/2020 Trim D26/28
D891,653 S * 7/2020 Woodhouse D26/28
D902,454 S * 11/2020 Lucas D26/28

(Continued)

(**) Term: **15 Years**
(21) Appl. No.: **29/727,900**
(22) Filed: **Mar. 13, 2020**

Related U.S. Application Data

(62) Division of application No. 29/629,601, filed on Dec. 14, 2017, now Pat. No. Des. 879,340.

(30) **Foreign Application Priority Data**

Jun. 15, 2017 (EM) 004048932

(51) **LOC (13) Cl.** **26-06**

(52) **U.S. Cl.**
USPC **D26/28**

(58) **Field of Classification Search**

USPC D26/28, 139; D12/91, 164, 169
CPC .. F21S 41/00; F21S 48/10; F21S 41/20; F21S 48/115; F21S 48/225; F21S 48/1233; F21S 48/1266; F21S 48/1388; F21S 48/2268; F21V 21/04
See application file for complete search history.

(56) **References Cited**

U.S. PATENT DOCUMENTS

D819,847 S * 6/2018 Woodhouse D26/28
D835,309 S * 12/2018 Thomas D26/28
D848,648 S * 5/2019 Thomas D26/28

OTHER PUBLICATIONS

“Jaguars All-Seeing Eye.” Found online Dec. 4, 2020 at www.jaguar.gi. Page archived Mar. 14, 2017. Retrieved from URL: <https://web.archive.org/web/20170314143420/https://www.jaguar.gi/about-jaguar/jaguar-stories/headlights.html> (Year: 2017).*

(Continued)

Primary Examiner — Mary Ann Calabrese

Assistant Examiner — Katelin G Kloberg

(74) *Attorney, Agent, or Firm* — Reising Ethington P.C.

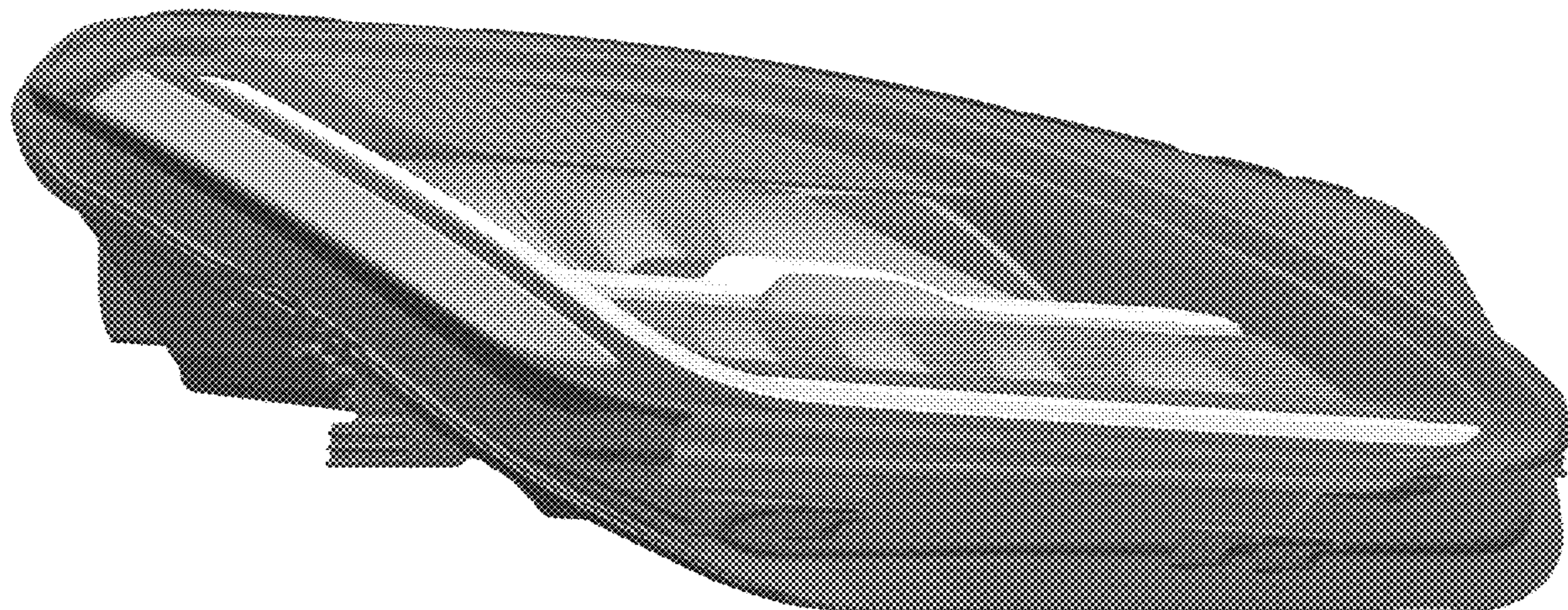
(57) **CLAIM**

The ornamental design for a head light, as shown and described.

DESCRIPTION

FIG. 1 is a front left perspective view of a head light, showing our new design;
FIG. 2 is a front right perspective view of the head light shown in FIG. 1.
FIG. 3 is a rear right perspective view thereof.
FIG. 4 is a rear left perspective view thereof.
FIG. 5 is a front view thereof.
FIG. 6 is a rear view thereof.
FIG. 7 is a left side view thereof.
FIG. 8 is a right side view thereof.
FIG. 9 is a top view thereof; and,
FIG. 10 is a bottom view thereof.

1 Claim, 10 Drawing Sheets



(56)

References Cited

U.S. PATENT DOCUMENTS

D902,455 S * 11/2020 Lucas D26/28

OTHER PUBLICATIONS

“Jaguar F-Pace SVR Drive Review Jake Stumph LED Headlights.” Found online Dec. 4, 2020 at www.jaguarforums.com. Page dated Jul. 12, 2019. Retrieved from URL: <https://www.jaguarforums.com/articles/jaguar-f-pace-svr-drive-review-ultimate-bond-villain-get-away-car/7-13/> (Year: 2019).*

“YouTube—Jaguar F-Pace Full LED Lights.” Found online Dec. 4, 2020 at www.youtube.com. Video published Jun. 8, 2016. Retrieved from URL: <https://www.youtube.com/watch?v=ty3u8E6e2vQ> (Year: 2016).*

“YouTube—Jaguar F-Pace 2017—Automatic Headlamps and Intelligent High Beam Assist.” Found online Dec. 4, 2020 at www.youtube.com. Video published Apr. 14, 2016. Retrieved from URL: <https://www.youtube.com/watch?v=S-A11Hm7xds> (Year: 2016).*

* cited by examiner

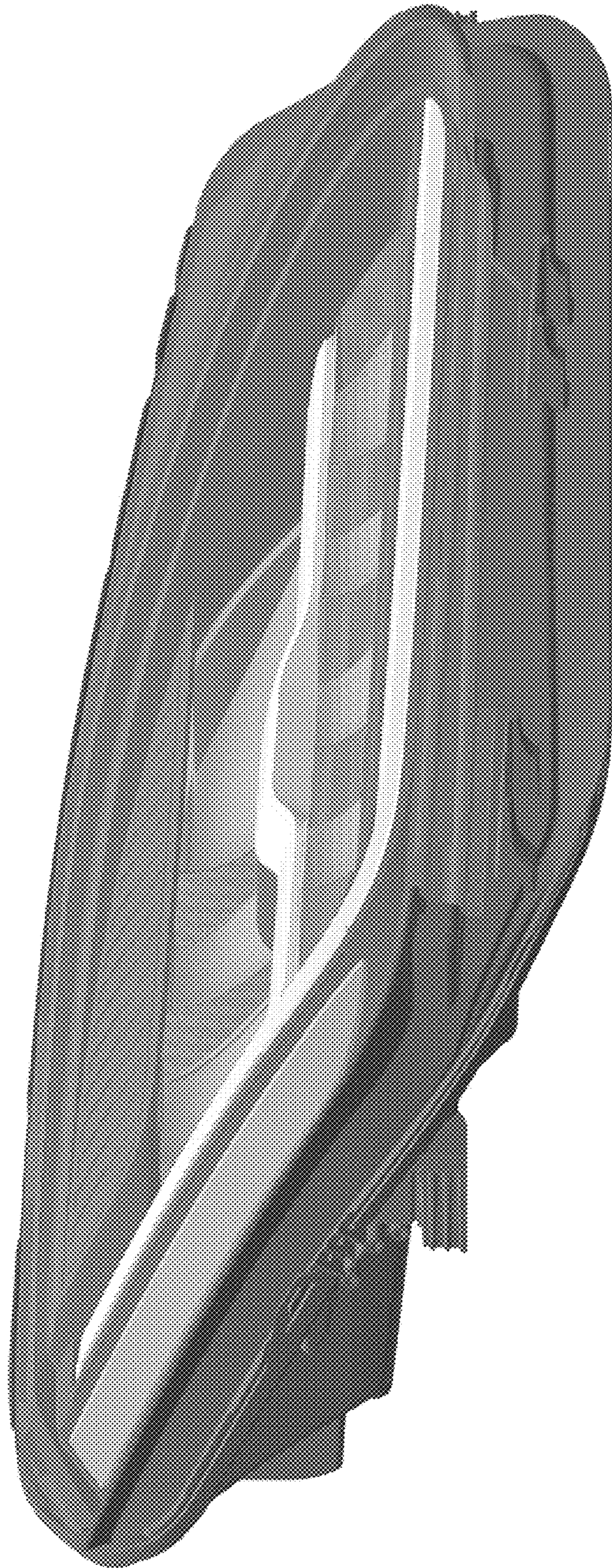


FIG. 1

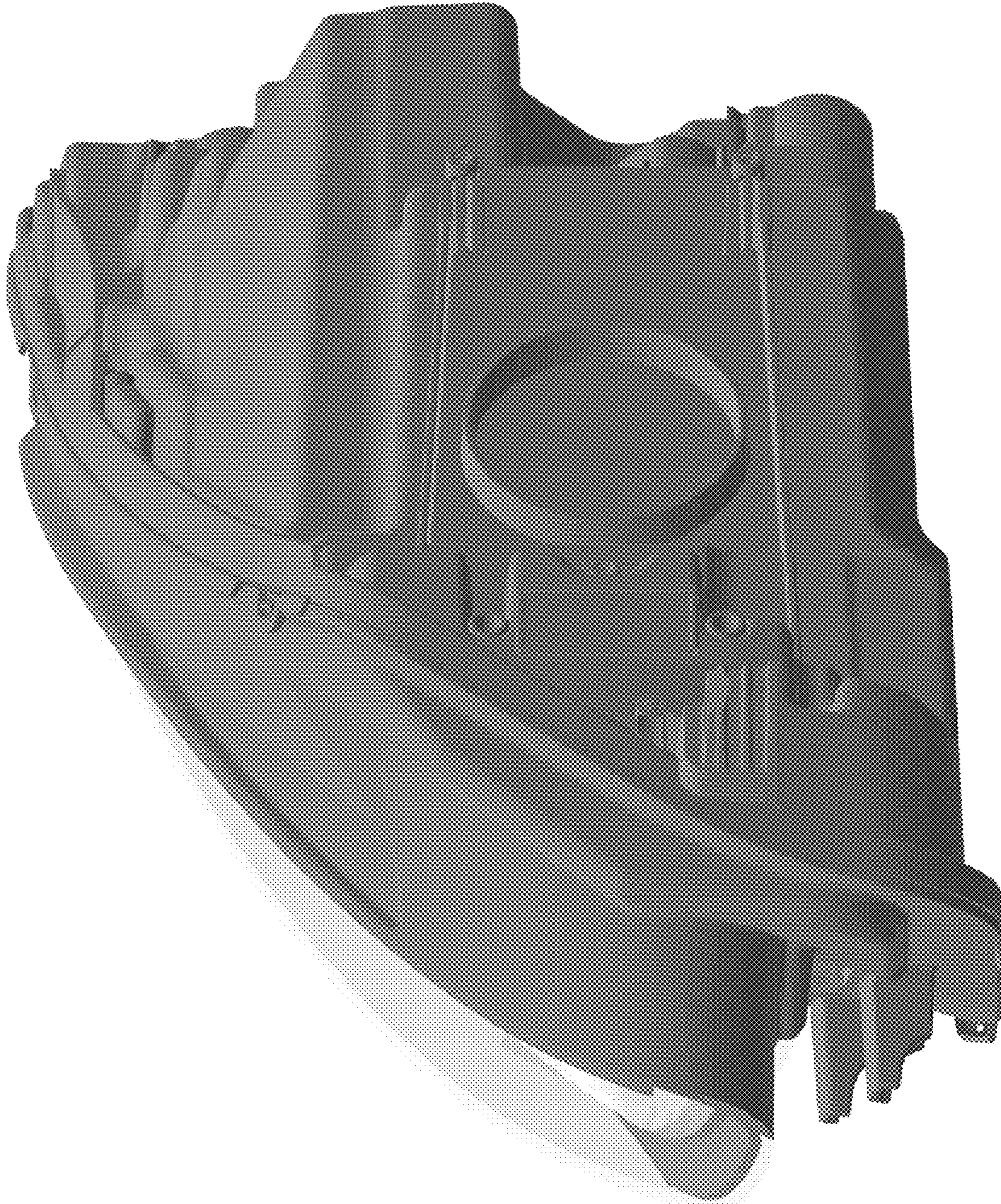


FIG. 2

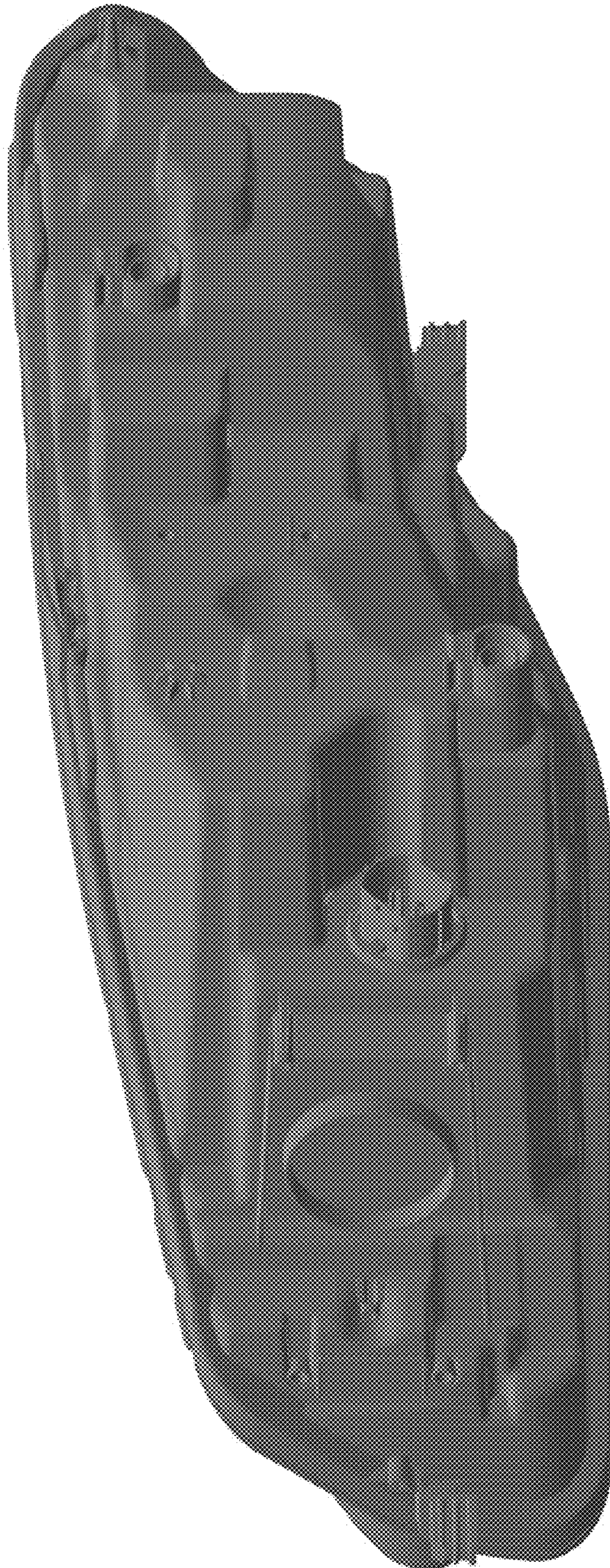


FIG. 3

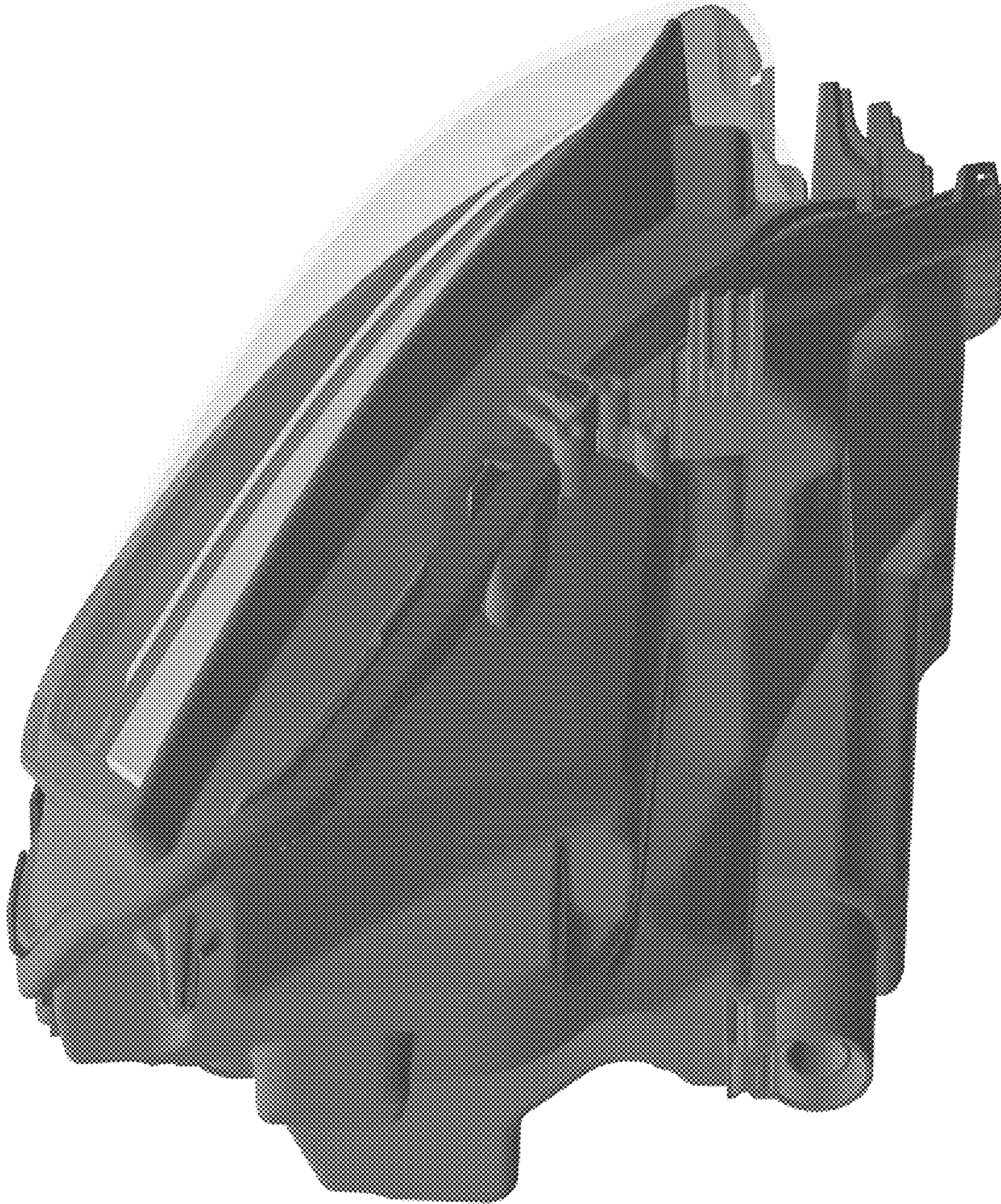


FIG. 4

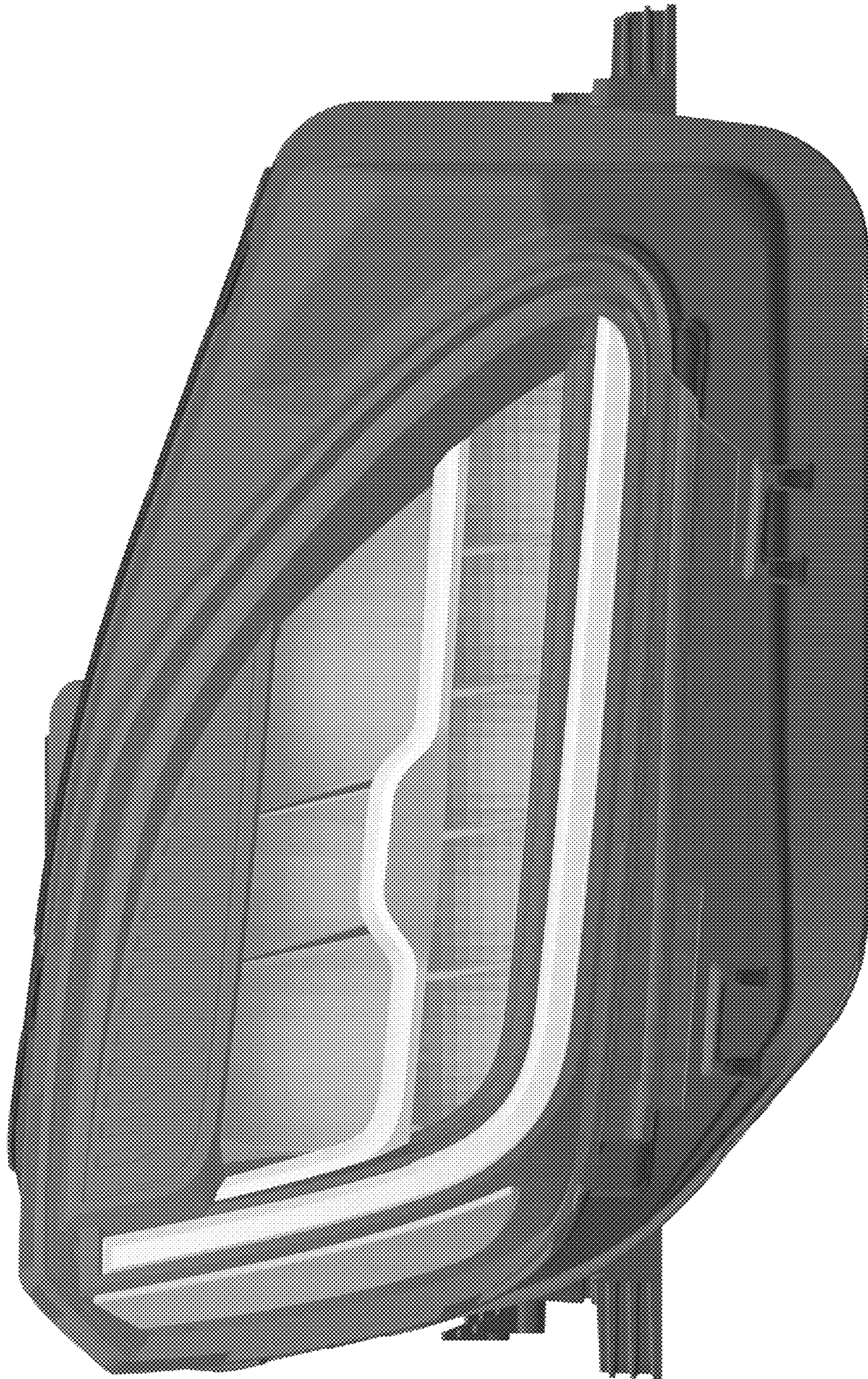


FIG. 5

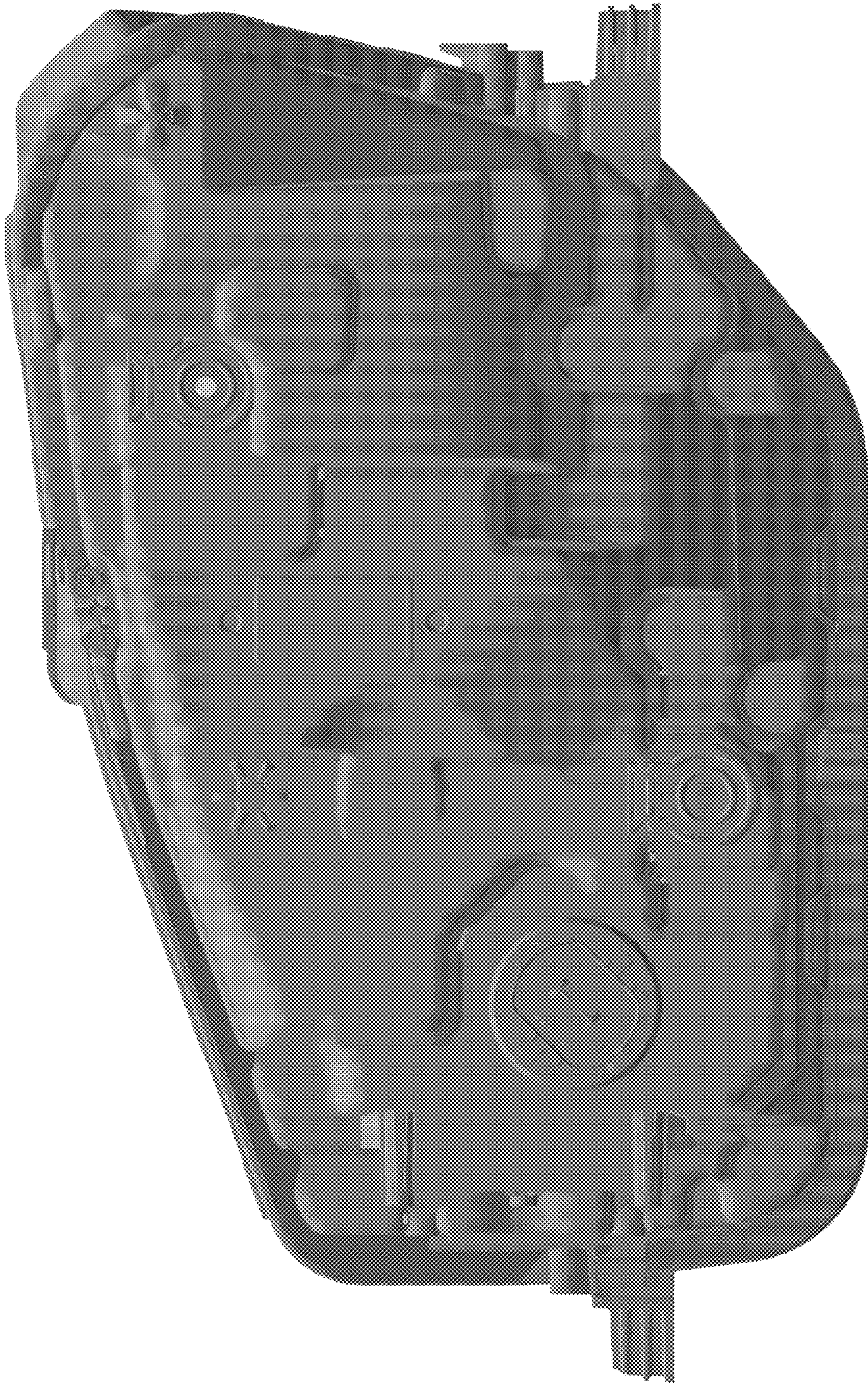


FIG. 6

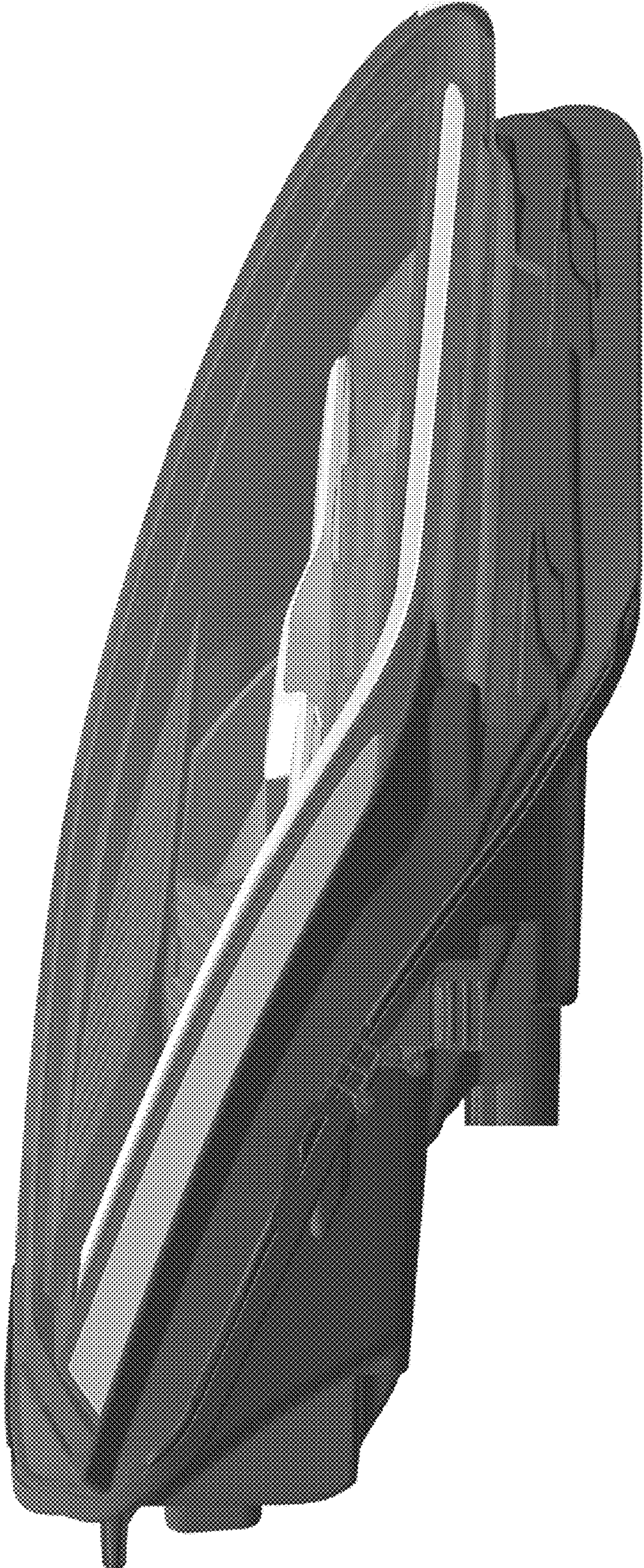


FIG. 7

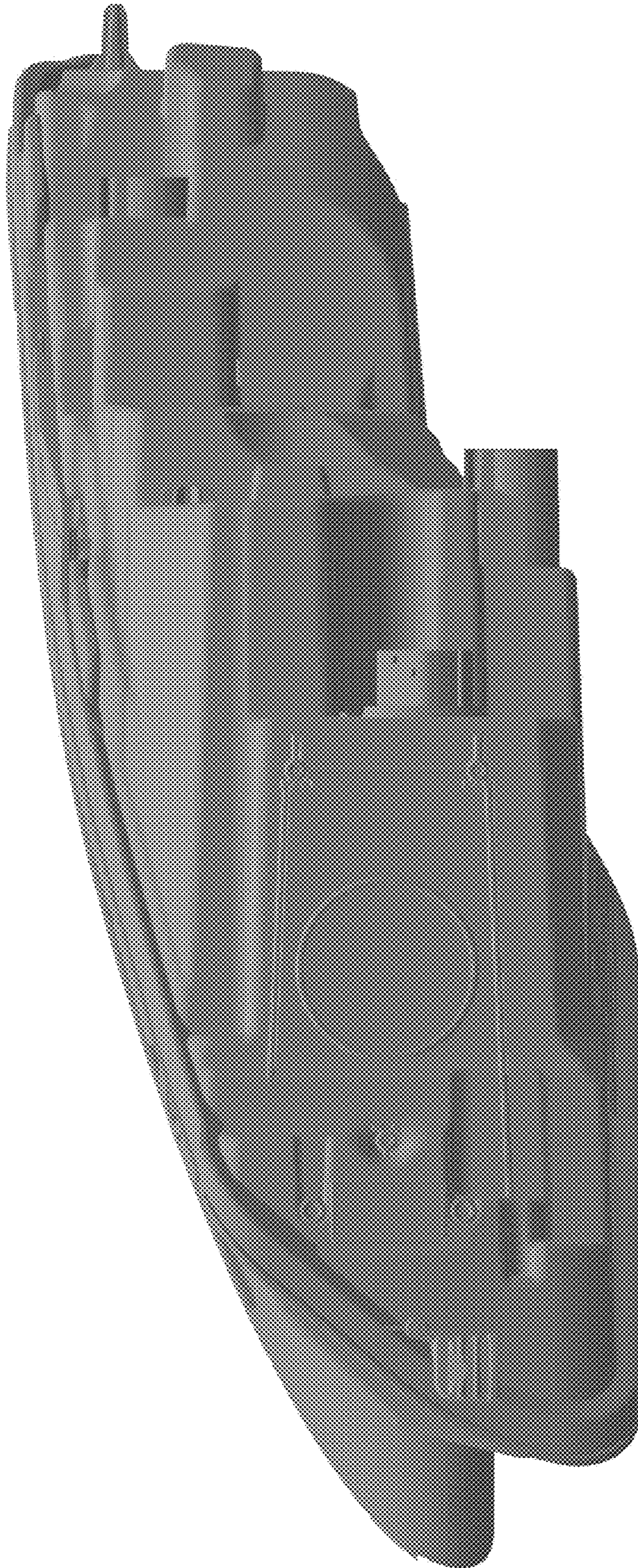


FIG. 8

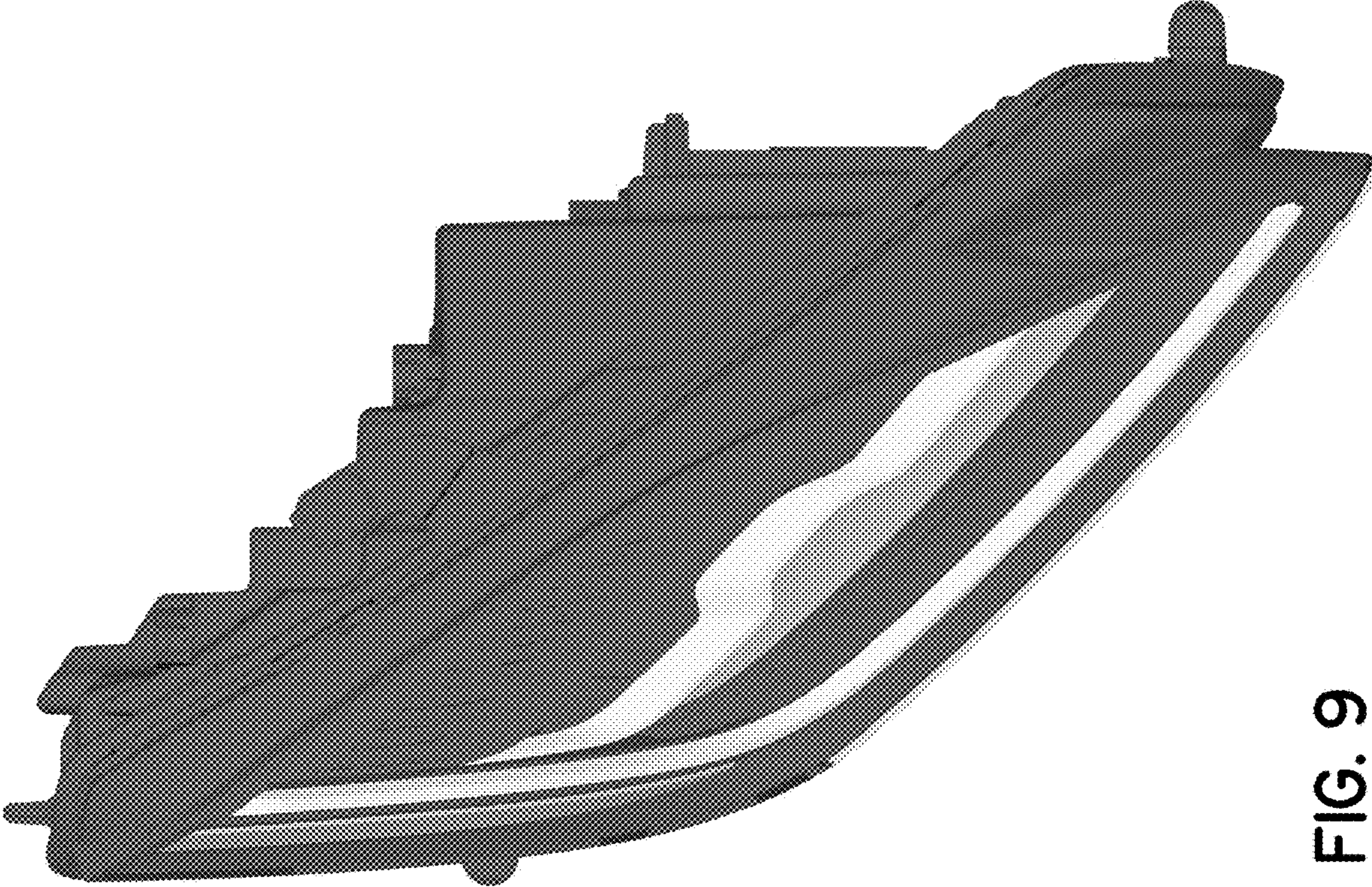


FIG. 9

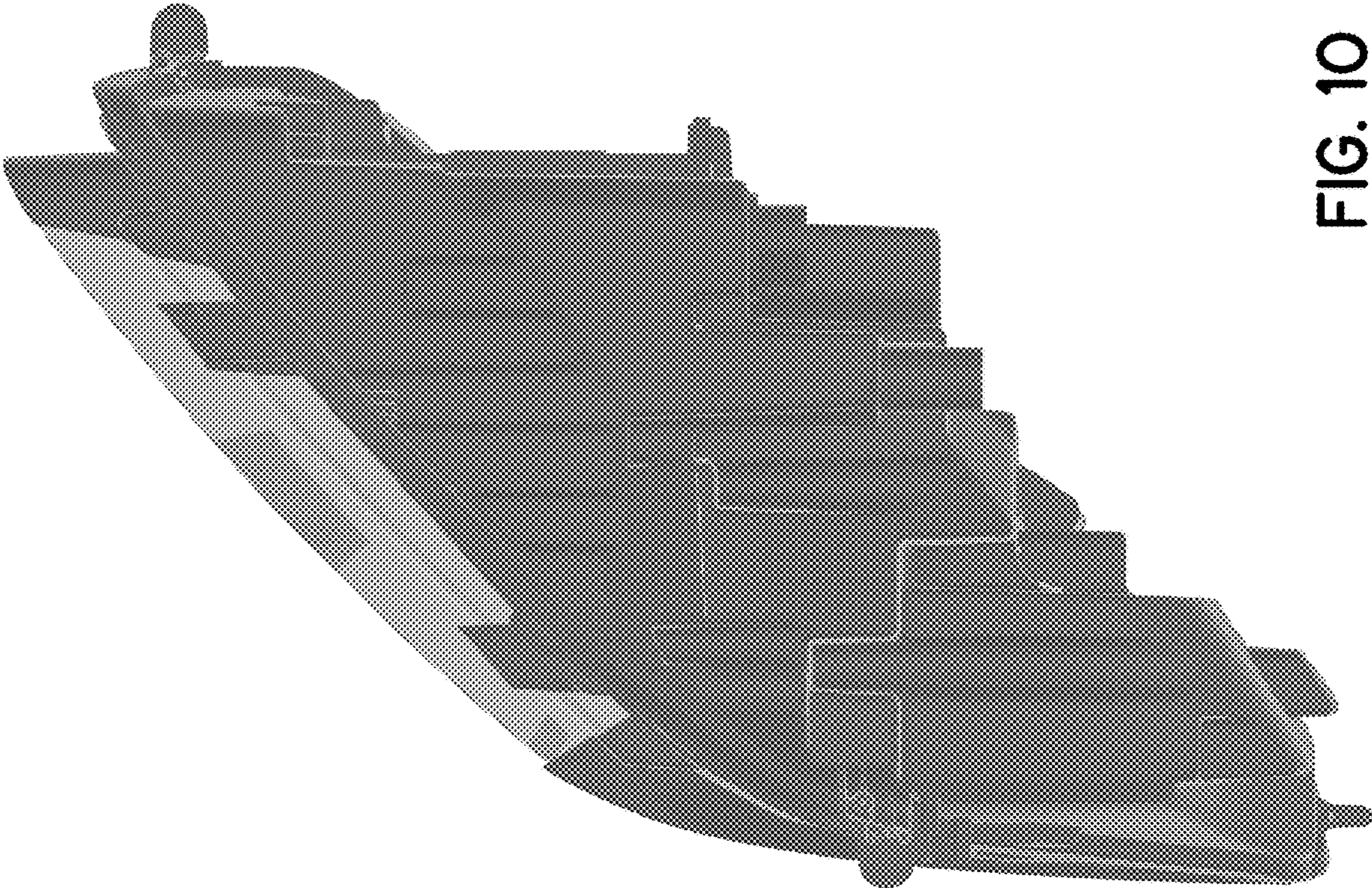


FIG. 10