



US00D917747S

(12) **United States Design Patent**
Wu

(10) **Patent No.:** **US D917,747 S**

(45) **Date of Patent:** **** Apr. 27, 2021**

(54) **VEHICLE LIGHT**

(71) Applicant: **COPLUS INC.**, Tainan (TW)

(72) Inventor: **Po-Hua Wu**, Tainan (TW)

(73) Assignee: **Coplus Inc.**, Tainan (TW)

(**) Term: **15 Years**

(21) Appl. No.: **29/709,581**

(22) Filed: **Oct. 15, 2019**

(30) **Foreign Application Priority Data**

Aug. 7, 2019 (TW) 108304691

(51) **LOC (13) Cl.** **26-06**

(52) **U.S. Cl.**
USPC **D26/28**

(58) **Field of Classification Search**

USPC D26/28-36, 139

CPC F21S 48/00; F21S 48/10; F21S 48/115;

F21S 48/225; F21S 48/1233; F21S

48/1266; F21S 48/1388; F21S 48/2268;

F21V 5/00; B60Q 9/13; B60Q 9/135;

B60Q 9/1375; F21K 9/00; F21K 13/00

See application file for complete search history.

(56) **References Cited**

U.S. PATENT DOCUMENTS

D566,307 S * 4/2008 Hsu D26/28

D567,970 S * 4/2008 Hsu D26/28

D582,072 S * 12/2008 Yang D26/28

D737,484 S * 8/2015 Lai D26/28

D744,677 S * 12/2015 Lai D26/28

D831,246 S * 10/2018 Yang D26/28

D841,207 S * 2/2019 Yang D26/28

D853,000 S * 7/2019 Lin D26/28

* cited by examiner

Primary Examiner — Marcus A Jackson

(74) *Attorney, Agent, or Firm* — Lewis Roca Rothgerber
Christie LLP

(57) **CLAIM**

The ornamental design for a vehicle light, as shown and described.

DESCRIPTION

FIG. 1 is a perspective view of the vehicle light;

FIG. 2 is a front view thereof;

FIG. 3 is a back view thereof;

FIG. 4 is a left-side view thereof;

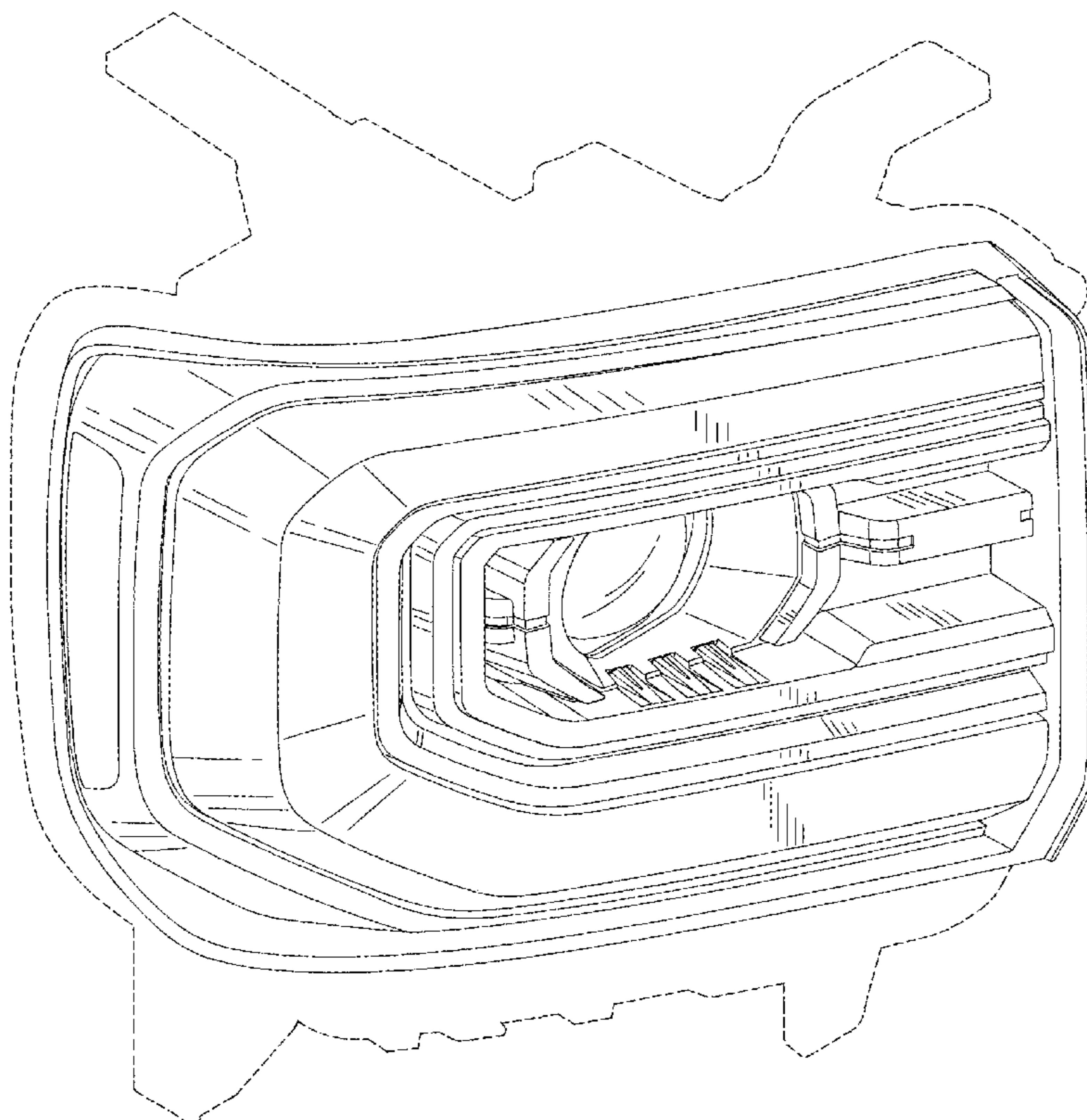
FIG. 5 is a right-side view thereof;

FIG. 6 is a top view thereof; and,

FIG. 7 is a bottom view thereof.

The broken lines in the drawings depict portions of the article that form no part of the claimed design.

1 Claim, 7 Drawing Sheets



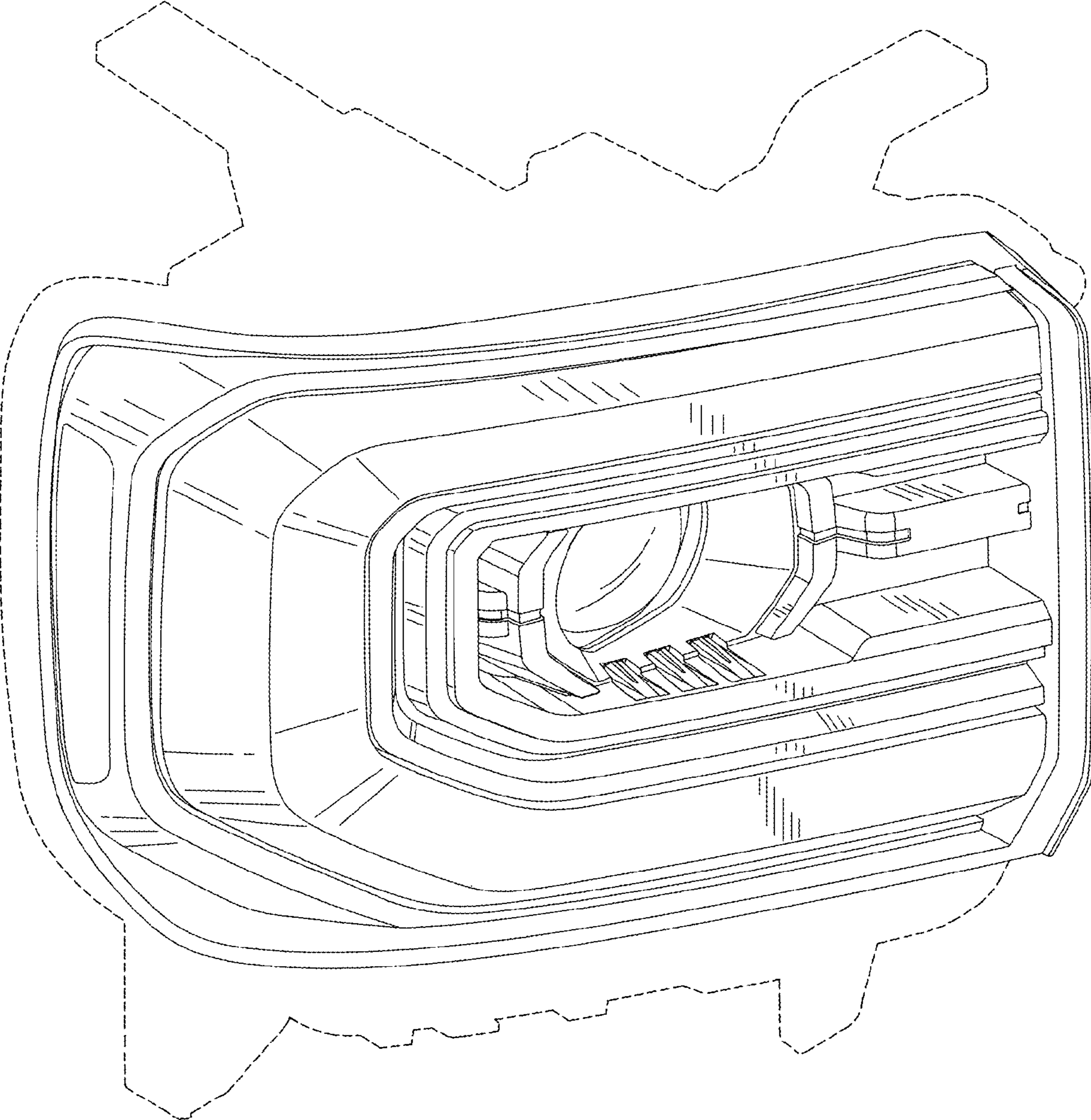


FIG. 1

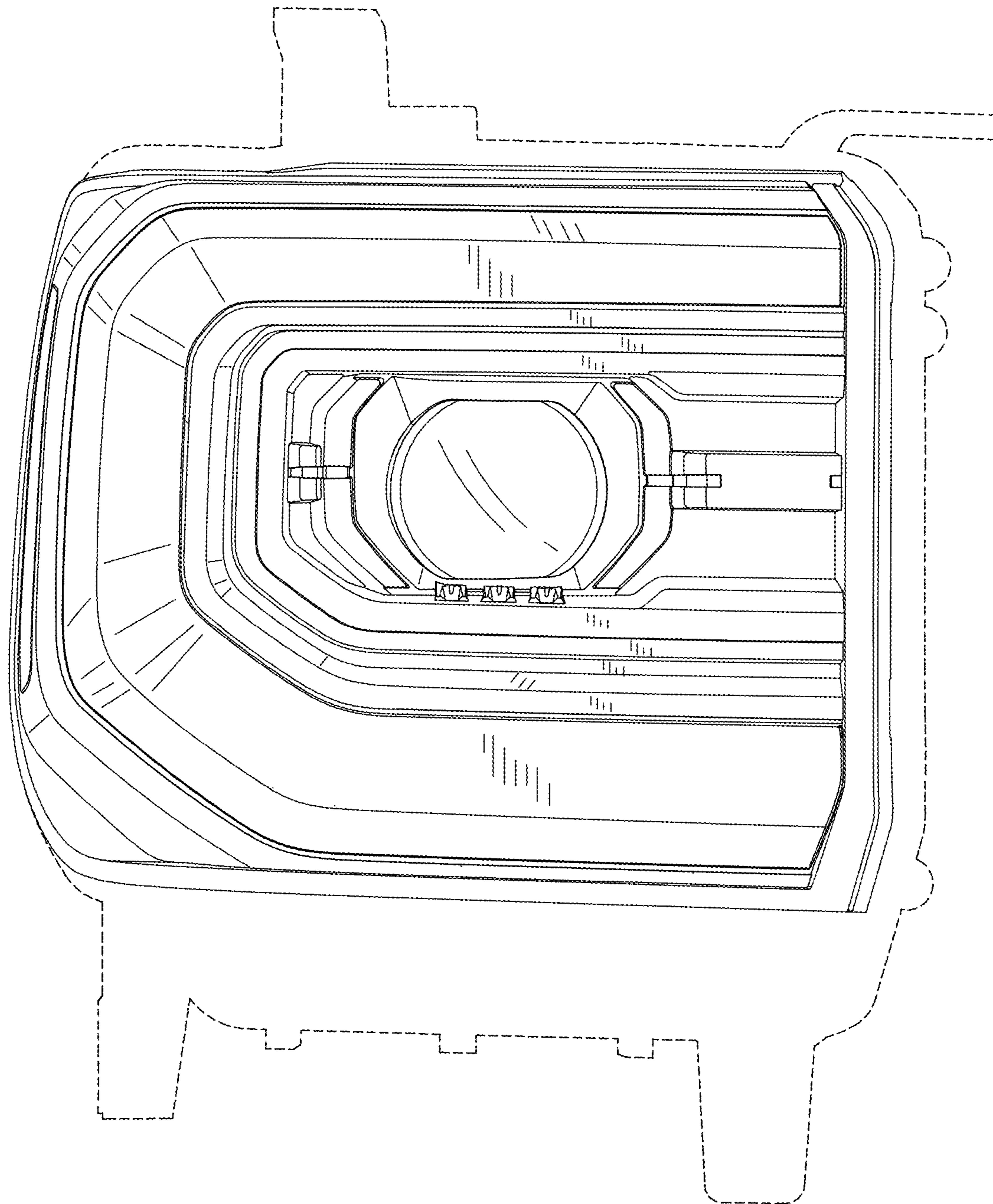


FIG. 2

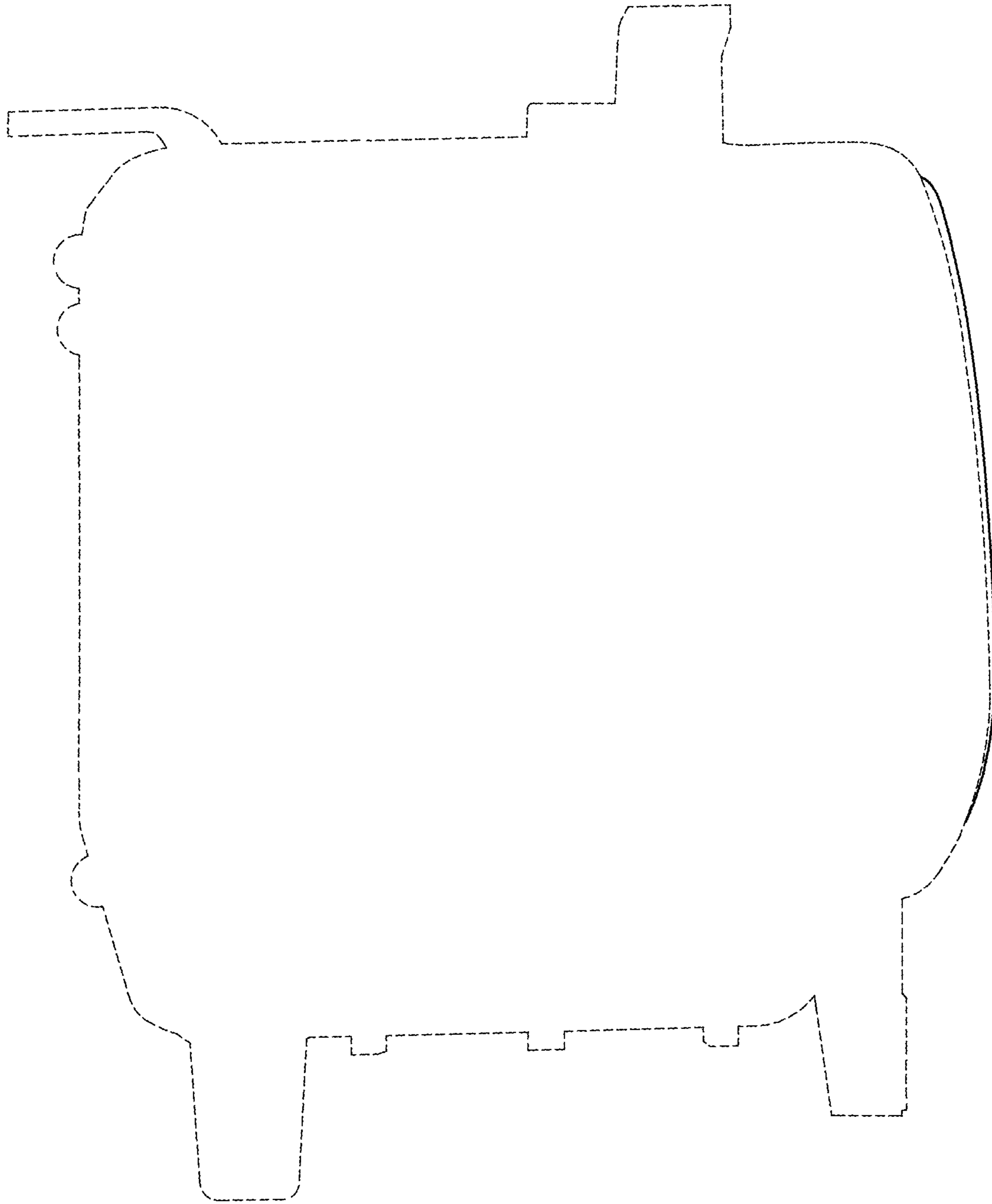


FIG. 3

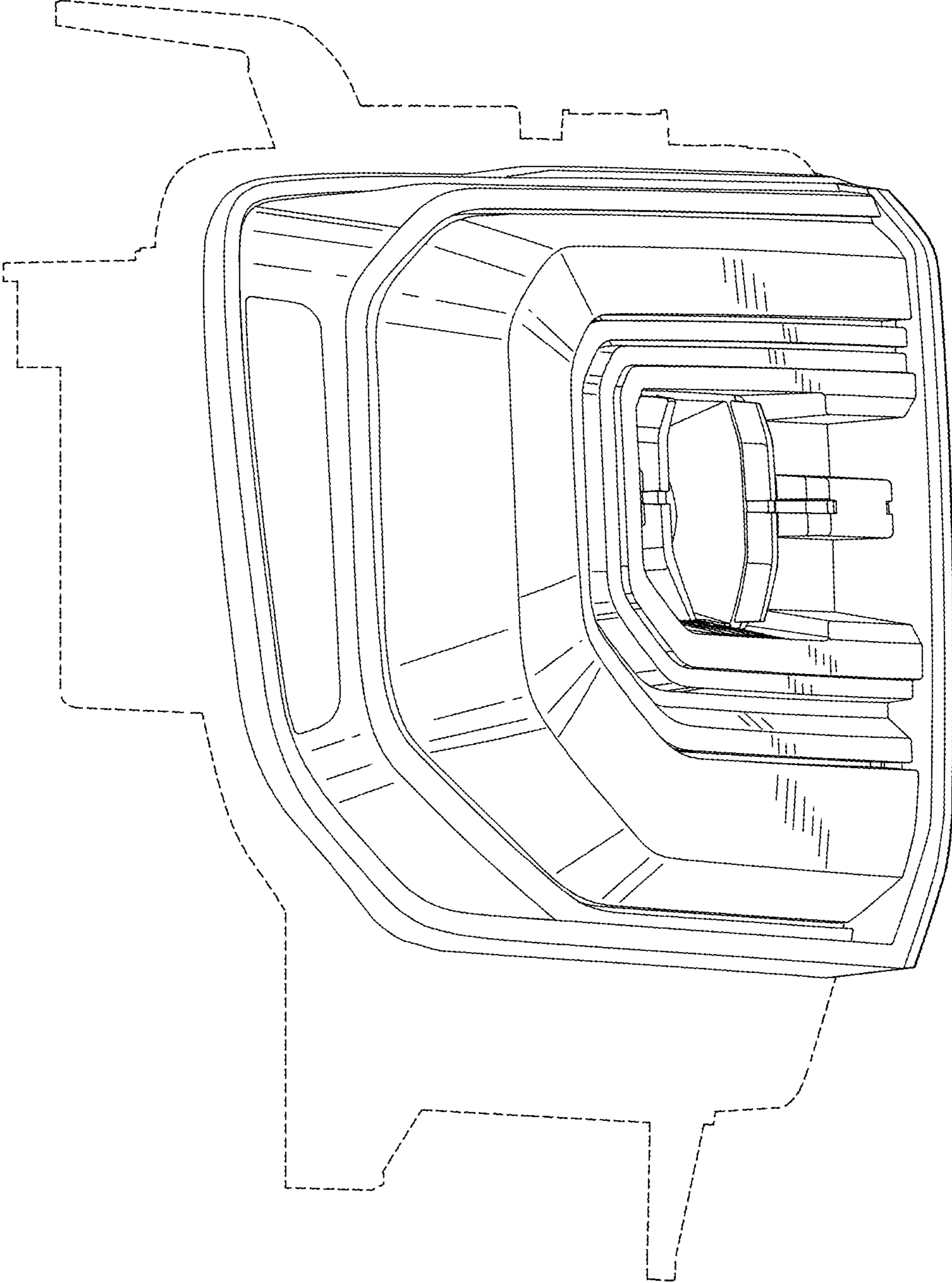


FIG. 4

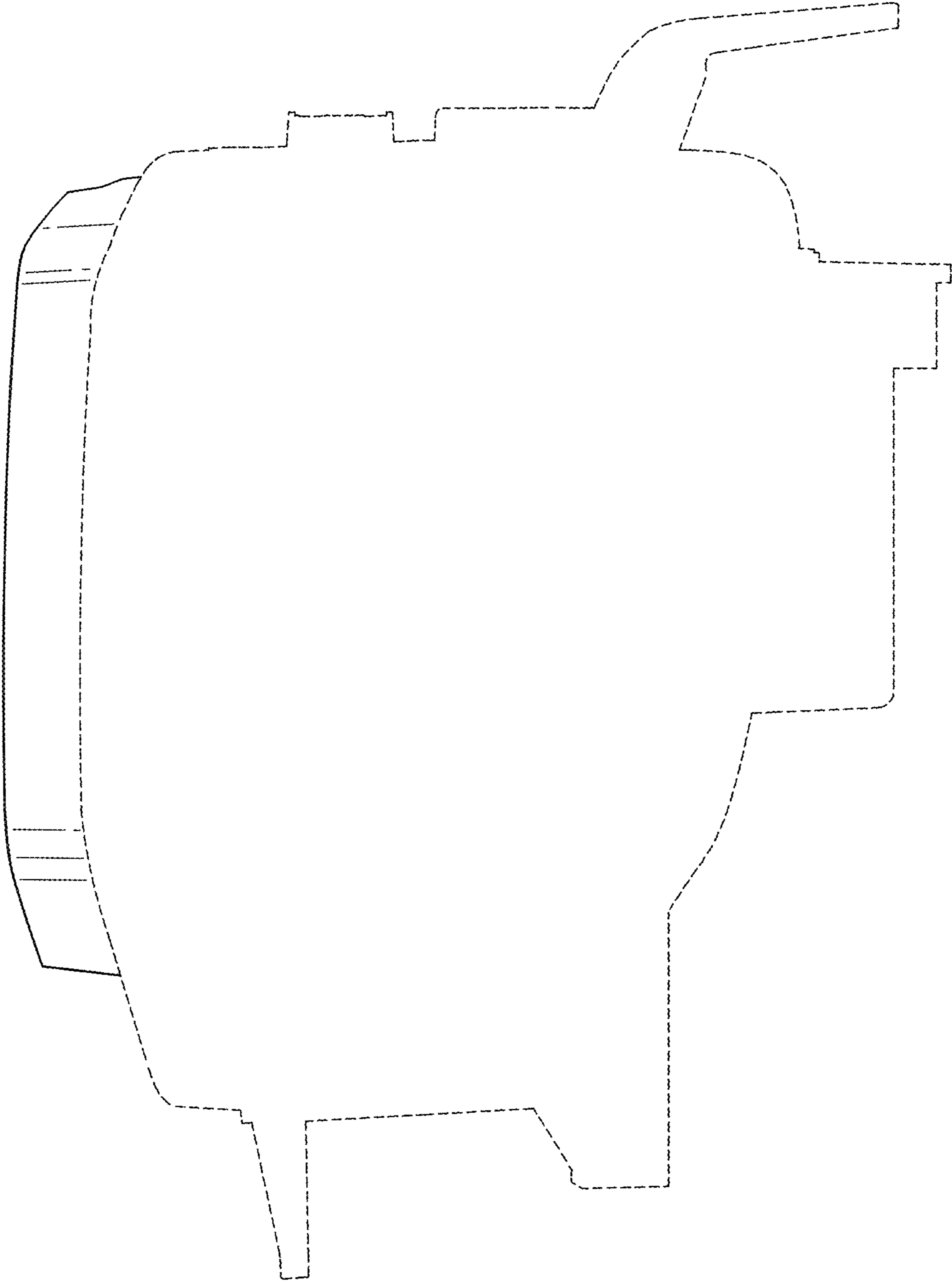


FIG. 5

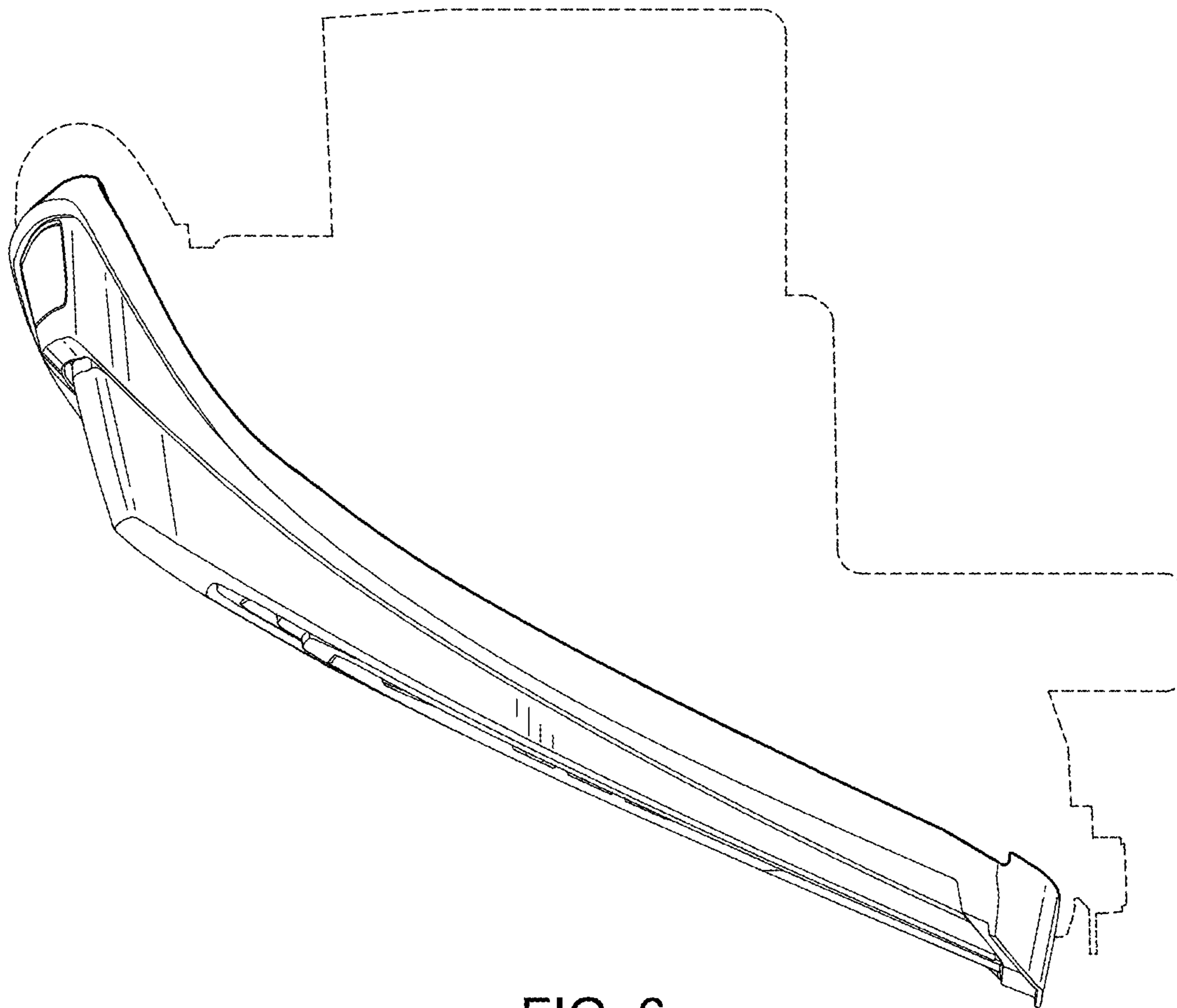


FIG. 6

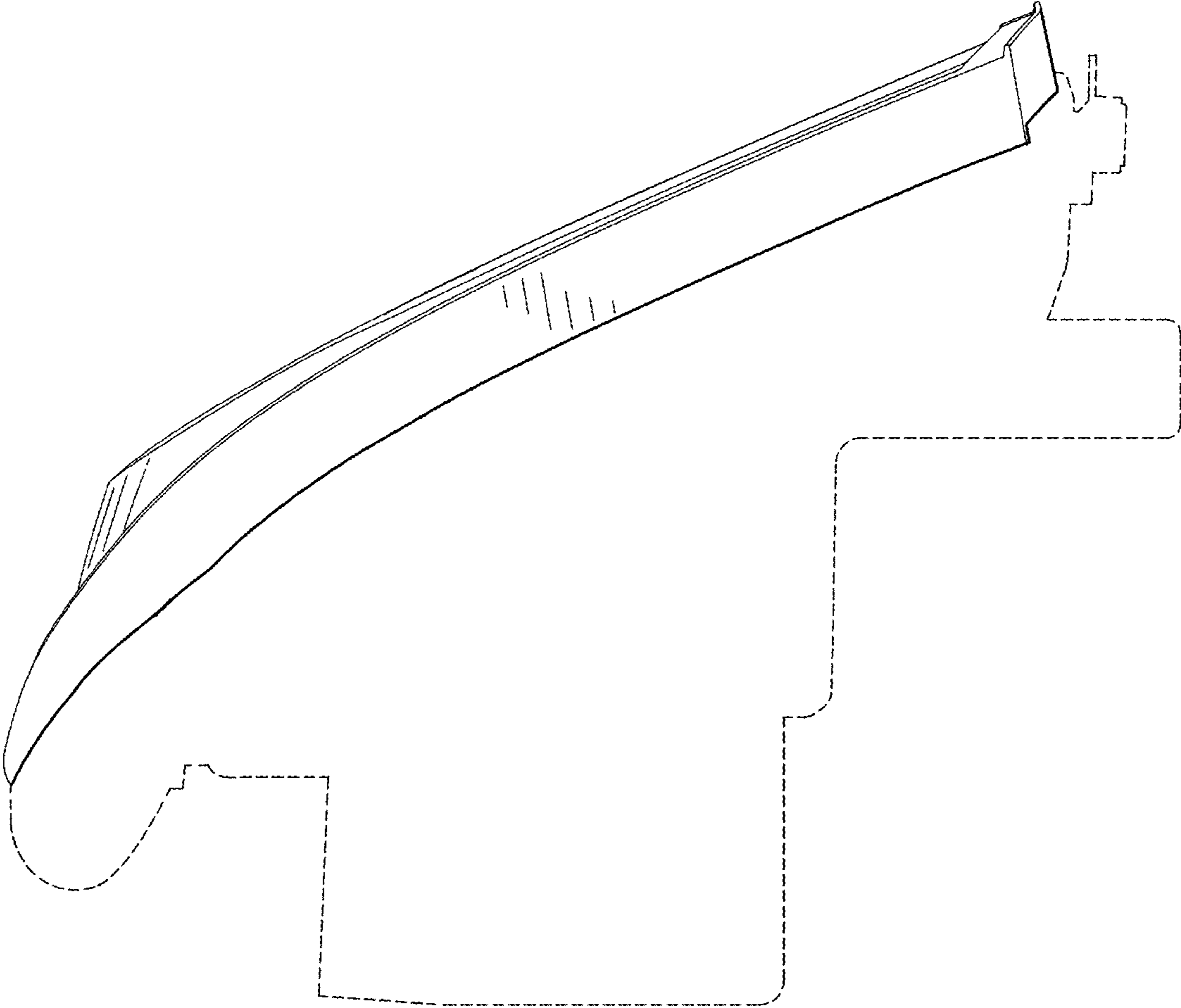


FIG. 7