



US00D917746S

(12) **United States Design Patent**
Wu

(10) **Patent No.:** **US D917,746 S**
(45) **Date of Patent:** **** Apr. 27, 2021**

- (54) **VEHICLE LIGHT**
- (71) Applicant: **COPLUS INC.**, Tainan (TW)
- (72) Inventor: **Po-Hua Wu**, Tainan (TW)
- (73) Assignee: **Coplus Inc.**, Tainan (TW)
- (**) Term: **15 Years**
- (21) Appl. No.: **29/709,578**
- (22) Filed: **Oct. 15, 2019**

D582,072 S *	12/2008	Yang	D26/28
D737,484 S *	8/2015	Lai	D26/28
D744,677 S *	12/2015	Lai	D26/28
D831,245 S *	10/2018	Lin	D26/28
D831,246 S *	10/2018	Yang	D26/28
D841,207 S *	2/2019	Yang	D26/28
D853,000 S *	7/2019	Lin	D26/28

* cited by examiner

Primary Examiner — Marcus A. Jackson

(74) *Attorney, Agent, or Firm* — Lewis Roca Rothgerber Christie LLP

(30) **Foreign Application Priority Data**

Aug. 7, 2019 (TW) 108304692

(51) **LOC (13) Cl.** **26-06**

(52) **U.S. Cl.**
USPC **D26/28**

(58) **Field of Classification Search**

USPC D26/28-36, 139

CPC F21S 48/00; F21S 48/10; F21S 48/115;

F21S 48/225; F21S 48/1233; F21S

48/1266; F21S 48/1388; F21S 48/2268;

F21V 5/00; B60Q 9/13; B60Q 9/135;

B60Q 9/1375; F21K 9/00; F21K 13/00

See application file for complete search history.

(56) **References Cited**

U.S. PATENT DOCUMENTS

D566,307 S * 4/2008 Hsu D26/28

D567,970 S * 4/2008 Hsu D26/28

(57) **CLAIM**

The ornamental design for a vehicle light, as shown and described.

DESCRIPTION

FIG. 1 is a perspective view of the vehicle light;

FIG. 2 is a front view thereof;

FIG. 3 is a back view thereof;

FIG. 4 is a left-side view thereof;

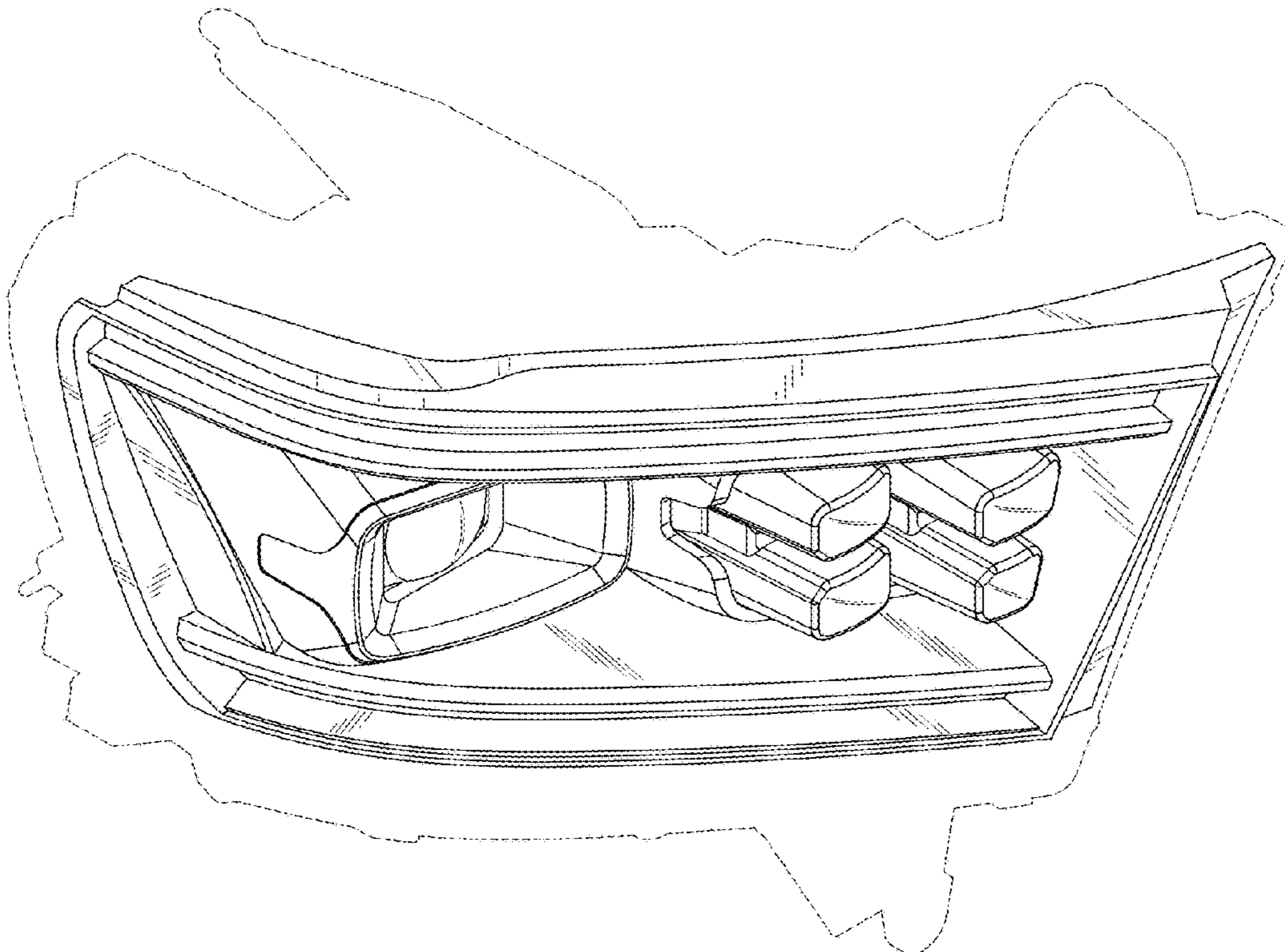
FIG. 5 is a right-side view thereof;

FIG. 6 is a top view thereof; and,

FIG. 7 is a bottom view thereof.

The broken lines in the drawings depict portions of the article that form no part of the claimed design.

1 Claim, 7 Drawing Sheets



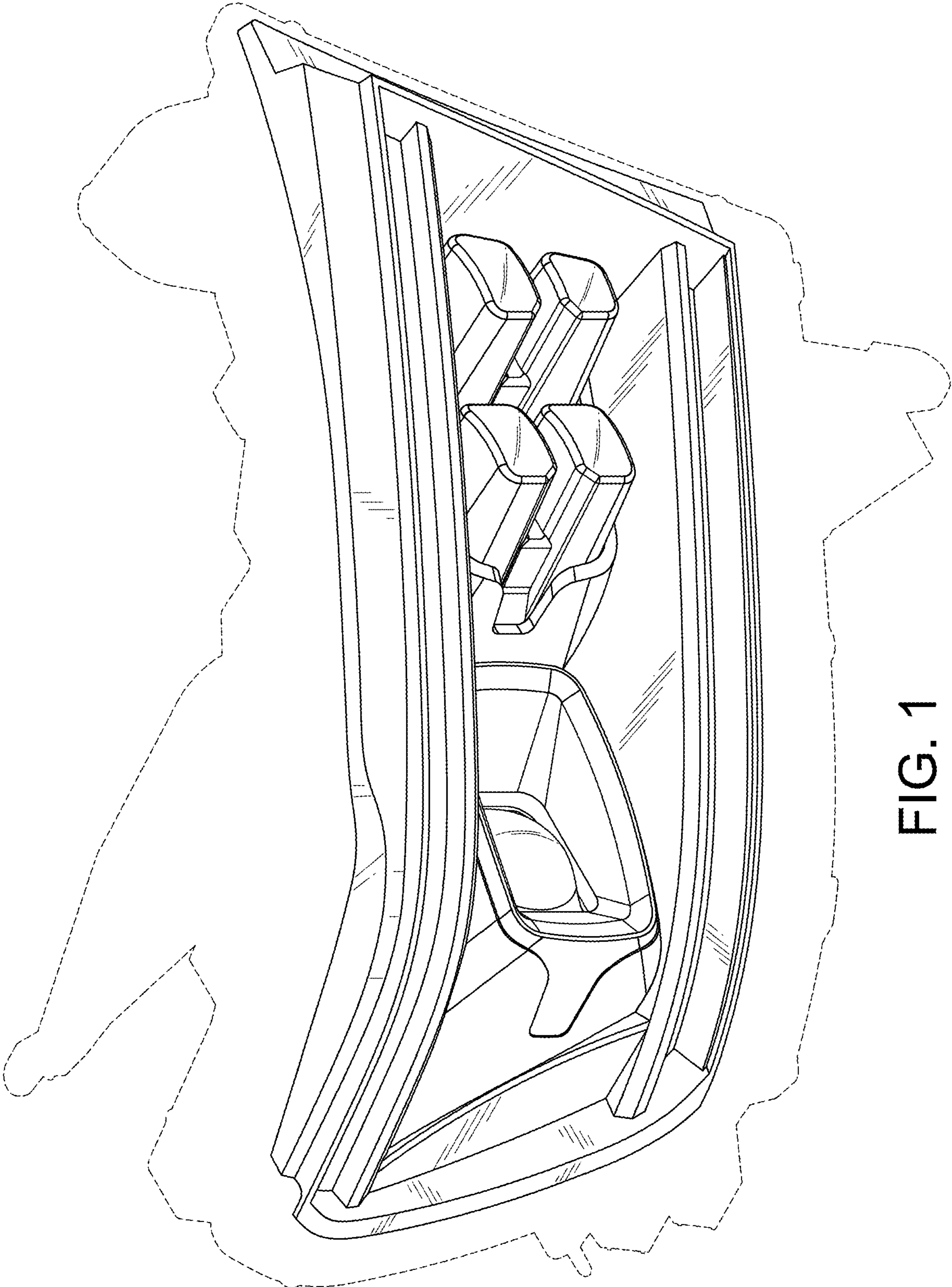


FIG. 1

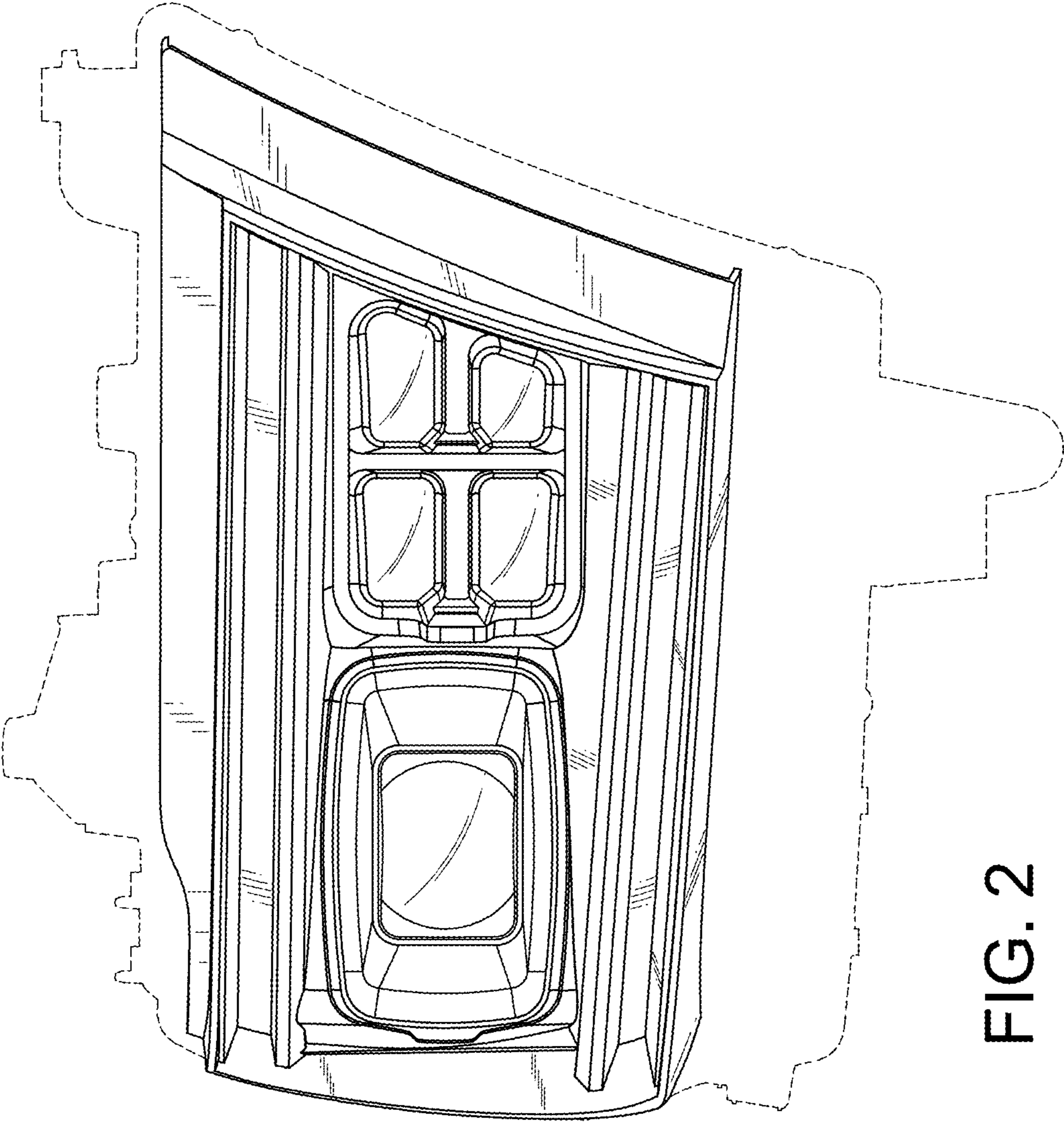


FIG. 2

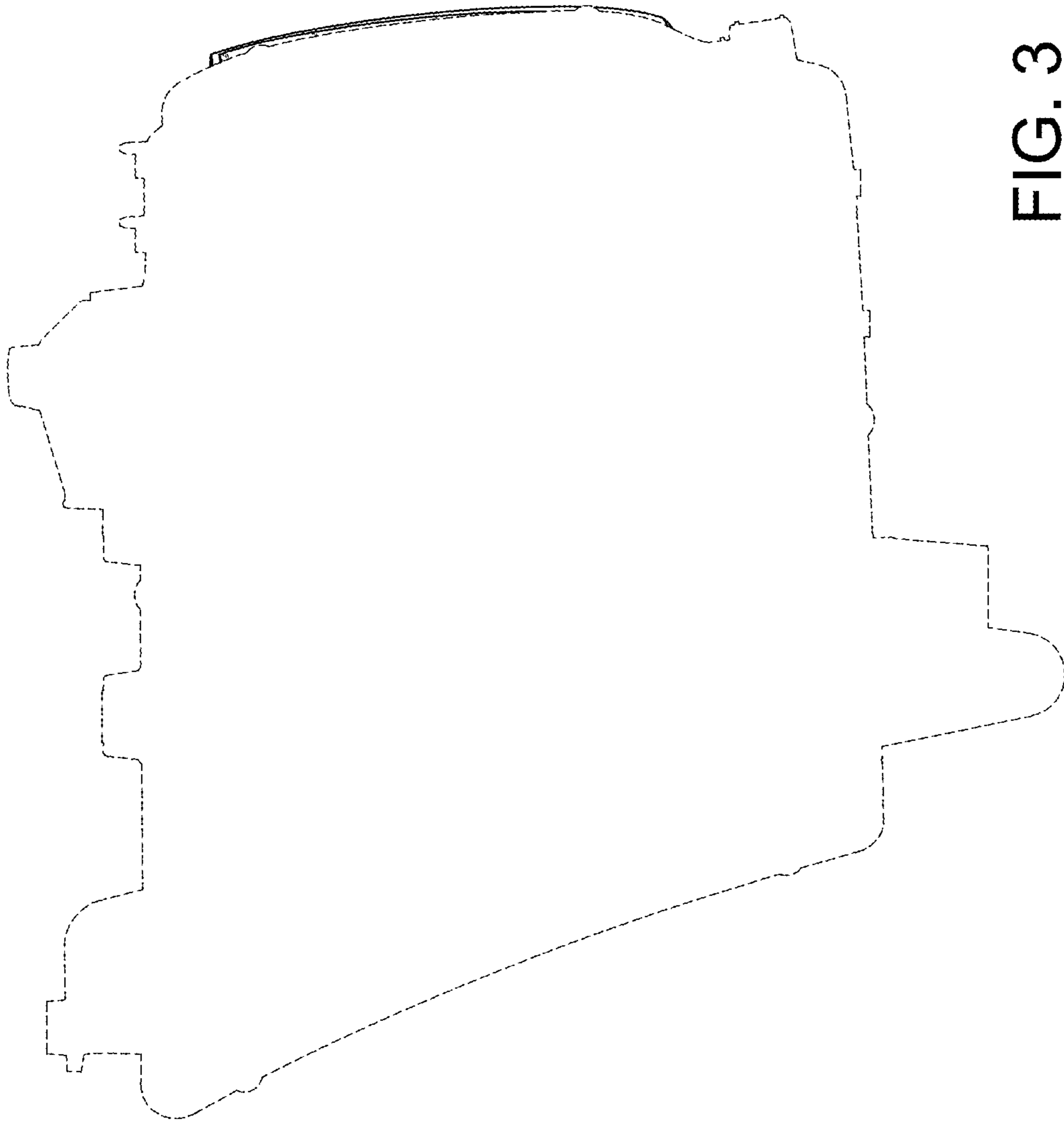


FIG. 3

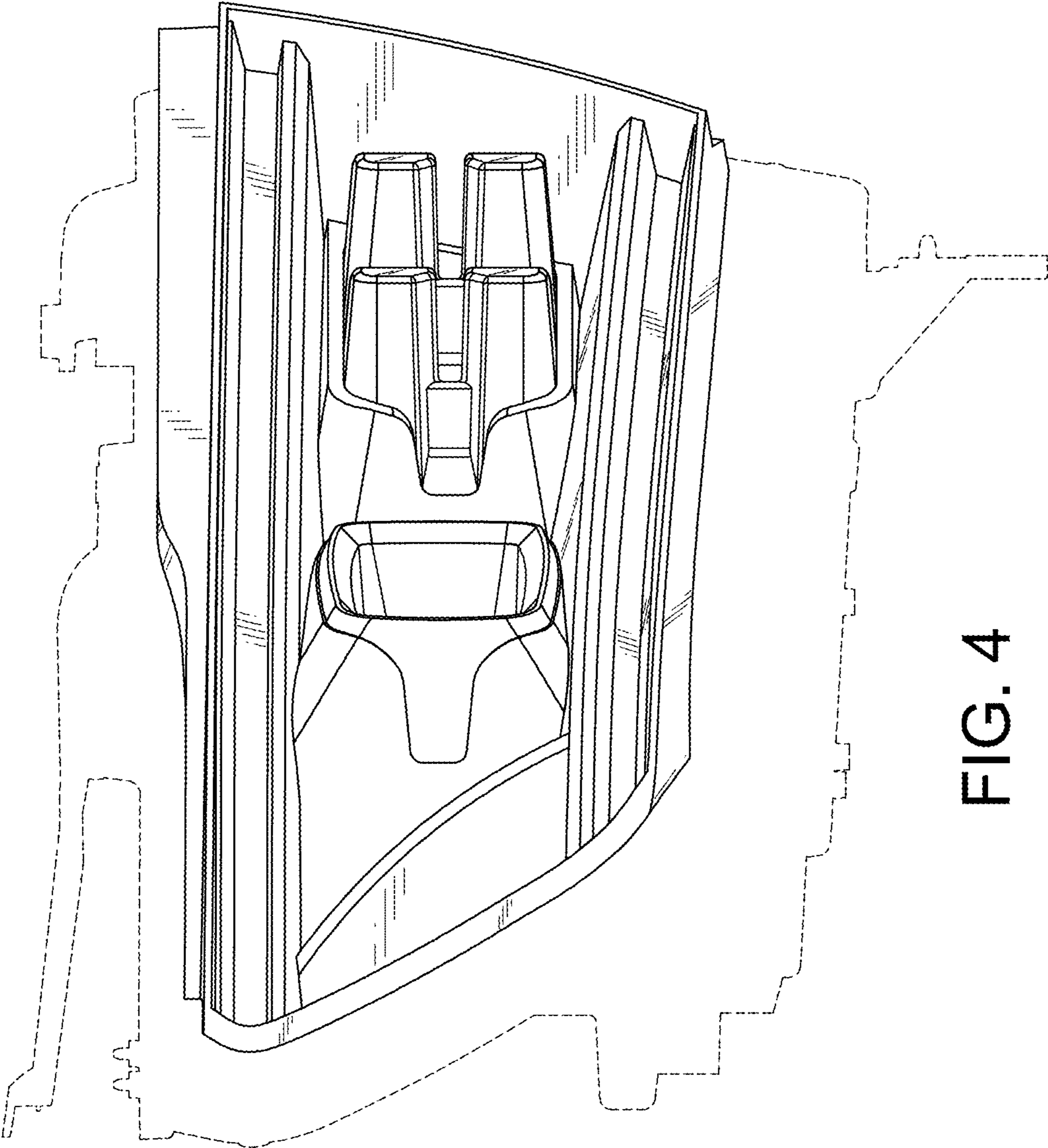


FIG. 4

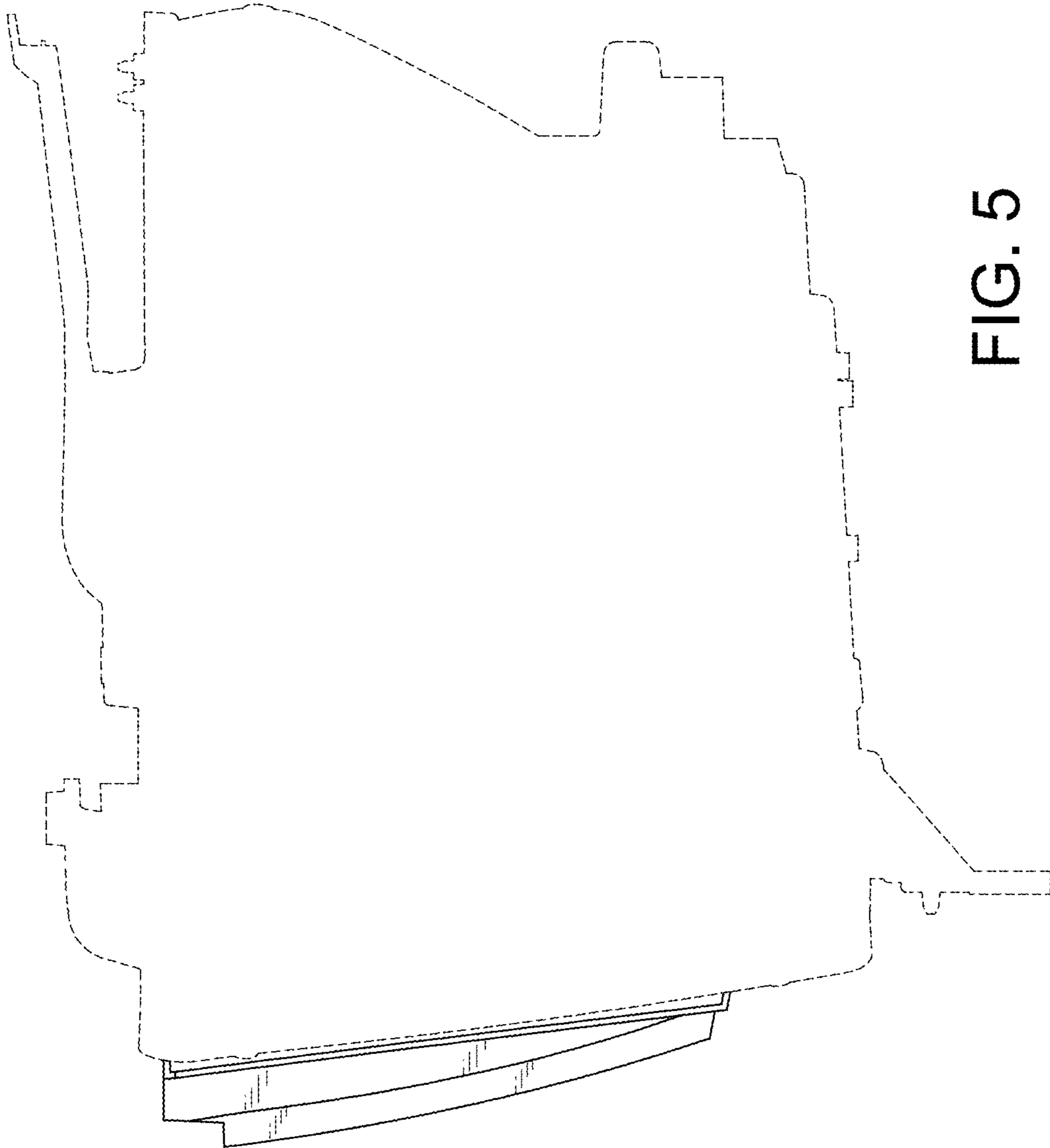


FIG. 5

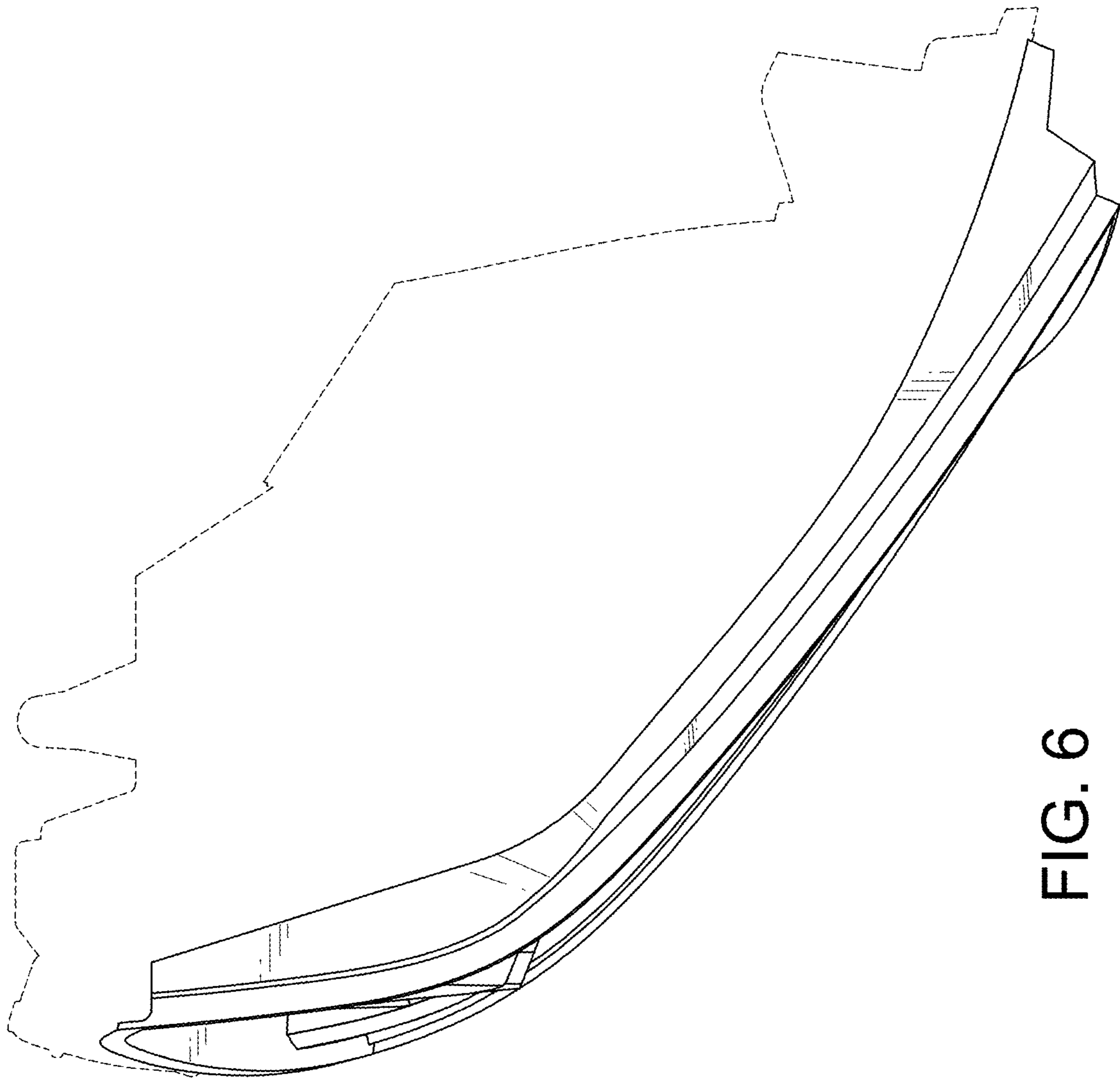


FIG. 6

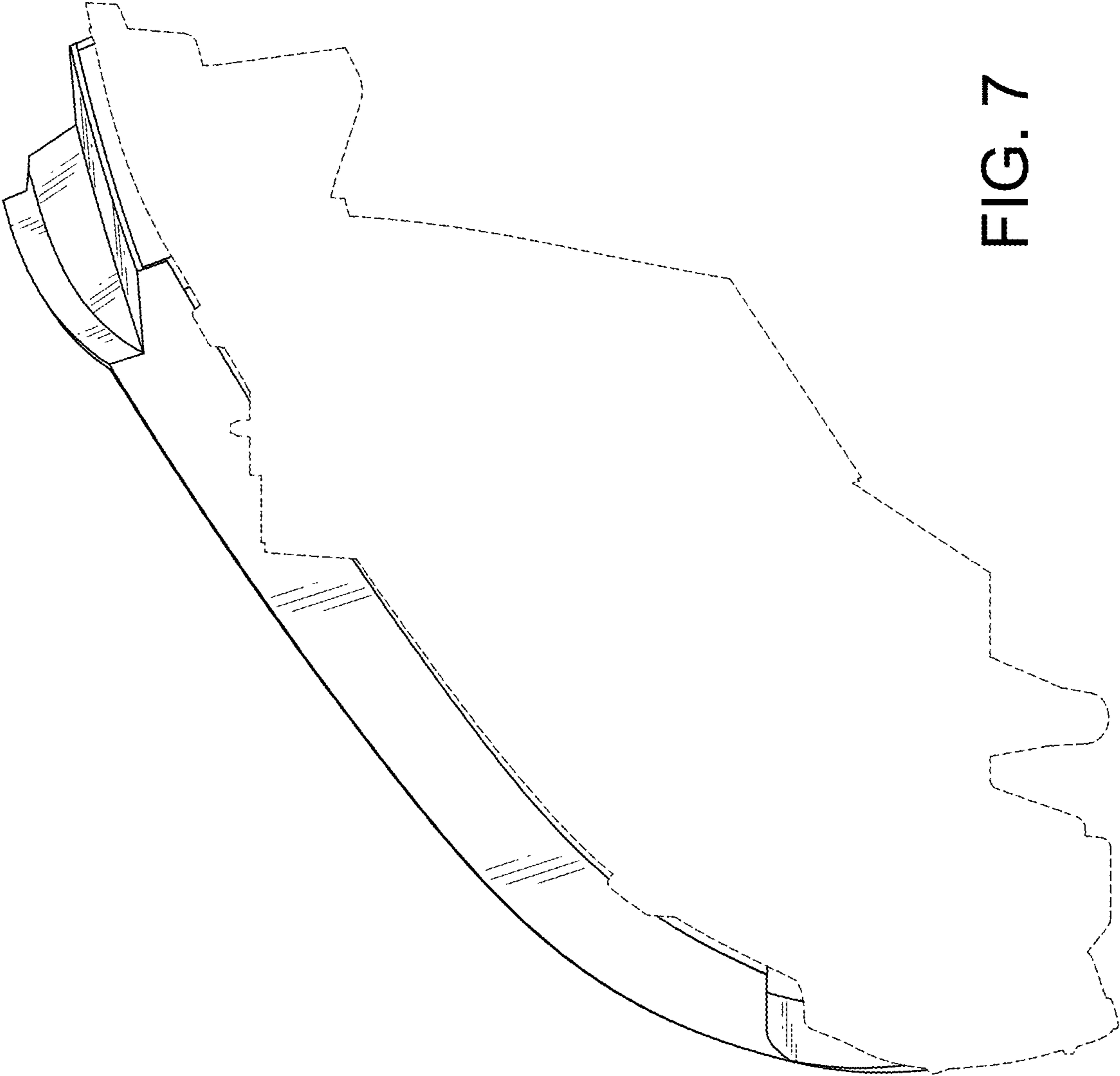


FIG. 7