



US00D917744S

(12) **United States Design Patent** (10) **Patent No.:** **US D917,744 S**  
**Hirata et al.** (45) **Date of Patent:** **\*\* Apr. 27, 2021**

(54) **REAR COMBINATION LAMP FOR AN AUTOMOBILE**

D842,508 S \* 3/2019 Kim ..... D26/28  
D871,622 S \* 12/2019 Jobling ..... D26/28  
D871,623 S \* 12/2019 Tovey ..... D26/28

(71) Applicant: **Nissan Motor Co., Ltd.**, Kanagawa (JP)

\* cited by examiner

(72) Inventors: **Yusuke Hirata**, Kanagawa (JP); **Youhei Shimizu**, Kanagawa (JP); **Koji Wakabayashi**, Kanagawa (JP)

*Primary Examiner* — Marcus A Jackson

(74) *Attorney, Agent, or Firm* — Global IP Counselors, LLP

(73) Assignee: **Nissan Motor Co., Ltd.**, Yokohama (JP)

(57) **CLAIM**

The ornamental design for a rear combination lamp for an automobile, as shown and described.

(\*\*) Term: **15 Years**

**DESCRIPTION**

(21) Appl. No.: **29/709,094**

(22) Filed: **Oct. 11, 2019**

(30) **Foreign Application Priority Data**

Apr. 12, 2019 (JP) ..... 2019-008086

(51) **LOC (13) Cl.** ..... **26-06**

(52) **U.S. Cl.**  
USPC ..... **D26/28**

(58) **Field of Classification Search**  
USPC ..... D26/28-36, 139  
CPC ..... F21S 48/00; F21S 48/10; F21S 48/115;  
F21S 48/225; F21S 48/1233; F21S 48/1266; F21S 48/1388; F21S 48/2268;  
F21V 5/00; B60Q 9/13; B60Q 9/135; B60Q 9/1375; F21K 9/00; F21K 13/00  
See application file for complete search history.

FIG. 1 is a front elevational view of a rear combination lamp for an automobile in accordance with a first embodiment of our new design;  
FIG. 2 is a rear elevational view thereof;  
FIG. 3 is a top plan view thereof;  
FIG. 4 is a bottom plan view thereof;  
FIG. 5 is a left side elevational view thereof;  
FIG. 6 is a right side elevational view thereof; and,  
FIG. 7 is a front side perspective view thereof.

The rear combination lamp is configured to be mounted to an automobile. The mounting structure and support structure of the rear combination lamp, shown in broken lines in FIGS. 2 to 7, form no part of the claimed design since the mounting structure and support structure are hidden when the rear combination lamp is mounted to the automobile. In addition, the appearance of the rear side structures of the rear combination lamp as shown in broken lines in FIGS. 2 to 7 is for purpose of illustrating the boundaries of the exterior surface of the rear combination lamp, and forms no part of the claimed design. The rear combination lamp has a front lens that is transparent such that features behind the lens are at least partially visible as illustrated.

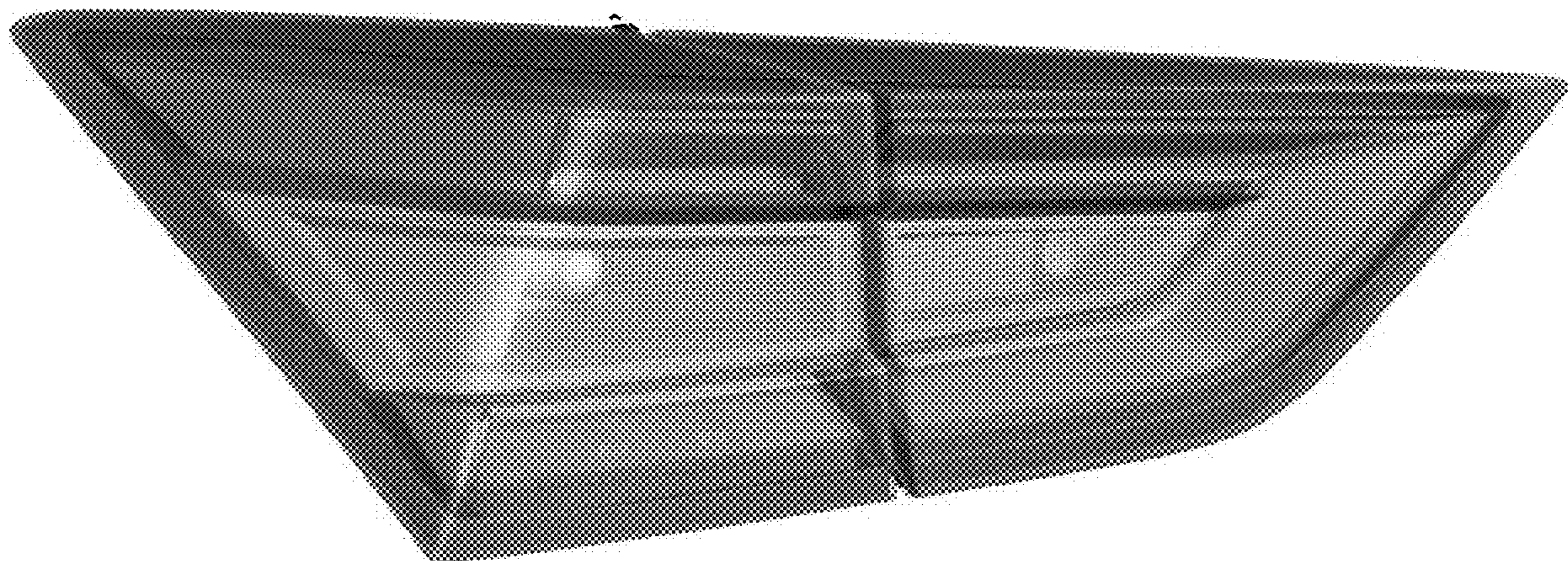
A second embodiment of our new design includes the mirror image of the rear combination lamp shown in FIGS. 1 to 7.

(56) **References Cited**

**U.S. PATENT DOCUMENTS**

D694,440 S \* 11/2013 Johnson ..... D26/28  
D750,300 S \* 2/2016 Frascella ..... D26/28  
D779,091 S \* 2/2017 Giolito ..... D26/28  
D791,378 S \* 7/2017 Lee ..... D26/28

**1 Claim, 7 Drawing Sheets**



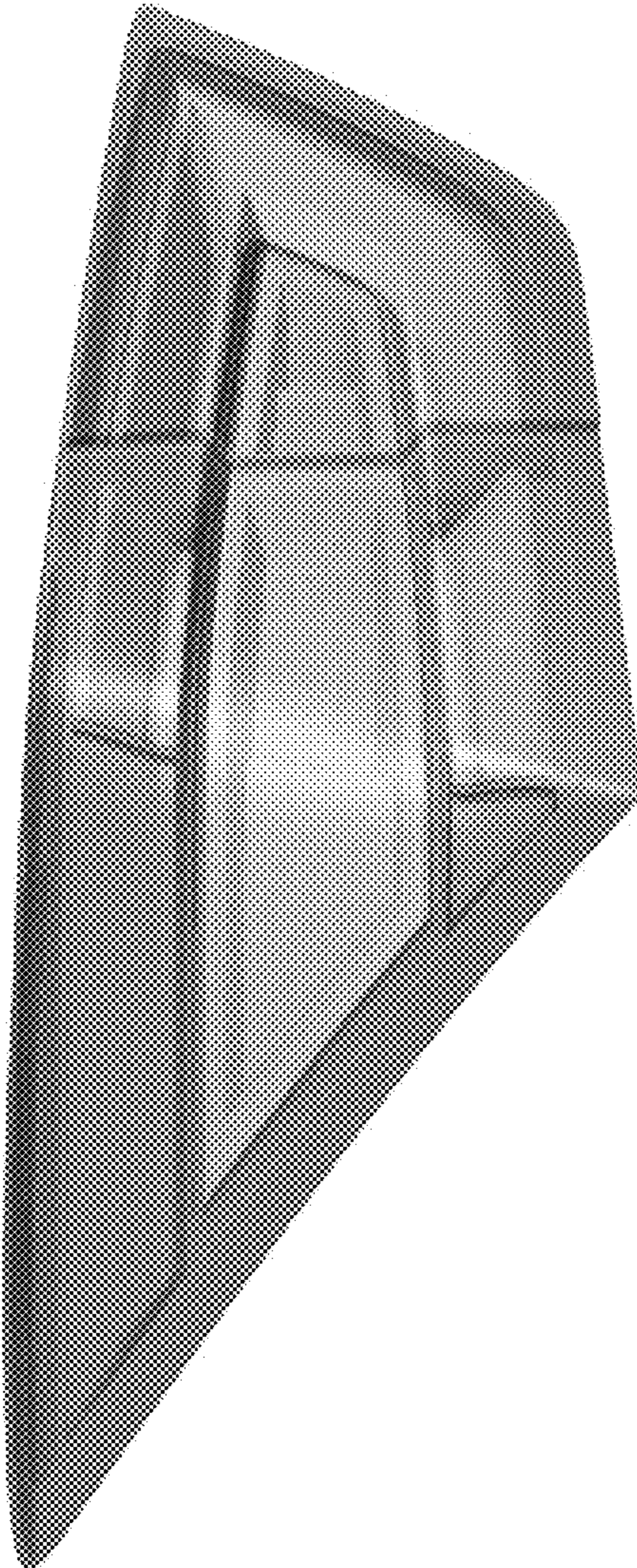


FIG. 1

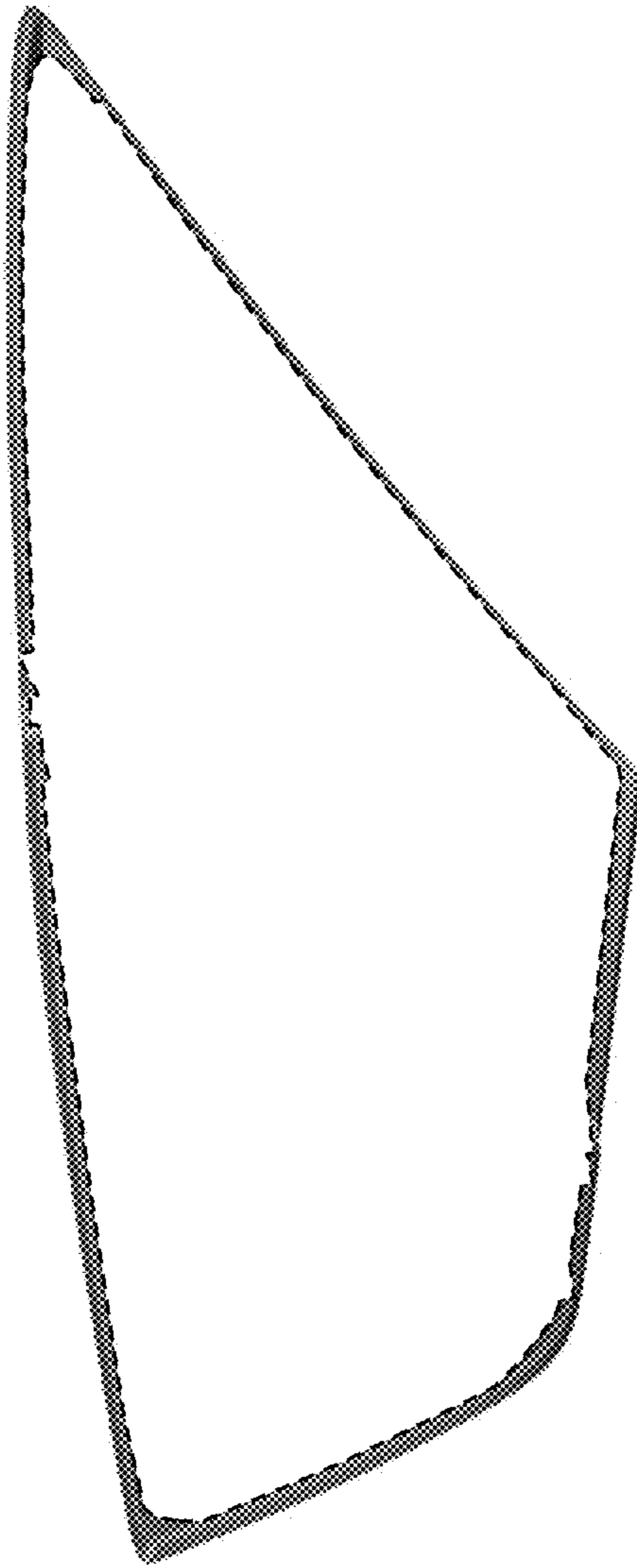


FIG. 2

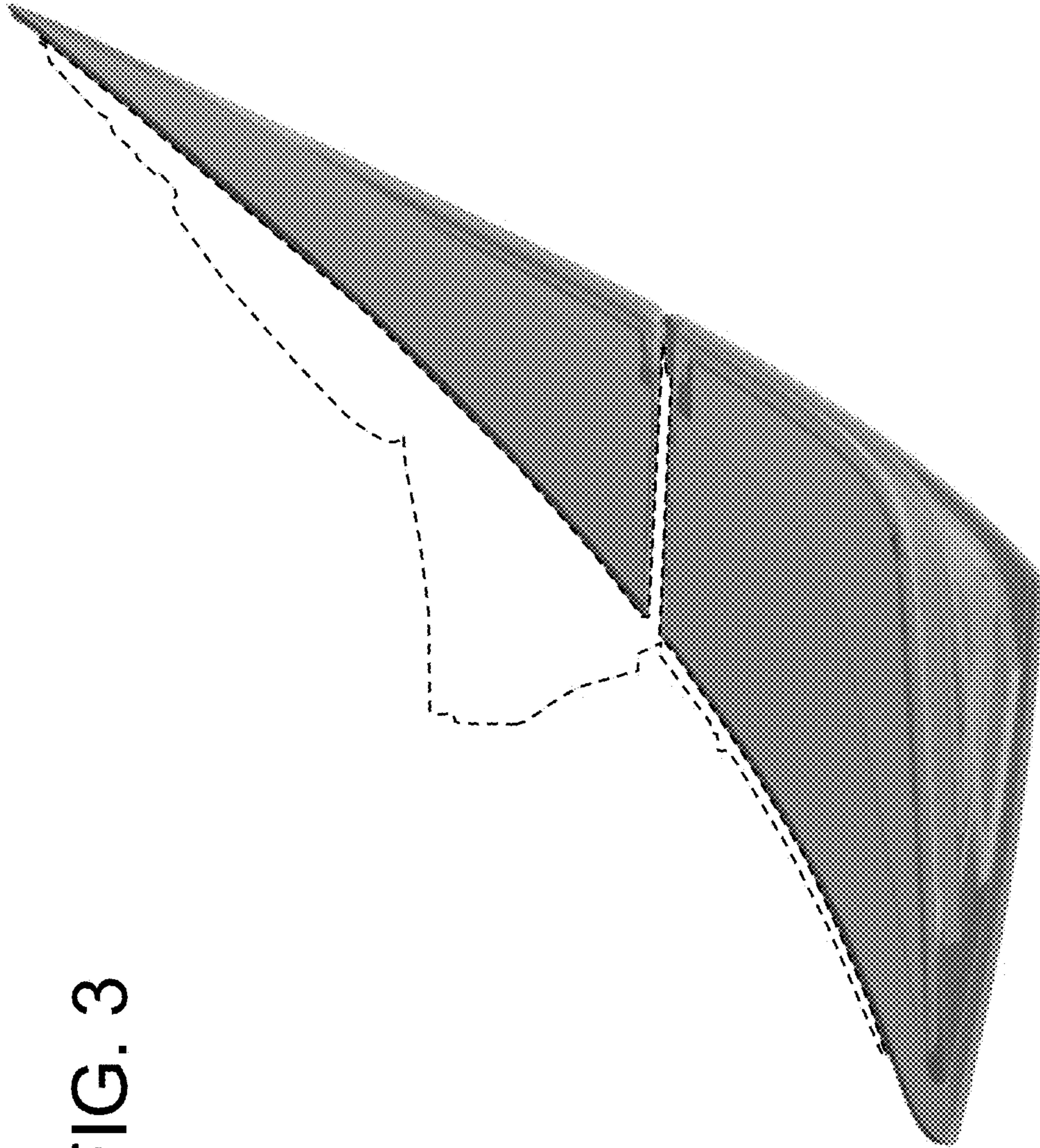


FIG. 3

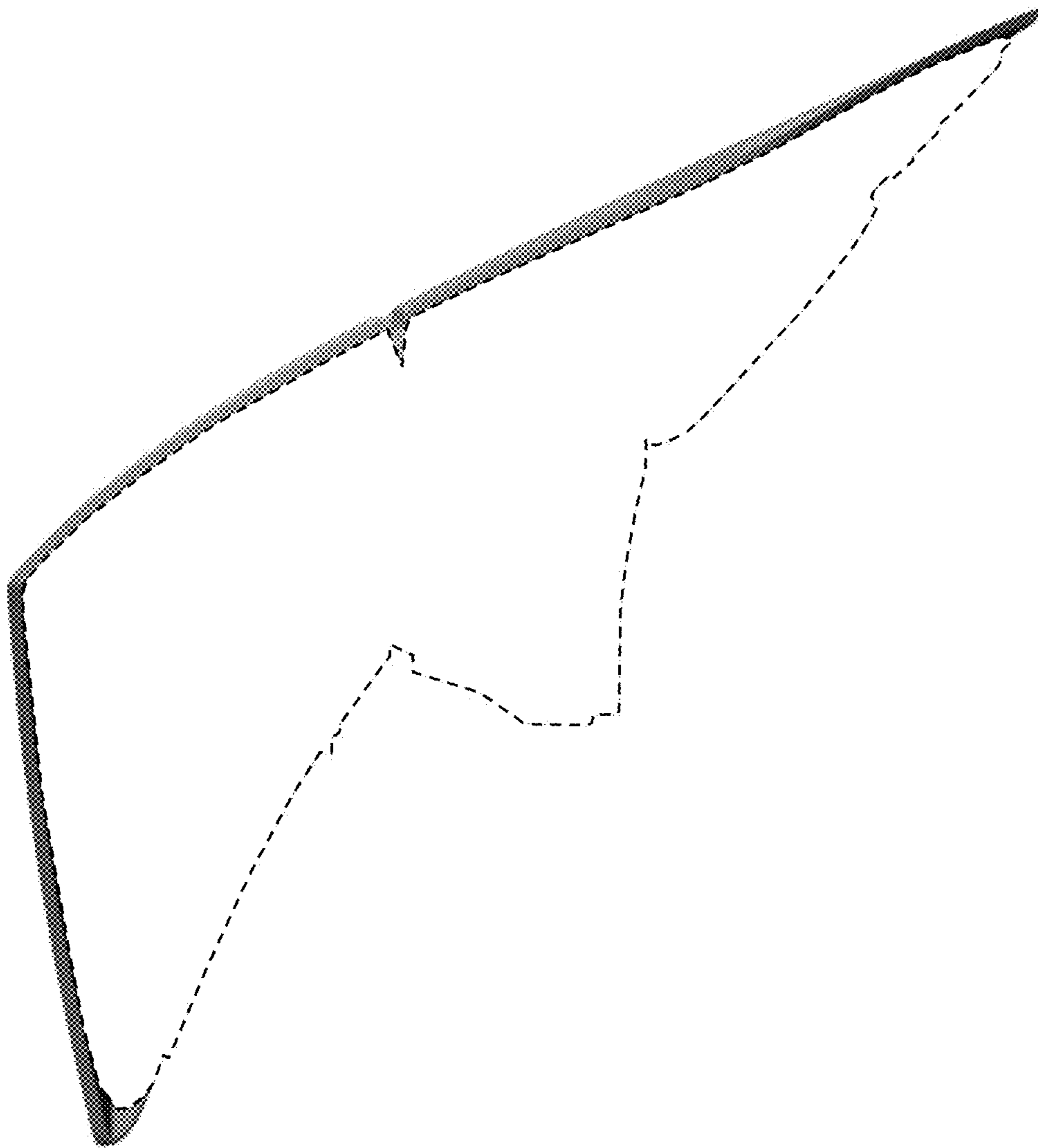


FIG. 4

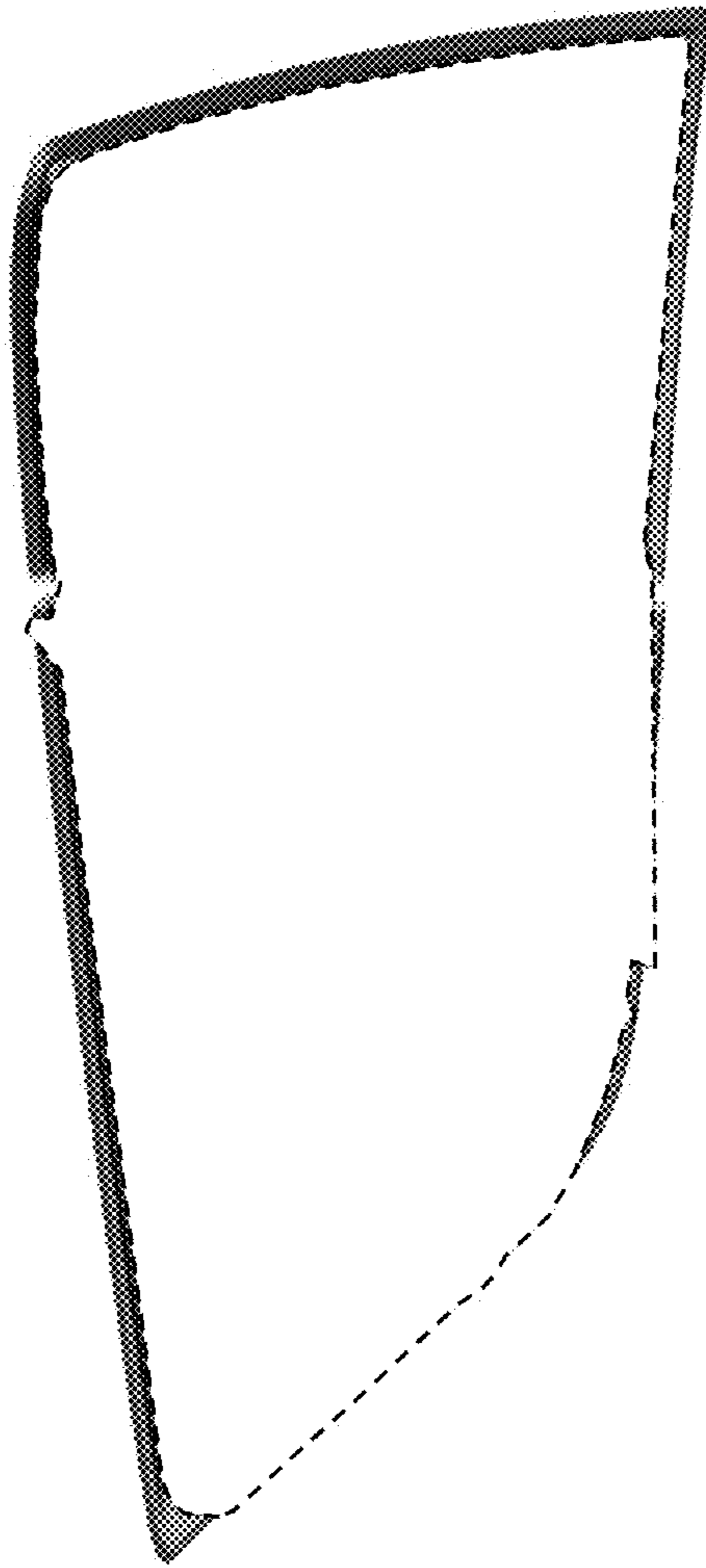


FIG. 5

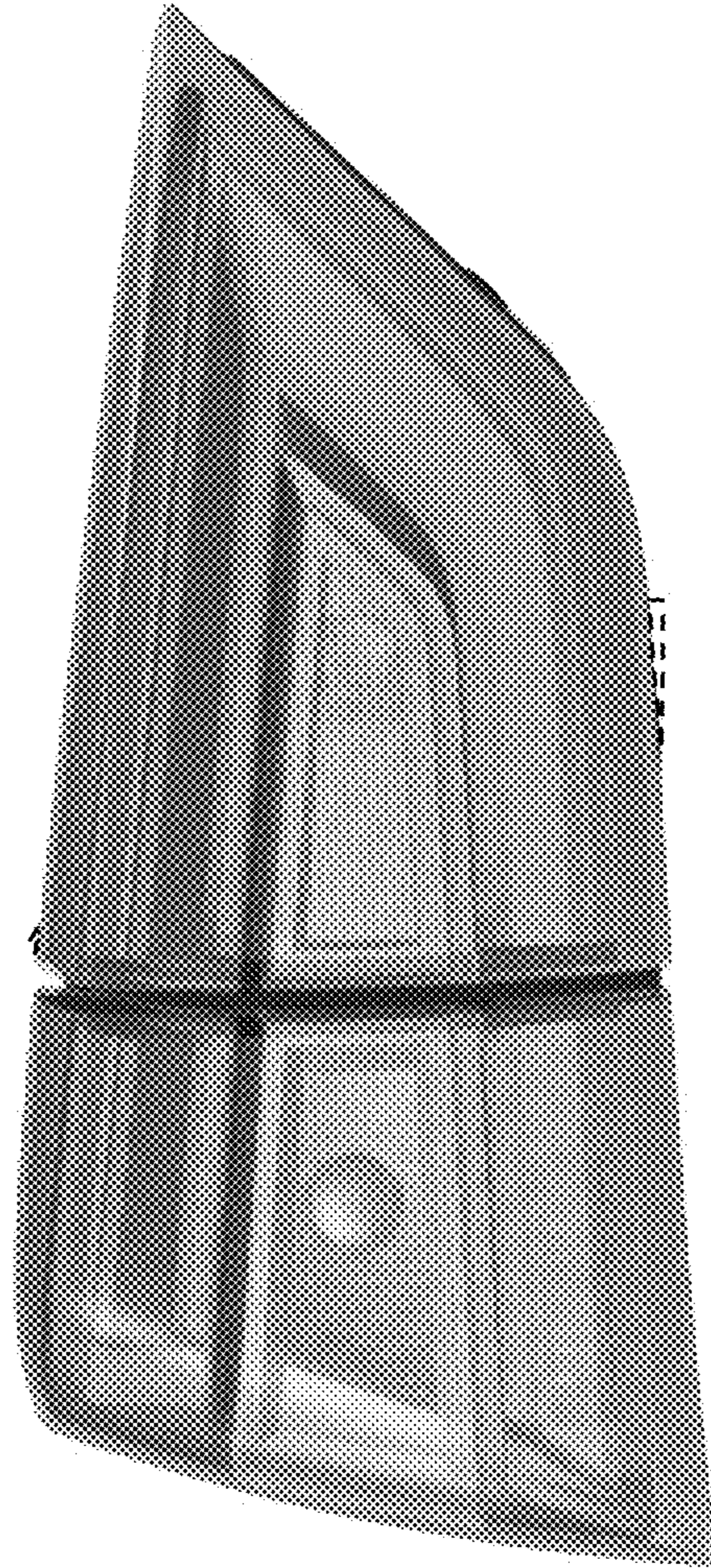


FIG. 6

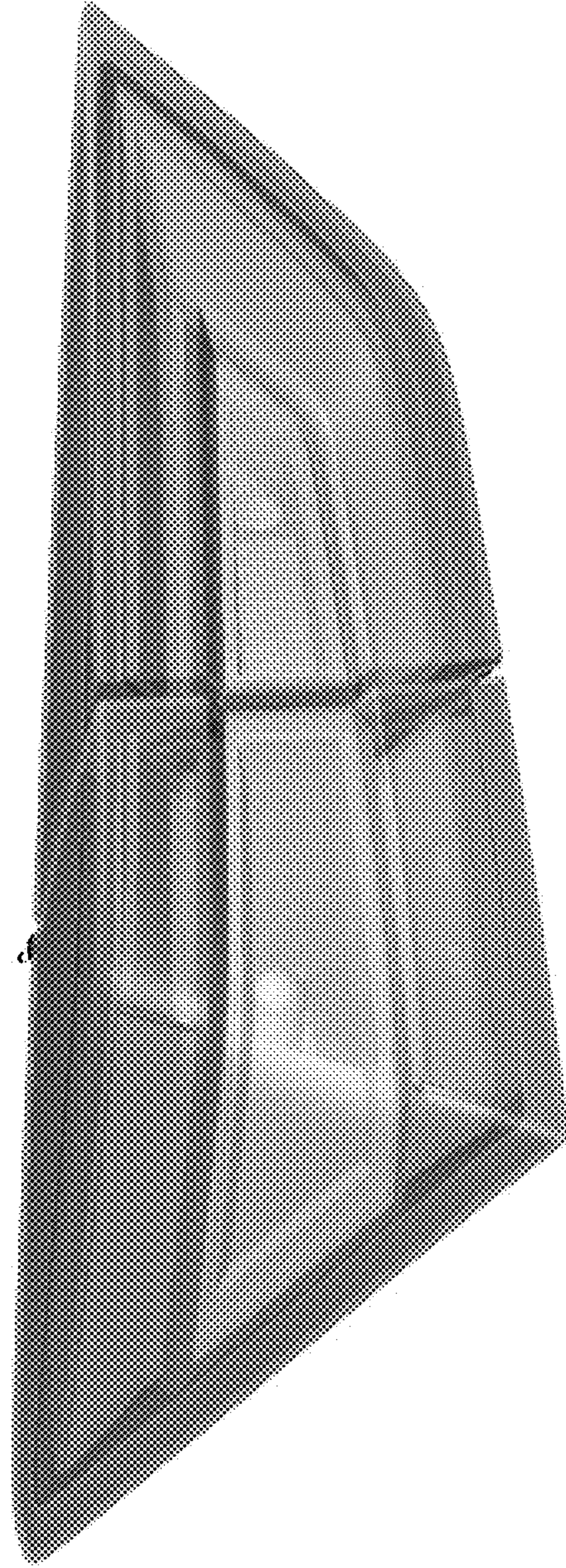


FIG. 7