



US00D917743S

(12) **United States Design Patent**  
**Shimizu et al.**

(10) **Patent No.:** **US D917,743 S**

(45) **Date of Patent:** **\*\* Apr. 27, 2021**

(54) **HEADLAMP FOR AN AUTOMOBILE**

D868,323 S \* 11/2019 Kim ..... D26/28  
D868,324 S \* 11/2019 Kim ..... D26/28  
D875,976 S \* 2/2020 Lin ..... D26/28

(71) Applicant: **Nissan Motor Co., Ltd.**, Kanagawa (JP)

\* cited by examiner

(72) Inventors: **Youhei Shimizu**, Kanagawa (JP); **Koji Wakabayashi**, Kanagawa (JP)

*Primary Examiner* — Marcus A Jackson

(74) *Attorney, Agent, or Firm* — Global IP Counselors, LLP

(73) Assignee: **Nissan Motor Co., Ltd.**, Yokohama (JP)

(57) **CLAIM**

(\*\*) Term: **15 Years**

The ornamental design for a headlamp for an automobile, as shown and described.

(21) Appl. No.: **29/709,093**

**DESCRIPTION**

(22) Filed: **Oct. 11, 2019**

(30) **Foreign Application Priority Data**

Apr. 12, 2019 (JP) ..... 2019-008091

(51) **LOC (13) Cl.** ..... **26-06**

(52) **U.S. Cl.**  
USPC ..... **D26/28**

(58) **Field of Classification Search**  
USPC ..... D26/28-36, 139  
CPC ..... F21S 48/00; F21S 48/10; F21S 48/115;  
F21S 48/225; F21S 48/1233; F21S 48/1266; F21S 48/1388; F21S 48/2268;  
F21V 5/00; B60Q 9/13; B60Q 9/135; B60Q 9/1375; F21K 9/00; F21K 13/00  
See application file for complete search history.

FIG. 1 is an outside elevational view of a headlamp for an automobile in accordance with a first embodiment of our new design;

FIG. 2 is an inside elevational view thereof;

FIG. 3 is a top plan view thereof;

FIG. 4 is a bottom plan view thereof;

FIG. 5 is a front side elevational view thereof;

FIG. 6 is a rear side elevational view thereof; and,

FIG. 7 is a front side perspective view thereof.

The headlamp is configured to be mounted to an automobile. The mounting structure and support structure of the headlamp, shown in broken lines in FIGS. 1 to 7, form no part of the claimed design since the mounting structure and support structure are hidden when the headlamp is mounted to the automobile.

In addition, the appearance of the rear side structures and inside structures of the headlamp as shown in broken lines in FIGS. 1 to 7 is for purpose of illustrating the boundaries of the exterior surface of the outside of the headlamp, and forms no part of the claimed design. The headlamp has a front lens that is transparent such that features behind the lens are at least partially visible as illustrated.

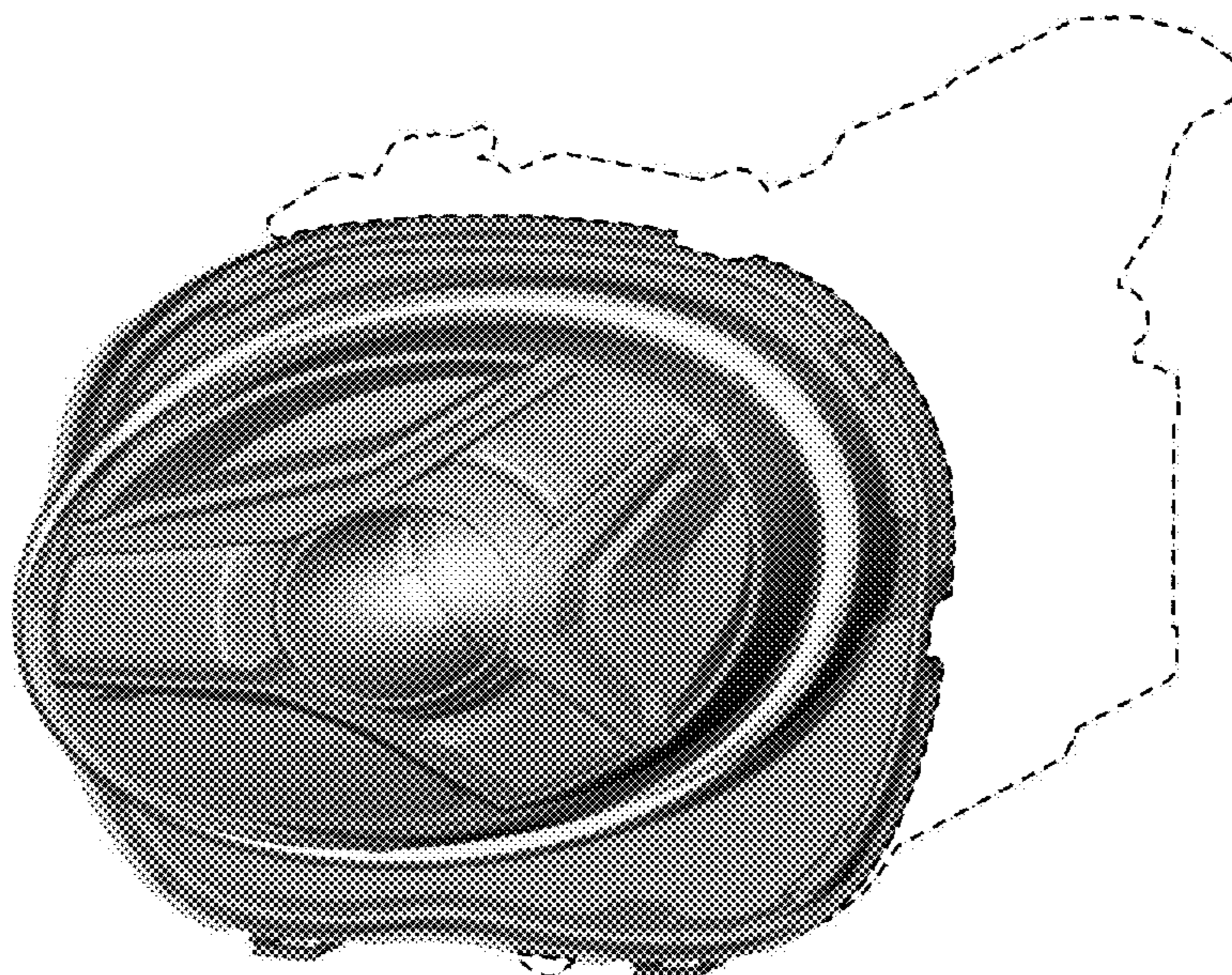
A second embodiment of our new design includes the mirror image of the headlamp shown in FIGS. 1 to 7.

(56) **References Cited**

**U.S. PATENT DOCUMENTS**

D452,922 S \* 1/2002 Kim ..... D26/28  
D592,774 S \* 5/2009 Han ..... D26/28  
D594,581 S \* 6/2009 Han ..... D26/28  
D595,002 S \* 6/2009 Han ..... D26/28  
D834,225 S \* 11/2018 Kwon ..... D26/28  
D848,039 S \* 5/2019 Conway ..... D26/28

**1 Claim, 7 Drawing Sheets**



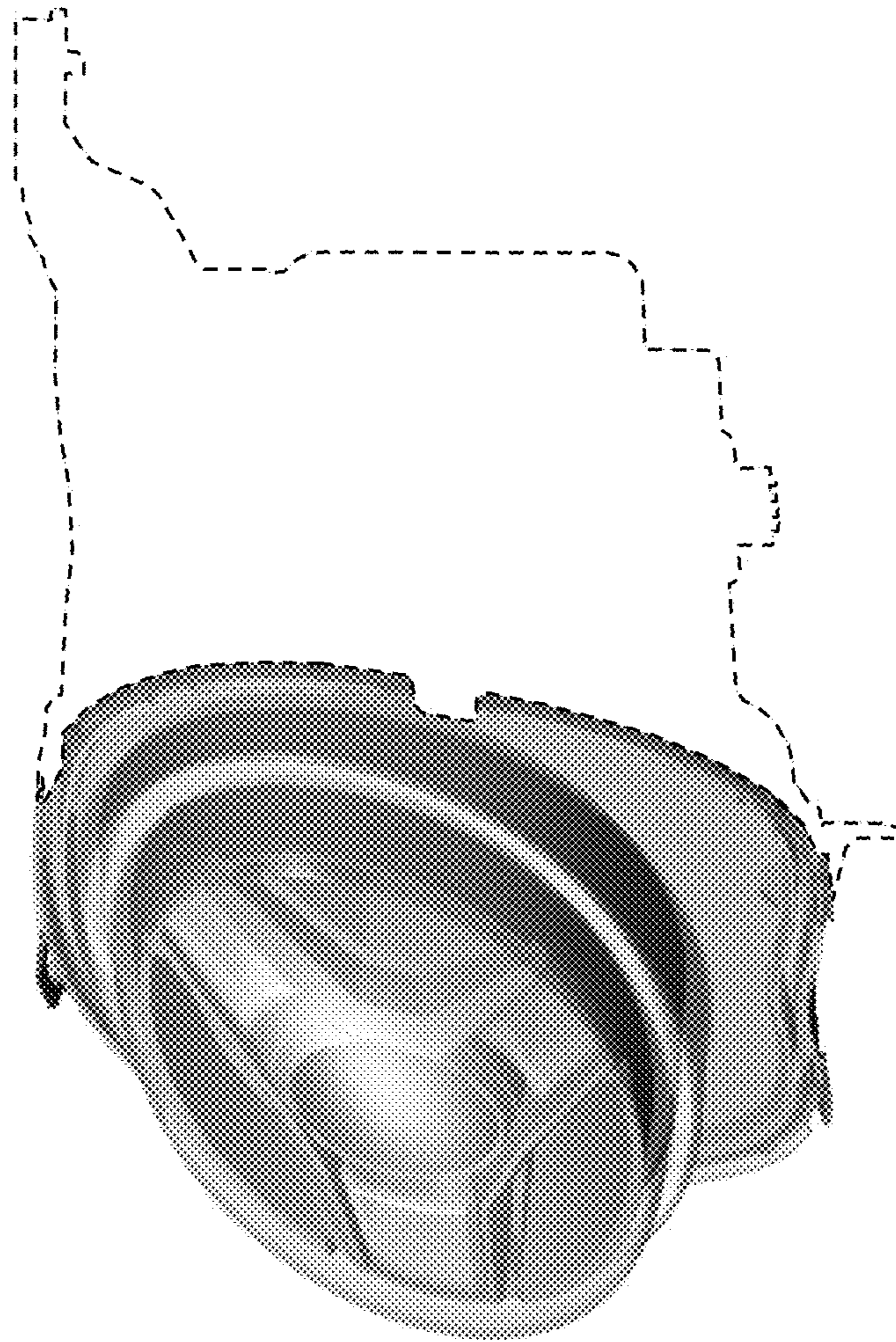


FIG. 1



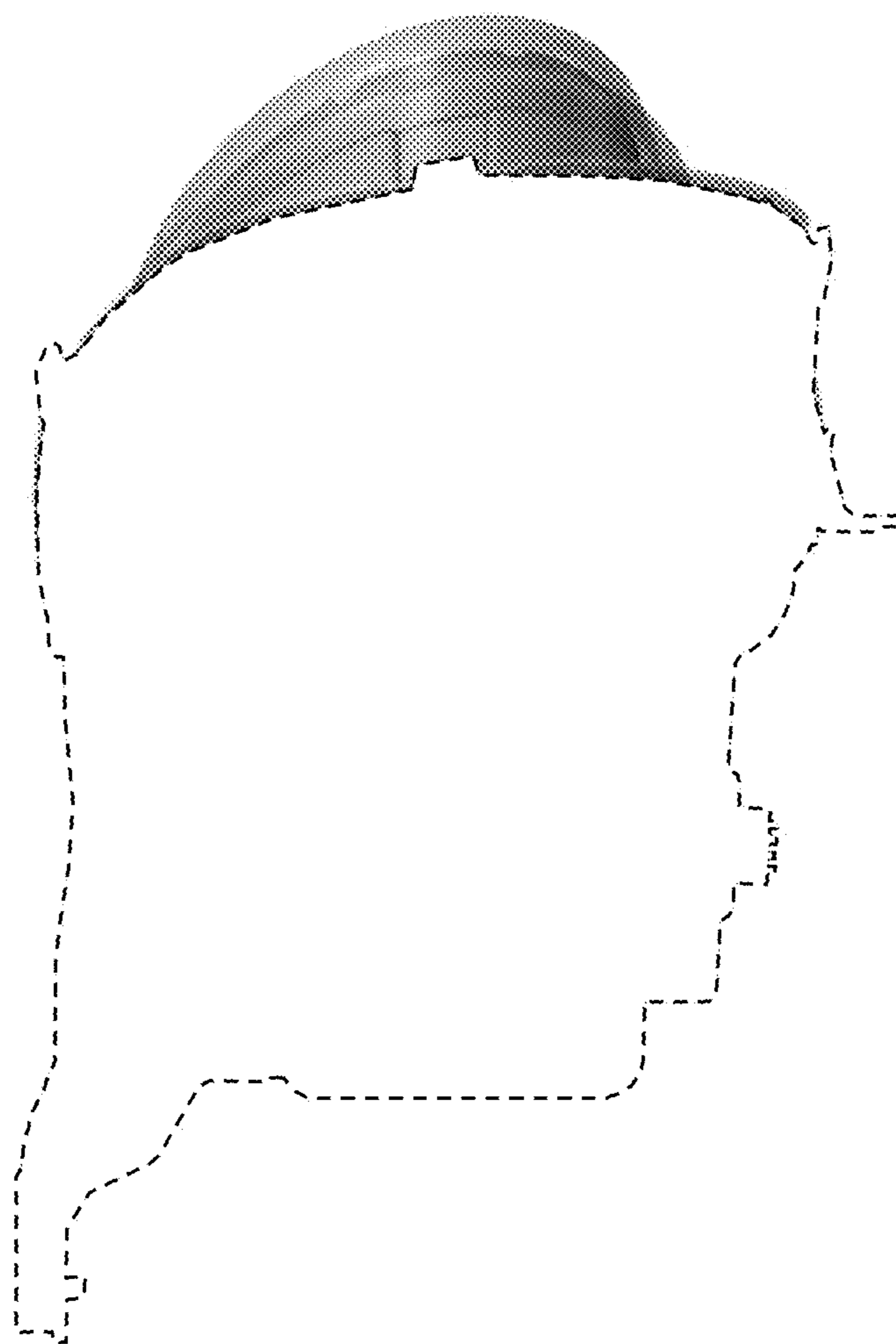


FIG. 2



FIG. 3

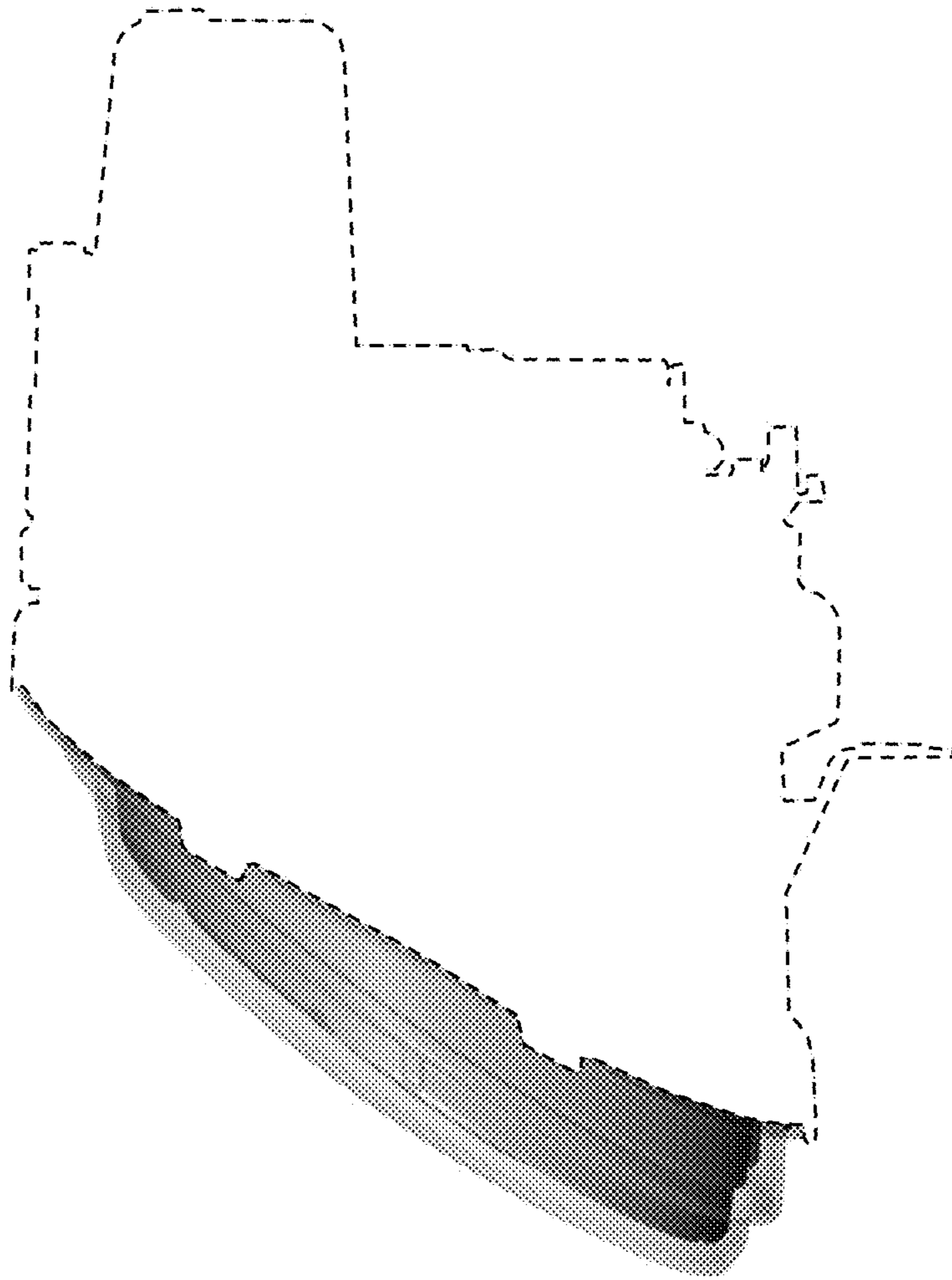


FIG. 4

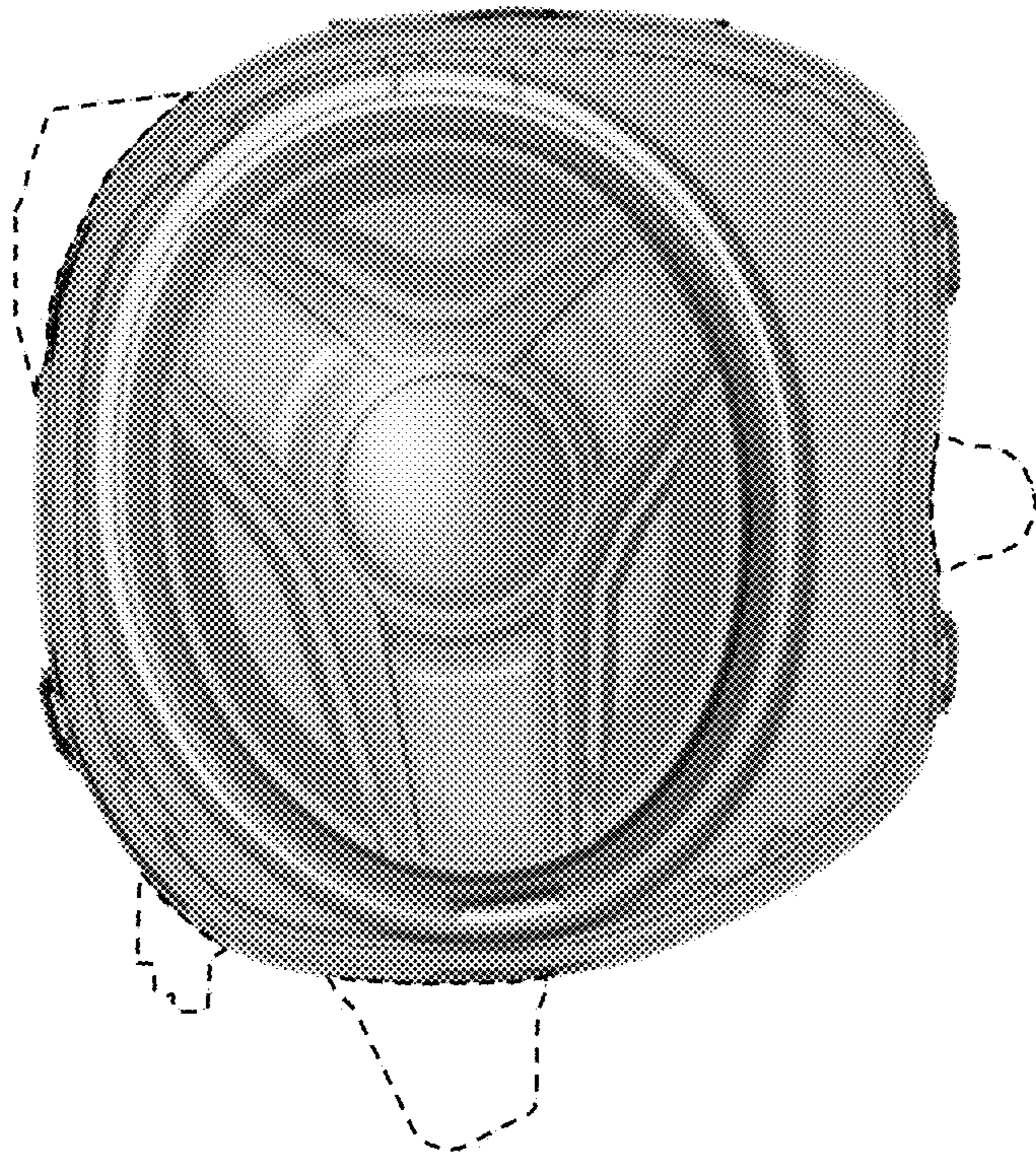


FIG. 5

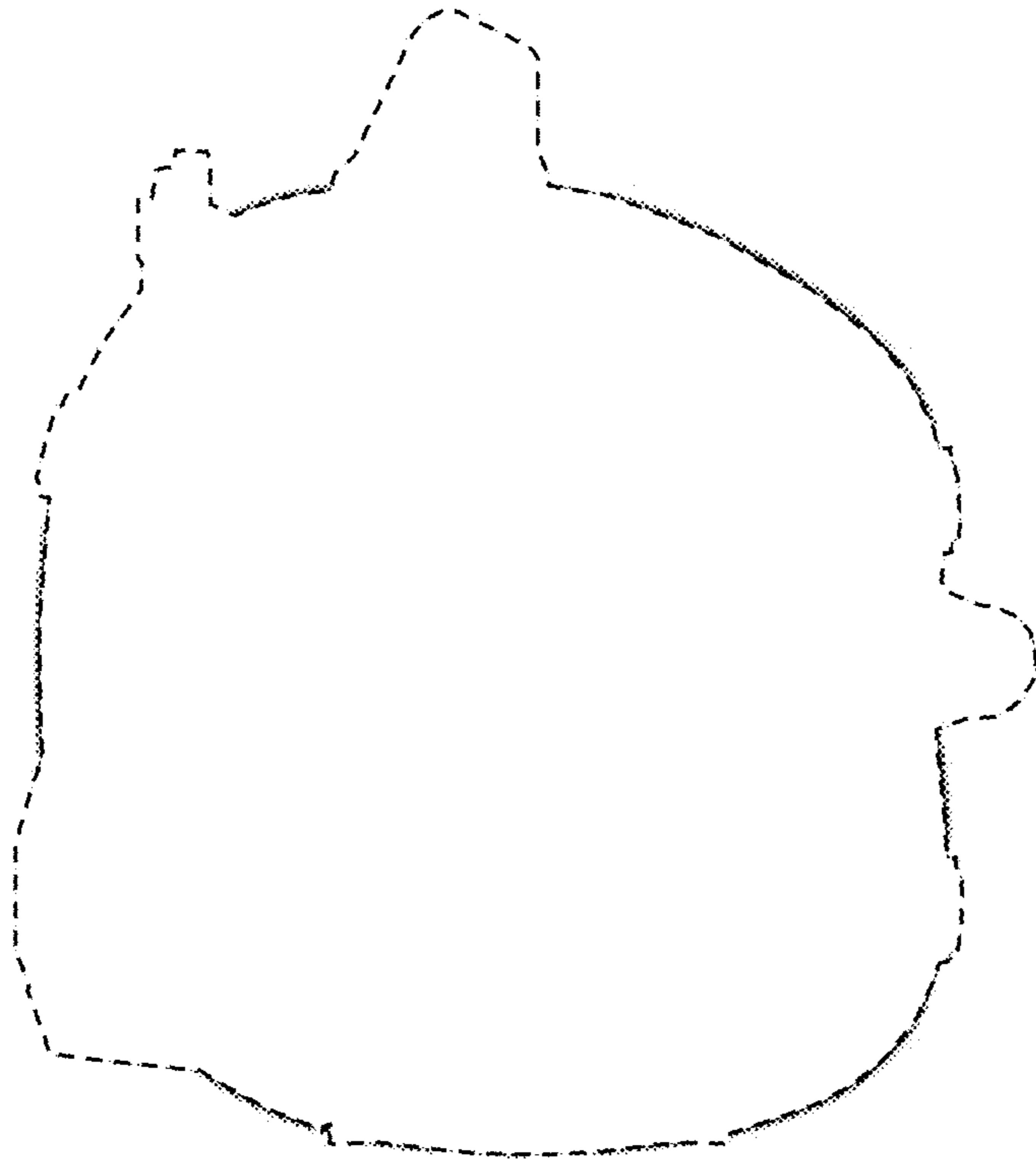


FIG. 6



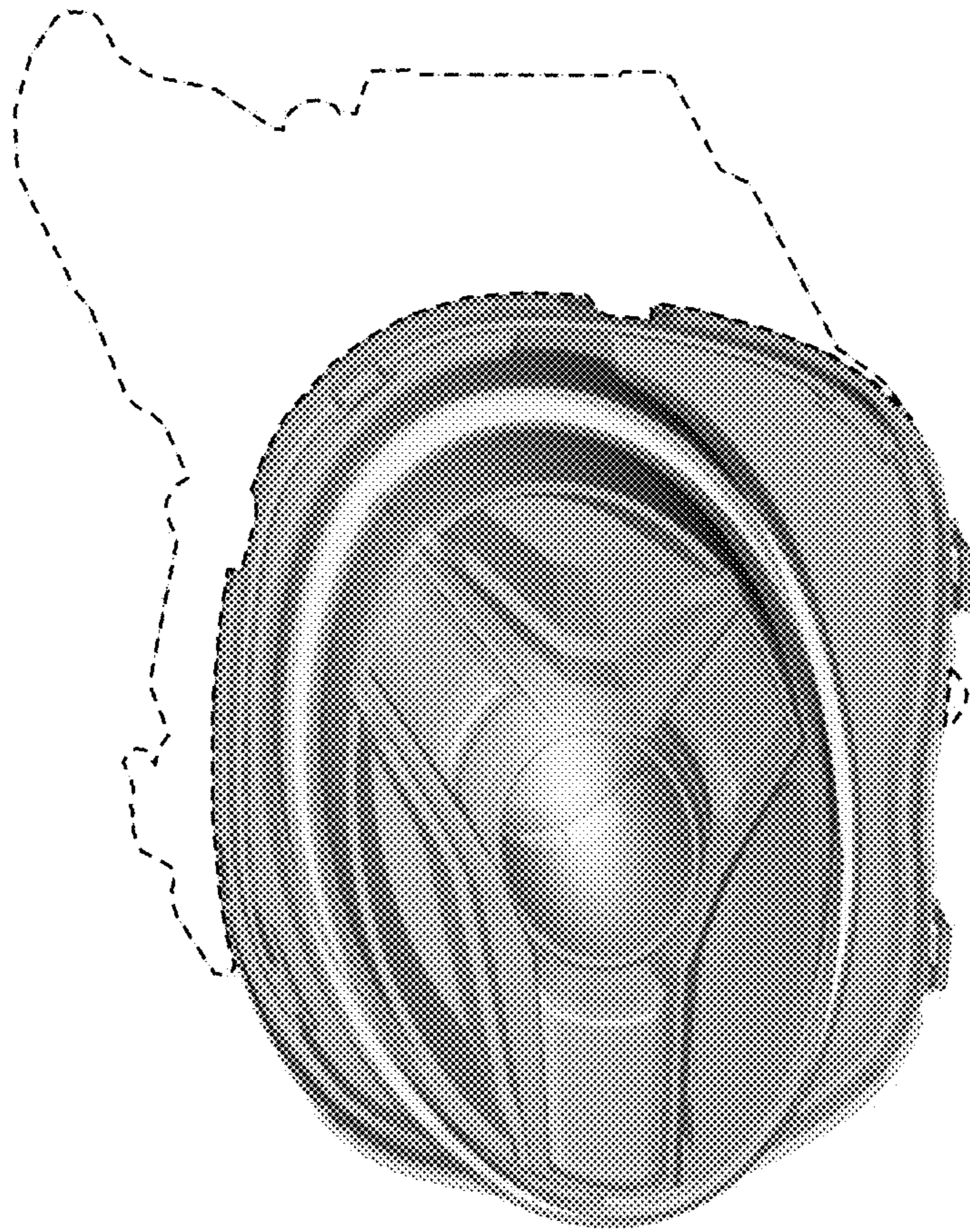


FIG. 7