



US00D917741S

(12) **United States Design Patent**  
**Kuang**

(10) **Patent No.:** **US D917,741 S**

(45) **Date of Patent:** **\*\* Apr. 27, 2021**

(54) **ICICLE LIGHT**

(71) Applicant: **Shenzhen Jinduoyun Business Co., Ltd**, Guangdong (CN)

(72) Inventor: **Xiangli Kuang**, Guangdong (CN)

(73) Assignee: **Shenzhen Jinduoyun Business Co., Ltd**, Guangdong (CN)

(\*\*) Term: **15 Years**

(21) Appl. No.: **29/768,609**

(22) Filed: **Jan. 29, 2021**

**Related U.S. Application Data**

(62) Division of application No. 29/745,696, filed on Aug. 7, 2020.

(51) **LOC (13) Cl.** ..... **26-03**

(52) **U.S. Cl.**  
USPC ..... **D26/25**

(58) **Field of Classification Search**  
USPC ..... D26/25  
CPC ..... F21S 4/00; F21S 4/15; F21S 2/00; F21V 21/08  
See application file for complete search history.

(56) **References Cited**

**U.S. PATENT DOCUMENTS**

- D351,915 S \* 10/1994 Hermanson ..... D26/25
- D413,173 S \* 8/1999 Mount ..... D26/25
- D439,991 S \* 4/2001 Wong ..... D26/25
- 6,309,087 B1 \* 10/2001 Huang ..... F21S 4/10  
362/249.15
- D452,745 S \* 1/2002 Chang ..... D26/25

- D453,384 S \* 2/2002 Chang ..... D26/25
- D515,225 S \* 2/2006 Rau ..... D26/25
- D576,070 S 9/2008 Tsai
- D691,295 S \* 10/2013 Chappey ..... D26/25
- D799,314 S 10/2017 Adams, IV
- D889,696 S \* 7/2020 Cao ..... D26/25

\* cited by examiner

*Primary Examiner* — Brian N. Vinson

(74) *Attorney, Agent, or Firm* — ScienBiziP, P.C.

(57) **CLAIM**

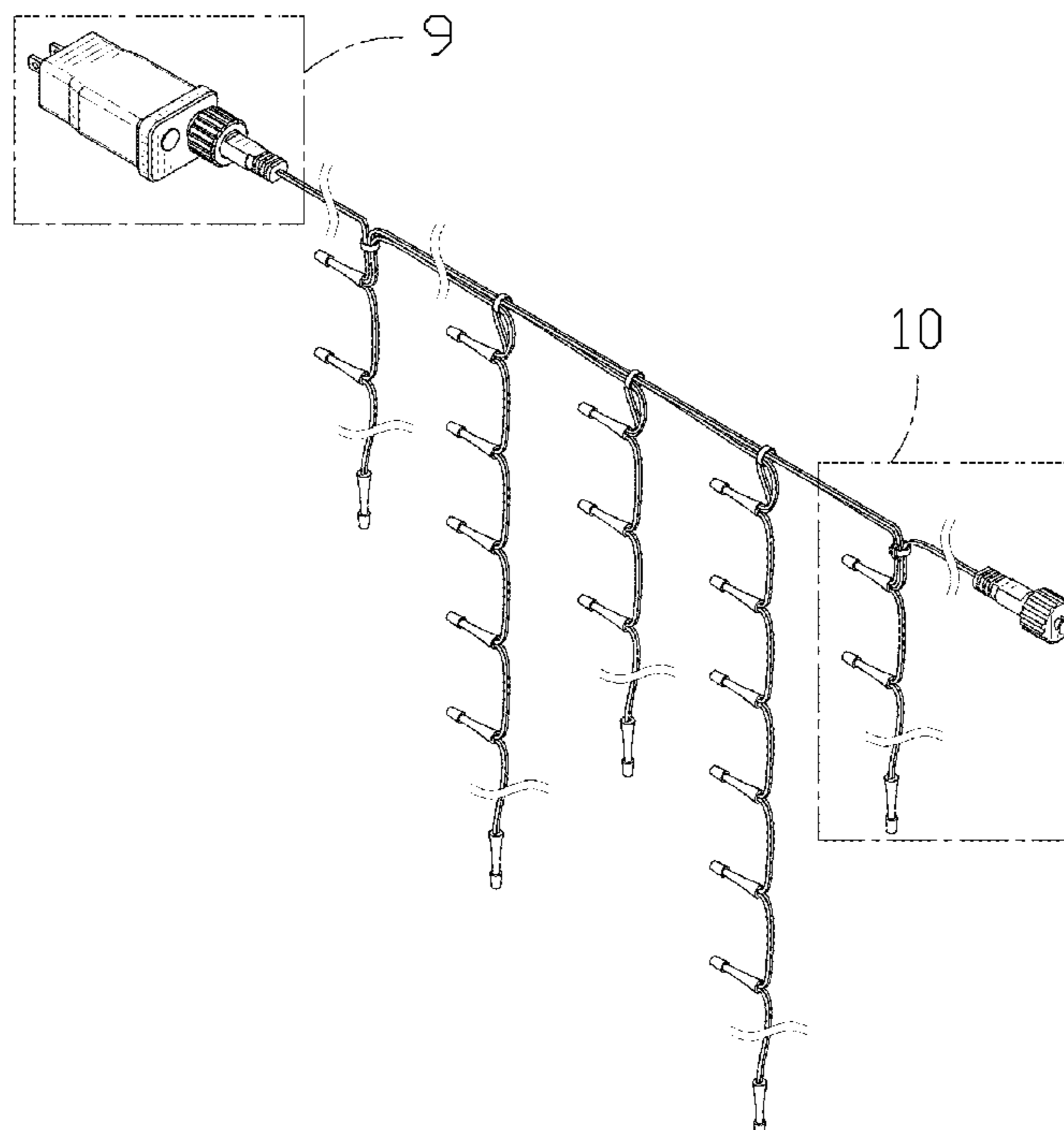
The ornamental design for an icicle light, as shown and described.

**DESCRIPTION**

FIG. 1 is a front, right, and top perspective view of an icicle light, showing my design.  
 FIG. 2 is a rear, left, and bottom perspective view thereof.  
 FIG. 3 is a front elevation view thereof.  
 FIG. 4 is a rear elevation view thereof.  
 FIG. 5 is a left side elevation view thereof.  
 FIG. 6 is a right side elevation view thereof.  
 FIG. 7 is a top plan view thereof.  
 FIG. 8 is a bottom plan view thereof.  
 FIG. 9 is a partial enlarged view of an electric plug labeled 9 in FIG. 1; and,  
 FIG. 10 is a partial enlarged view of a power cord labeled 10 in FIG. 1.

The broken lines shown in the drawings are included for the purpose of illustrating portions of the icicle light that form no part of the claimed design.

**1 Claim, 10 Drawing Sheets**



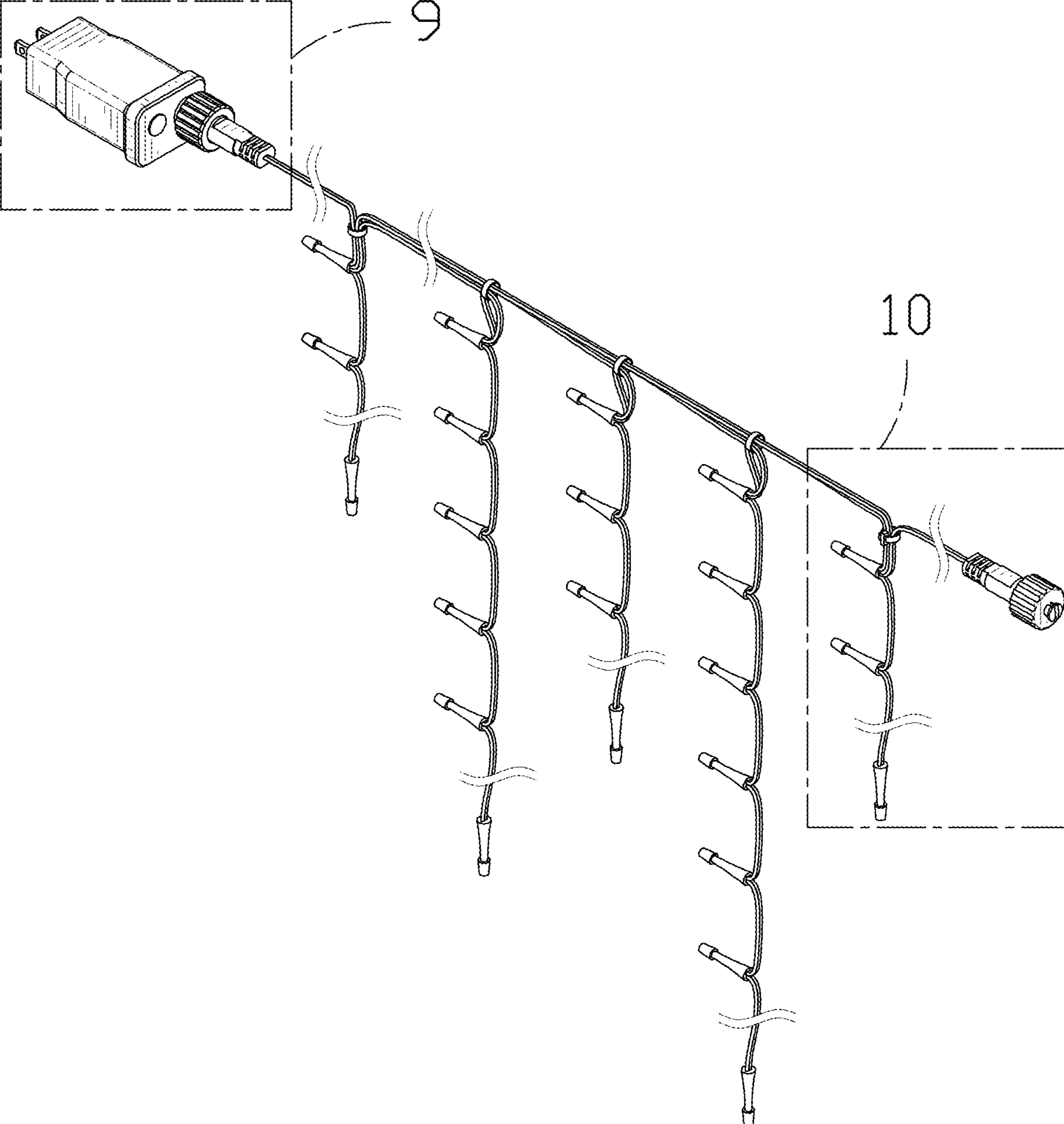


FIG. 1

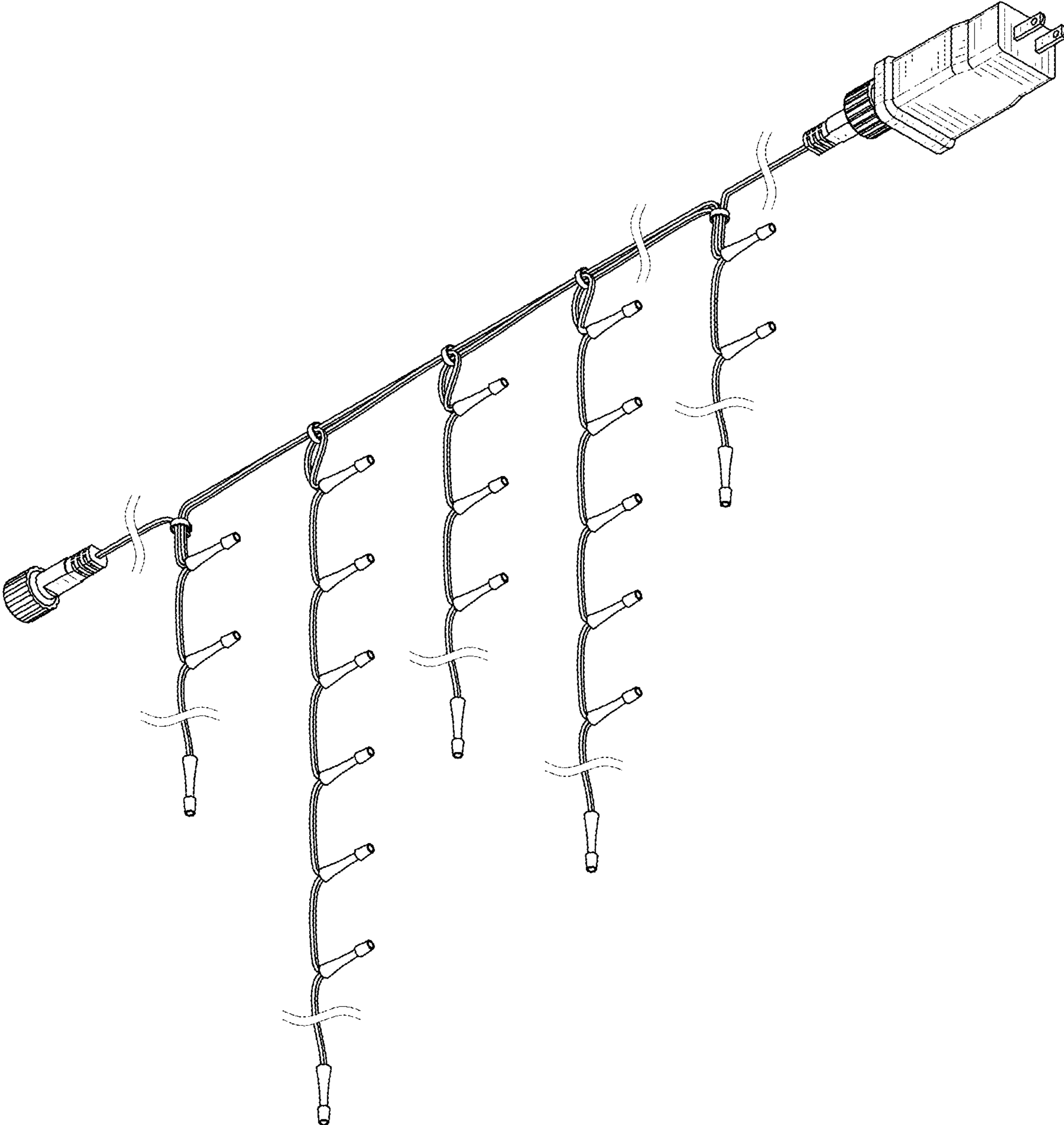


FIG. 2

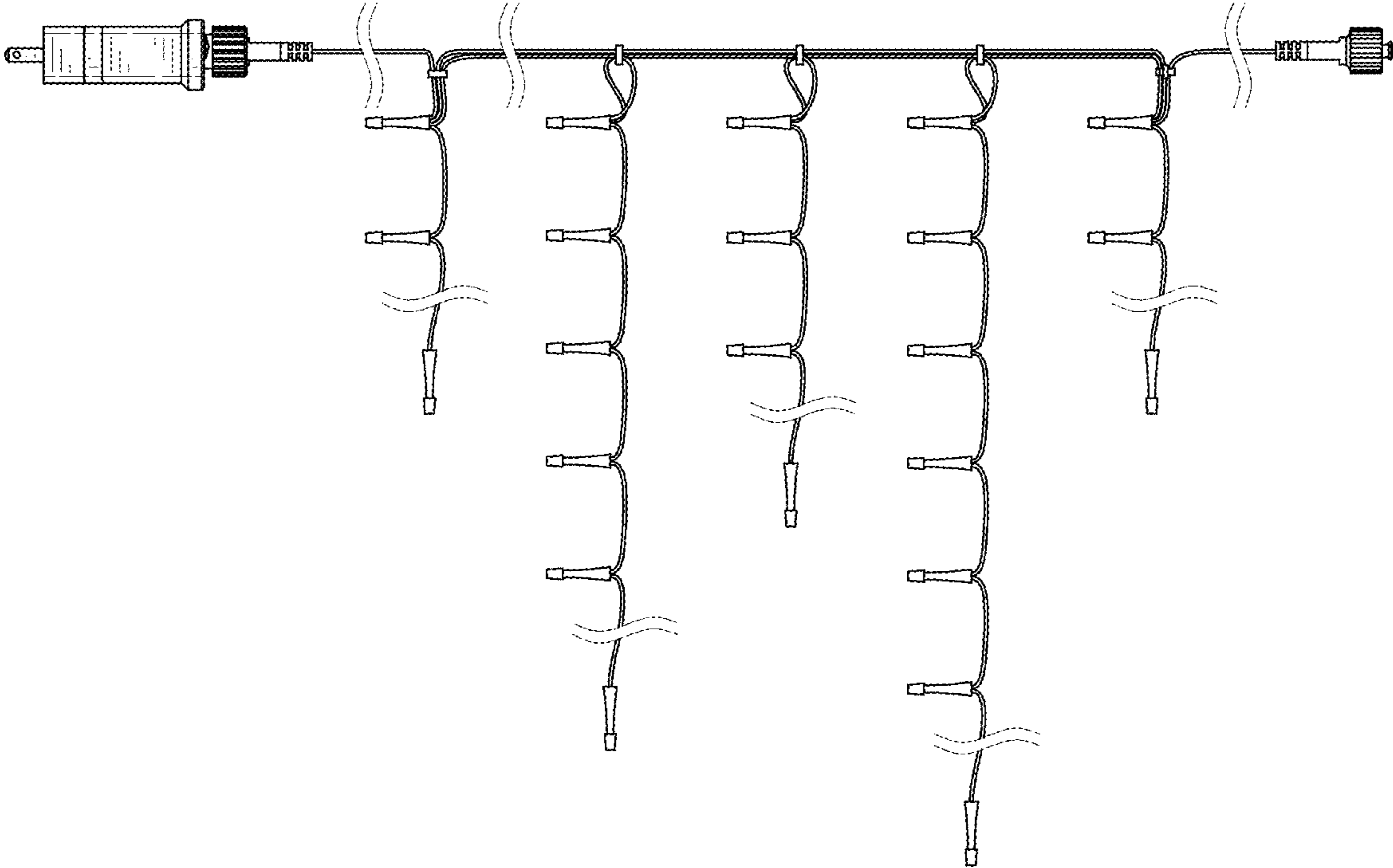


FIG. 3

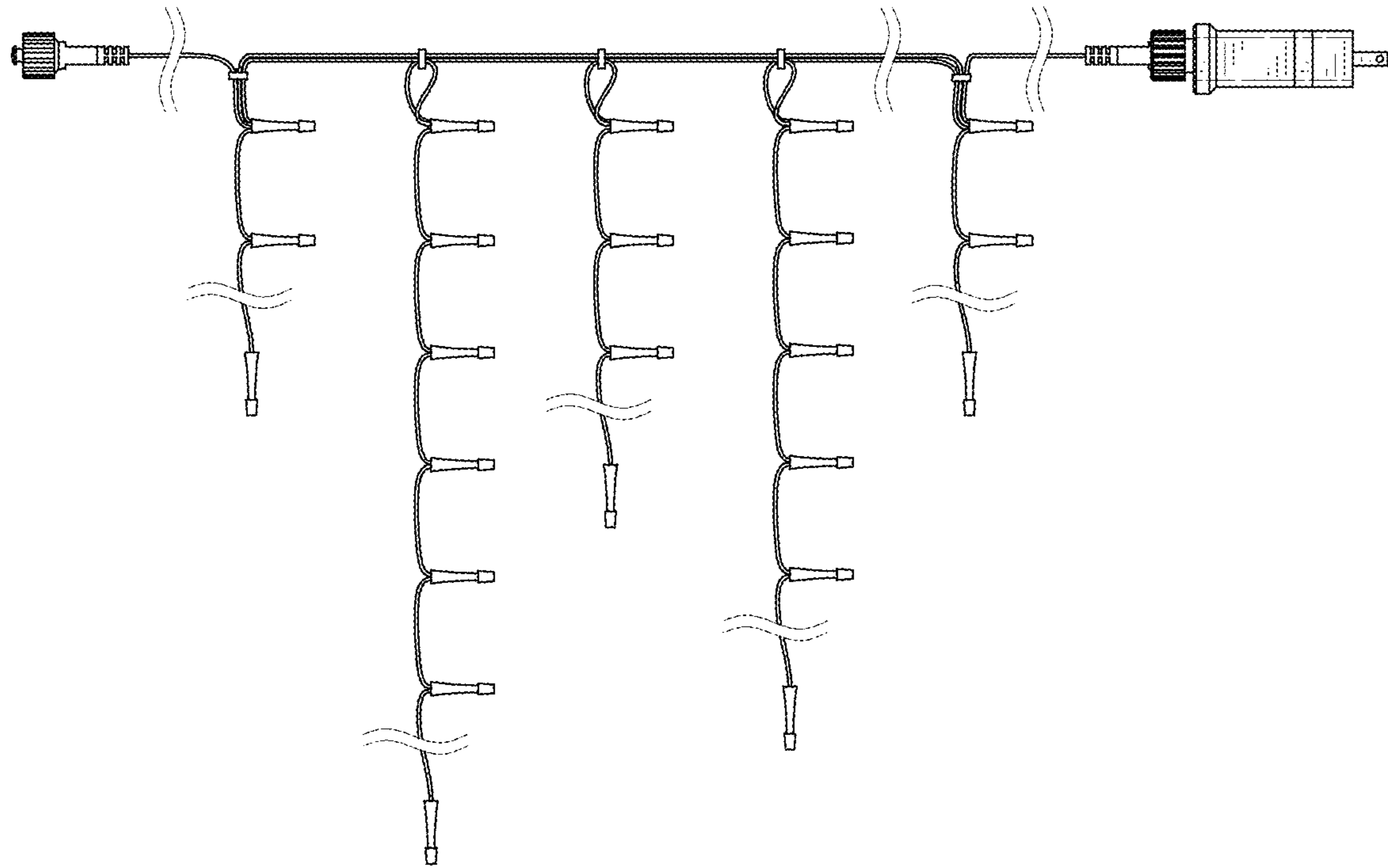


FIG. 4

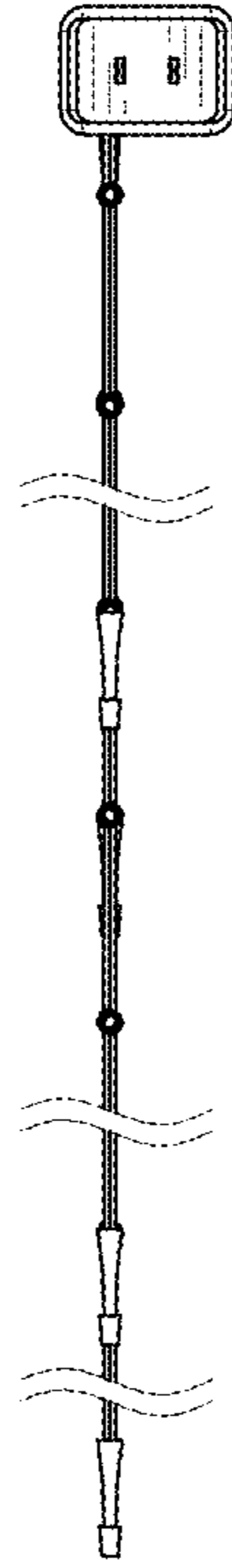


FIG. 5

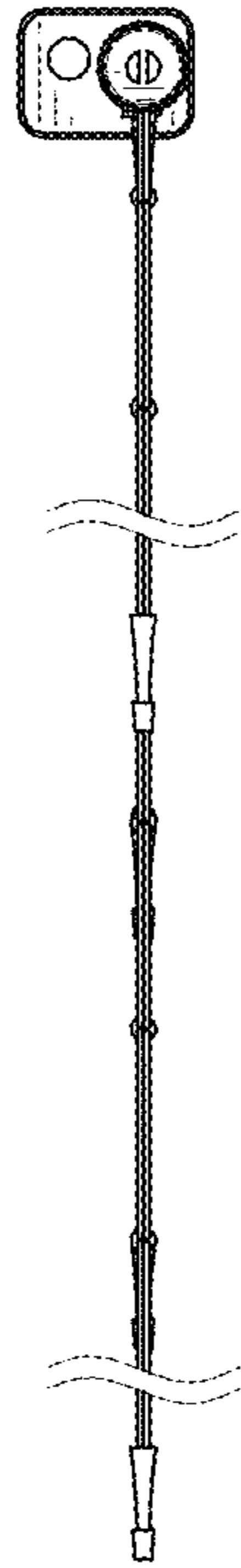


FIG. 6

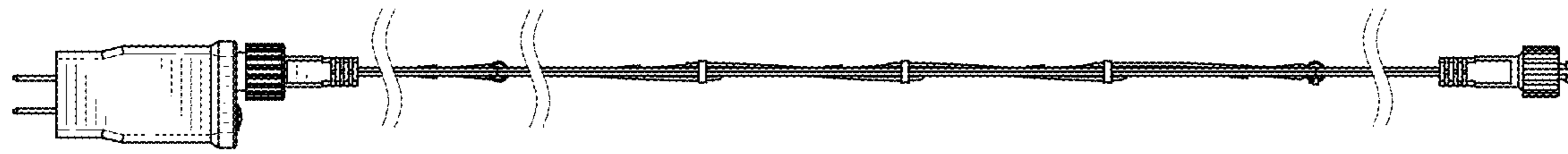


FIG. 7



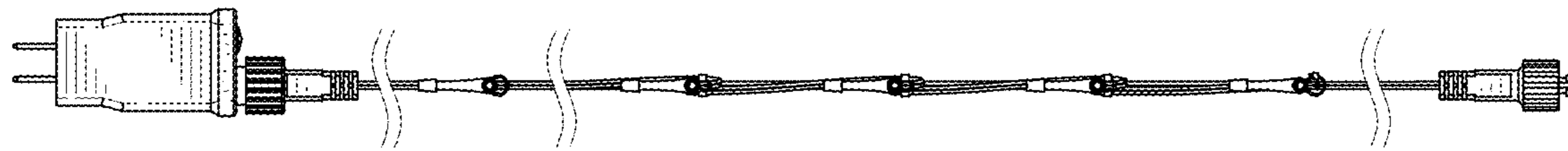


FIG. 8

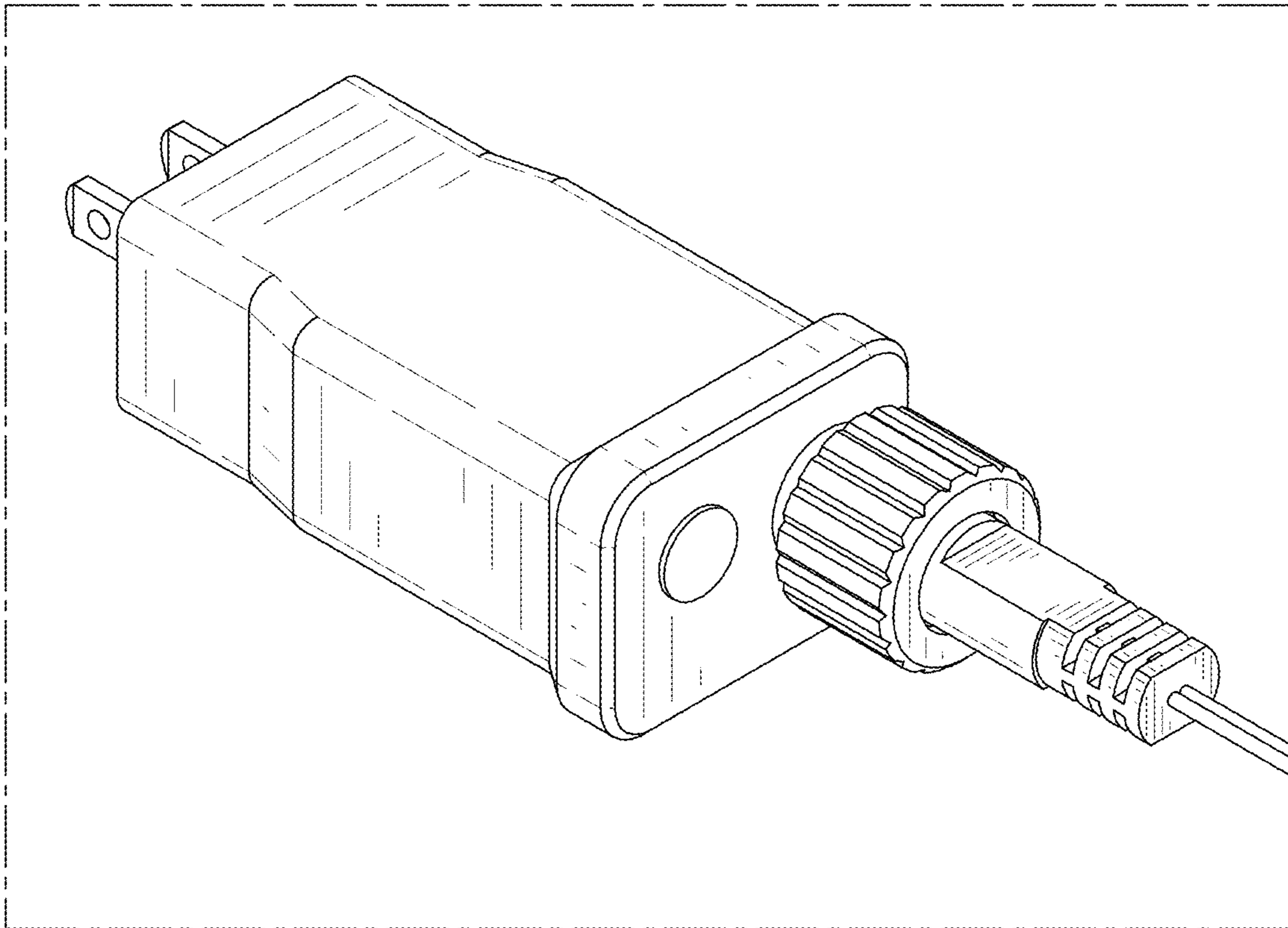


FIG. 9

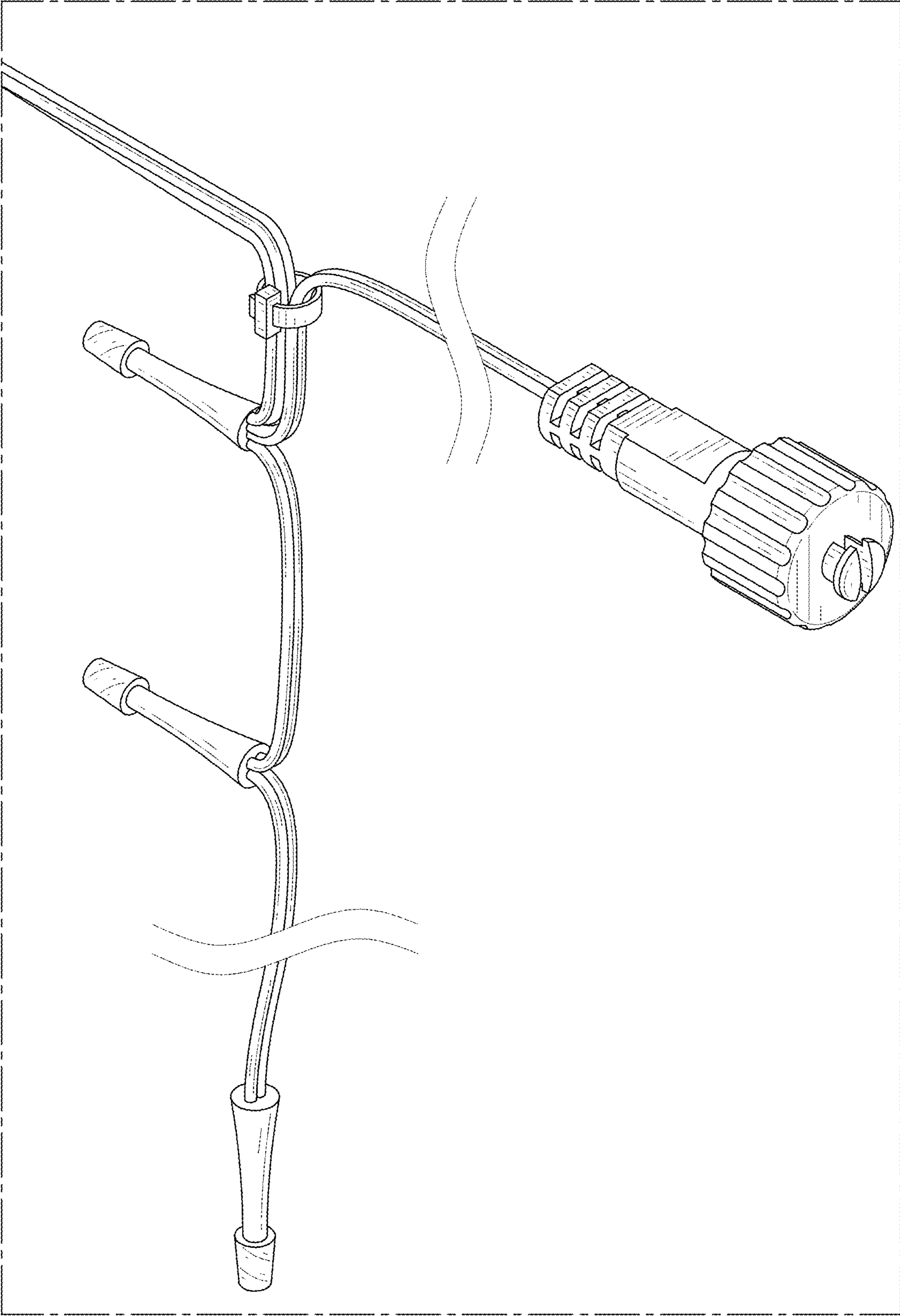


FIG. 10