



US00D917740S

(12) **United States Design Patent**  
**Lan et al.**

(10) **Patent No.:** **US D917,740 S**  
(45) **Date of Patent:** **\*\* Apr. 27, 2021**

(54) **LED STRING LAMP**

(71) Applicant: **SHENZHEN GUANKE TECHNOLOGIES CO., LTD,**  
Shenzhen (CN)

(72) Inventors: **Qing Lan**, Shenzhen (CN); **Yuting Hou**, Shenzhen (CN); **Ligen Liu**, Shenzhen (CN); **Shoubao Chen**, Shenzhen (CN); **Wenhao Lin**, Shenzhen (CN)

(73) Assignee: **SHENZHEN GUANKE TECHNOLOGIES CO., LTD,**  
Shenzhen (CN)

(\*\*) Term: **15 Years**

(21) Appl. No.: **29/718,313**

(22) Filed: **Dec. 23, 2019**

(30) **Foreign Application Priority Data**

Sep. 12, 2019 (CN) ..... 201930504734.7

(51) **LOC (13) Cl.** ..... **26-02**

(52) **U.S. Cl.**  
USPC ..... **D26/25**

(58) **Field of Classification Search**  
USPC ..... D26/25  
CPC .... F21S 4/00; F21S 4/001; F21S 4/003; F21S 4/005; F21W 2121/04  
See application file for complete search history.

(56) **References Cited**

**U.S. PATENT DOCUMENTS**

9,752,763 B2 \* 9/2017 Lin ..... F21V 23/06  
D832,493 S \* 10/2018 Murphy ..... D26/25  
D855,872 S \* 8/2019 Lan ..... D26/25

D880,040 S \* 3/2020 Pan ..... D26/25  
2008/0259604 A1 \* 10/2008 Huang ..... F21S 4/10  
362/249.12  
2019/0063697 A1 \* 2/2019 Lan ..... F21S 4/10

\* cited by examiner

*Primary Examiner* — Brian N. Vinson

(74) *Attorney, Agent, or Firm* — Maier & Maier, PLLC

(57) **CLAIM**

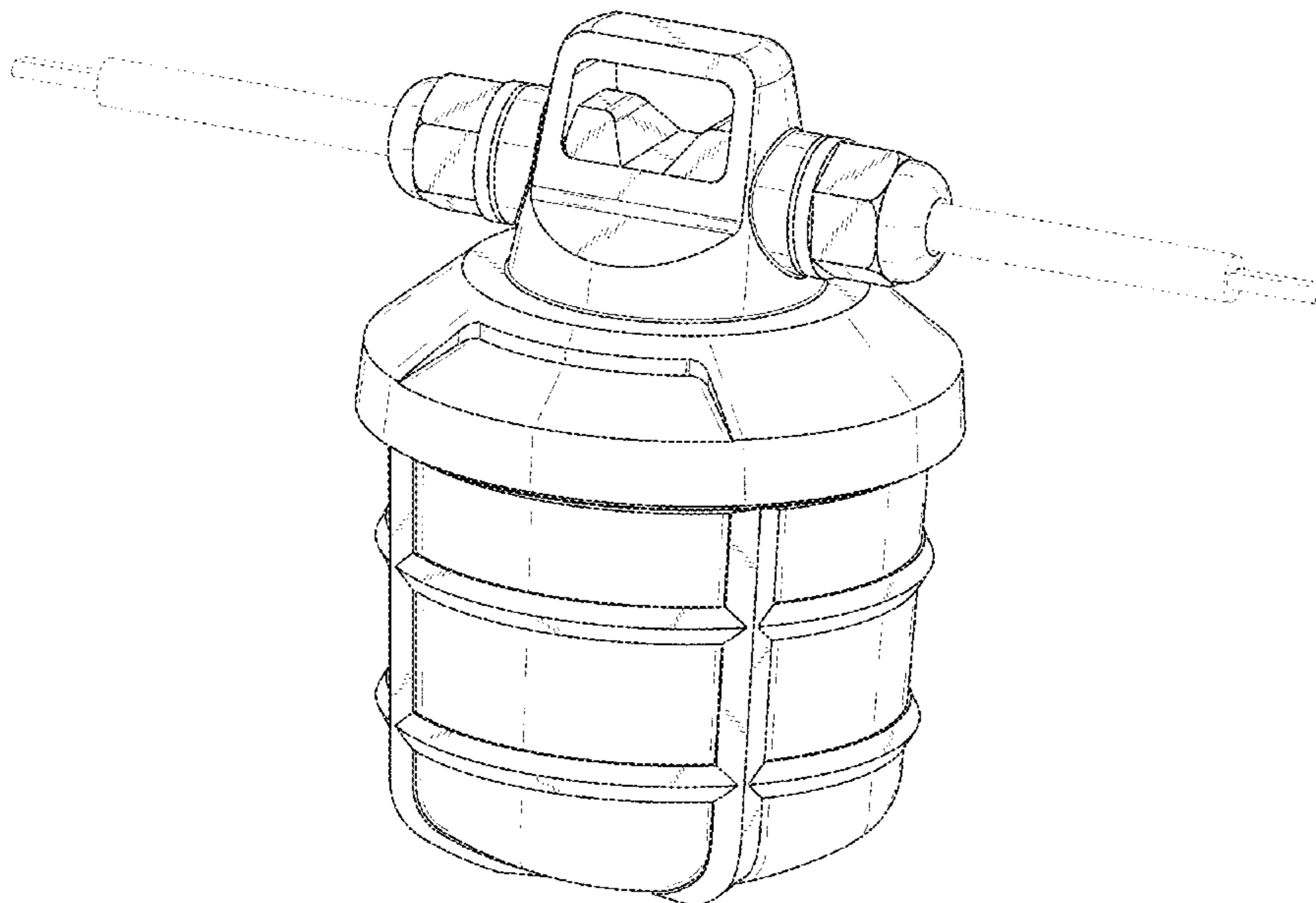
The ornamental design for an LED string lamp, as shown and described.

**DESCRIPTION**

FIG. 1 is a top, front, right perspective view of a first embodiment of an LED string lamp, showing our design; FIG. 2 is a front elevational view thereof; FIG. 3 is a rear elevational view thereof; FIG. 4 is a right side elevational view thereof; FIG. 5 is a left side elevational view thereof; FIG. 6 is a top plan view thereof; FIG. 7 is a bottom plan view thereof; FIG. 8 is a bottom left perspective view thereof; FIG. 9 is a perspective view thereof coupled to other LED string lamps; FIG. 10 is a top, front, right perspective view of a second embodiment of an LED string lamp; FIG. 11 is a front elevational view thereof; FIG. 12 is a rear elevational view thereof; FIG. 13 is a right side elevational view thereof; FIG. 14 is a left side elevational view thereof; FIG. 15 is a top plan view thereof; FIG. 16 is a bottom plan view thereof; FIG. 17 is a bottom left perspective view thereof; and, FIG. 18 is a perspective view thereof coupled to other LED string lamps.

The broken lines in the drawings depict environment and form no part of the claimed design.

**1 Claim, 16 Drawing Sheets**



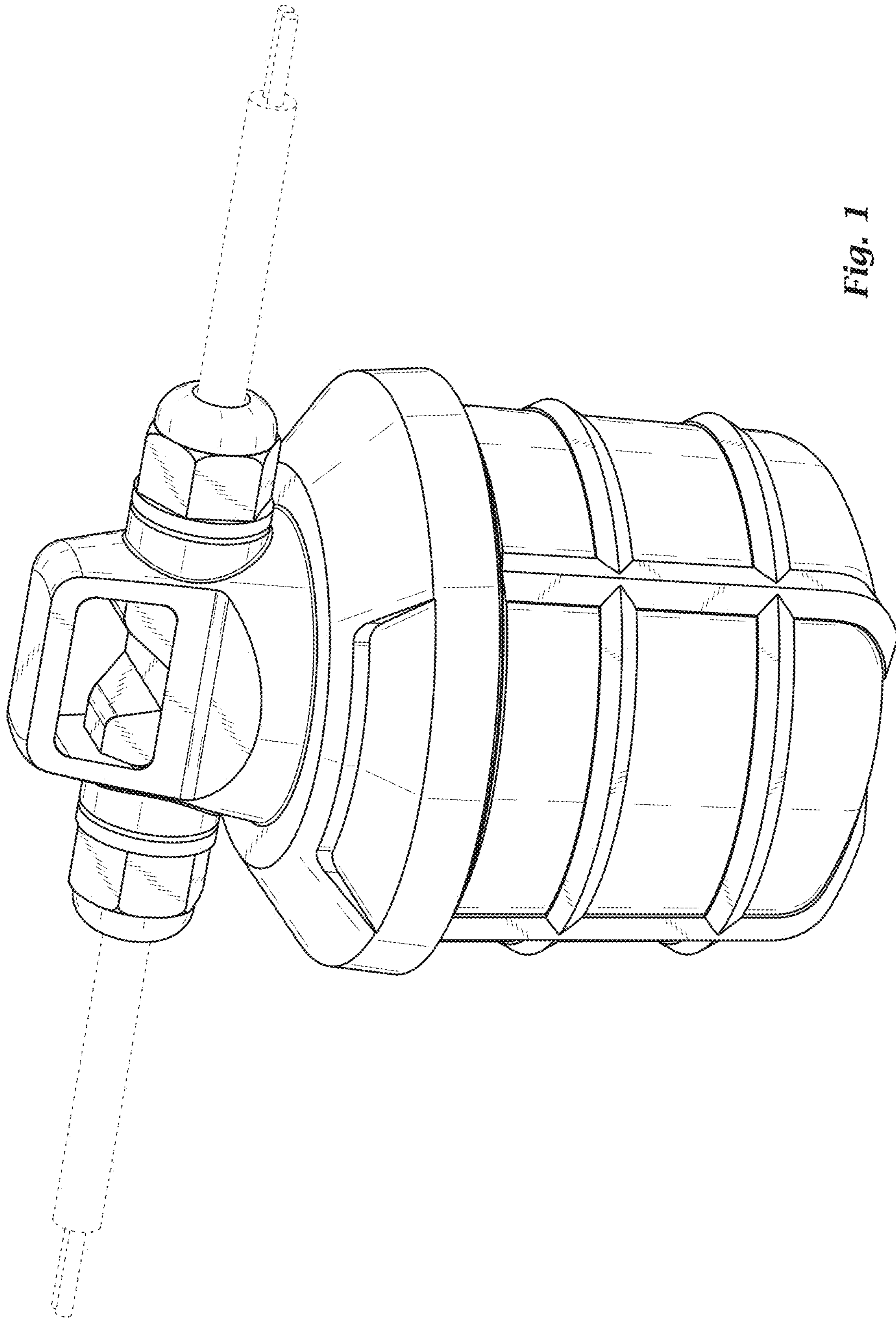


Fig. 1

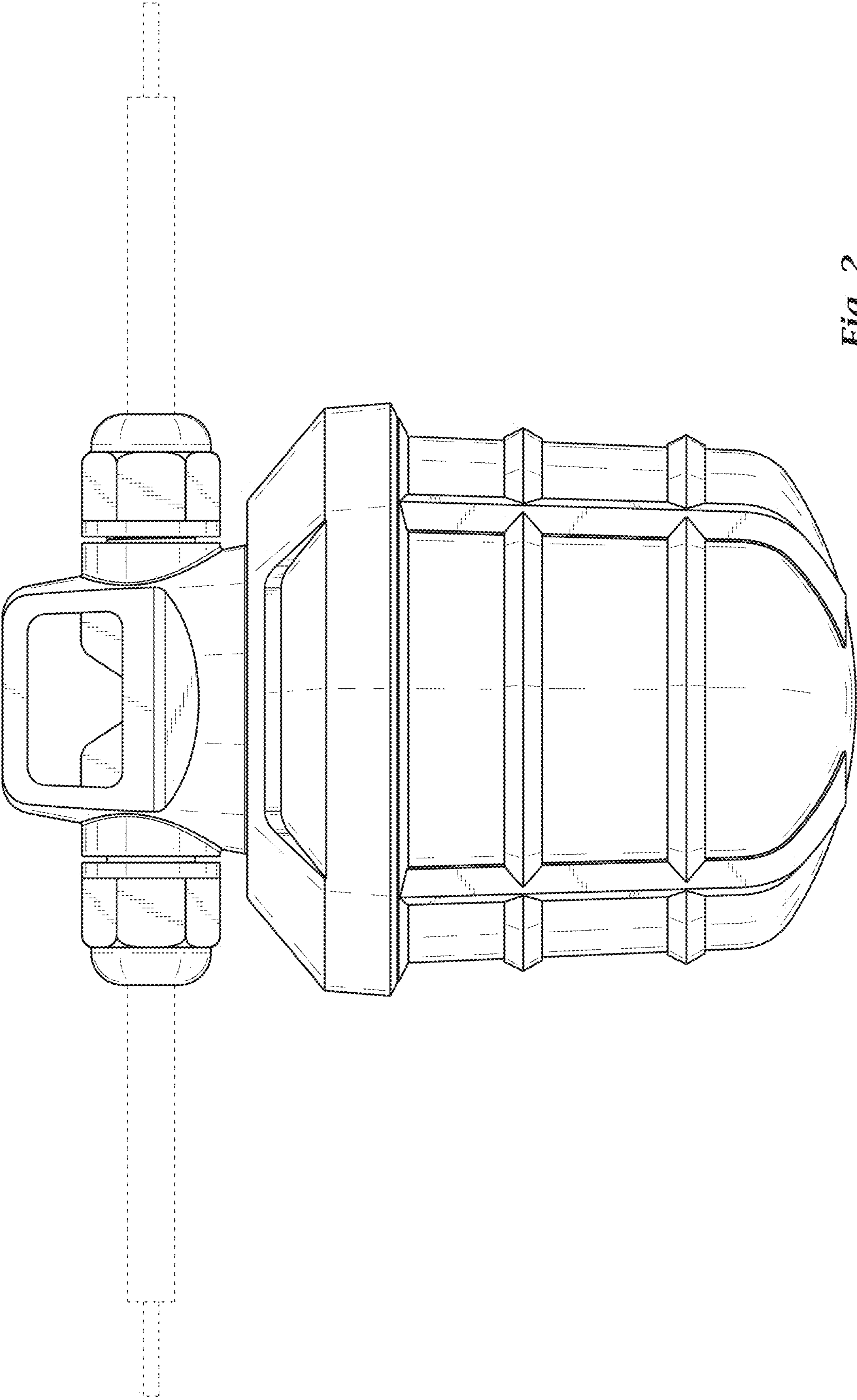


Fig. 2



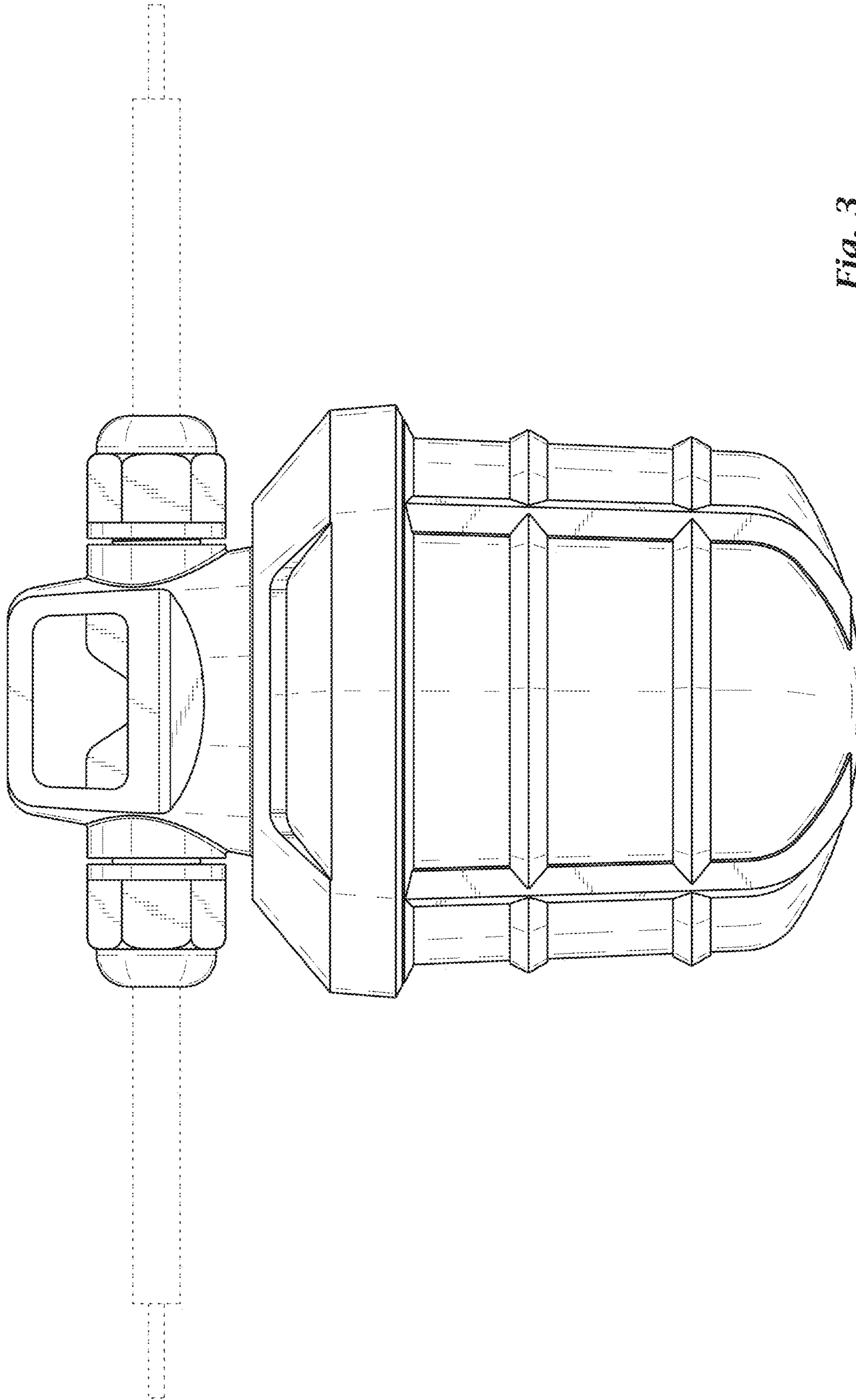


Fig. 3

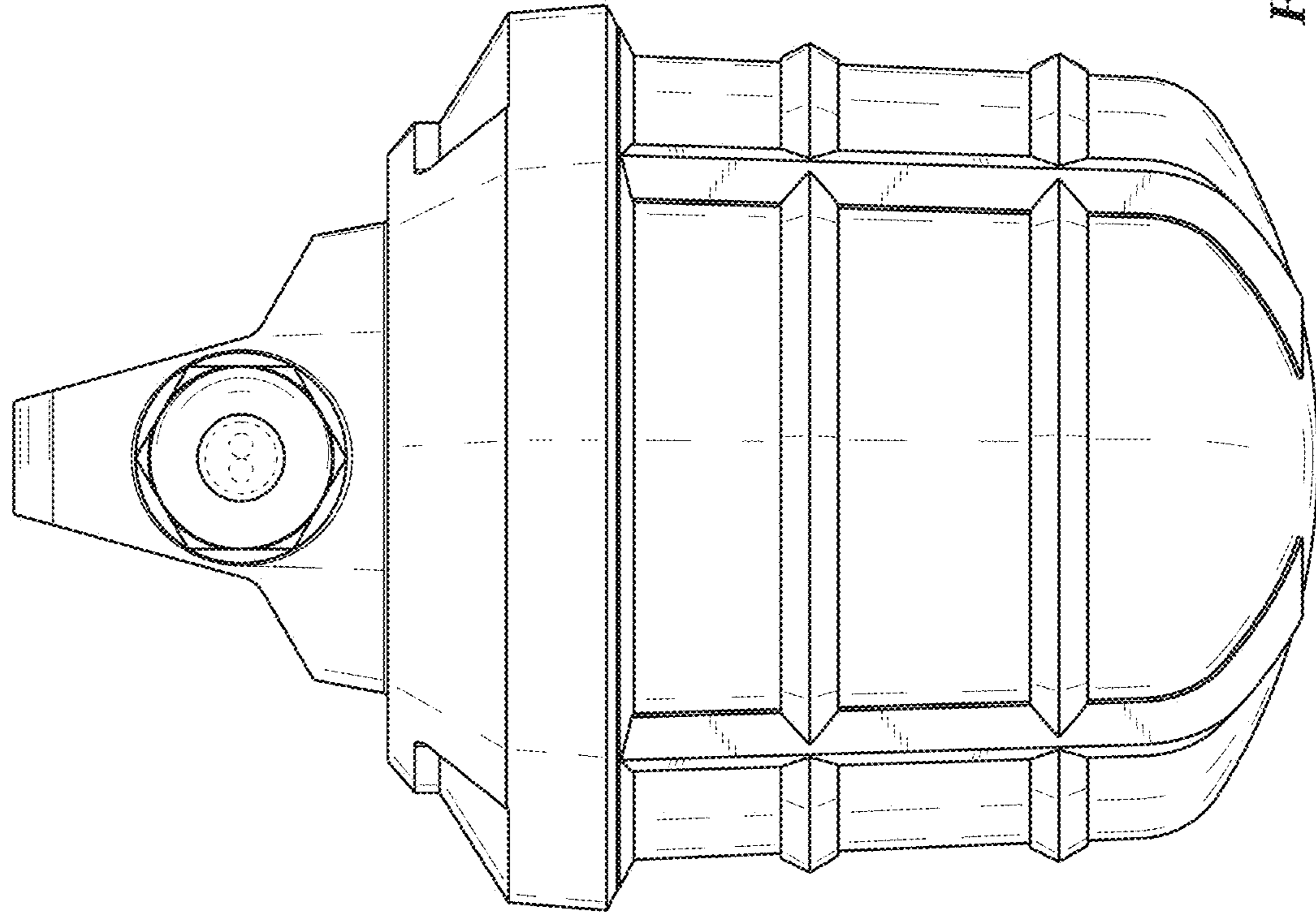


Fig. 4

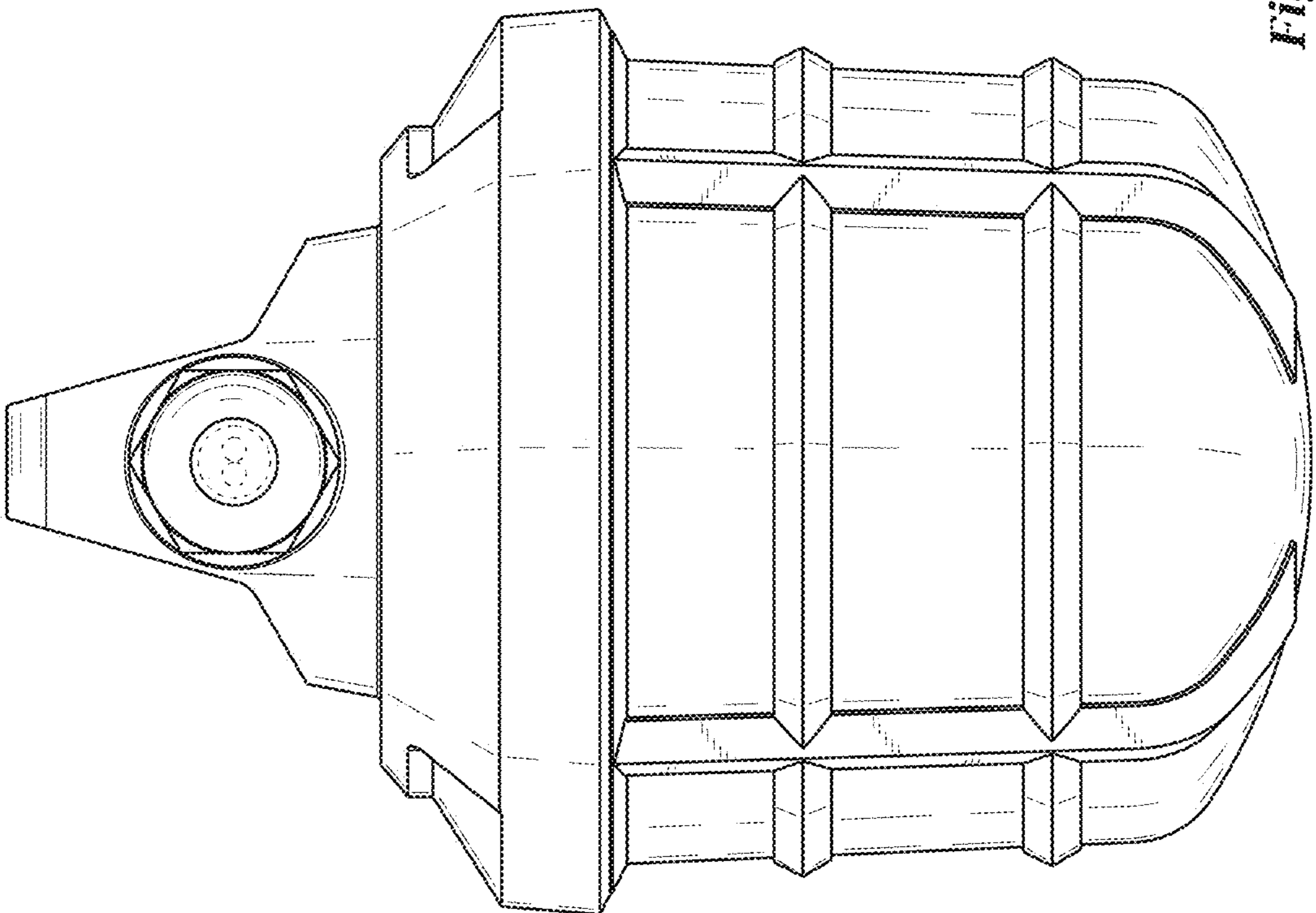


Fig. 5

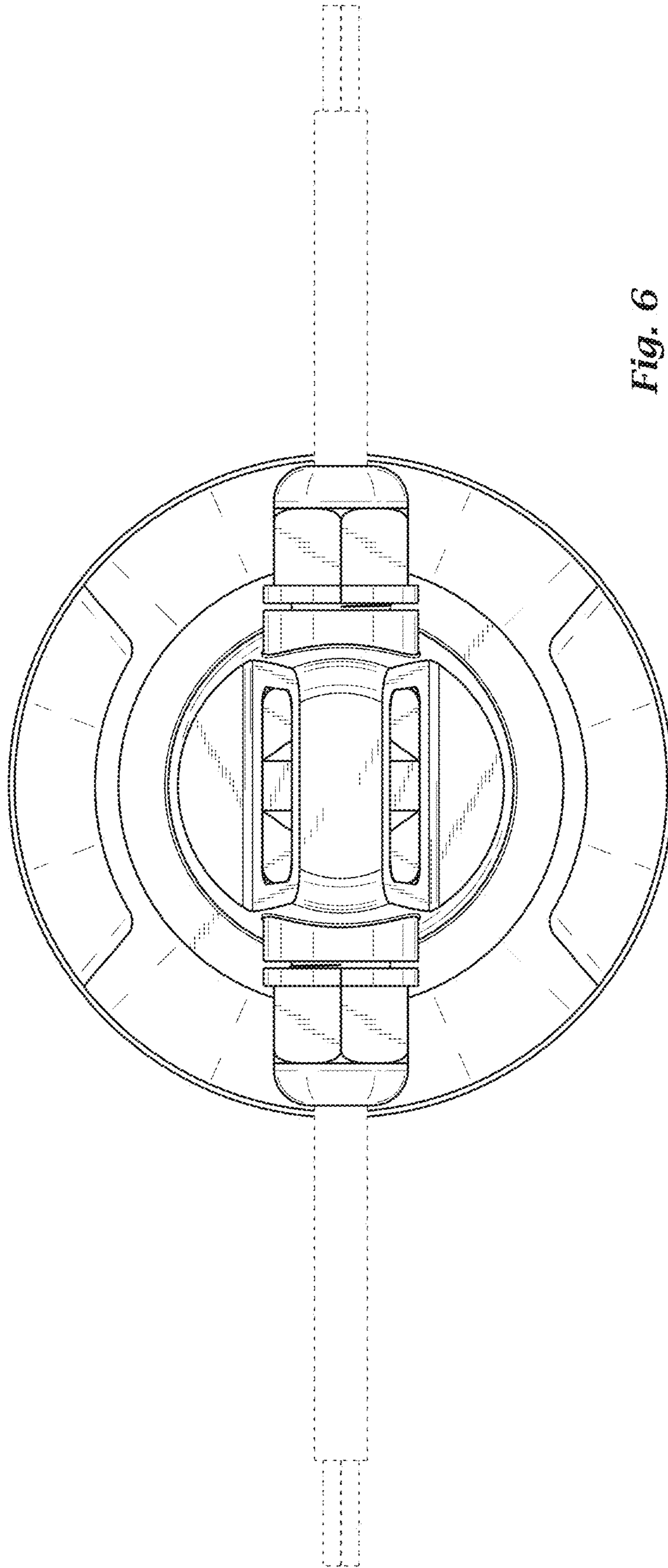


Fig. 6

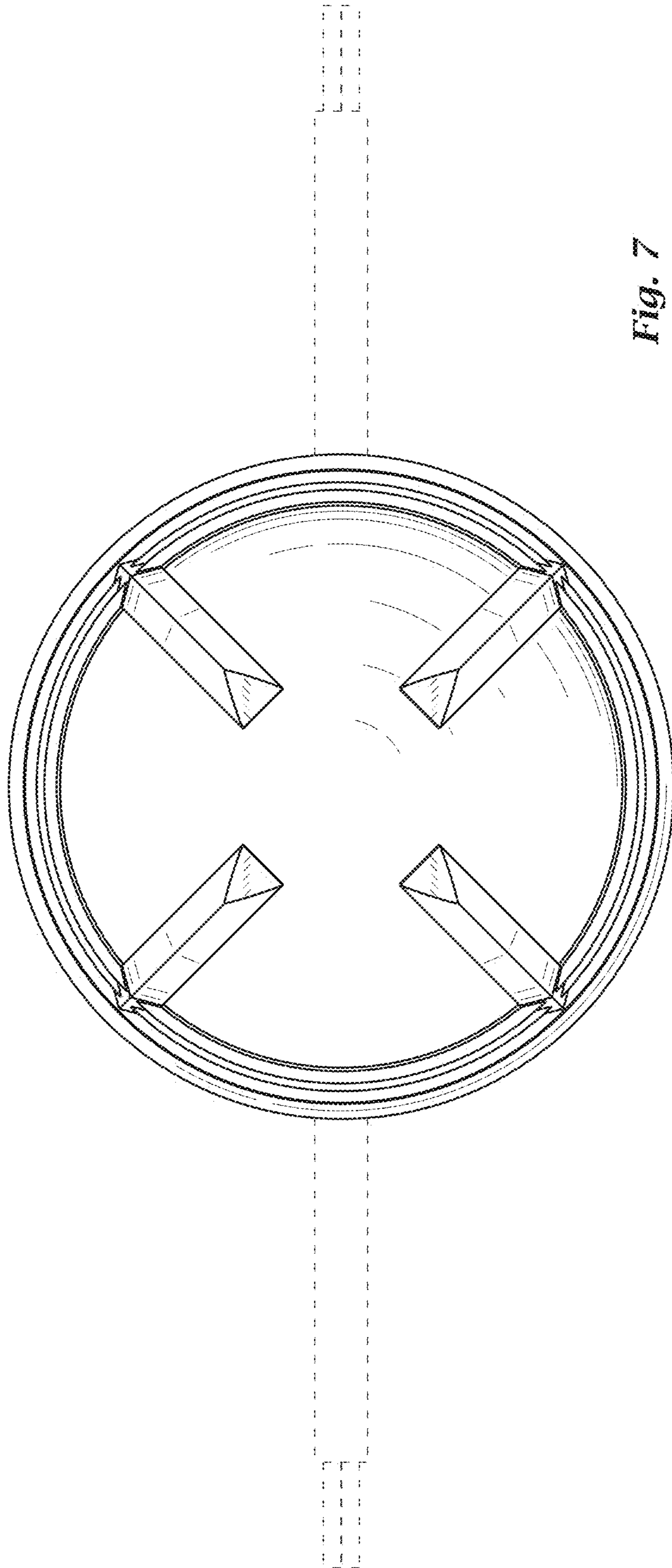


Fig. 7



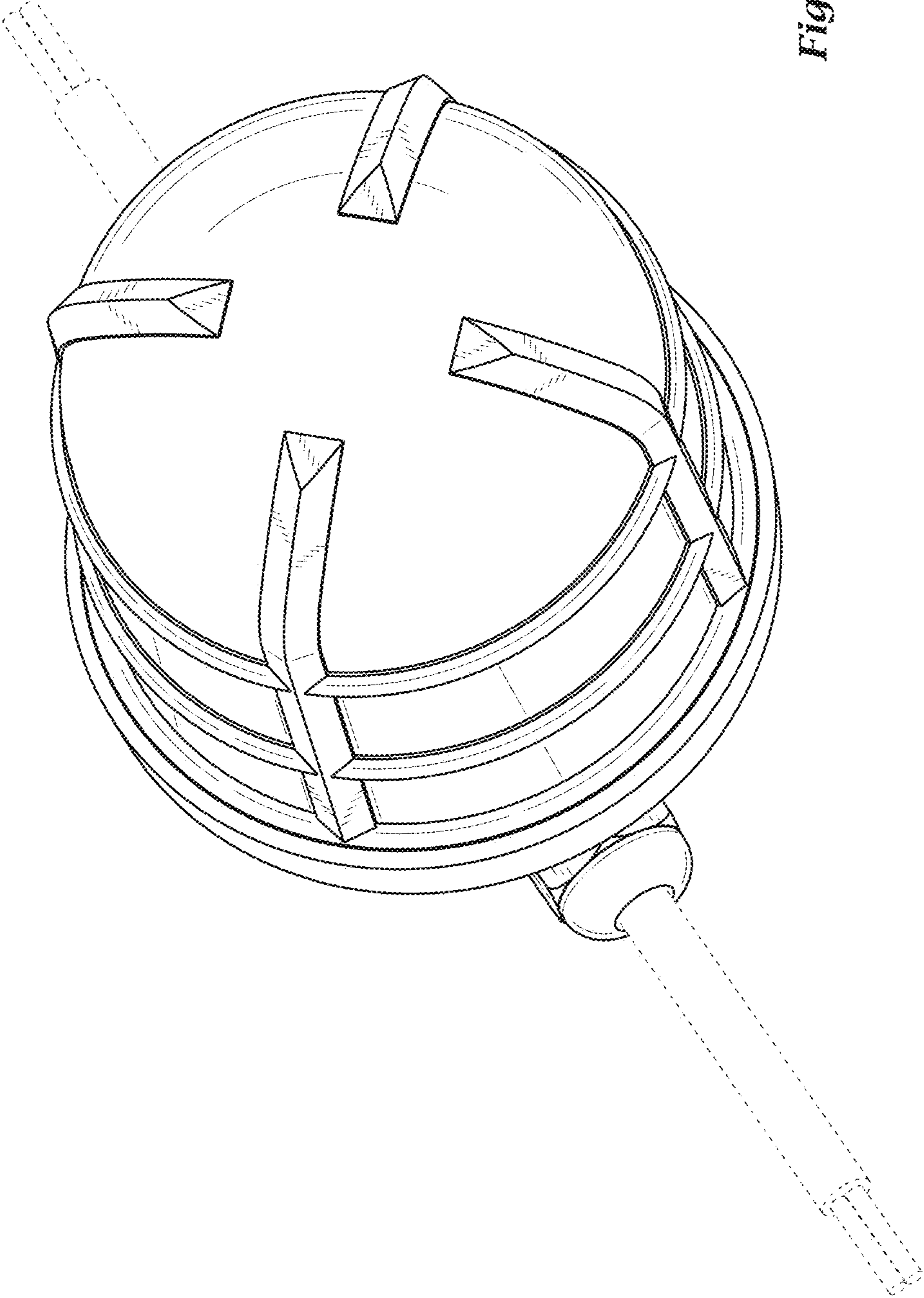


Fig. 8



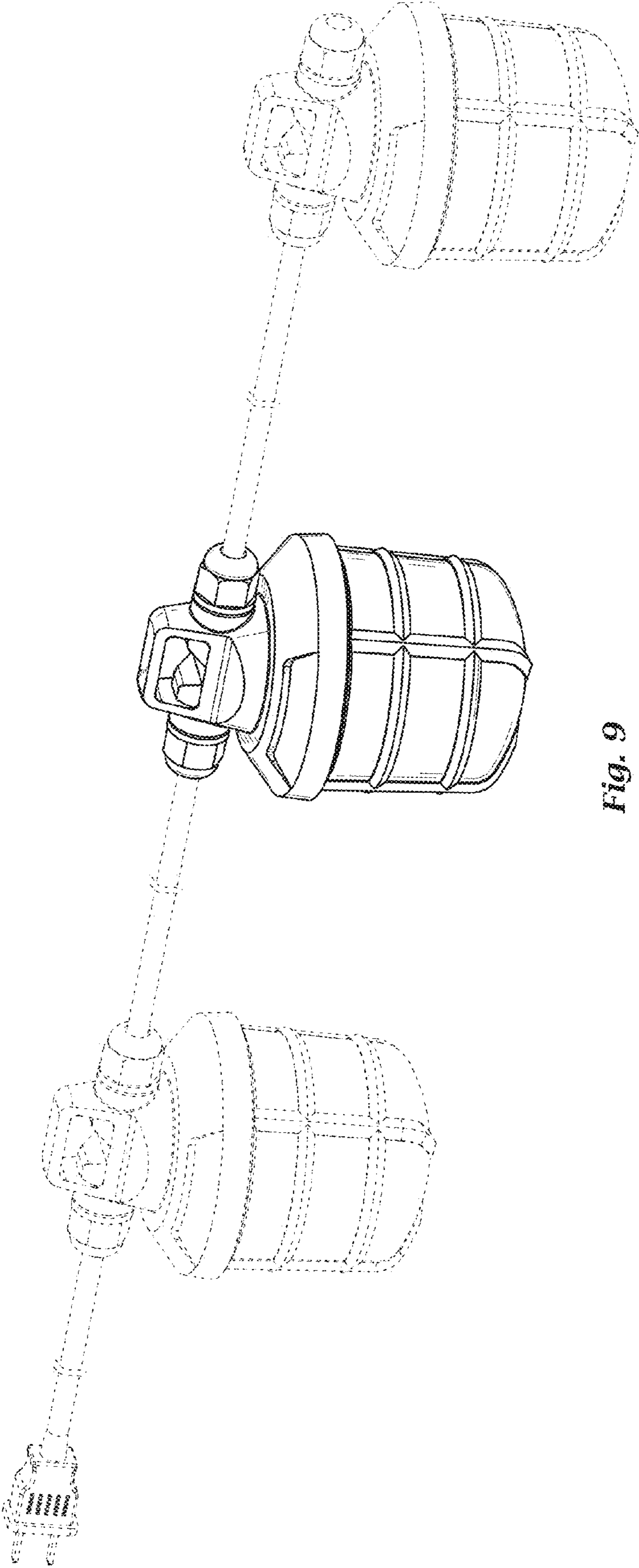


Fig. 9

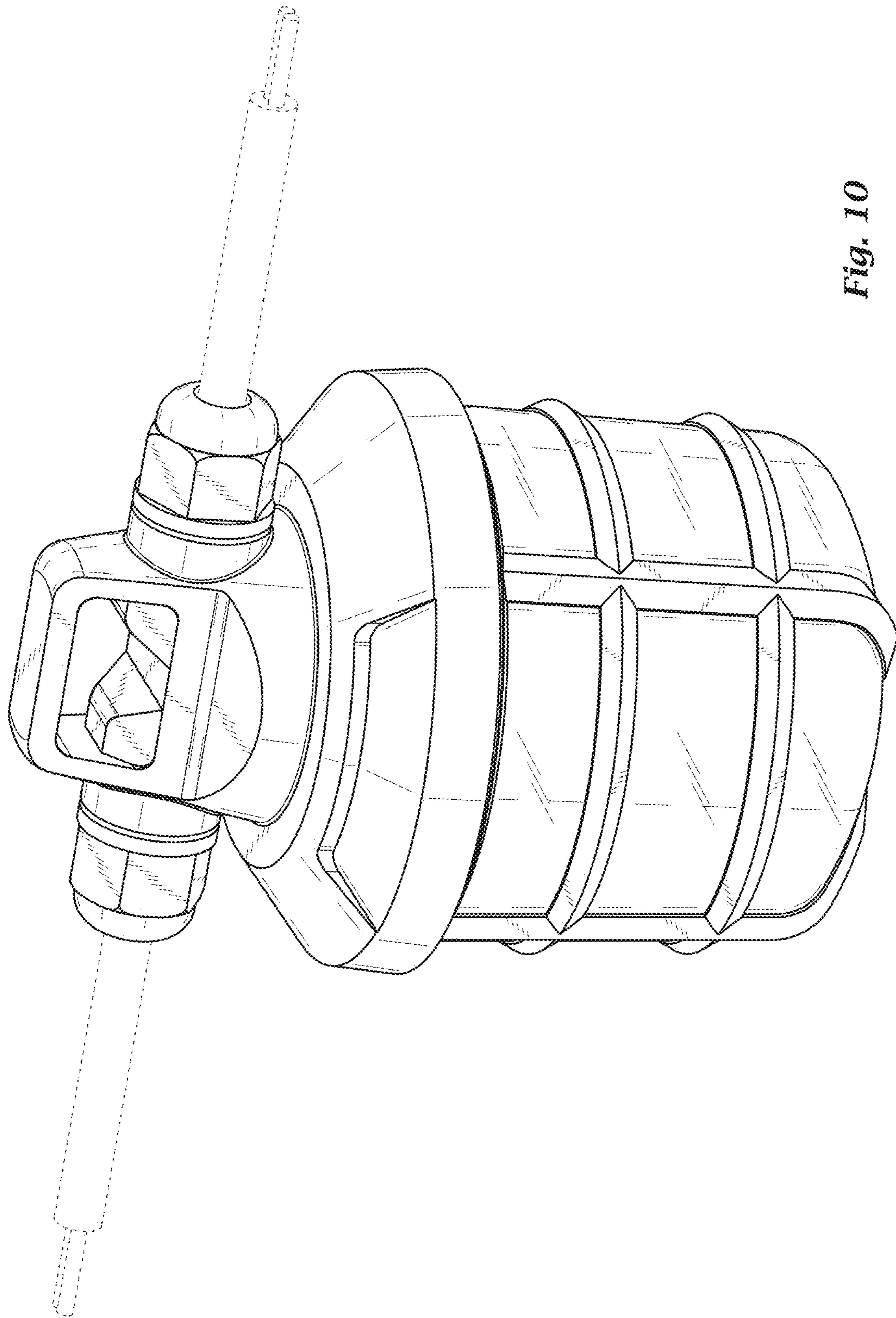
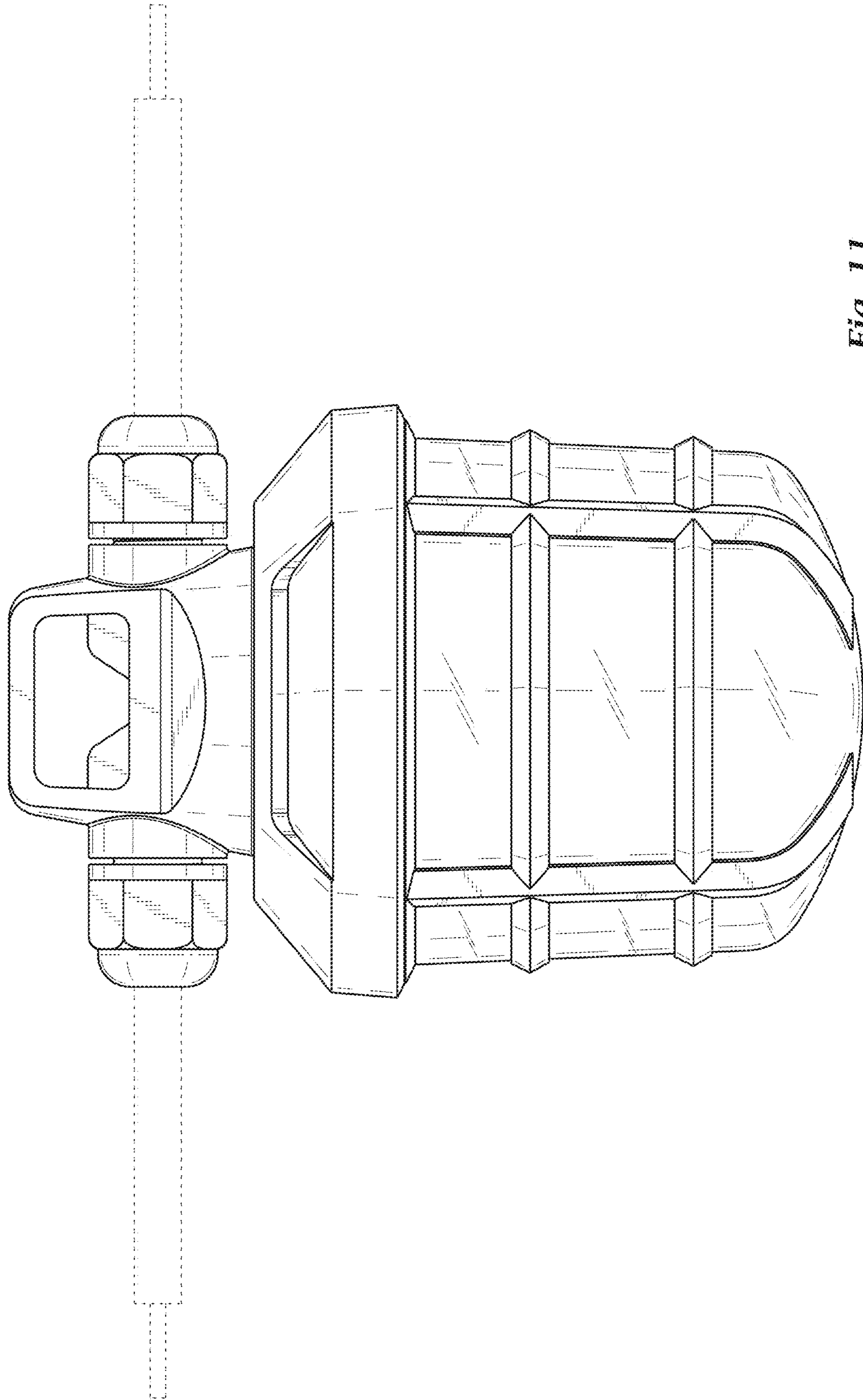


Fig. 10



*Fig. 11*

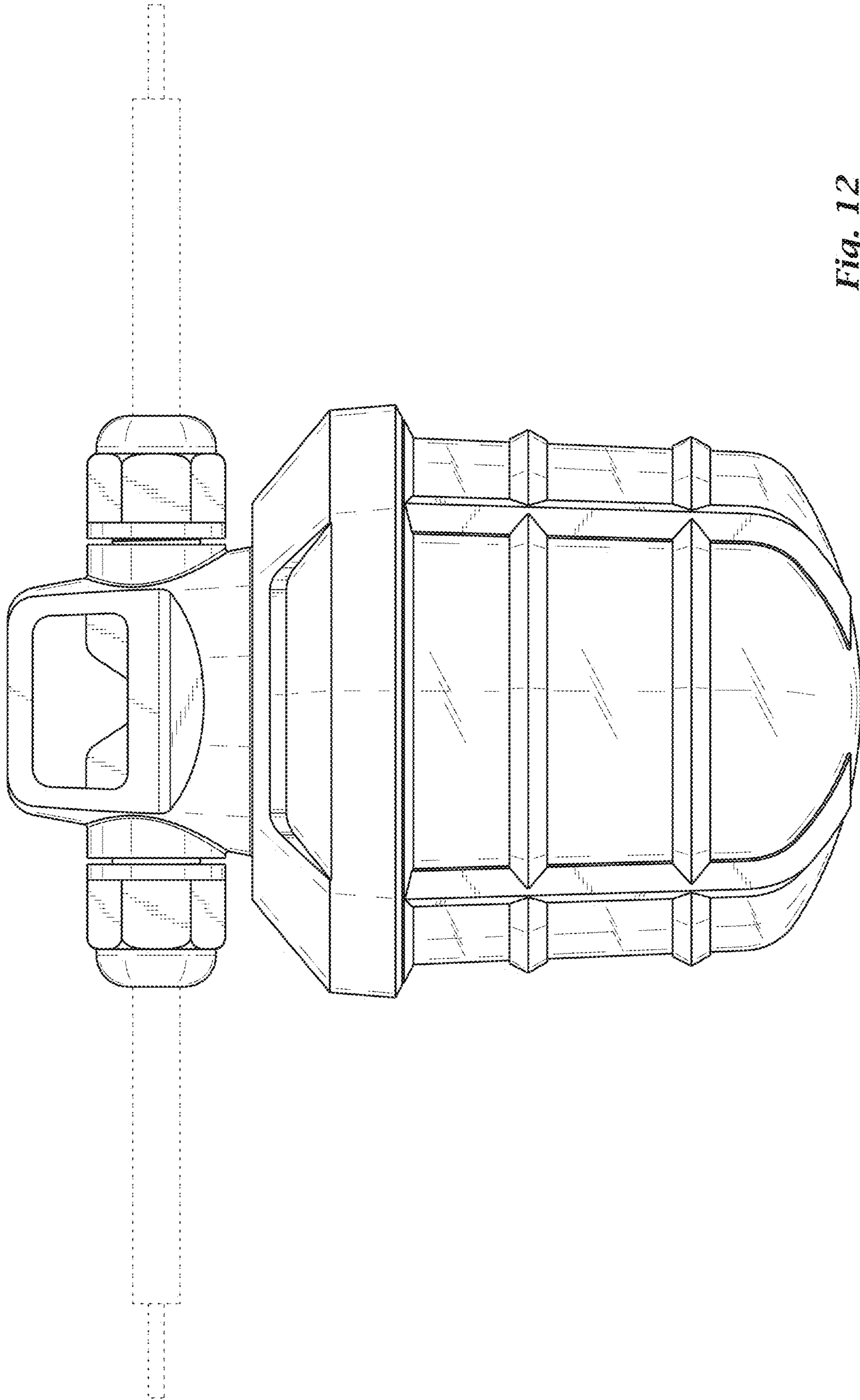


Fig. 12



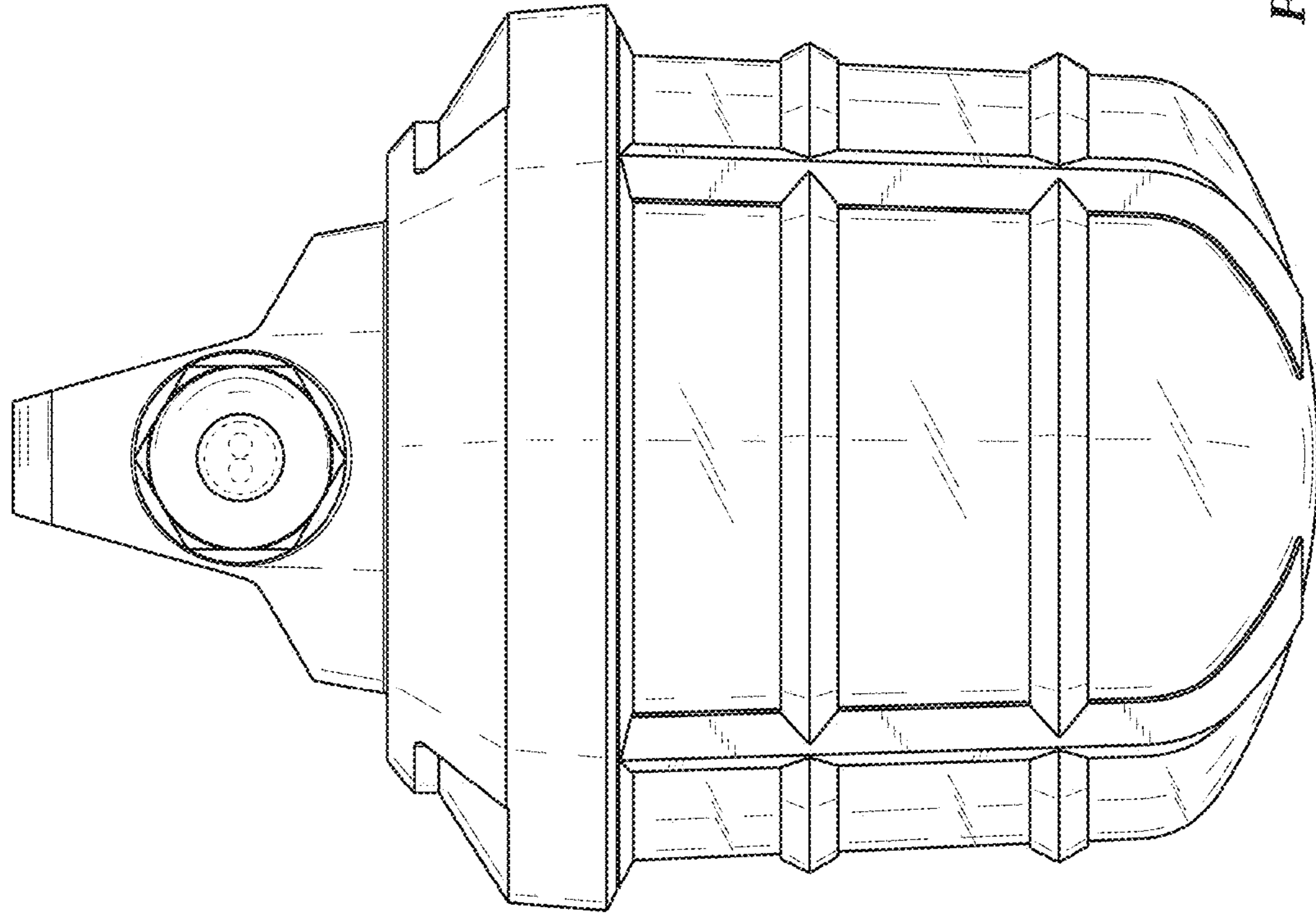


Fig. 13

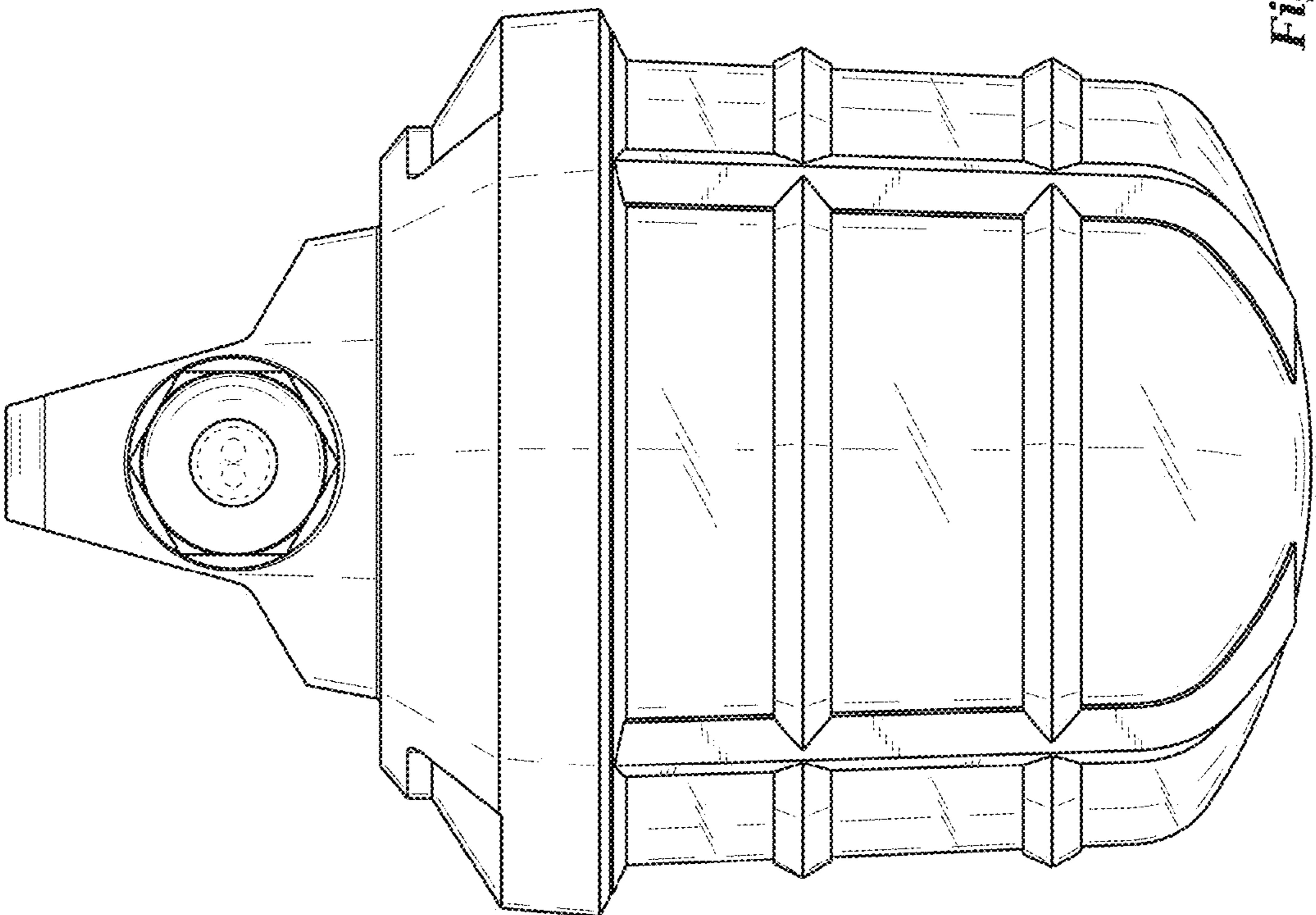


Fig. 14

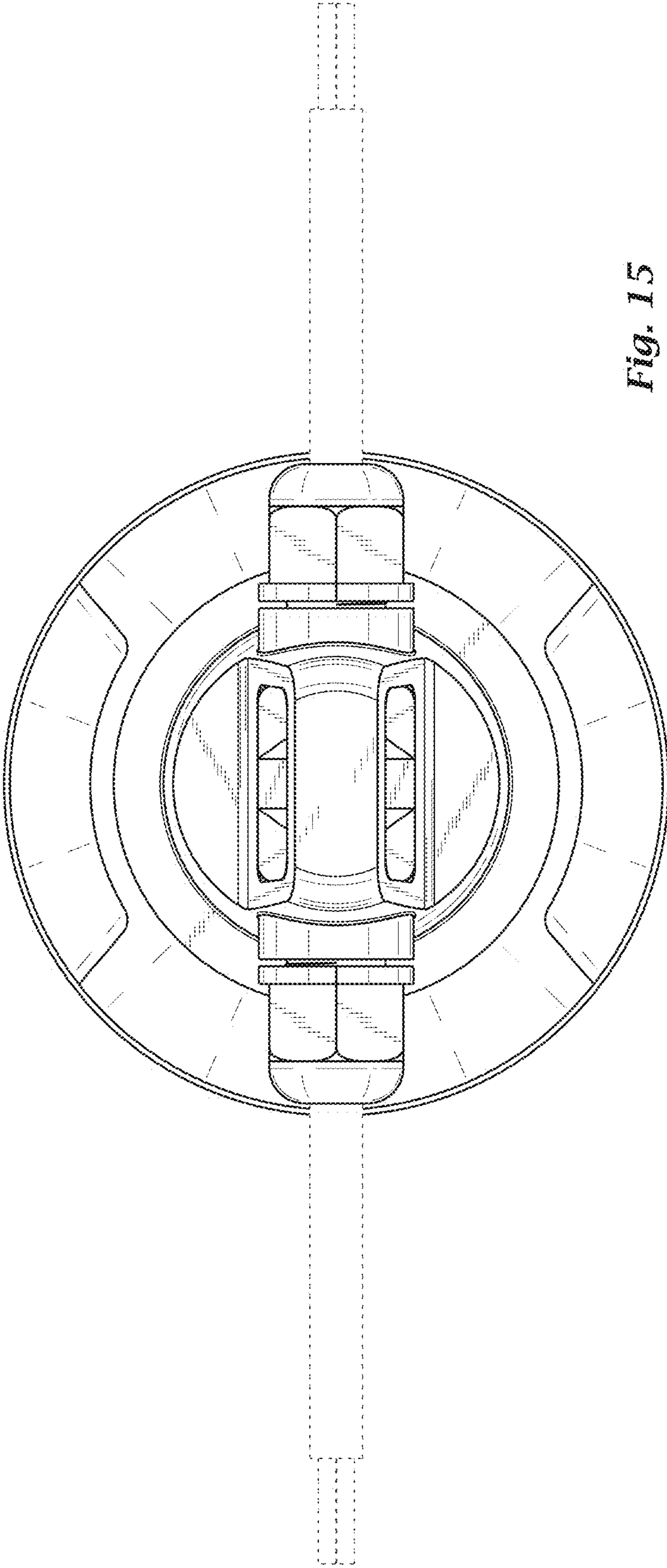


Fig. 15

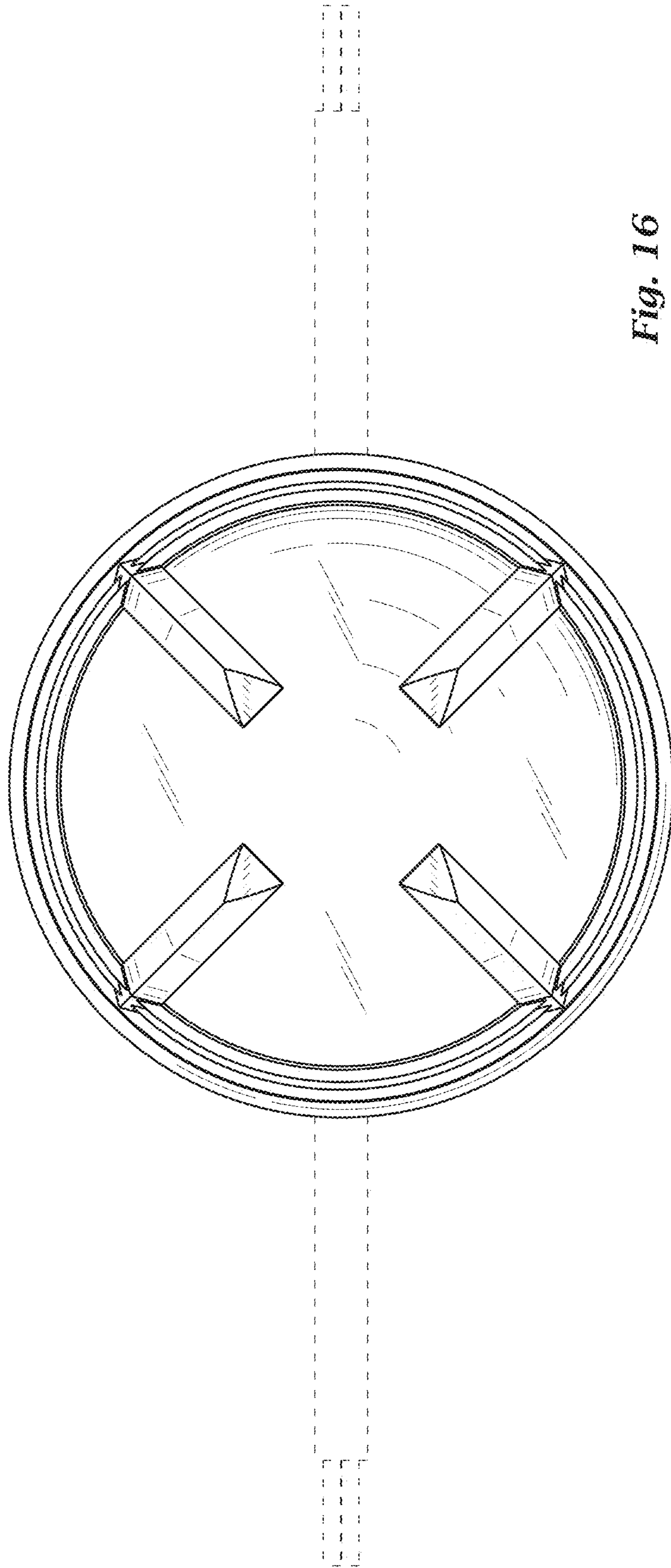


Fig. 16

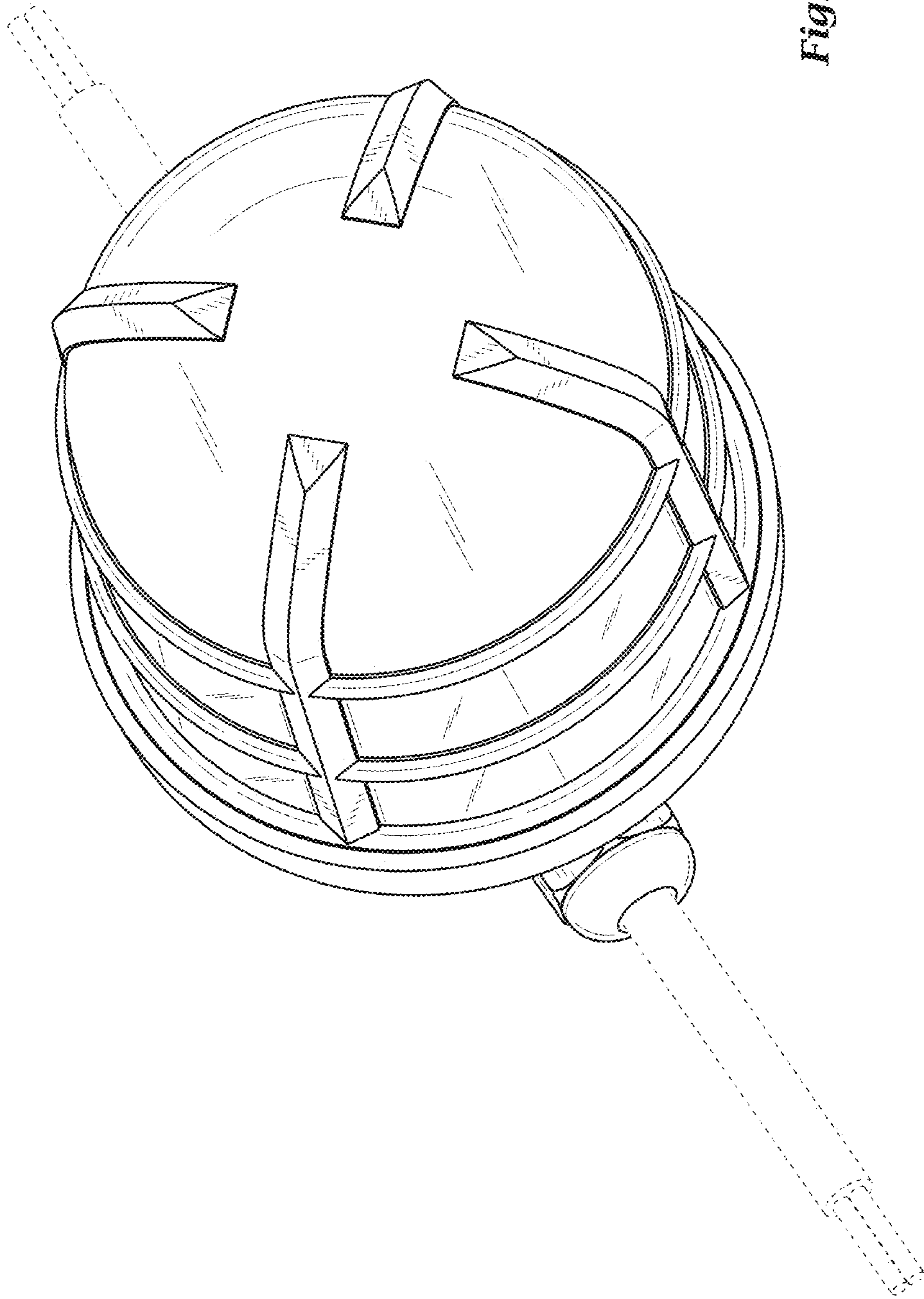


Fig. 17



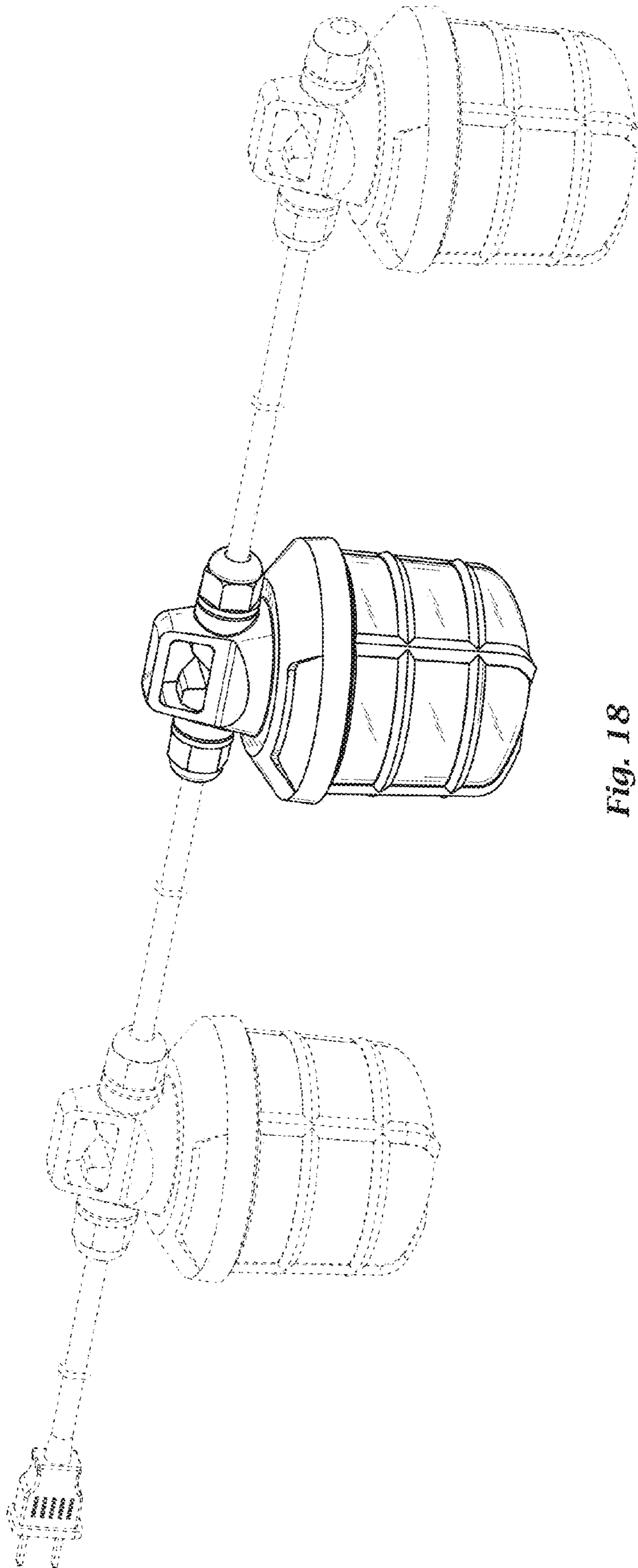


Fig. 18