

US00D917737S

(12) **United States Design Patent**
Zheng

(10) **Patent No.:** **US D917,737 S**

(45) **Date of Patent:** **** Apr. 27, 2021**

(54) **LED BULB**

(71) Applicant: **Lihua Zheng**, Shenzhen (CN)

(72) Inventor: **Lihua Zheng**, Shenzhen (CN)

(**) Term: **15 Years**

(21) Appl. No.: **29/756,947**

(22) Filed: **Nov. 2, 2020**

(51) **LOC (13) Cl.** **26-04**

(52) **U.S. Cl.**
USPC **D26/2**

(58) **Field of Classification Search**
USPC D26/1-4
CPC H01R 5/00; H01R 13/46; H01R 13/514;
H01R 31/02; H01R 31/048; H01J 5/00;
H01J 5/16; H01J 1/02; H01J 15/00; H01J
5/48; H01J 5/50; H01J 19/54; F21V 5/00;
F21K 9/00; F21K 13/00

See application file for complete search history.

(56) **References Cited**

U.S. PATENT DOCUMENTS

D410,554 S * 6/1999 Guyton D26/2
D422,099 S * 3/2000 Kracke D26/2

D549,360 S * 8/2007 An D26/2
D550,864 S * 9/2007 Hernandez, Jr. D26/2
D689,215 S * 9/2013 Xue D26/2
D702,371 S 4/2014 Yao et al.
D769,475 S 10/2016 Moon et al.
D787,713 S 5/2017 Wei et al.

* cited by examiner

Primary Examiner — Marcus A Jackson

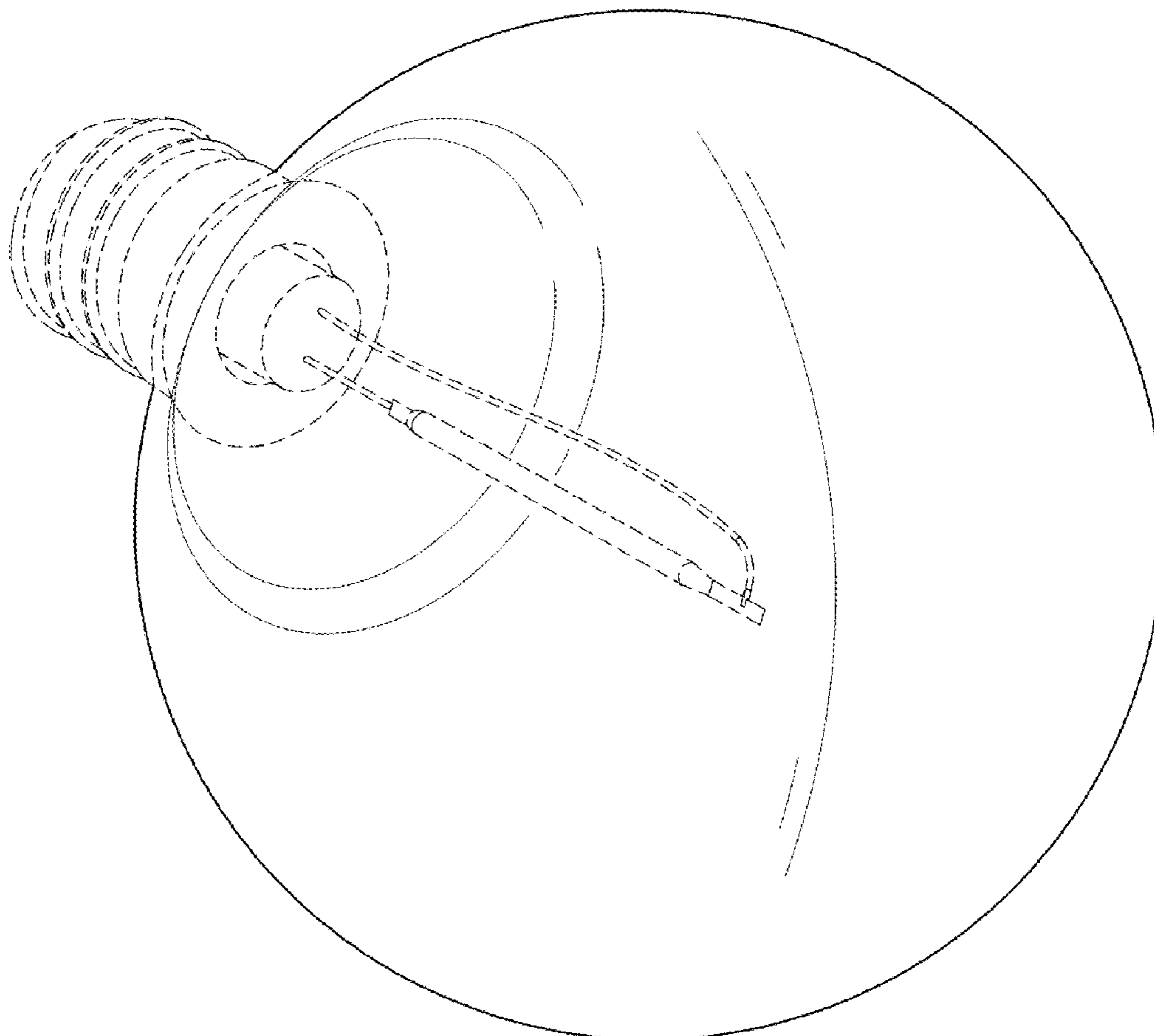
(57) **CLAIM**

The ornamental design for a LED bulb, as shown and described.

DESCRIPTION

FIG. 1 is a first perspective view of a LED bulb of showing my new design;
FIG. 2 is a second perspective view thereof;
FIG. 3 is a front view thereof;
FIG. 4 is a back view thereof;
FIG. 5 is a left side view thereof;
FIG. 6 is a right side view thereof;
FIG. 7 is a top view thereof; and,
FIG. 8 is a bottom view thereof.
The broken lines shown in the drawings depict portions of the LED bulb in which the design is embodied that form no part of the claimed design.

1 Claim, 8 Drawing Sheets



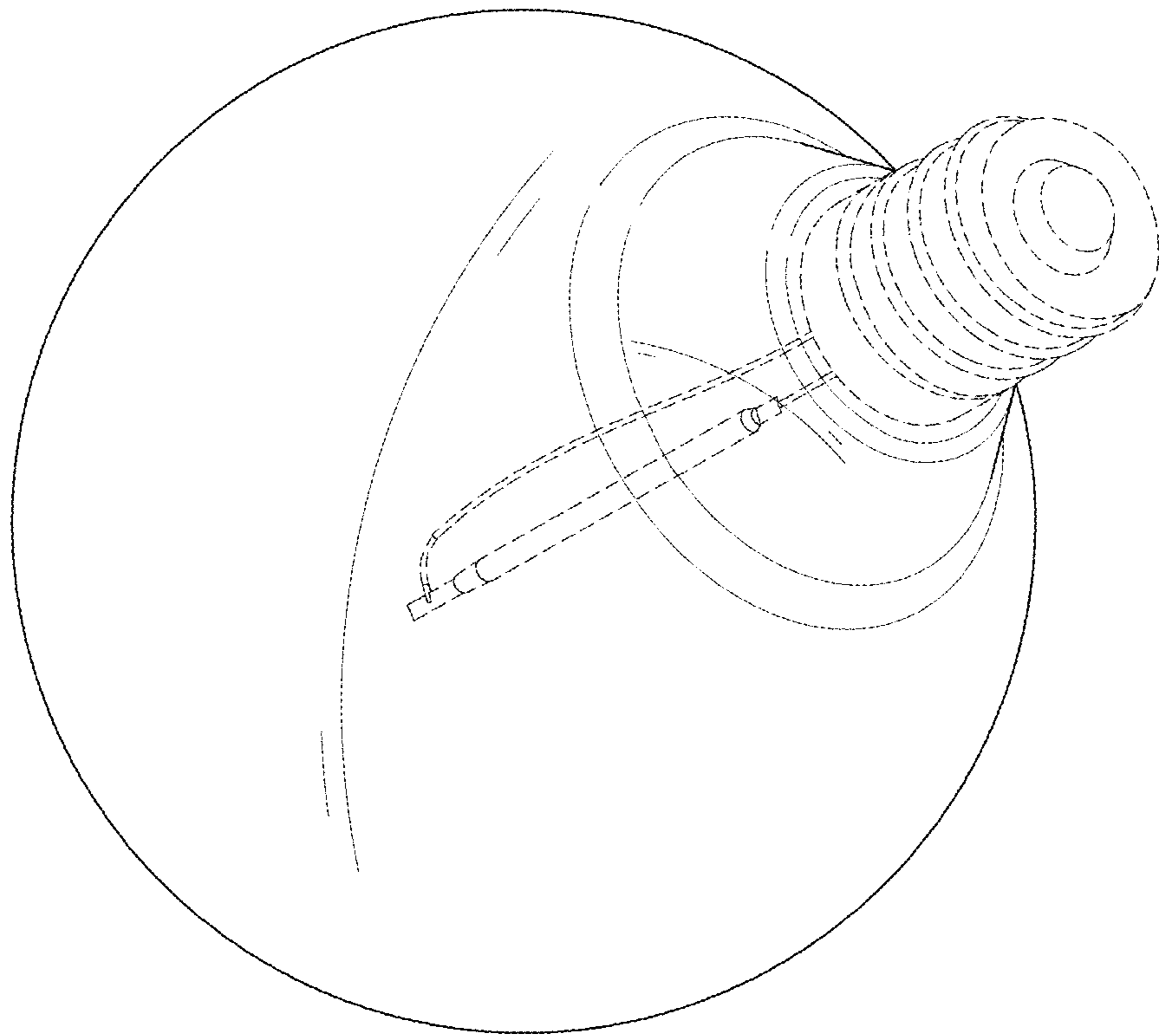


FIG. 1

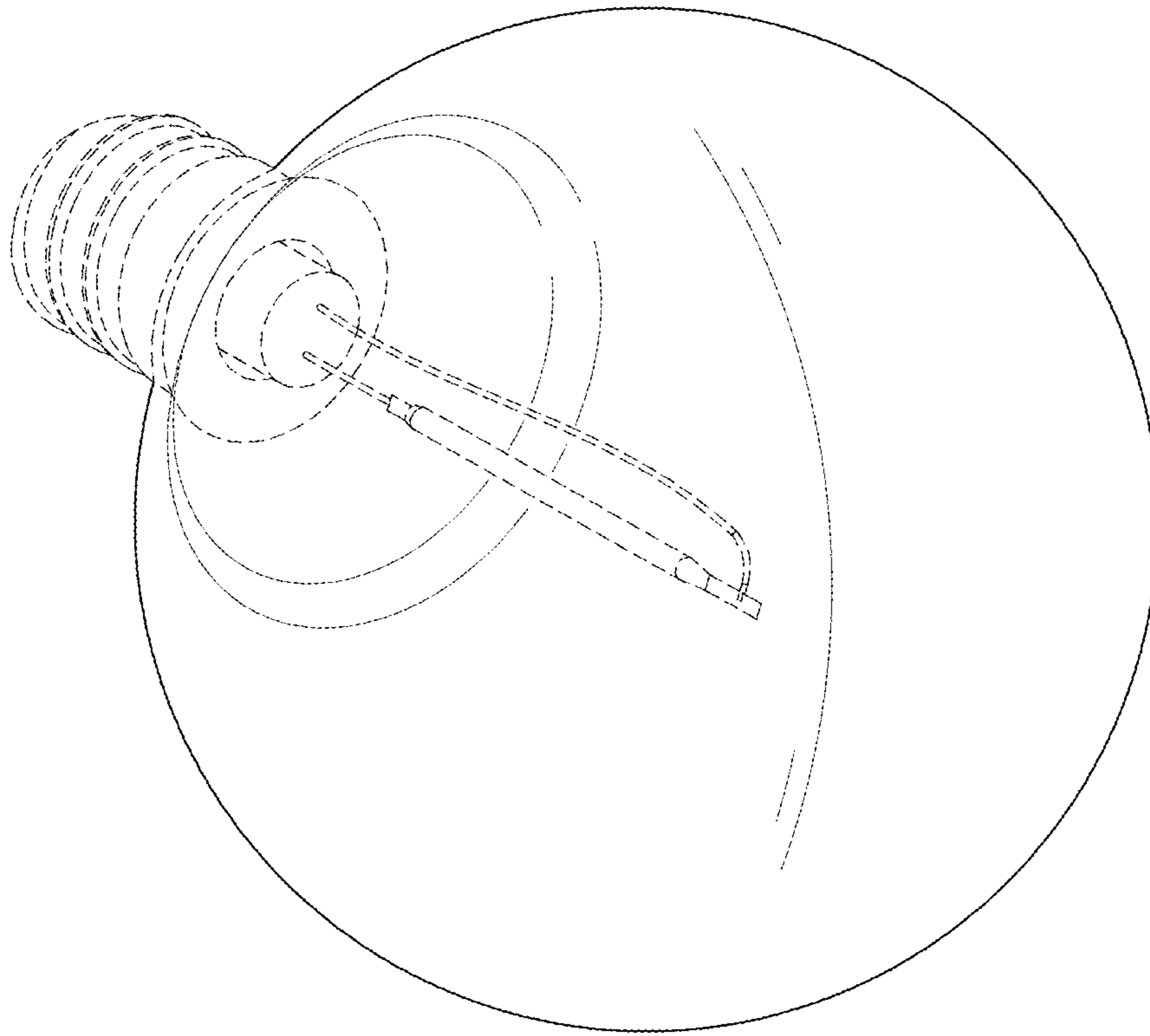


FIG. 2

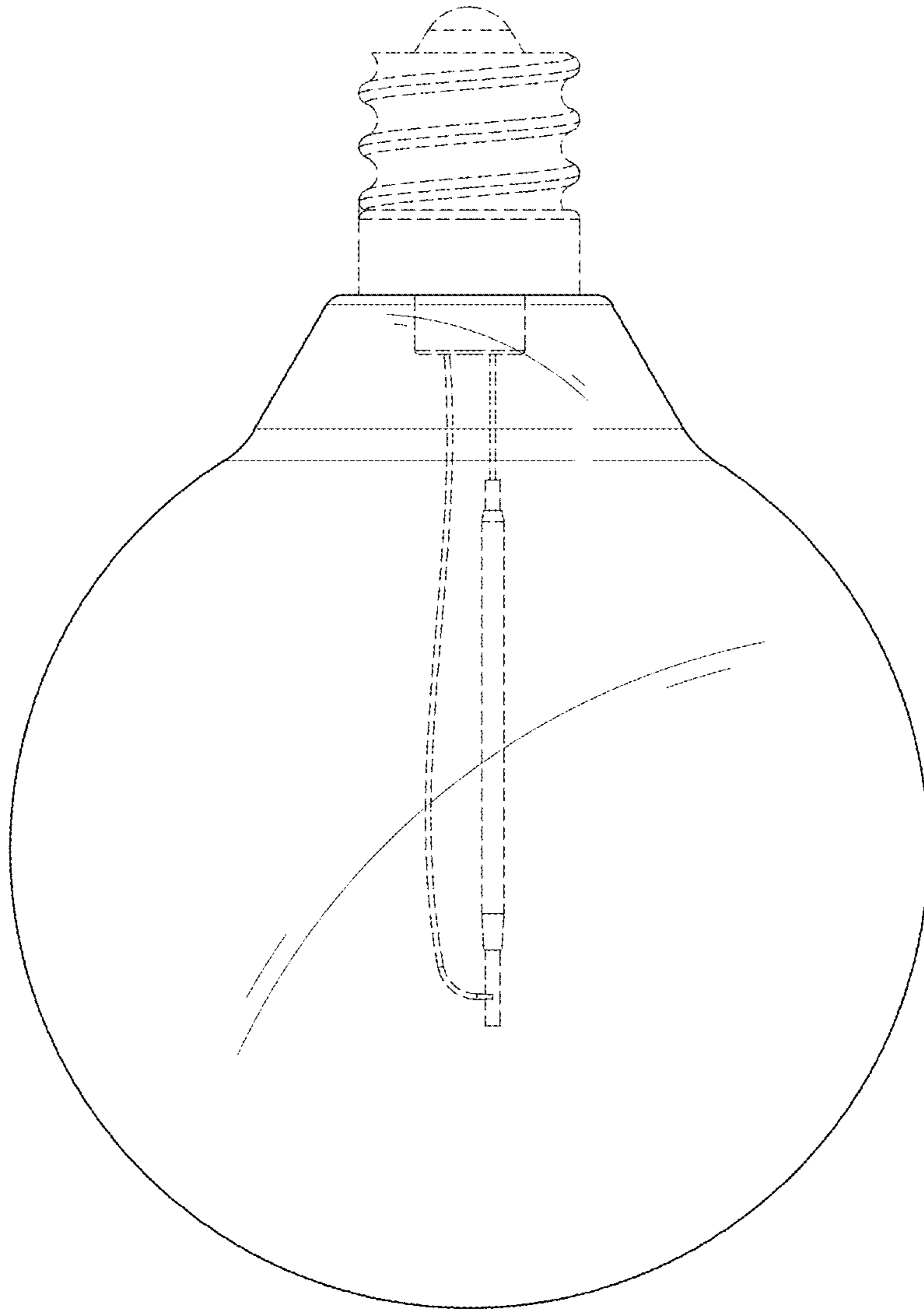


FIG. 3

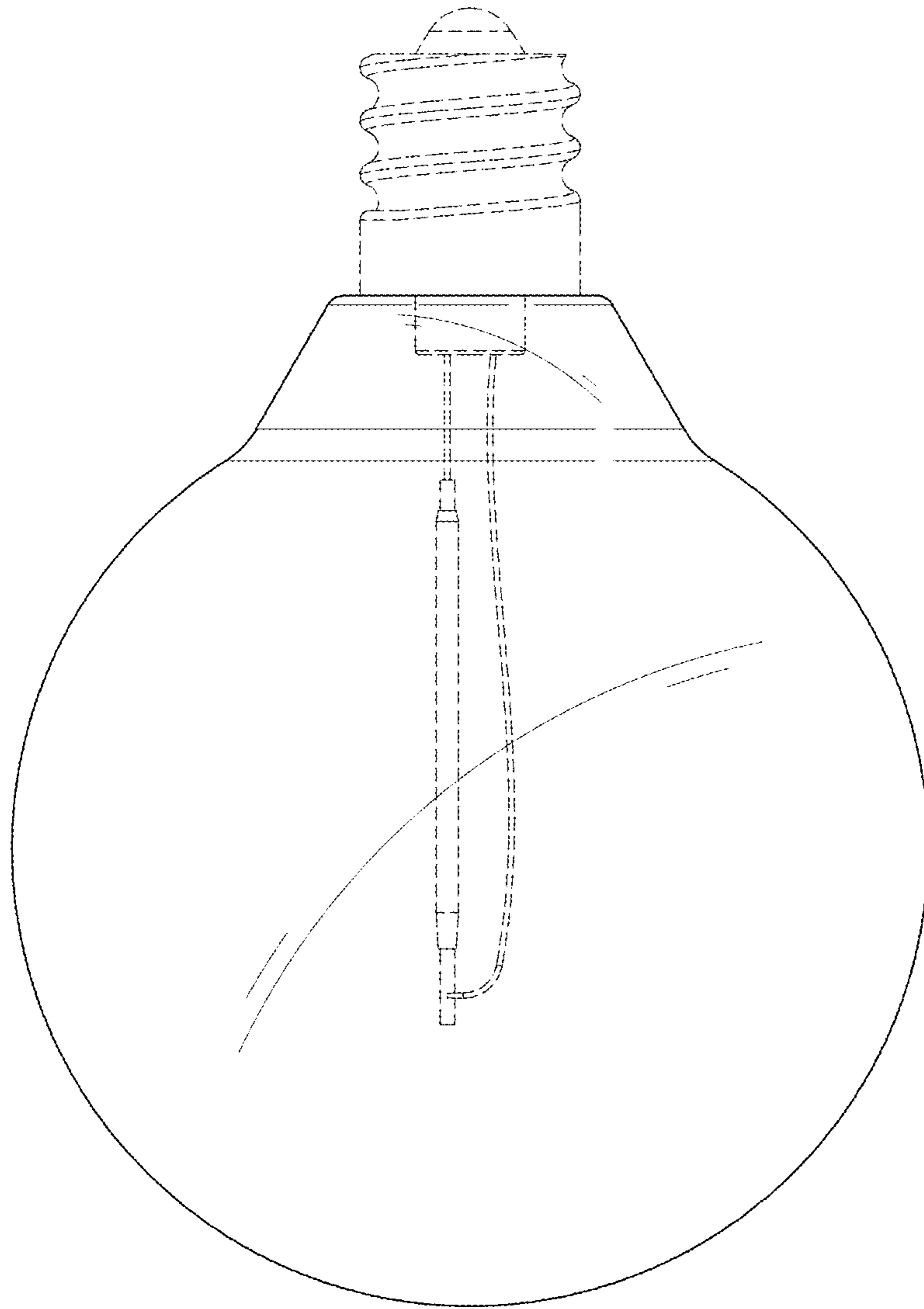


FIG. 4

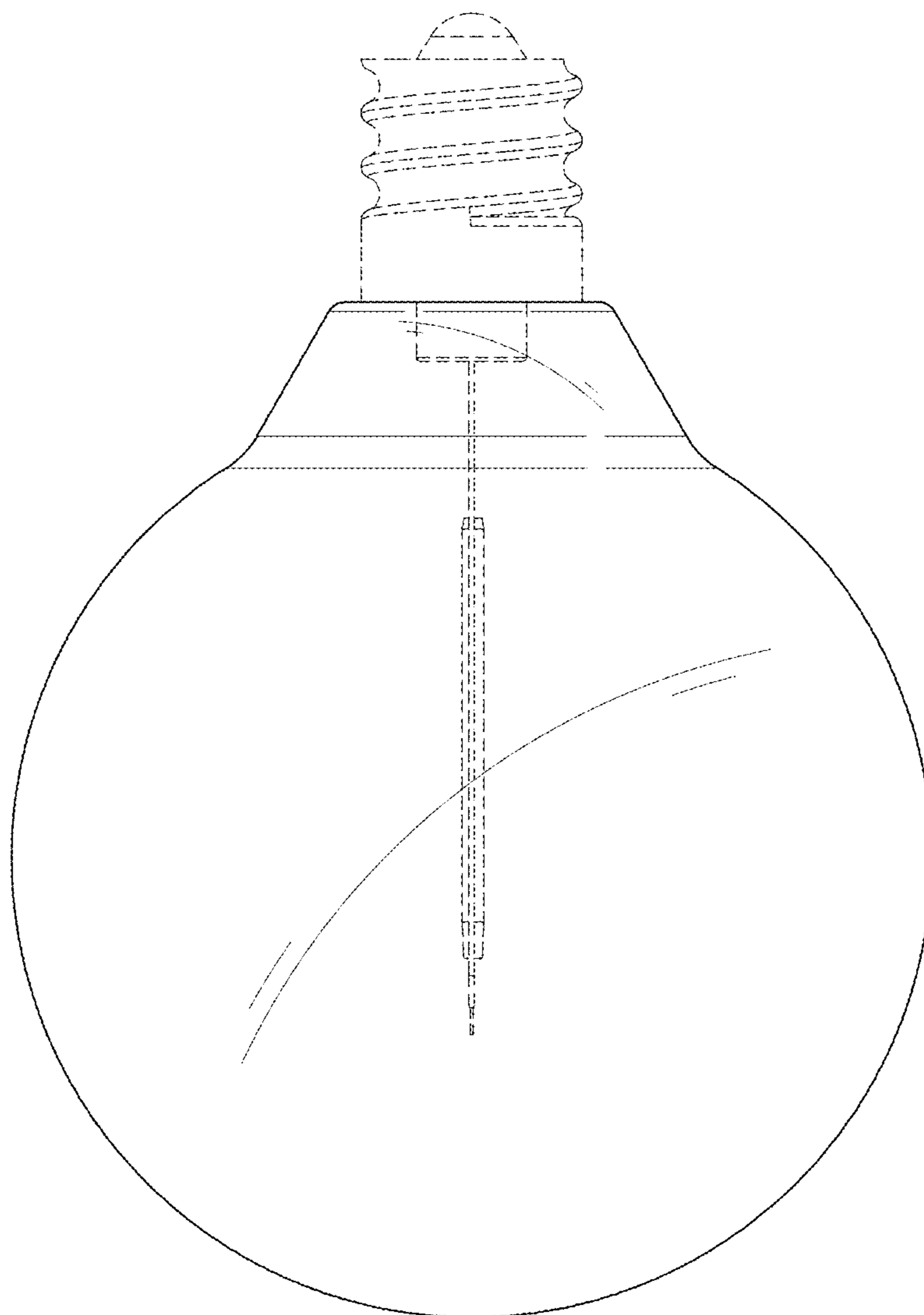


FIG. 5

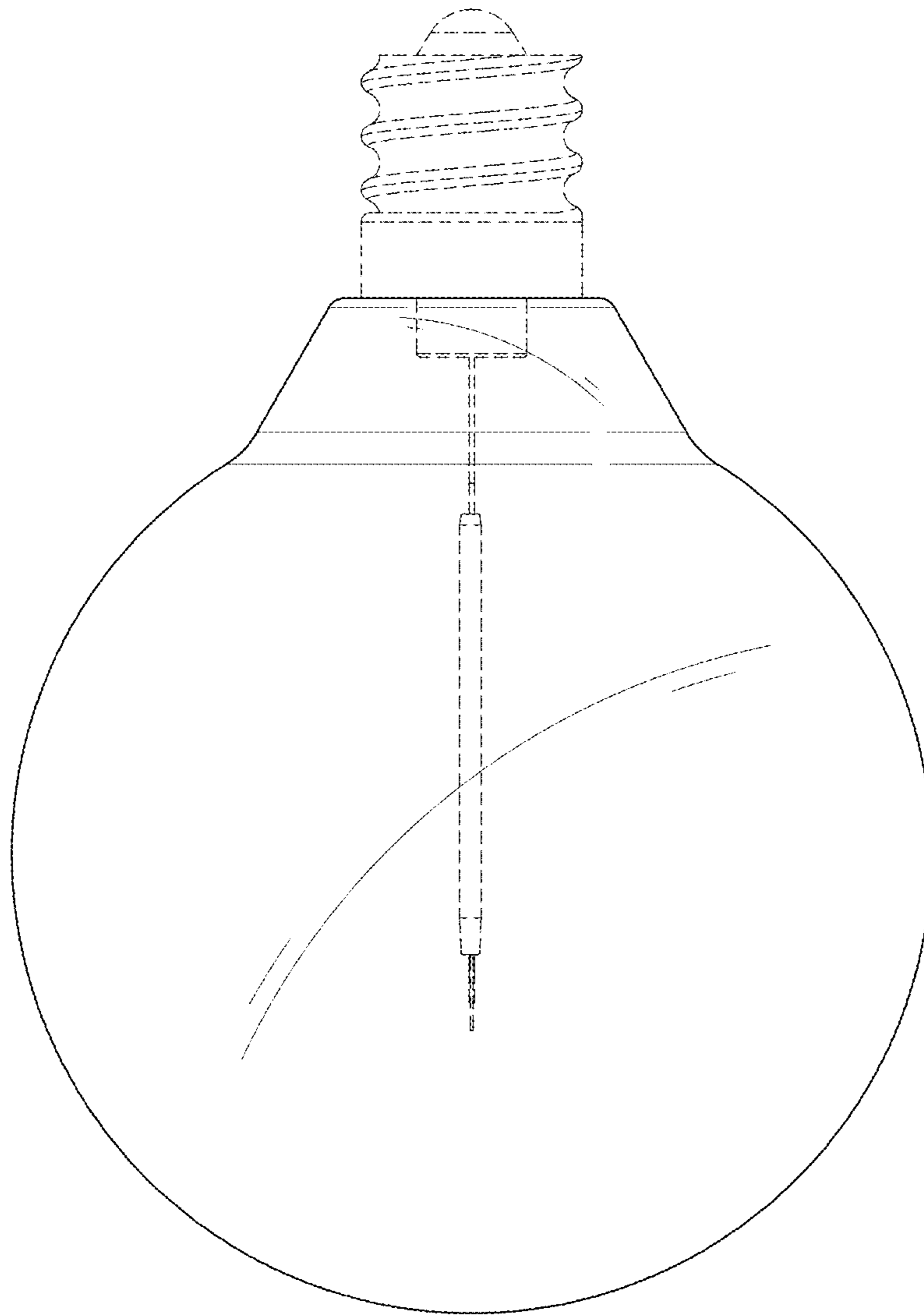


FIG. 6

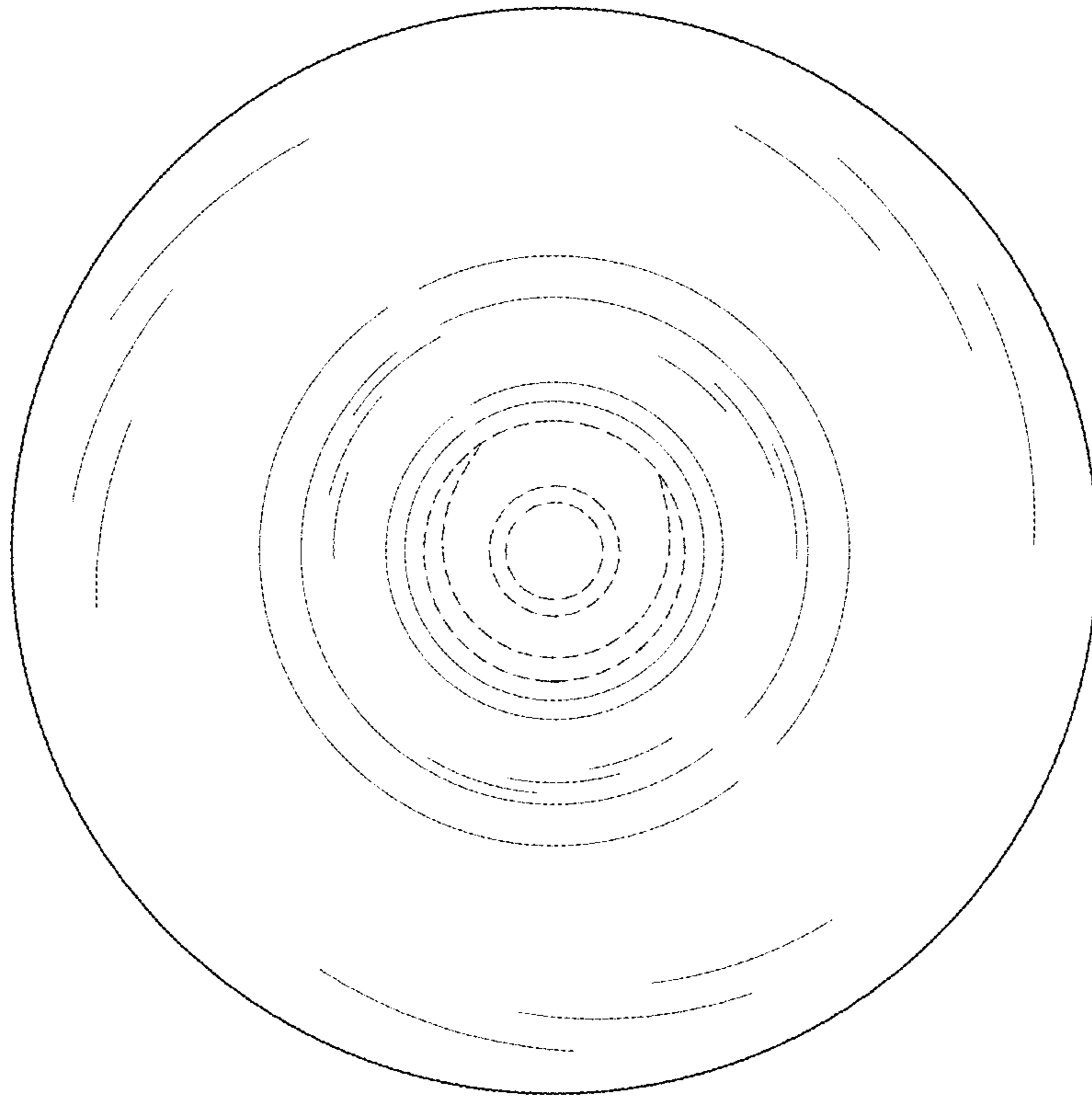


FIG. 7

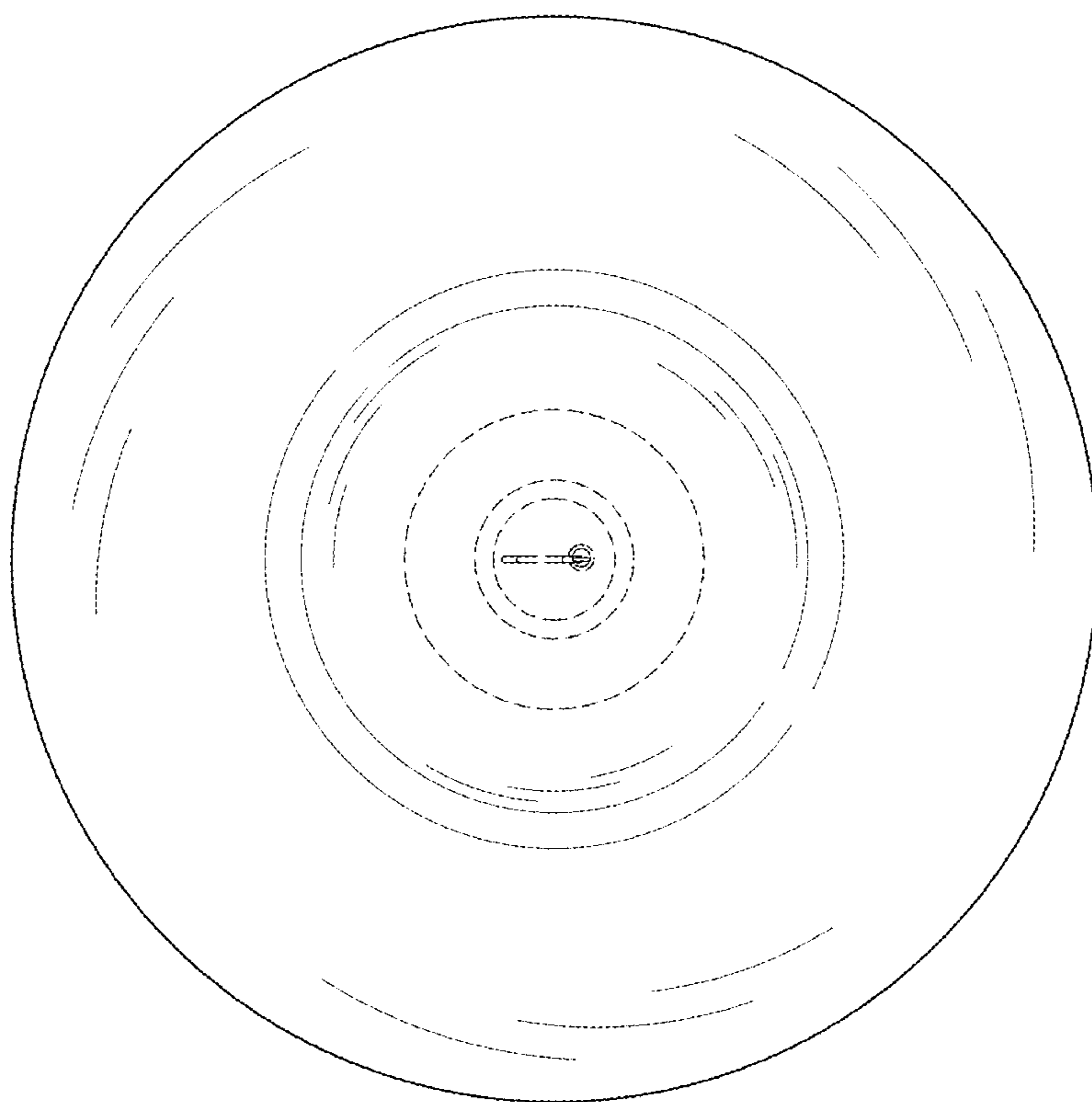


FIG. 8