



US00D917735S

(12) **United States Design Patent** (10) **Patent No.:** **US D917,735 S**
Repasky et al. (45) **Date of Patent:** **** Apr. 27, 2021**

(54) **PAVER SUPPORT**

FOREIGN PATENT DOCUMENTS

(71) Applicant: **Hanover Prest-Paving Company**,
Hanover, PA (US)

CN 302306052 * 1/2013
CN 304002674 * 1/2017
EM 002562306-0001 * 11/2014

(72) Inventors: **Kevin Repasky**, Hanover, PA (US);
Brian Repasky, York, PA (US)

OTHER PUBLICATIONS

(73) Assignee: **Hanover Prest-Paving Company**,
Hanover, PA (US)

Hanover Architectural Products Steve Kane's Sale's & Consulting
[https://www.stevekanesales.com/news/2019/5/6/hanover-architectural-products May 2019](https://www.stevekanesales.com/news/2019/5/6/hanover-architectural-products-May-2019) (Year: 2019).*

(**) Term: **15 Years**

* cited by examiner

(21) Appl. No.: **29/684,158**

Primary Examiner — Leanne Was-Englehart

(22) Filed: **Mar. 19, 2019**

(74) *Attorney, Agent, or Firm* — Barley Snyder

(51) **LOC (13) Cl.** **25-01**

(52) **U.S. Cl.**
USPC **D25/199**

(57) **CLAIM**

(58) **Field of Classification Search**
USPC D8/349, 352, 355, 356, 358, 359, 375,
D8/380, 499; D25/199
CPC E04F 15/02044; E04F 15/02183; E04F
15/02447; E04F 15/02464; E01C 3/006;
E01C 11/12; E01C 5/223; E04D 11/005;
E04D 11/007
See application file for complete search history.

The ornamental design for a paver support, as shown and described.

DESCRIPTION

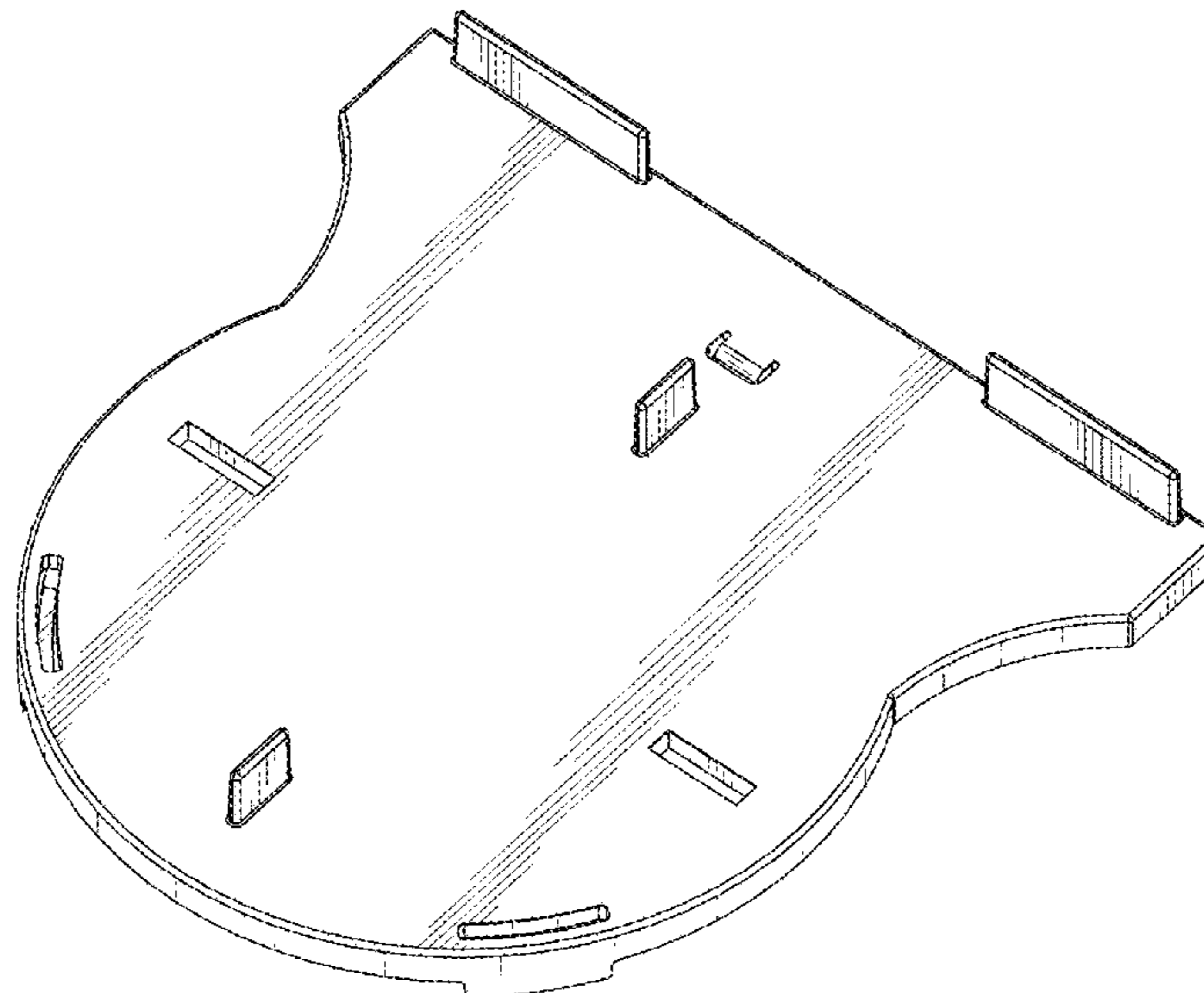
(56) **References Cited**

U.S. PATENT DOCUMENTS

5,442,882 A * 8/1995 Repasky E04D 11/007
248/188.4
6,520,471 B2 * 2/2003 Jones E01C 5/223
248/346.3
D557,830 S * 12/2007 Lee D25/199
9,677,690 B2 * 6/2017 Lalancette F16L 3/04
D861,197 S * 9/2019 Lee D25/199
D883,522 S * 5/2020 He D25/128
D889,694 S * 7/2020 Burgio D25/199
D893,764 S * 8/2020 Lee D25/199
2008/0134591 A1 * 6/2008 Repasky E04F 15/02447
52/126.5

FIG. 1 is a front, top and left side perspective view of a paver support according to the invention;
FIG. 2 is rear, top and right side perspective view of the paver support of FIG. 1;
FIG. 3 is a top plan view thereof;
FIG. 4 is a front elevation view thereof;
FIG. 5 is a bottom plan view thereof;
FIG. 6 is a rear elevation view thereof;
FIG. 7 is a left side elevation view thereof;
FIG. 8 is a right side elevation view thereof;
FIG. 9 is a front, bottom and left side perspective view of the paver support; and,
FIG. 10 is a rear, bottom and right side perspective view of the paver support.

1 Claim, 5 Drawing Sheets



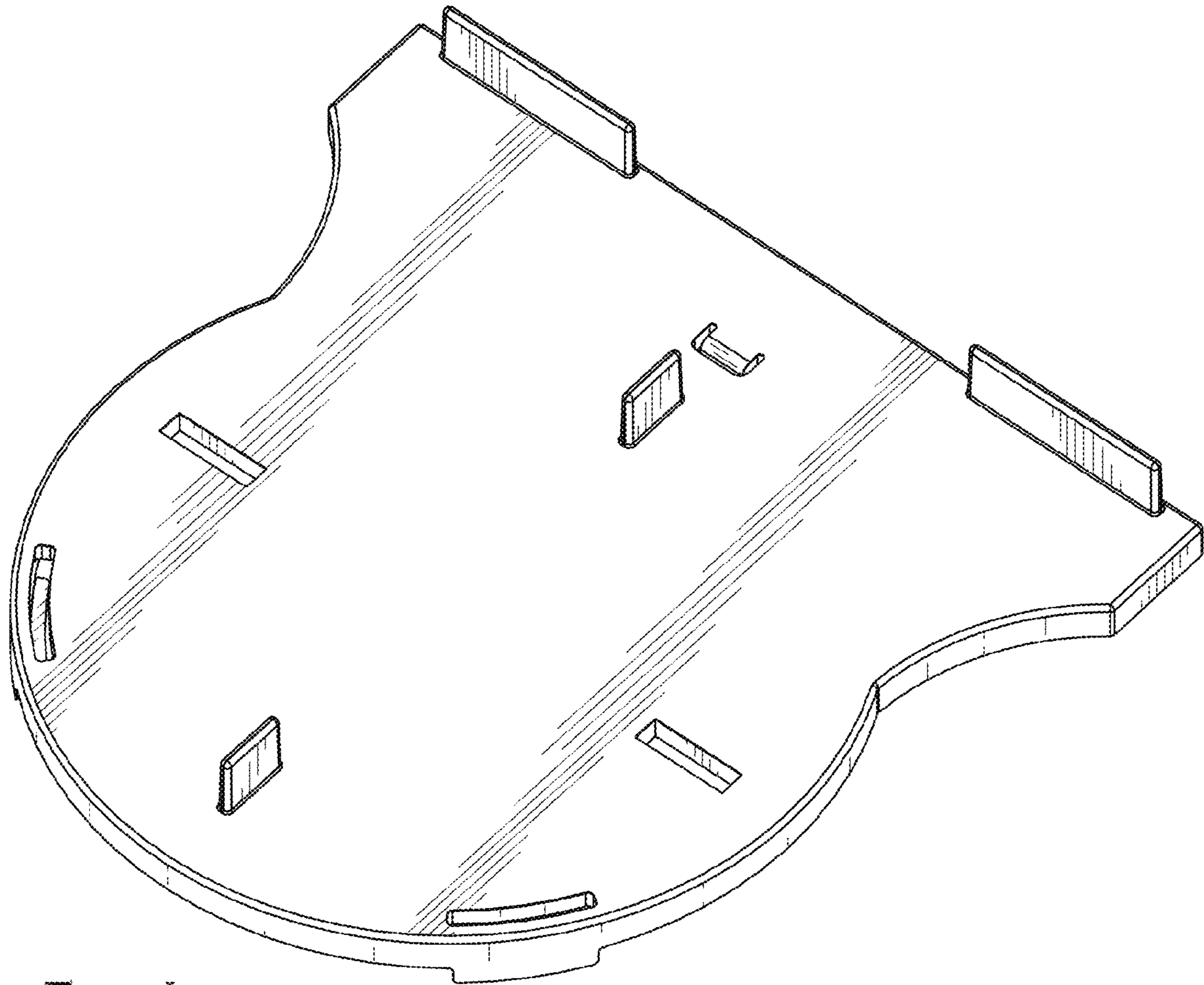


FIG. 1

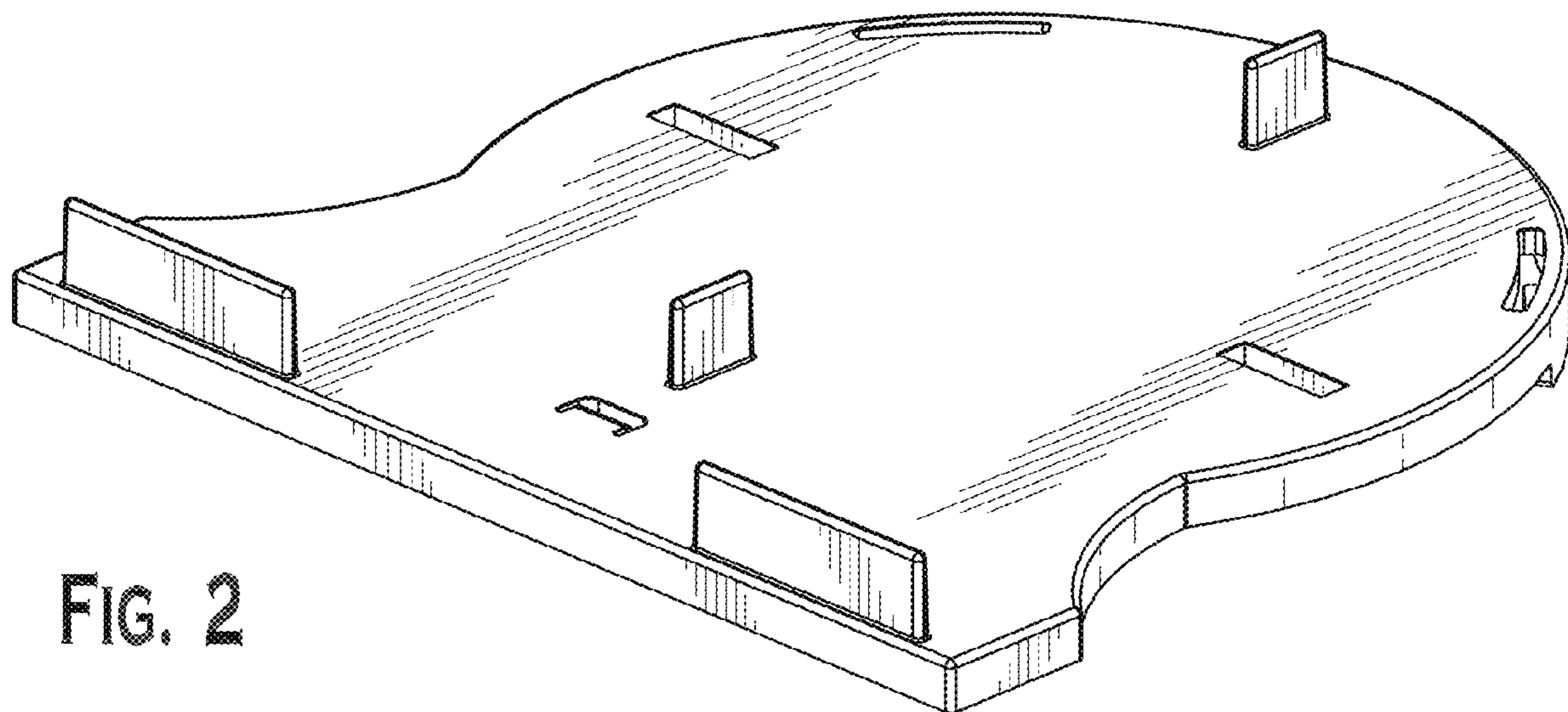


FIG. 2

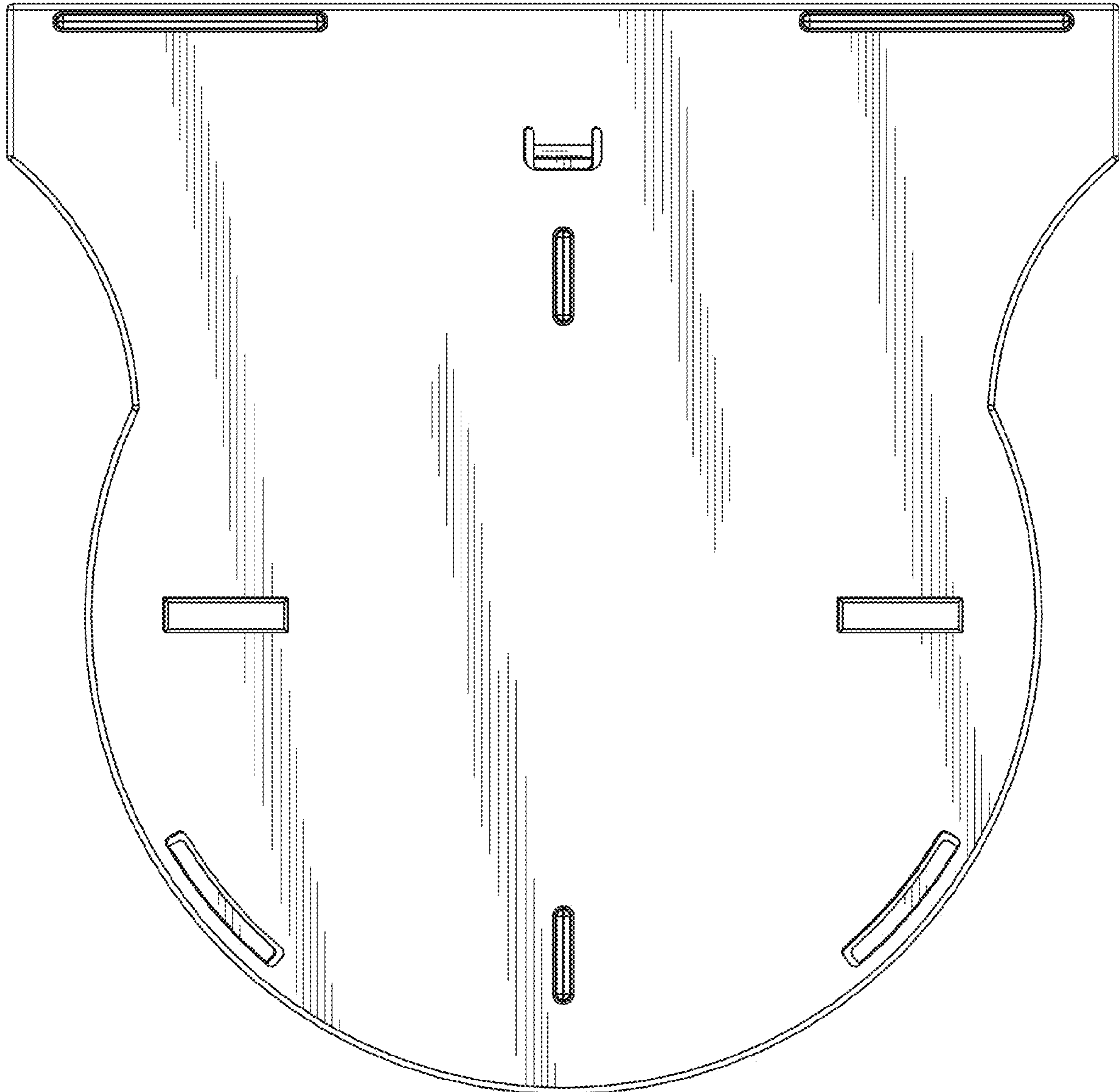


FIG. 3

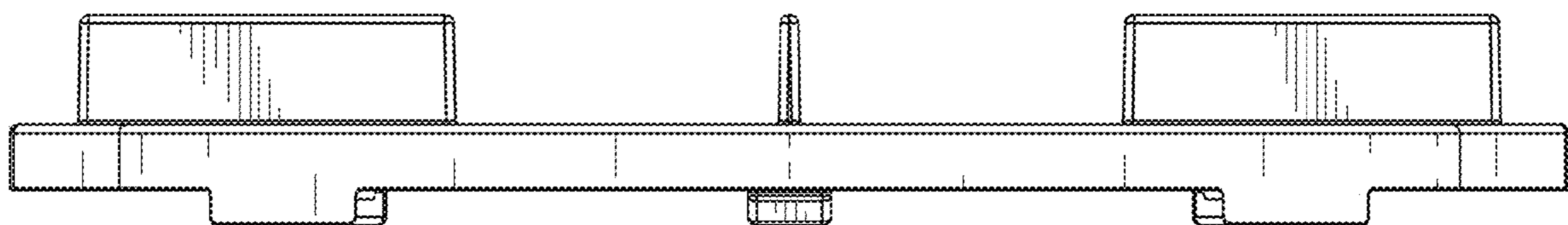


FIG. 4

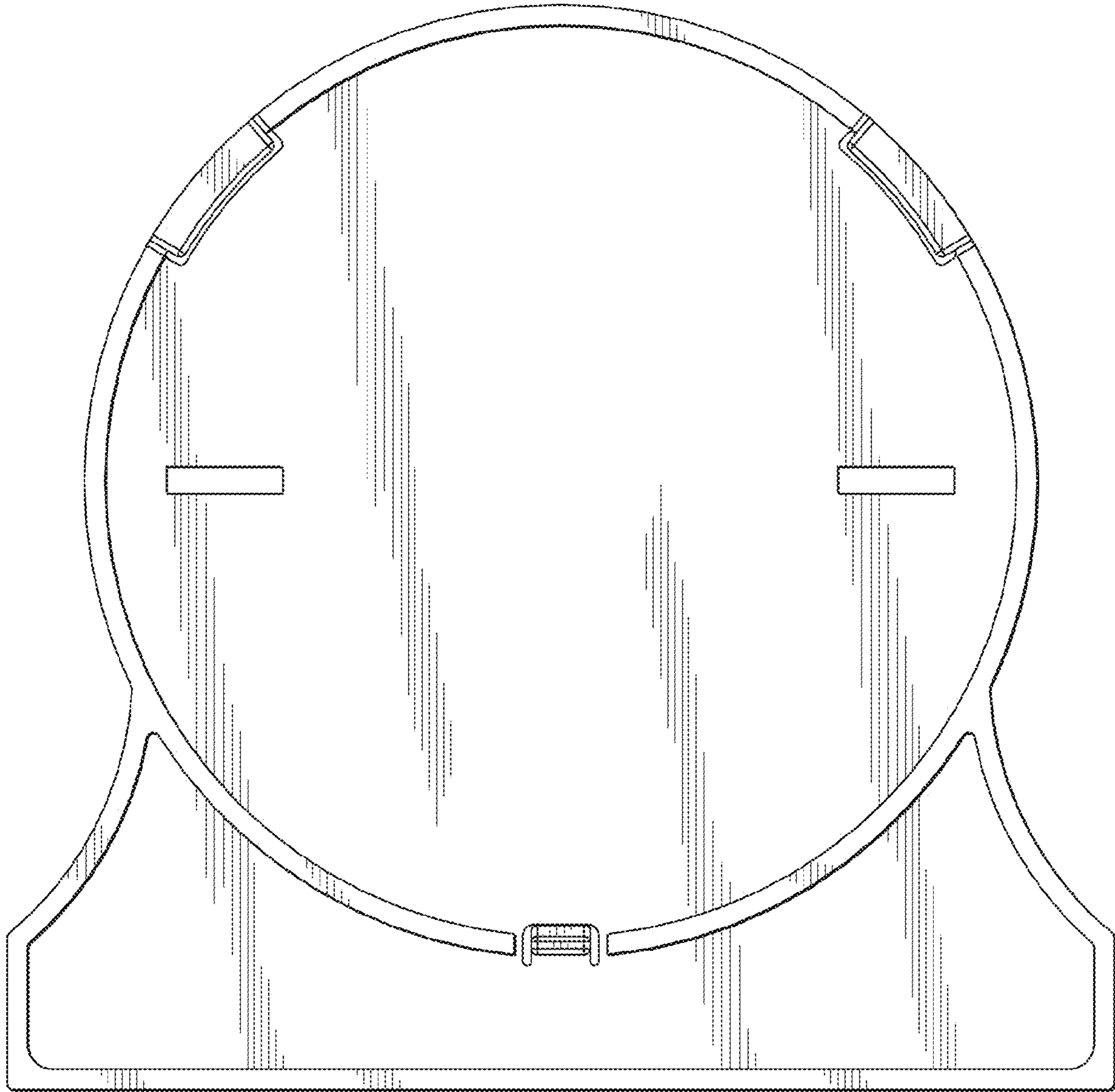


FIG. 5

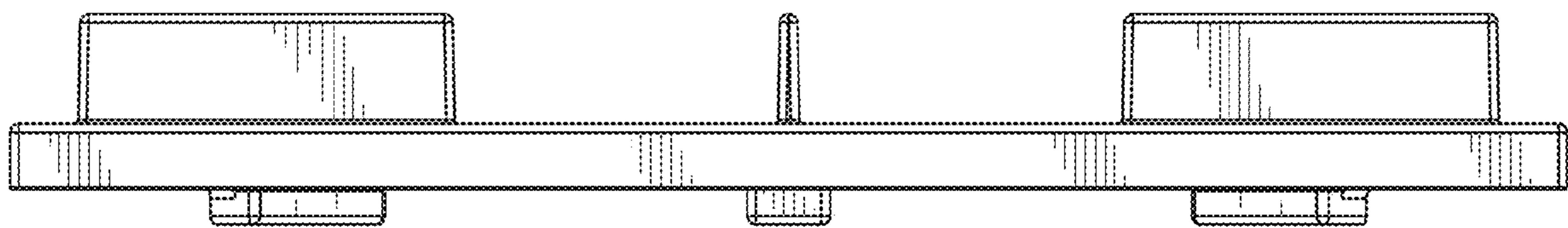


FIG. 6

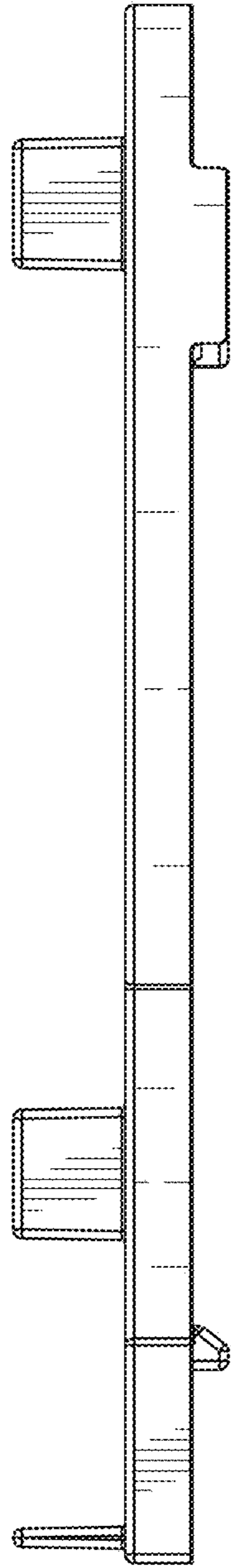


FIG. 7

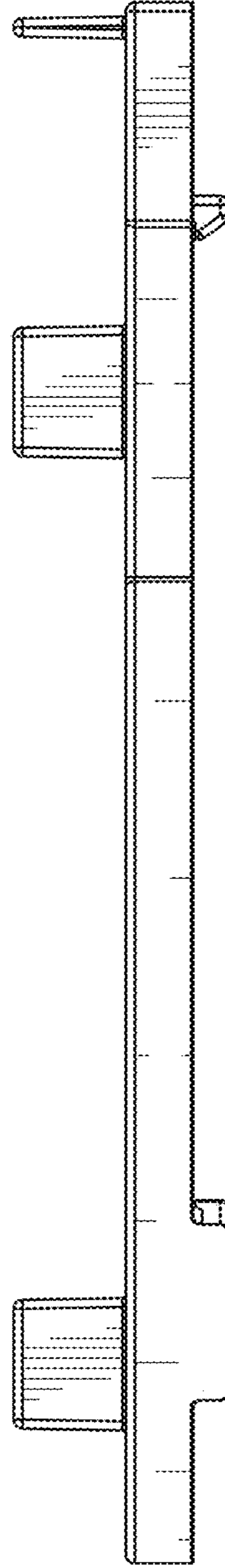


FIG. 8

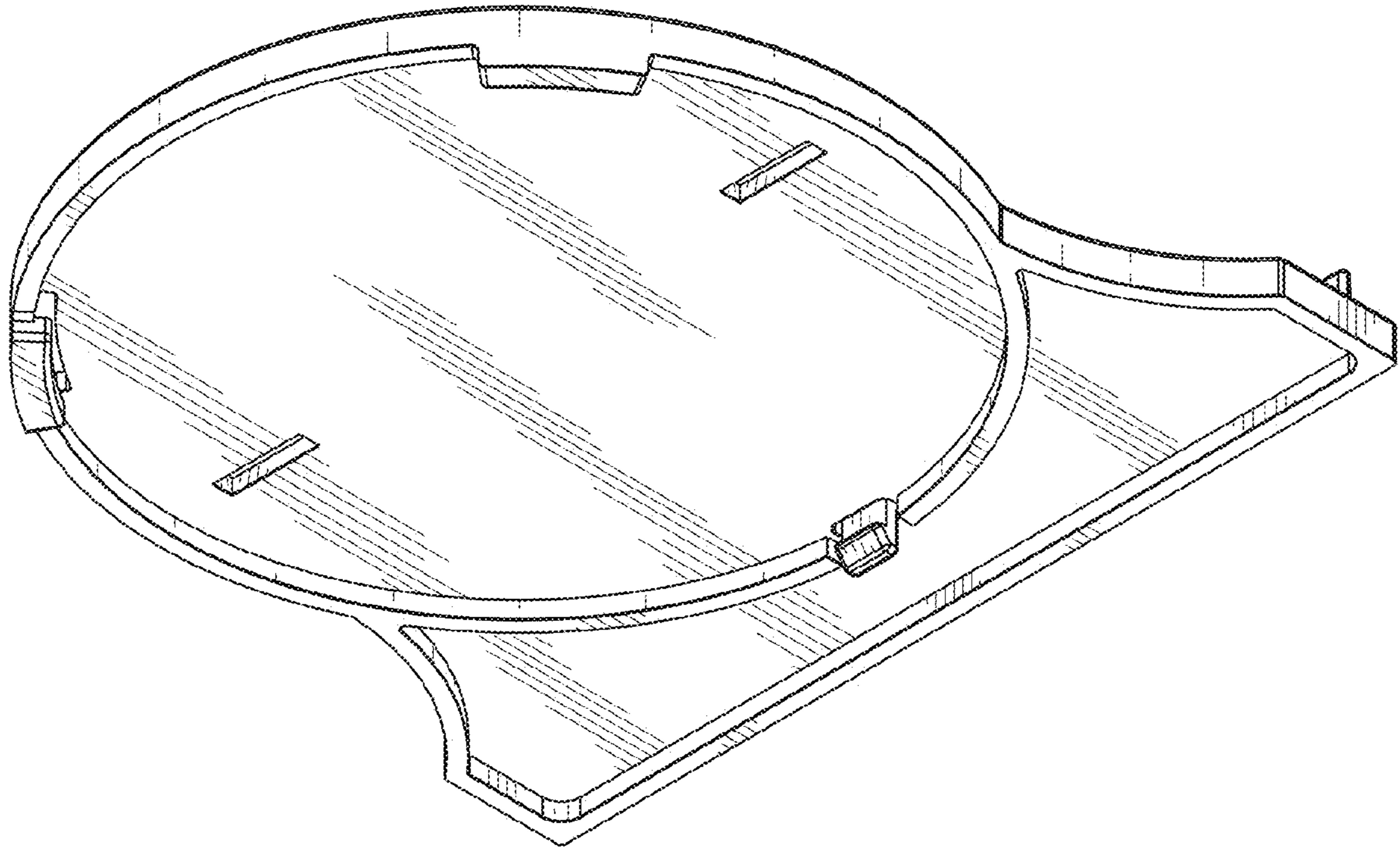


FIG. 9

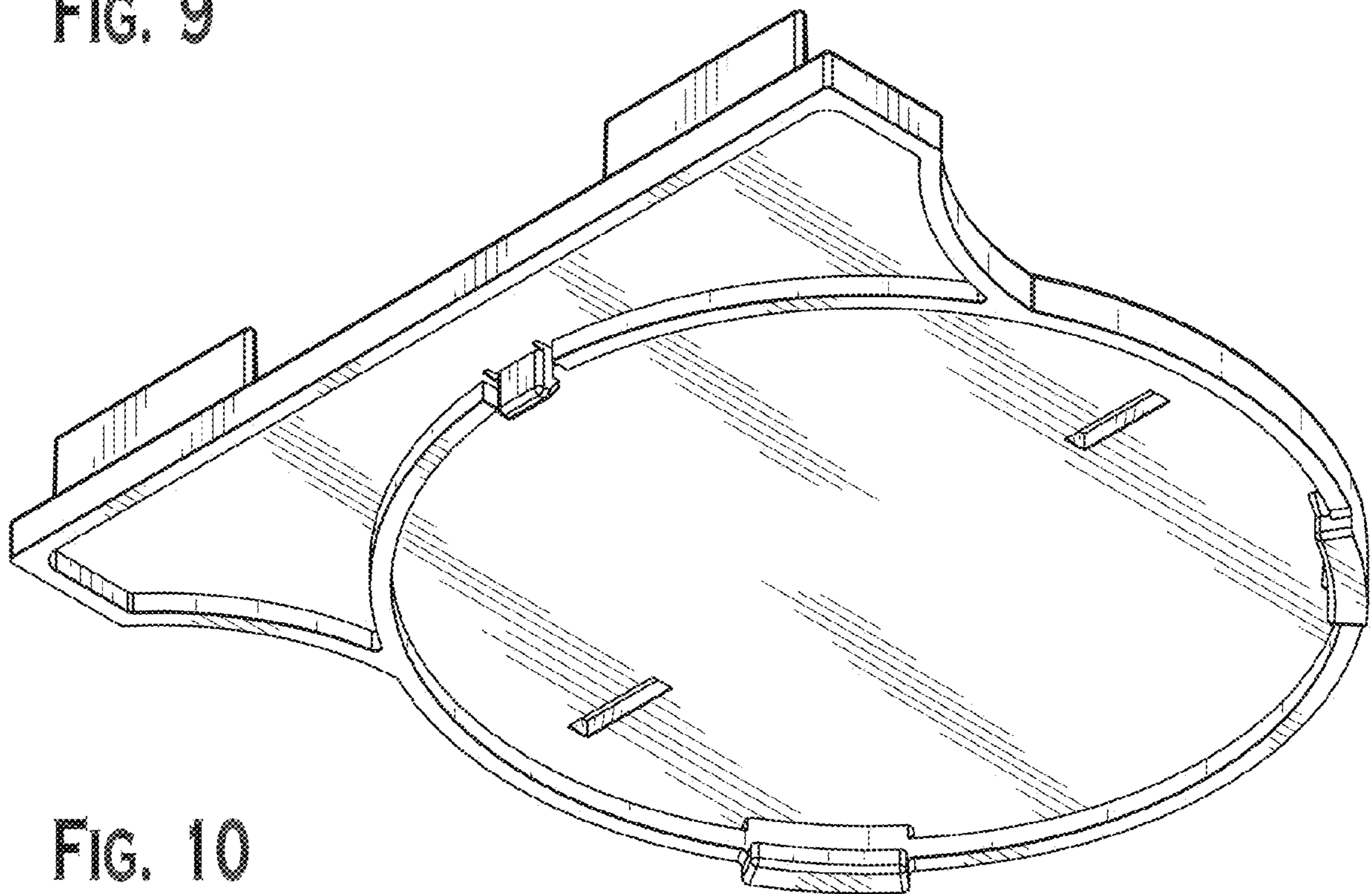


FIG. 10