



US00D917732S

(12) **United States Design Patent**  
**Nelson et al.**

(10) **Patent No.:** **US D917,732 S**  
(45) **Date of Patent:** **\*\* Apr. 27, 2021**

(54) **WINDOW COMPONENT EXTRUSION**

(71) Applicant: **JELD-WEN, Inc.**, Charlotte, NC (US)

(72) Inventors: **Jacob Nelson**, Klamath Falls, OR (US);  
**Yoshua Gombo**, Seattle, WA (US);  
**David Belau**, Klamath Falls, OR (US);  
**Ryan Schroeder**, Klamath Falls, OR  
(US); **Jerry Jones**, Klamath Falls, OR  
(US)

(73) Assignee: **JELD-WEN, Inc.**, Charlotte, NC (US)

(\*\*) Term: **15 Years**

(21) Appl. No.: **29/722,580**

(22) Filed: **Jan. 30, 2020**

(51) **LOC (13) Cl.** ..... **25-01**

(52) **U.S. Cl.**  
USPC ..... **D25/124**

(58) **Field of Classification Search**  
USPC ..... D25/35, 102, 119–125, 164; D8/354,  
D8/373, 374, 376, 377

CPC ..... E06B 1/02; E06B 1/04; E06B 1/12; E06B  
1/14; E06B 1/16; E06B 1/26; E06B 1/28;  
E06B 1/36; E06B 1/363; E06B 1/366;  
E06B 1/38; E06B 1/40; E06B 1/52; E06B  
1/524; E06B 1/56; E06B 1/62; E06B  
1/68; E06B 3/04; E06B 3/06; E06B 3/24;  
E06B 3/26; E06B 3/30; E06B 3/301;  
E06B 3/306; E06B 3/308

See application file for complete search history.

(56) **References Cited**

U.S. PATENT DOCUMENTS

D282,783 S \* 2/1986 Rezewski ..... D25/124  
D308,251 S \* 5/1990 Hardy ..... D25/124  
D325,984 S \* 5/1992 Valentin ..... D25/122

D333,878 S \* 3/1993 Cole ..... D25/124  
D334,069 S \* 3/1993 Cole ..... D25/122  
D334,628 S \* 4/1993 Cole ..... D25/124  
D335,356 S \* 5/1993 Cole ..... D25/124  
D335,931 S \* 5/1993 Cole ..... D25/124  
D336,344 S \* 6/1993 Cole ..... D25/124  
D338,276 S \* 8/1993 Cole ..... D25/119  
D339,643 S \* 9/1993 Cole ..... D25/122  
D351,240 S \* 10/1994 Cole ..... D25/122  
D375,172 S \* 10/1996 DiGiorgio ..... D25/124  
D376,434 S \* 12/1996 DiGiorgio ..... D25/122  
D379,525 S \* 5/1997 DiGiorgio ..... D25/122  
D381,087 S \* 7/1997 DiGiorgio ..... D25/123  
D385,047 S \* 10/1997 DiGiorgio ..... D25/124  
6,298,614 B1 \* 10/2001 Fisher ..... E06B 1/62  
52/100  
D450,135 S \* 11/2001 Roberts ..... D25/124  
D458,690 S \* 6/2002 Roberts ..... D25/60

(Continued)

*Primary Examiner* — Llorelys Martinez

(74) *Attorney, Agent, or Firm* — Stoel Rives LLP

(57) **CLAIM**

The ornamental design for a window component extrusion,  
as shown and described.

**DESCRIPTION**

FIG. 1 is a front perspective view of a window component  
extrusion showing our new design.

FIG. 2 is a rear perspective view thereof.

FIG. 3 is a front elevation view thereof.

FIG. 4 is a rear elevation view thereof.

FIG. 5 is a left side elevation view thereof.

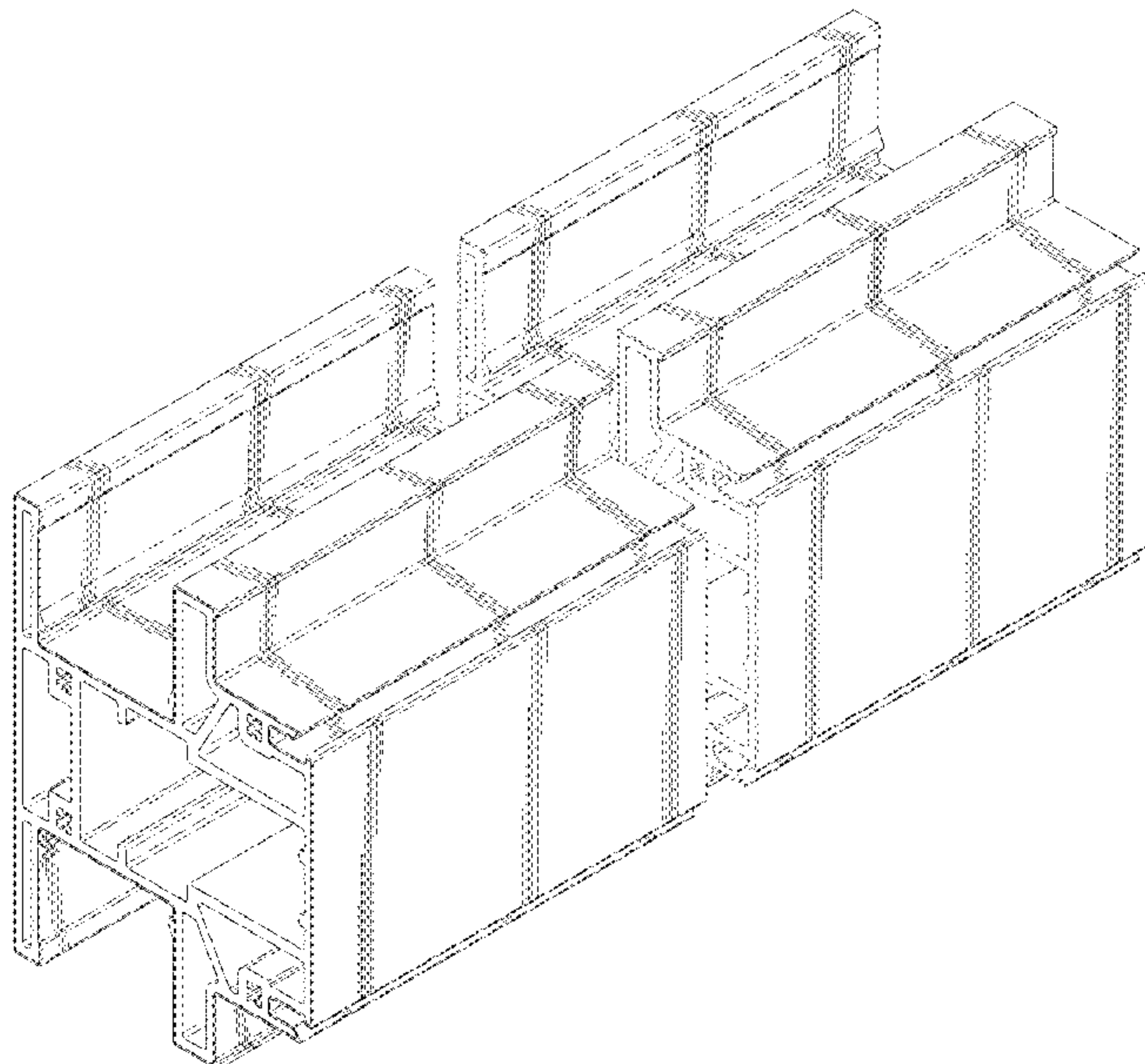
FIG. 6 is a right side elevation view thereof.

FIG. 7 is a top plan view thereof; and,

FIG. 8 is a bottom plan view thereof.

In FIGS. 1-4, 7, and 8, the window component extrusion is  
shown with a symbolic break in its length. The appearance  
of any portion of the window component extrusion between  
the break lines forms no part of the claimed design.

**1 Claim, 7 Drawing Sheets**



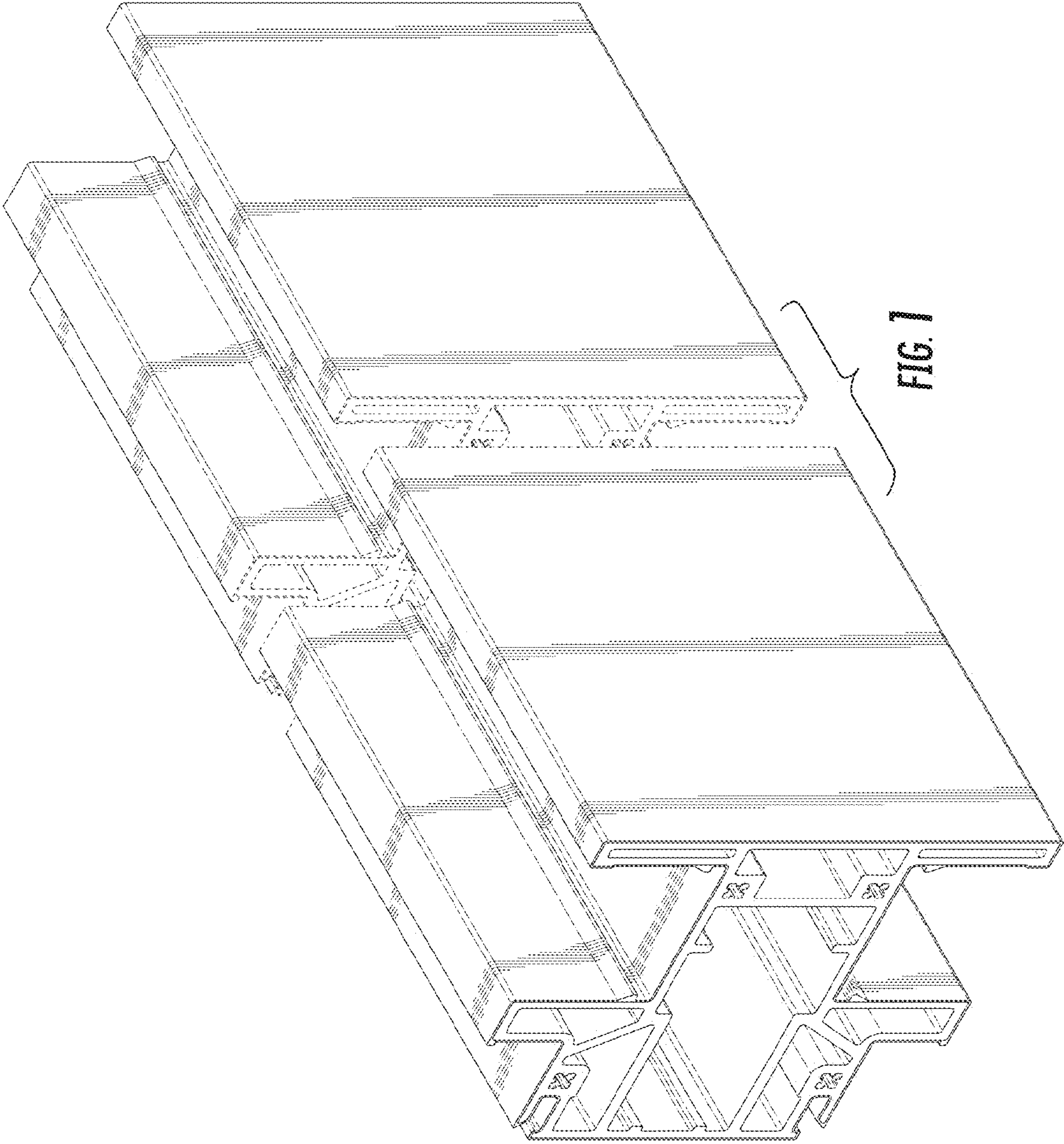
(56)

**References Cited**

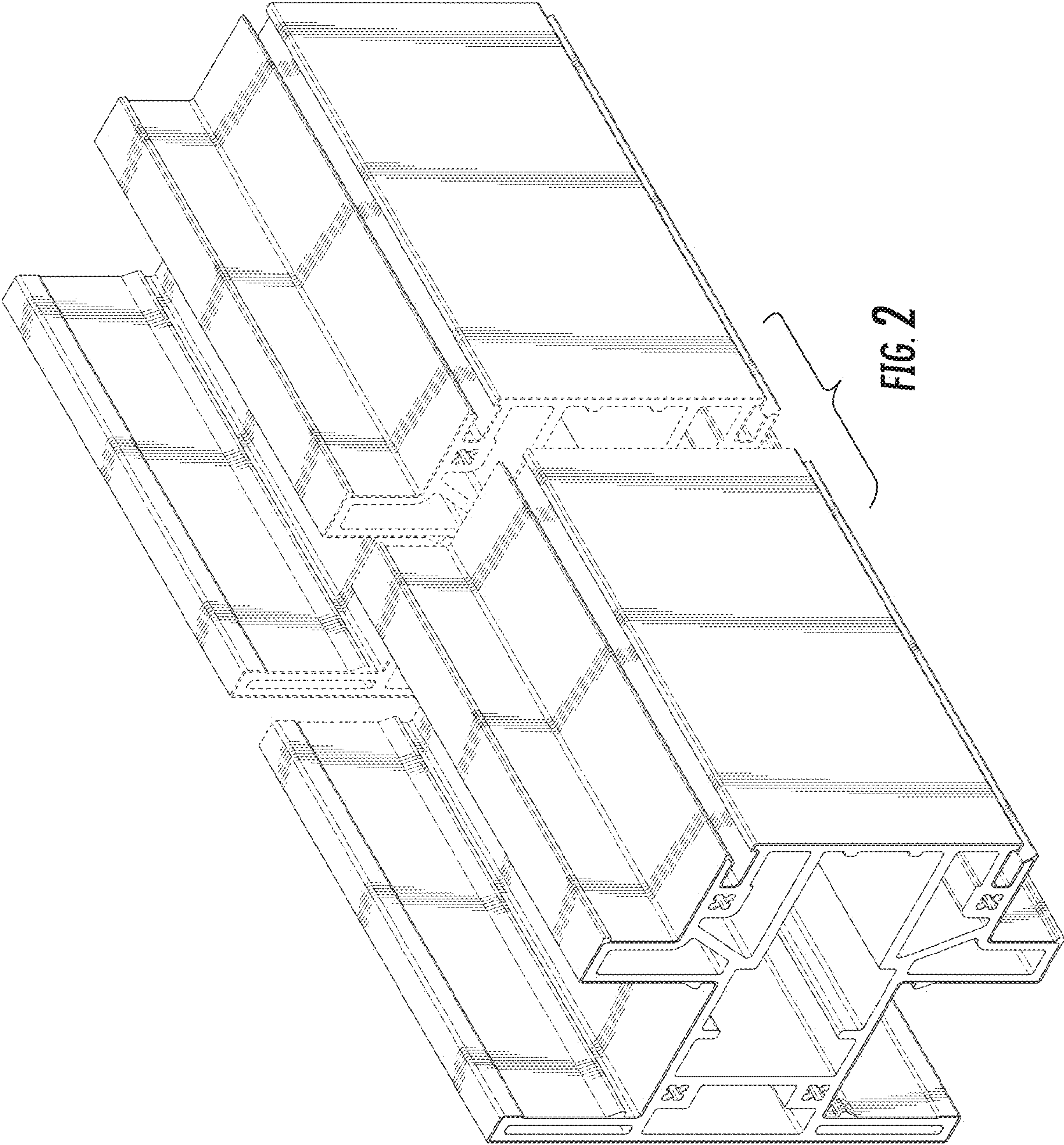
U.S. PATENT DOCUMENTS

6,526,709	B1 *	3/2003	Jacobsen	.....	E06B 1/02 52/202
D508,134	S *	8/2005	Bergmann	.....	D25/124
D621,962	S *	8/2010	Deleu	.....	D25/122
D754,367	S *	4/2016	Morton	.....	D25/124
D856,534	S *	8/2019	Hay, III	.....	D25/124

\* cited by examiner







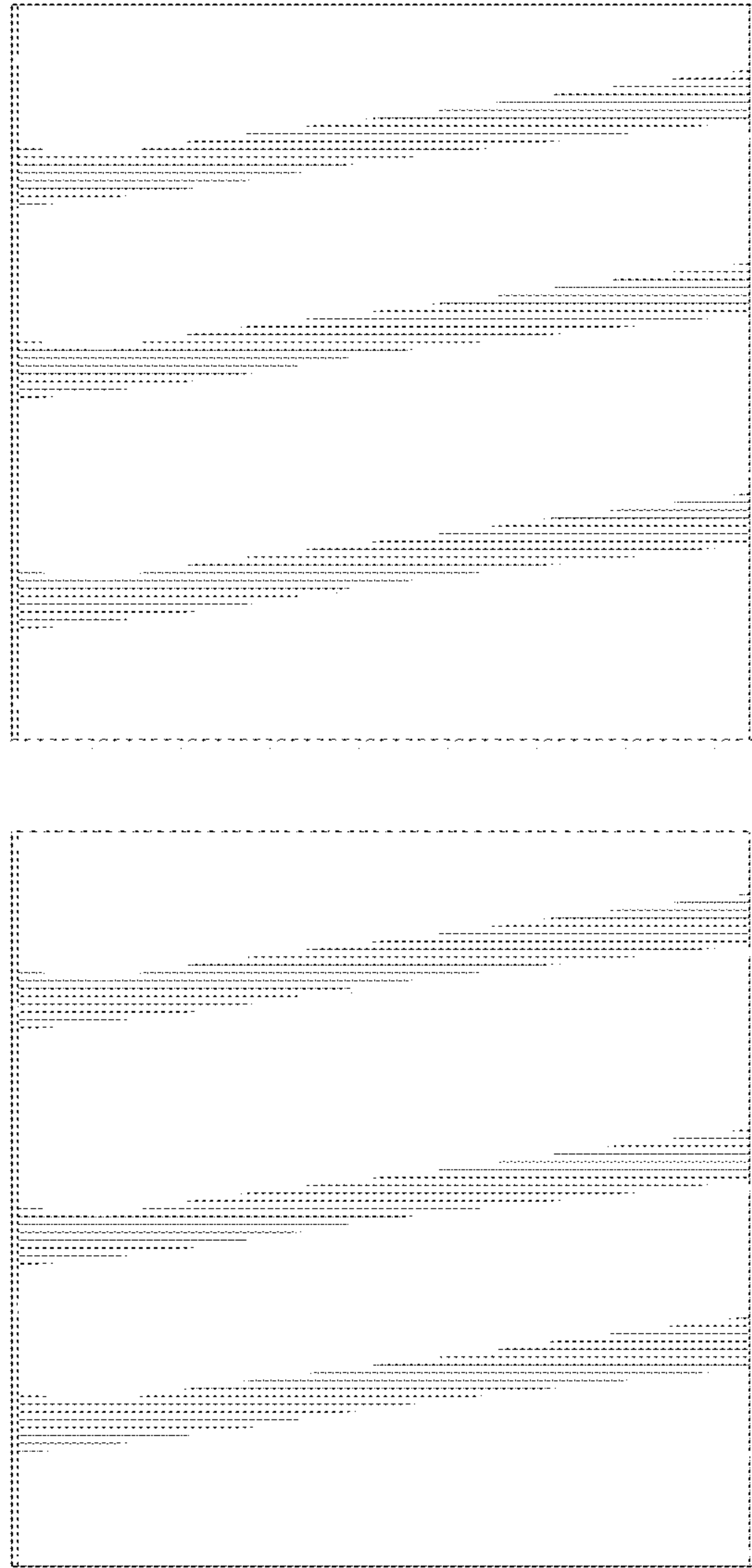


FIG. 3

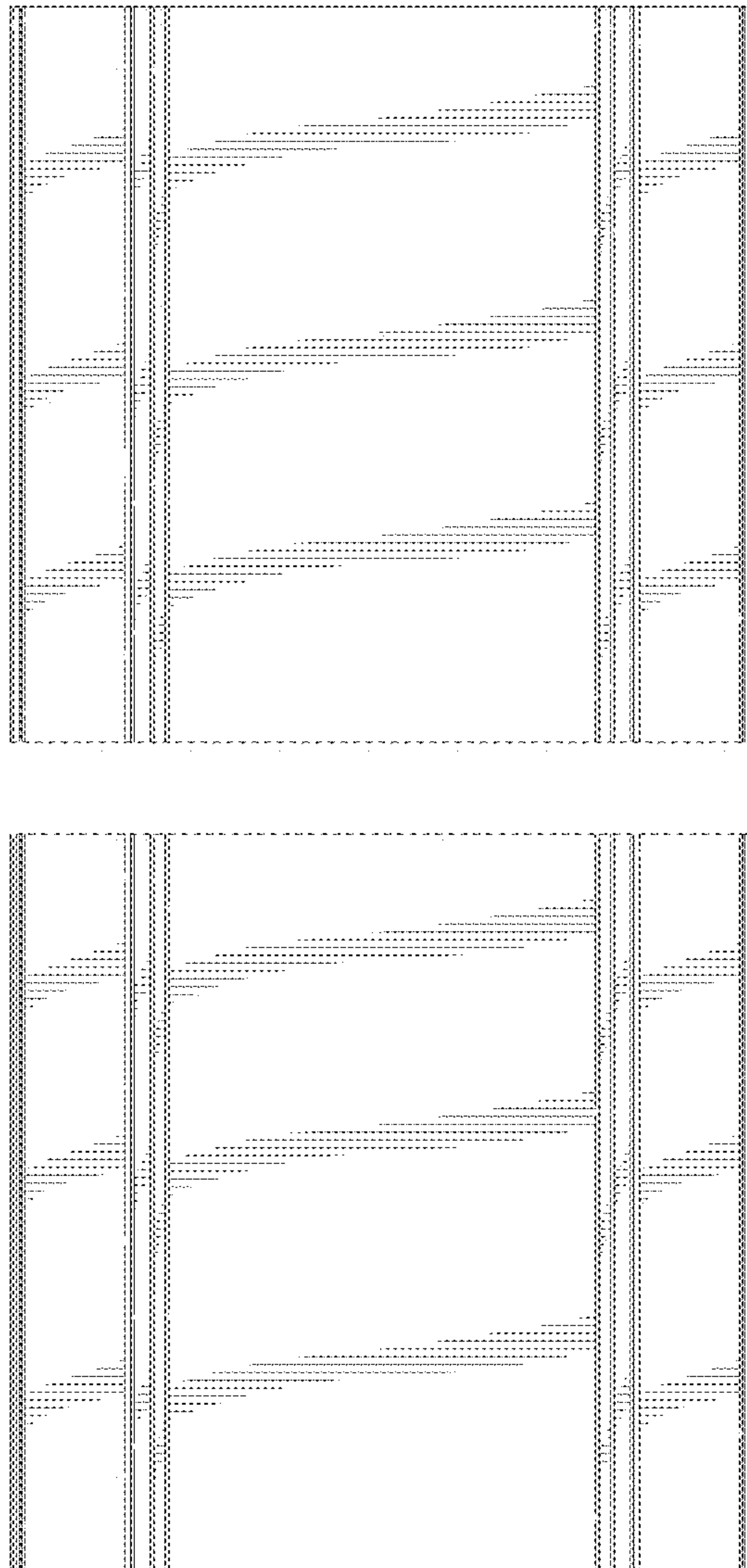
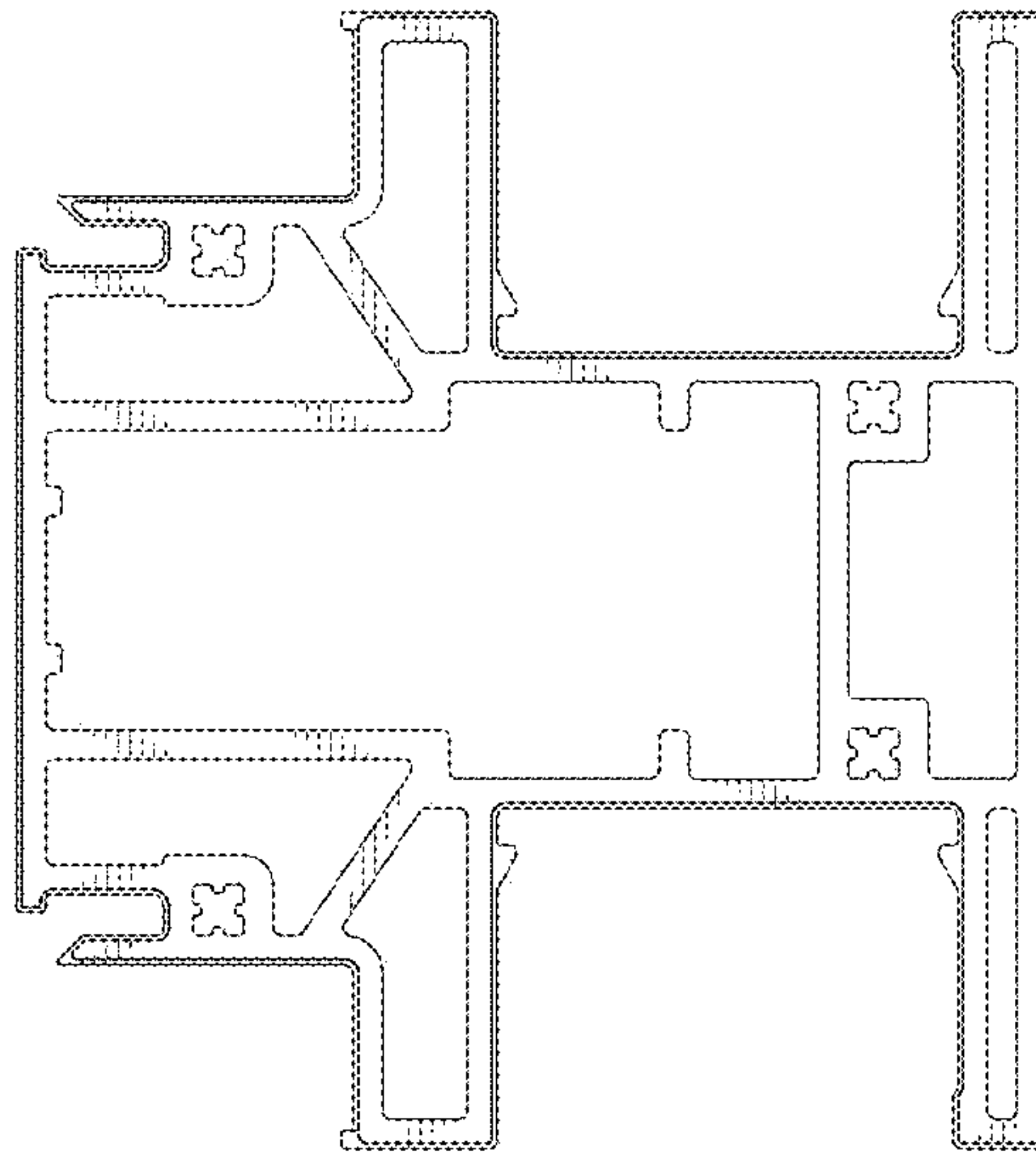
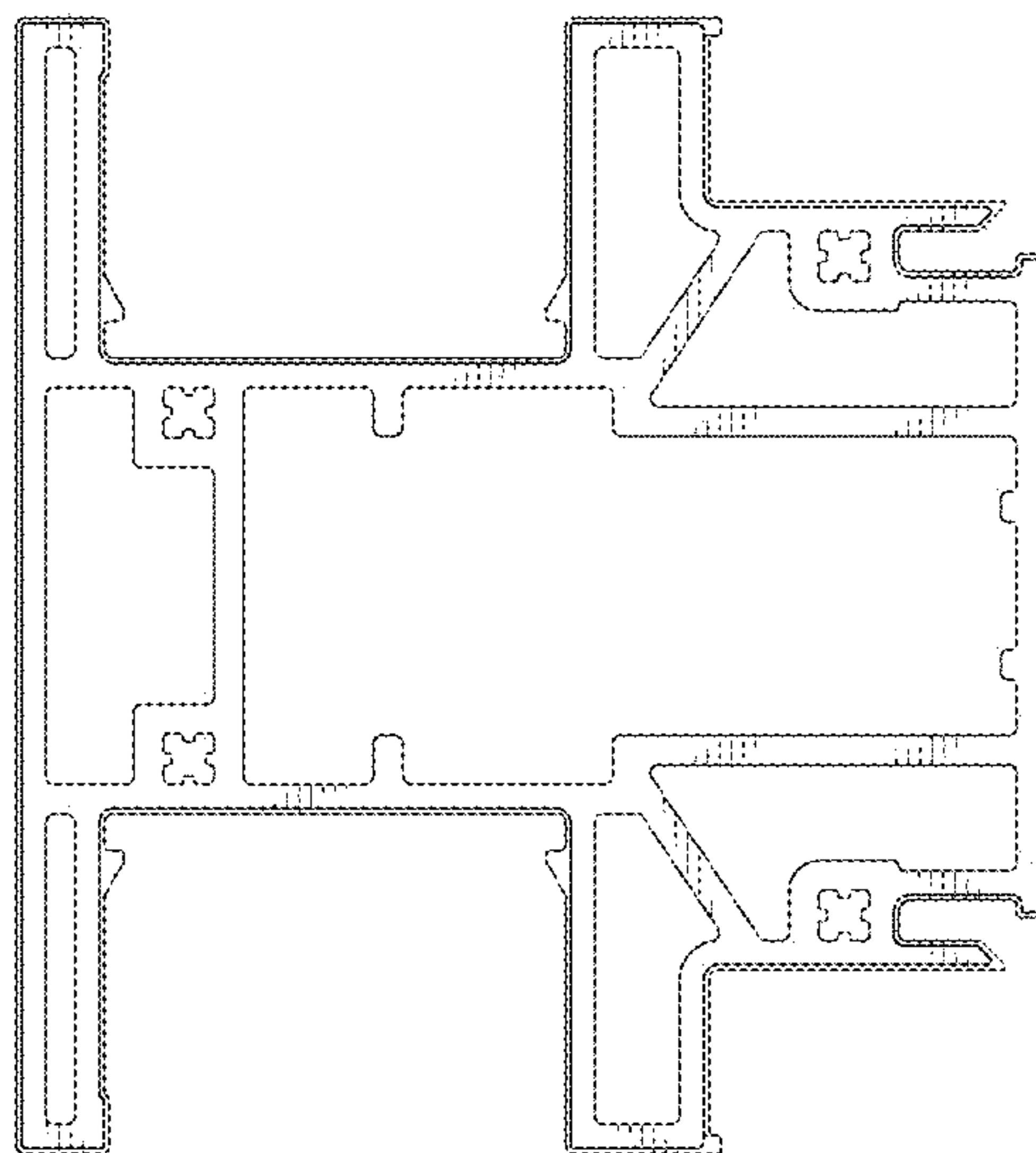


FIG. 4



**FIG. 5**



**FIG. 6**

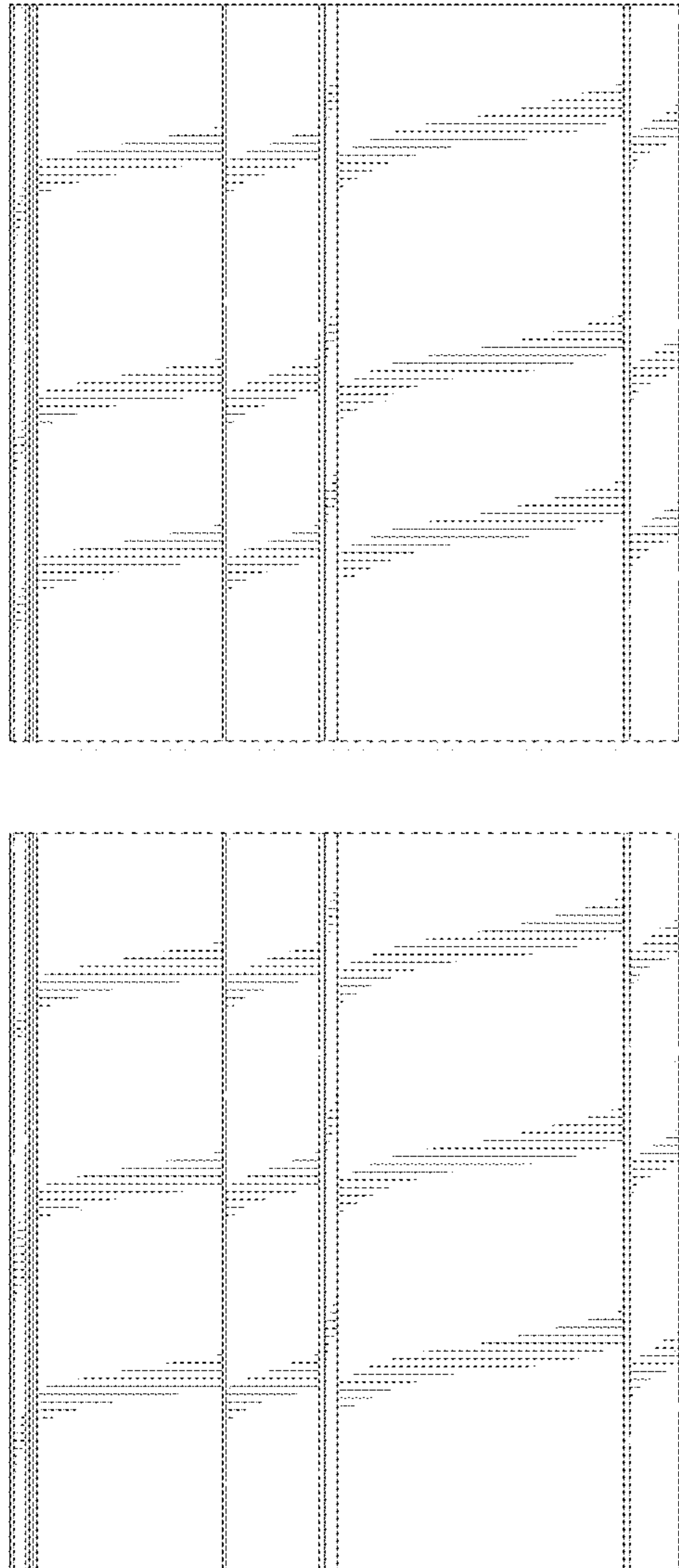


FIG. 7



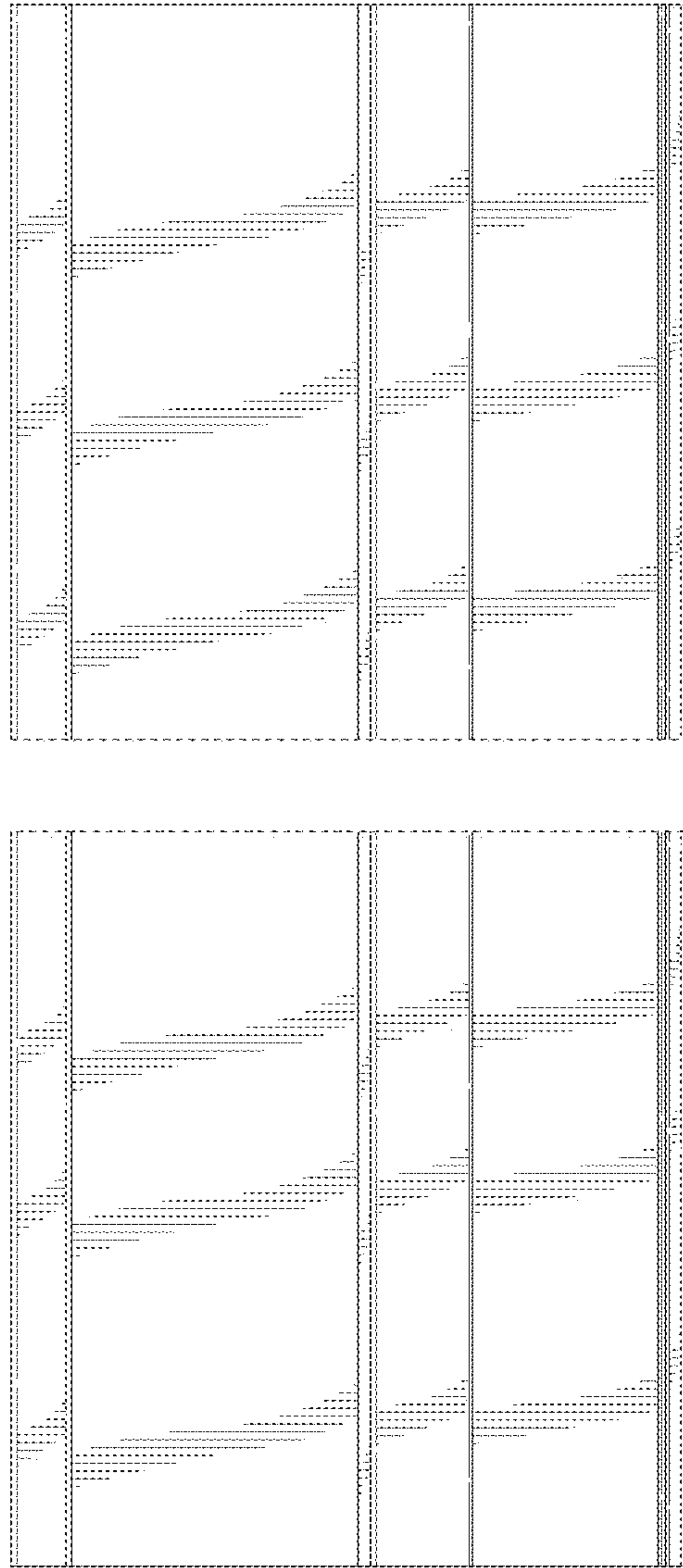


FIG. 8