



US00D917731S

(12) **United States Design Patent** (10) **Patent No.:** **US D917,731 S**
Nelson et al. (45) **Date of Patent:** **** Apr. 27, 2021**

(54) **FENESTRATION COMPONENT EXTRUSION**

(71) Applicant: **JELD-WEN, Inc.**, Charlotte, NC (US)

(72) Inventors: **Jacob Nelson**, Klamath Falls, OR (US);
Yoshua Gombo, Seattle, WA (US);
David Belau, Klamath Falls, OR (US);
Ryan Schroeder, Klamath Falls, OR
(US); **Jerry Jones**, Klamath Falls, OR
(US)

(73) Assignee: **JELD-WEN, Inc.**, Charlotte, NC (US)

(**) Term: **15 Years**

(21) Appl. No.: **29/722,576**

(22) Filed: **Jan. 30, 2020**

(51) **LOC (13) Cl.** **25-01**

(52) **U.S. Cl.**
USPC **D25/124**

(58) **Field of Classification Search**
USPC D25/35, 102, 119–125, 164; D8/354,
D8/373, 374, 376, 377
CPC E06B 1/02; E06B 1/04; E06B 1/12; E06B
1/14; E06B 1/16; E06B 1/26; E06B 1/28;
E06B 1/36; E06B 1/363; E06B 1/366;
E06B 1/38; E06B 1/40; E06B 1/52; E06B
1/54; E06B 1/56; E06B 1/62; E06B 1/68;
E06B 3/04; E06B 3/06; E06B 3/24; E06B
3/26; E06B 3/30; E06B 3/301; E06B
3/306; E06B 3/308
See application file for complete search history.

(56) **References Cited**

U.S. PATENT DOCUMENTS

D299,965 S * 2/1989 Litchfield D25/124
D339,874 S * 9/1993 Cole D25/124
D381,090 S * 7/1997 Jarrell D25/124
D382,072 S * 8/1997 Dallaire D25/124

D498,545 S * 11/2004 Willman D25/124
D514,710 S * 2/2006 Franson D25/124
D590,959 S * 4/2009 Franson D25/124
D590,960 S * 4/2009 Franson D25/124
D651,725 S * 1/2012 Wickland D25/124
D664,267 S * 7/2012 Kim D25/124
D692,165 S * 10/2013 Fannan D25/124
D693,487 S * 11/2013 Fannan D25/124
D718,882 S * 12/2014 Fannan D25/119
D732,707 S * 6/2015 Campbell D25/124
D739,046 S * 9/2015 Campbell D25/124
D759,845 S * 6/2016 Marshall D25/124
D759,846 S * 6/2016 Marshall D25/124
D759,847 S * 6/2016 Marshall D25/124
D759,848 S * 6/2016 Marshall D25/124
D759,849 S * 6/2016 Marshall D25/124
D769,465 S * 10/2016 Fannan D25/124
D769,467 S * 10/2016 Roberts D25/124

(Continued)

Primary Examiner — Llorellys Martinez

(74) *Attorney, Agent, or Firm* — Stoel Rives LLP

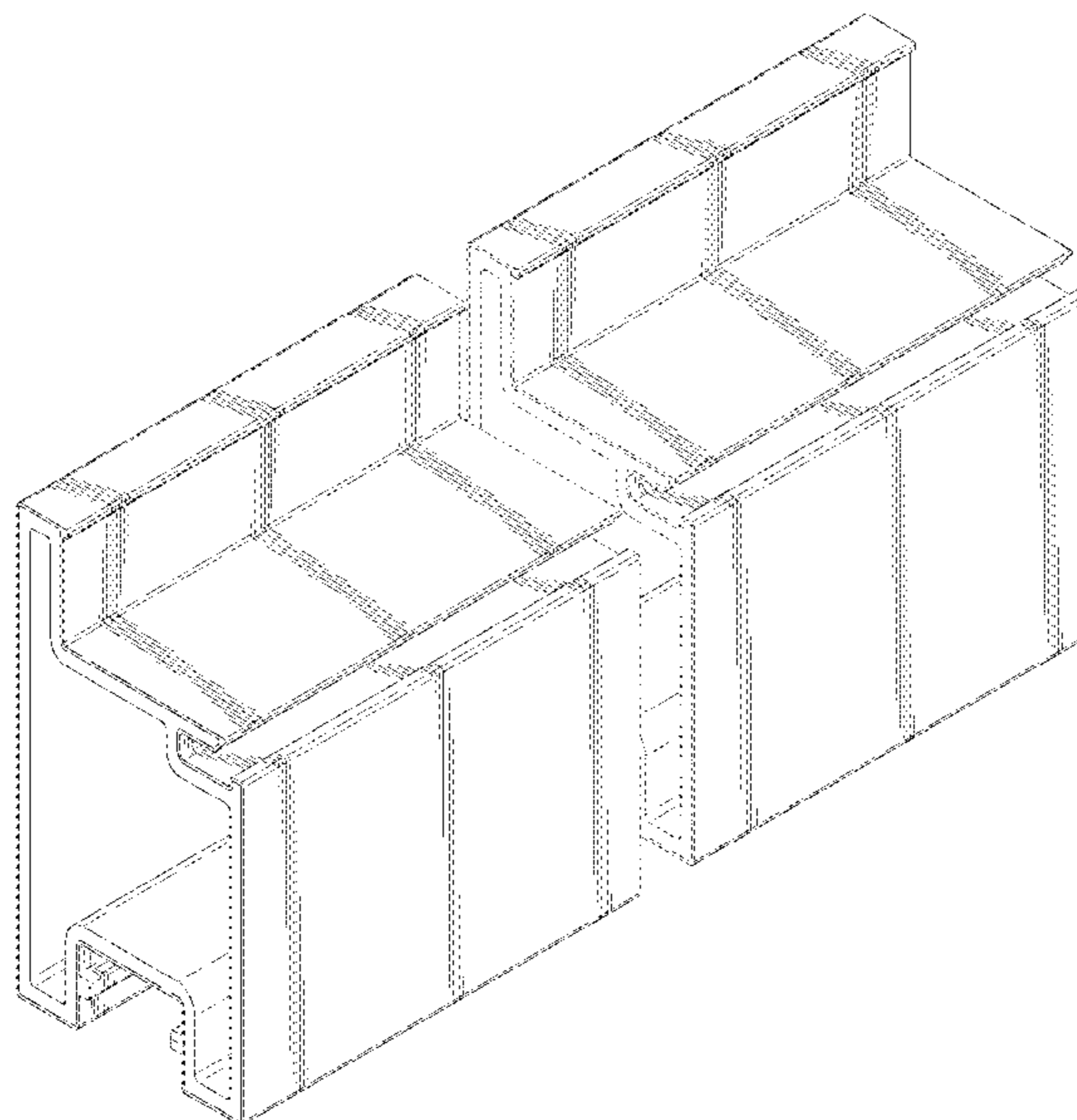
(57) **CLAIM**

The ornamental design for a fenestration component extrusion, as shown and described.

DESCRIPTION

FIG. 1 is a front perspective view of a fenestration component extrusion showing our new design.
FIG. 2 is a rear perspective view thereof.
FIG. 3 is a front elevation view thereof.
FIG. 4 is a rear elevation view thereof.
FIG. 5 is a left side elevation view thereof.
FIG. 6 is a right side elevation view thereof.
FIG. 7 is a top plan view thereof; and,
FIG. 8 is a bottom plan view thereof.
In FIGS. 1-4, 7, and 8, the fenestration component extrusion is shown with a symbolic break in its length. The appearance of any portion of the fenestration component extrusion between the break lines forms no part of the claimed design.

1 Claim, 7 Drawing Sheets



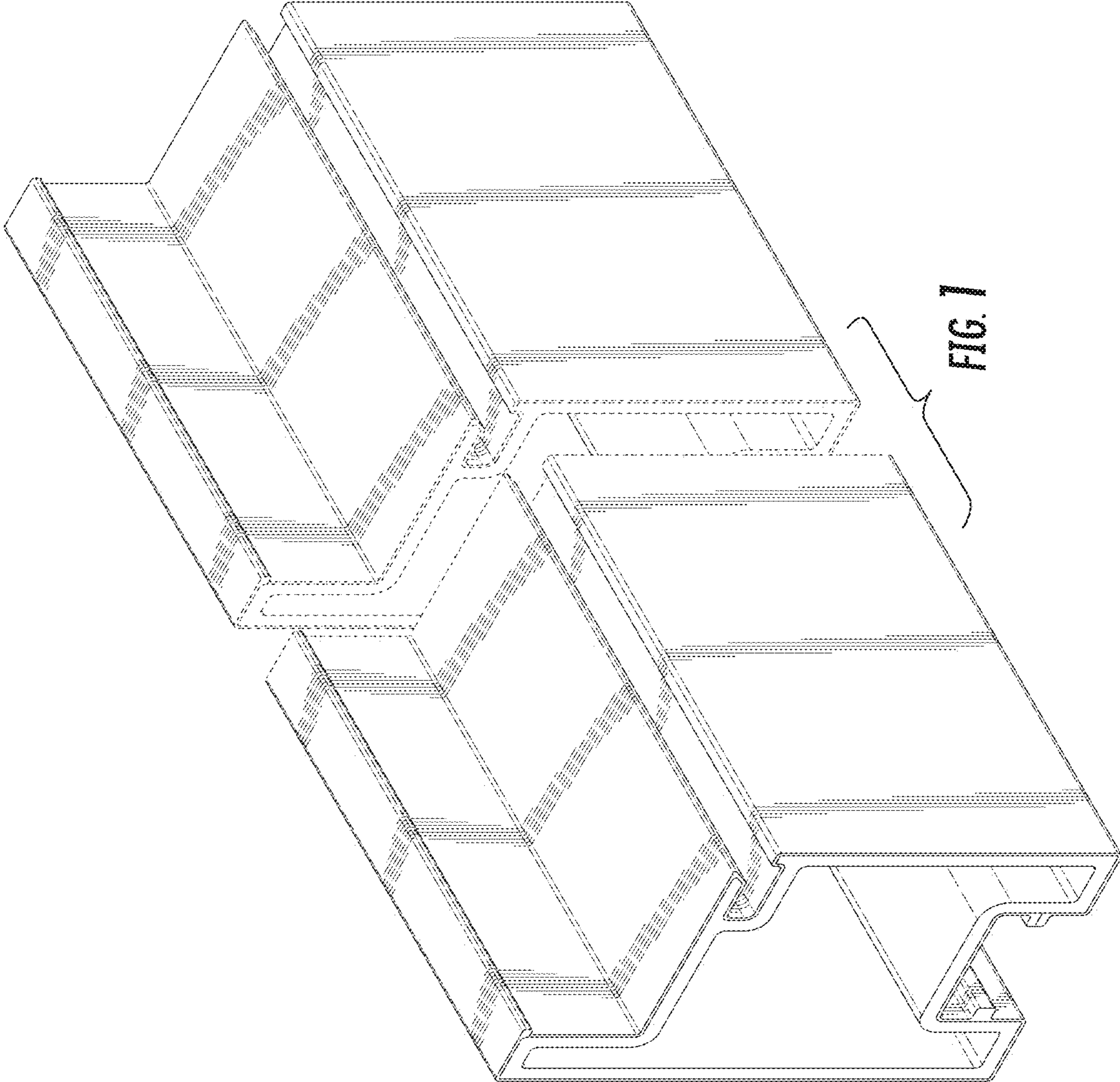
(56)

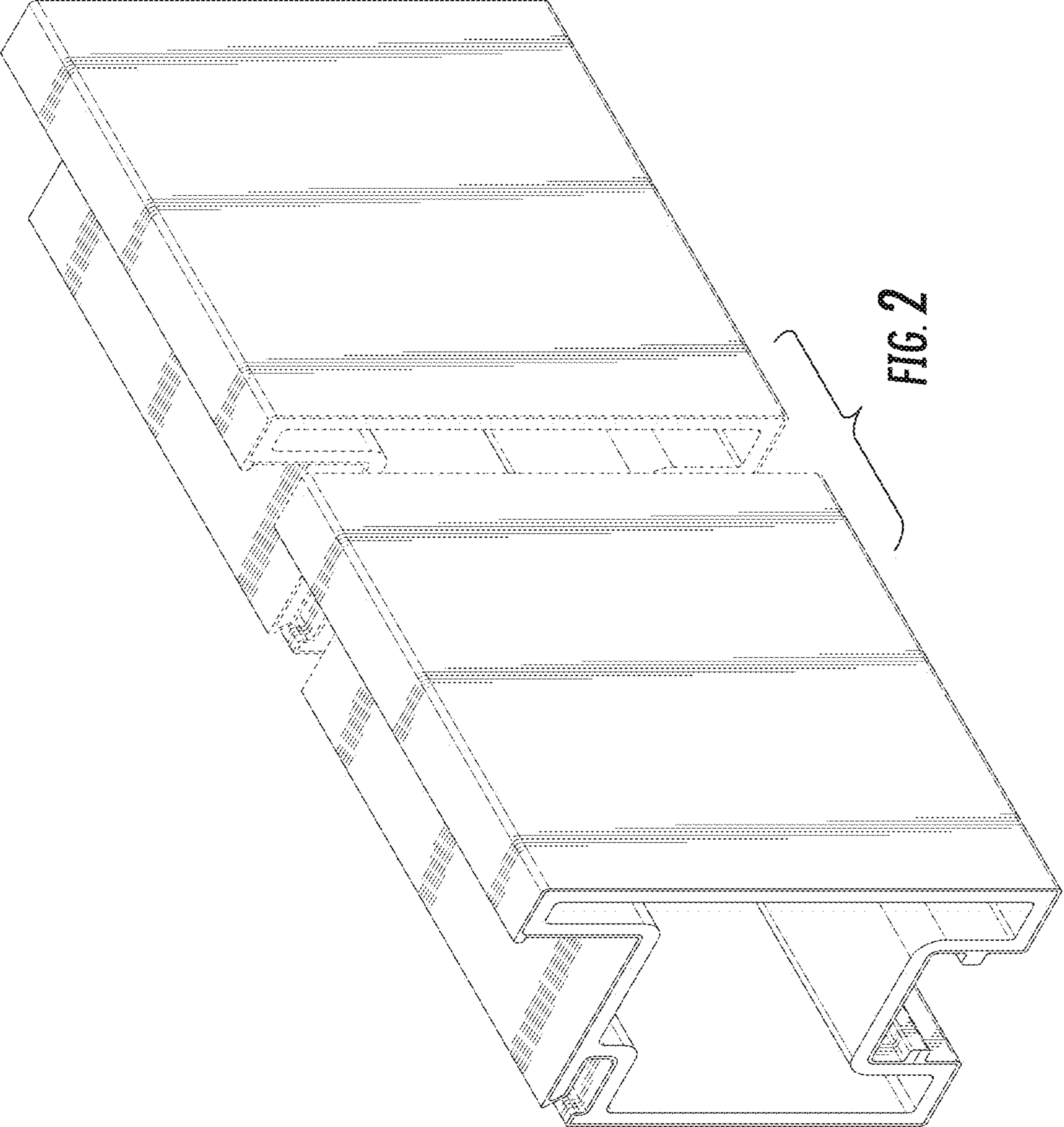
References Cited

U.S. PATENT DOCUMENTS

D795,463 S * 8/2017 Marshall D25/125
2017/0074029 A1 * 3/2017 Fetting E06B 3/5821

* cited by examiner





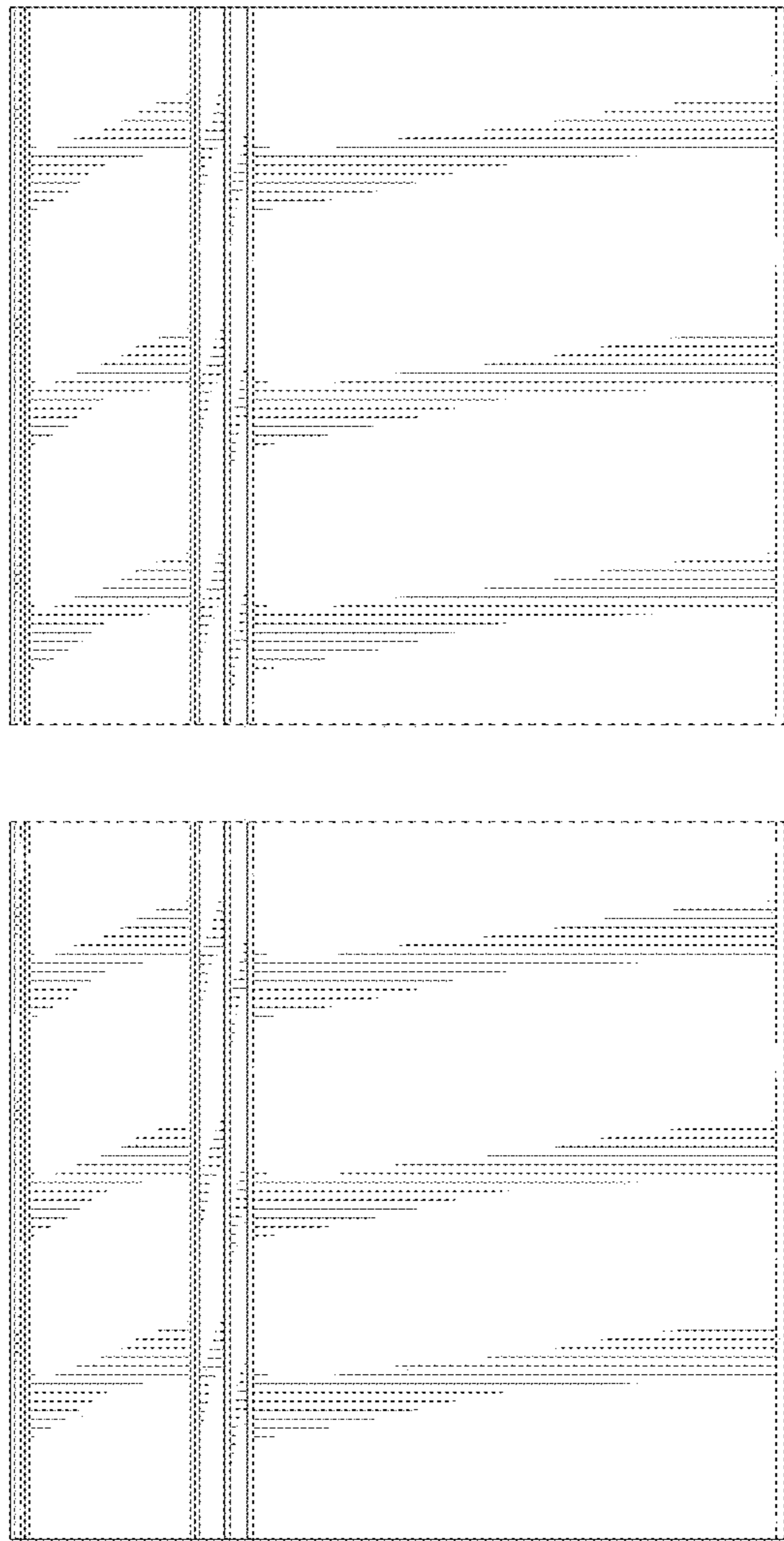


FIG. 3

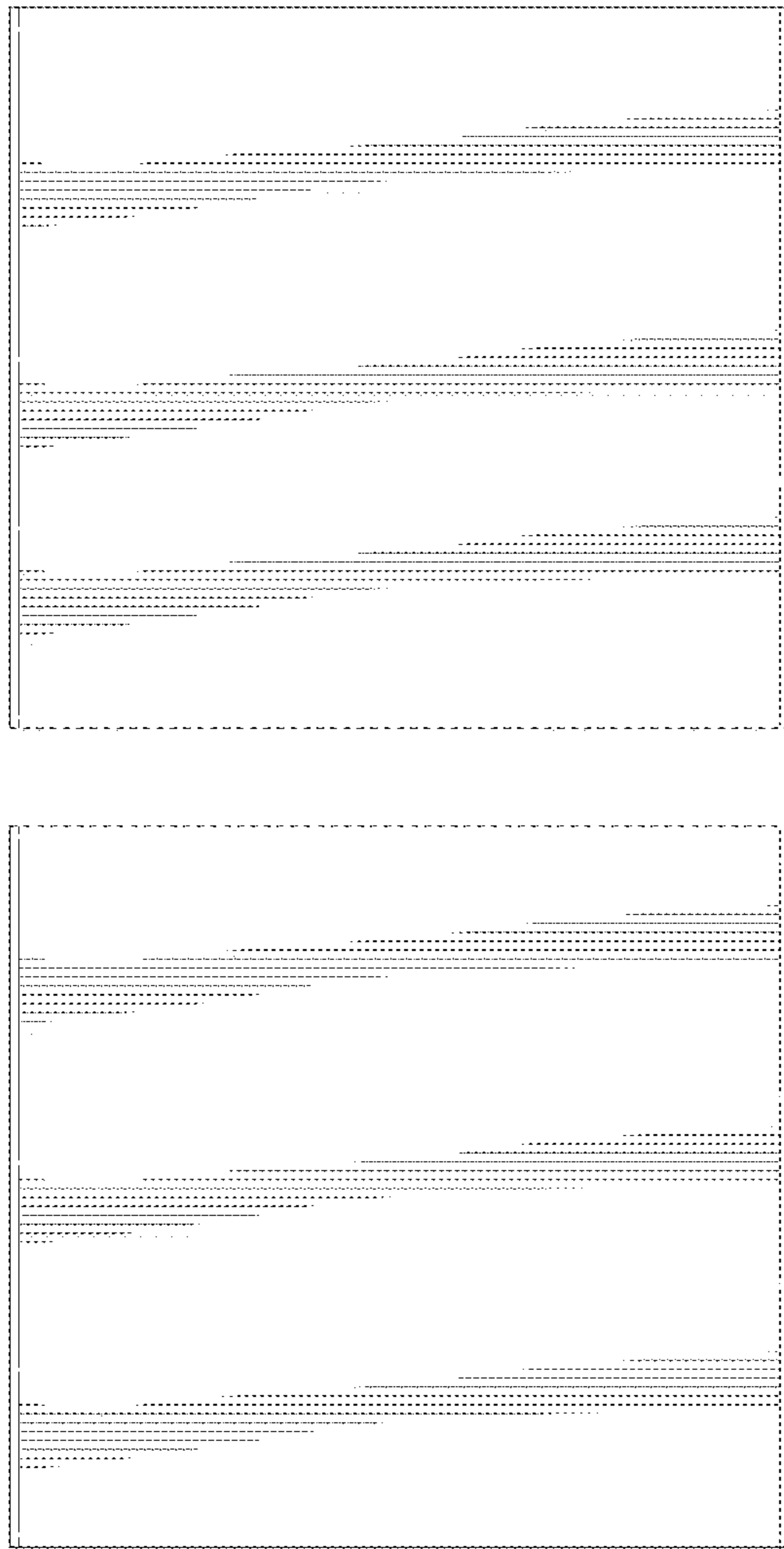


FIG. 4

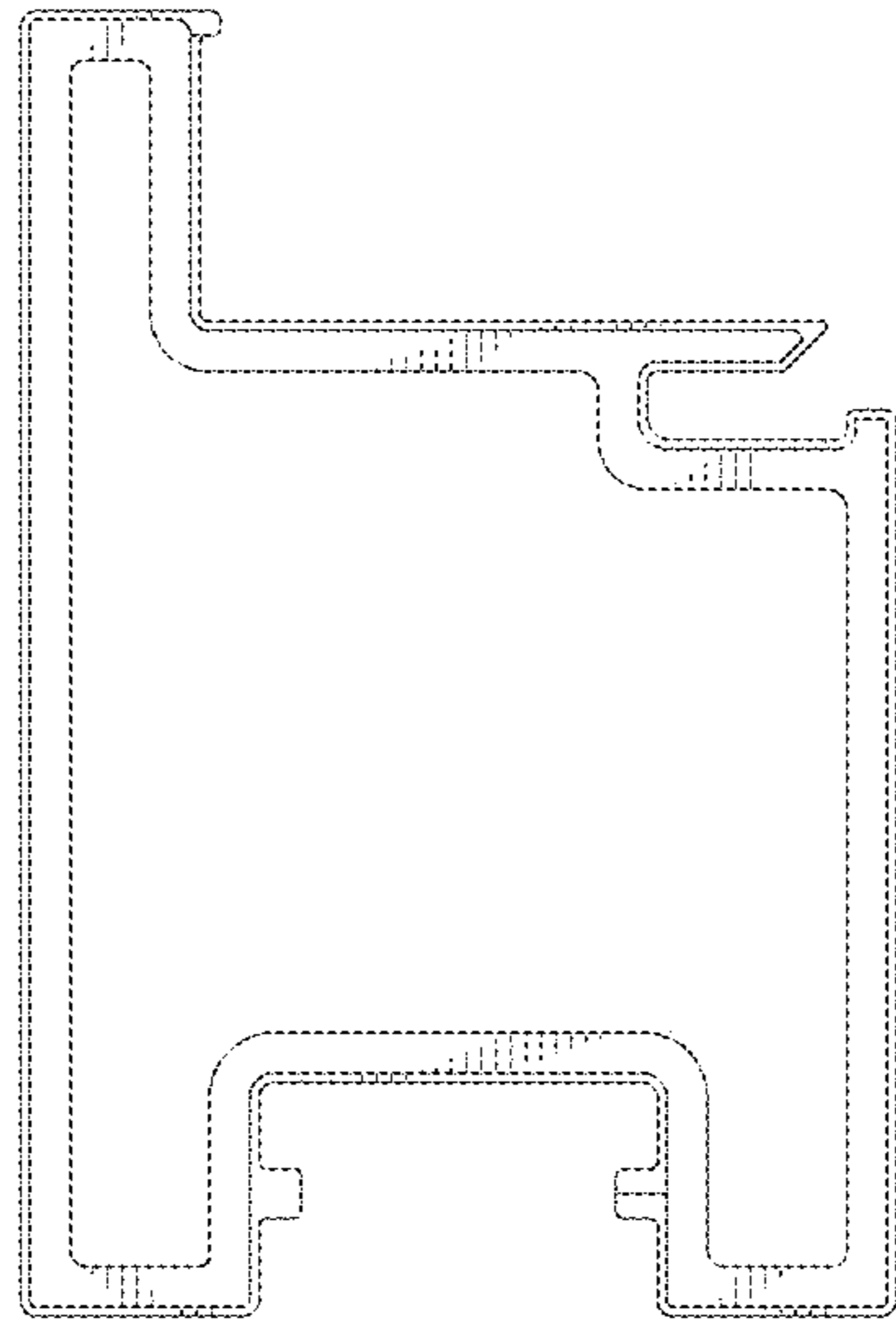


FIG. 5

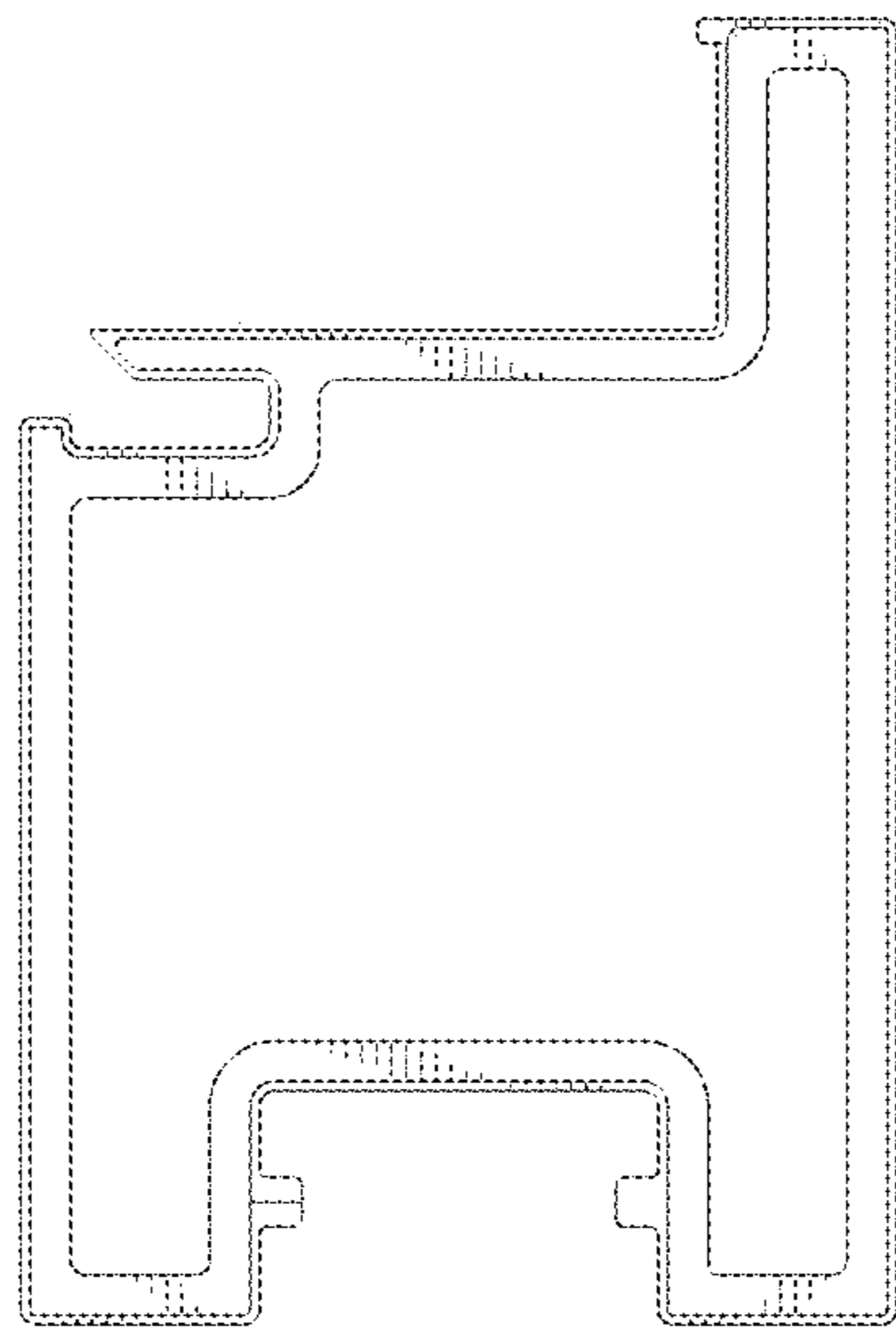


FIG. 6

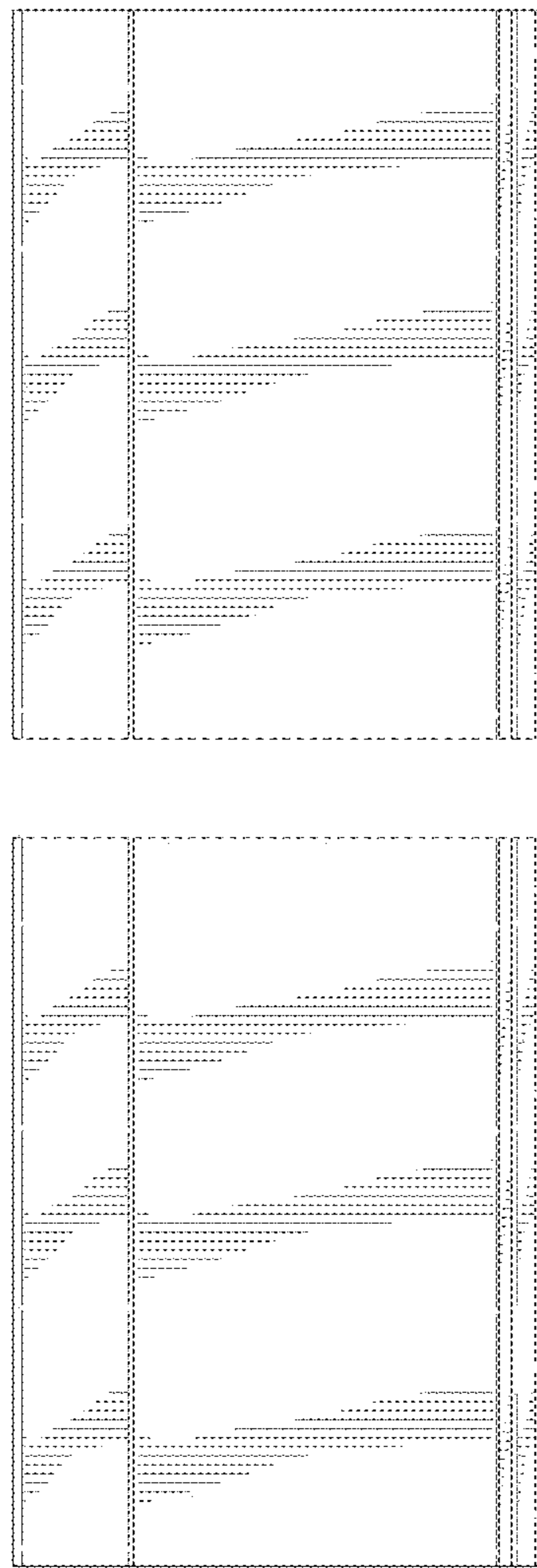


FIG. 7

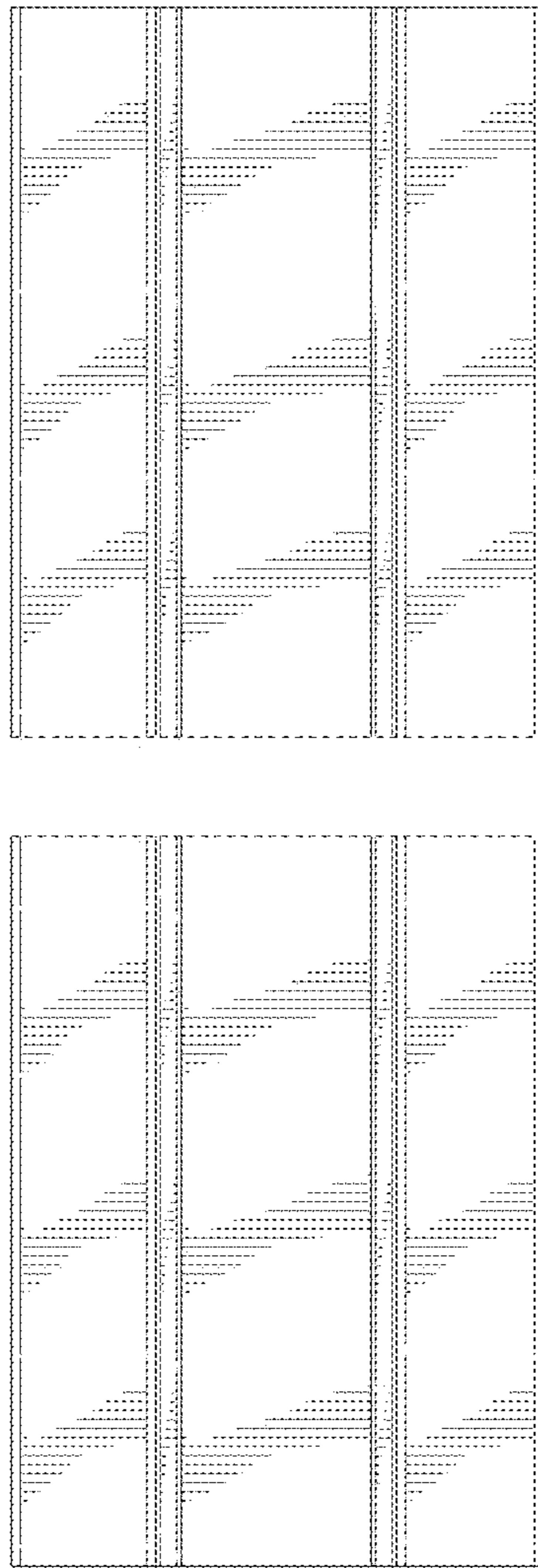


FIG. 8