



US00D917730S

(12) **United States Design Patent** (10) **Patent No.:** **US D917,730 S**
Nelson et al. (45) **Date of Patent:** **** Apr. 27, 2021**

(54) **WINDOW COMPONENT EXTRUSION**

(71) Applicant: **JELD-WEN, Inc.**, Charlotte, NC (US)

(72) Inventors: **Jacob Nelson**, Klamath Falls, OR (US);
Yoshua Gombo, Seattle, WA (US);
David Belau, Klamath Falls, OR (US);
Ryan Schroeder, Klamath Falls, OR
(US); **Jerry Jones**, Klamath Falls, OR
(US)

(73) Assignee: **JELD-WEN, Inc.**, Charlotte, NC (US)

(**) Term: **15 Years**

(21) Appl. No.: **29/722,573**

(22) Filed: **Jan. 30, 2020**

(51) **LOC (13) Cl.** **25-01**

(52) **U.S. Cl.**
USPC **D25/124**

(58) **Field of Classification Search**
USPC D25/35, 102, 119–125, 164; D8/354,
D8/373, 374, 376, 377
CPC E06B 1/02; E06B 1/04; E06B 1/12; E06B
1/14; E06B 1/16; E06B 1/26; E06B 1/28;
E06B 1/36; E06B 1/363; E06B 1/366;
E06B 1/38; E06B 1/40; E06B 1/52; E06B
1/524; E06B 1/56; E06B 1/62; E06B
1/68; E06B 3/04; E06B 3/06; E06B 3/24;
E06B 3/26; E06B 3/30; E06B 3/301;
E06B 3/306; E06B 3/308
See application file for complete search history.

(56) **References Cited**

U.S. PATENT DOCUMENTS

D333,876 S * 3/1993 Cole D25/124
D334,241 S * 3/1993 Cole D25/124
D338,723 S * 8/1993 Cole D25/124
D338,973 S * 8/1993 Cole D25/124

D338,974 S * 8/1993 Cole D25/124
D357,079 S * 4/1995 Franson D25/124
D358,663 S * 5/1995 Hosseini D25/124
D362,731 S * 9/1995 Schrader D25/124
D378,431 S * 3/1997 Dallaire D25/124
D379,529 S * 5/1997 DiGiorgio D25/124
D384,170 S * 9/1997 Franson D25/124
D394,510 S * 5/1998 Dallaire D25/124
D431,083 S * 9/2000 Franson D25/124
D450,134 S * 11/2001 Roberts D25/124
D450,392 S * 11/2001 Roberts D25/124
D450,393 S * 11/2001 Roberts D25/124
D470,251 S * 2/2003 Cole D25/125
D470,950 S * 2/2003 Roberts D25/124
D501,936 S * 2/2005 Kim D25/124
D546,977 S * 7/2007 Ye D25/124
D602,174 S * 10/2009 Franson D25/124
D615,666 S * 5/2010 Stephens D25/124

(Continued)

Primary Examiner — Llorellys Martinez

(74) *Attorney, Agent, or Firm* — Stoel Rives LLP

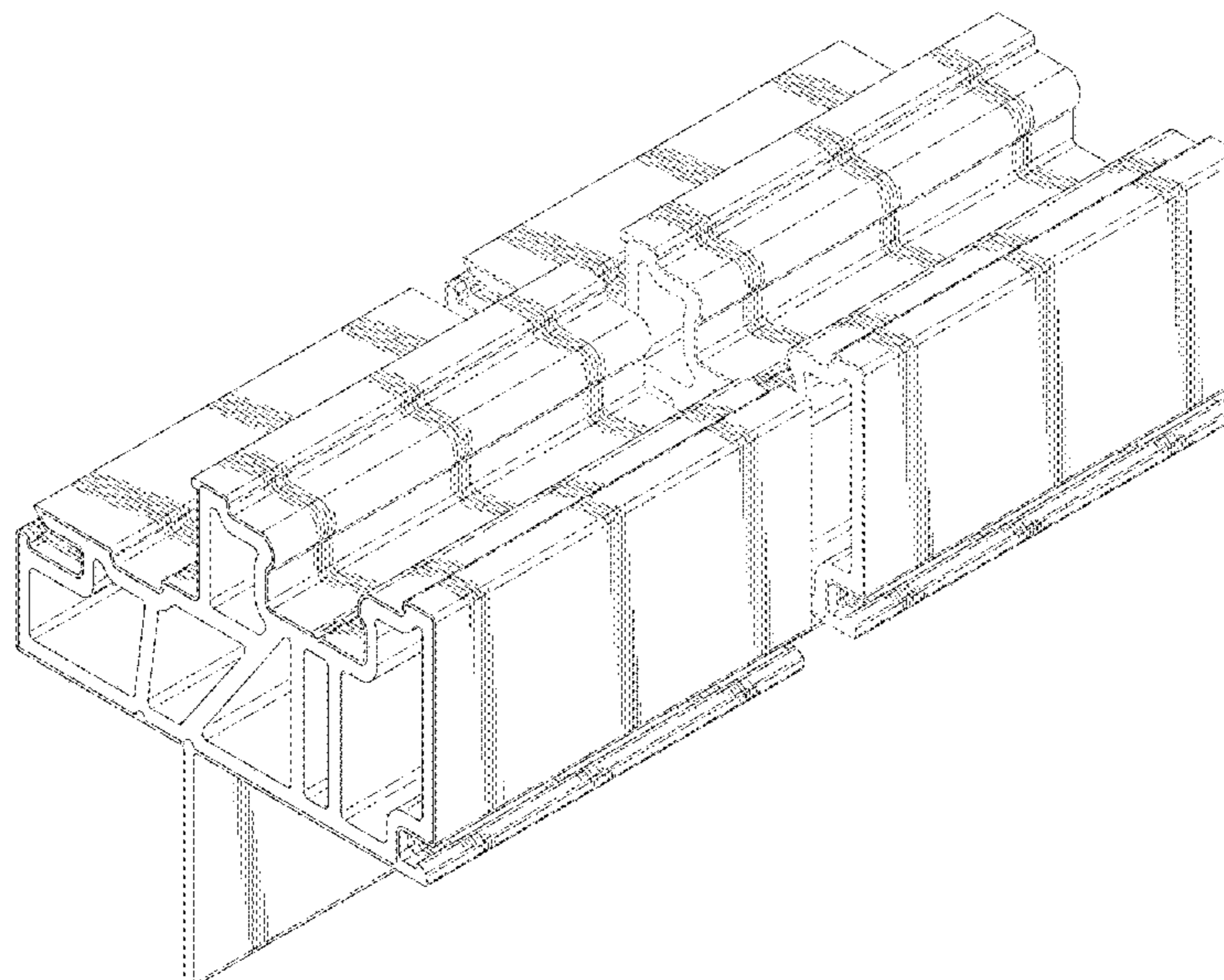
(57) **CLAIM**

The ornamental design for a window component extrusion,
as shown and described.

DESCRIPTION

FIG. 1 is a front perspective view of a window component
extrusion showing our new design.
FIG. 2 is a rear perspective view thereof.
FIG. 3 is a front elevation view thereof.
FIG. 4 is a rear elevation view thereof.
FIG. 5 is a left side elevation view thereof.
FIG. 6 is a right side elevation view thereof.
FIG. 7 is a top plan view thereof; and,
FIG. 8 is a bottom plan view thereof.
In FIGS. 1-4, 7, and 8, the window component extrusion is
shown with a symbolic break in its length. The appearance
of any portion of the window component extrusion between
the break lines forms no part of the claimed design.

1 Claim, 7 Drawing Sheets



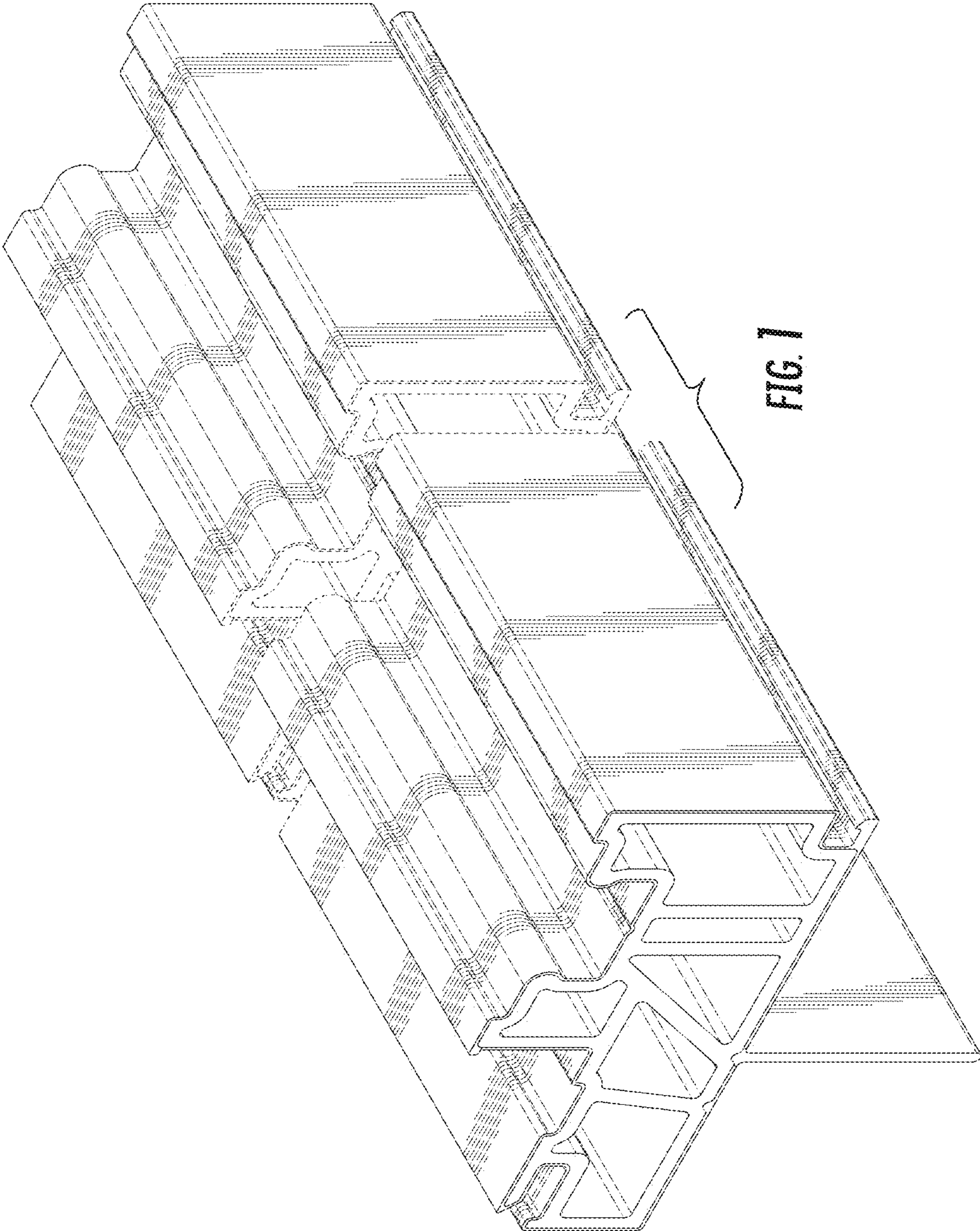
(56)

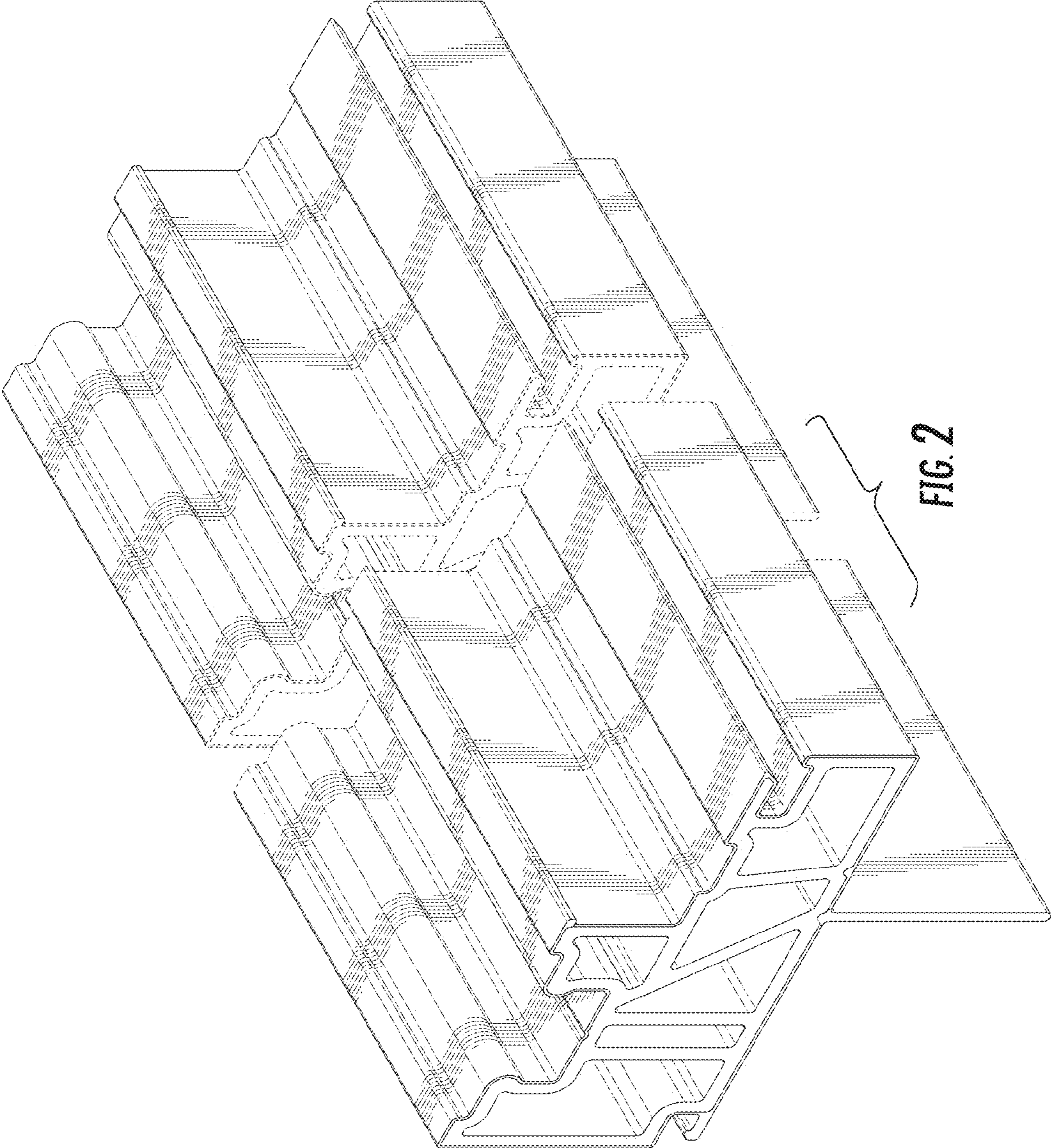
References Cited

U.S. PATENT DOCUMENTS

| | | | | | | |
|--------------|----|---|---------|------------|-------|-----------|
| D693,490 | S | * | 11/2013 | Wickland | | D25/124 |
| D714,468 | S | * | 9/2014 | Fannan | | D25/124 |
| D732,203 | S | * | 6/2015 | Campbell | | D25/124 |
| D732,204 | S | * | 6/2015 | Campbell | | D25/124 |
| D795,459 | S | * | 8/2017 | Marshall | | D25/125 |
| D855,219 | S | * | 7/2019 | Kosonen | | D25/124 |
| D855,831 | S | * | 8/2019 | Desrosiers | | D25/48.2 |
| D872,312 | S | * | 1/2020 | Desrosiers | | D25/124 |
| D872,890 | S | * | 1/2020 | Hawthorne | | D25/124 |
| 2014/0102035 | A1 | * | 4/2014 | Rochman | | E06B 1/68 |
| | | | | | | 52/710 |
| 2017/0058593 | A1 | * | 3/2017 | Albrecht | | E06B 1/60 |

* cited by examiner





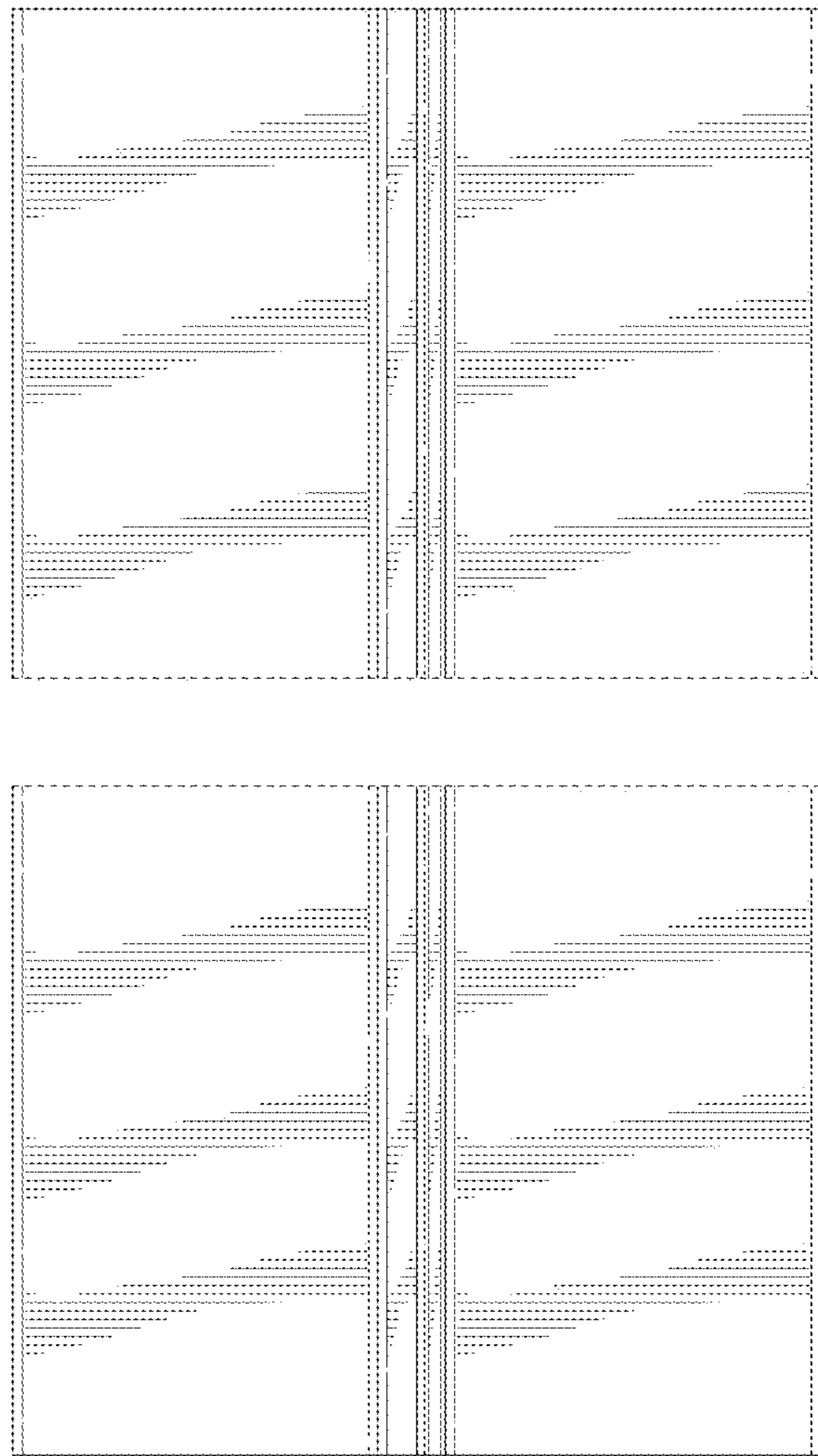


FIG. 3

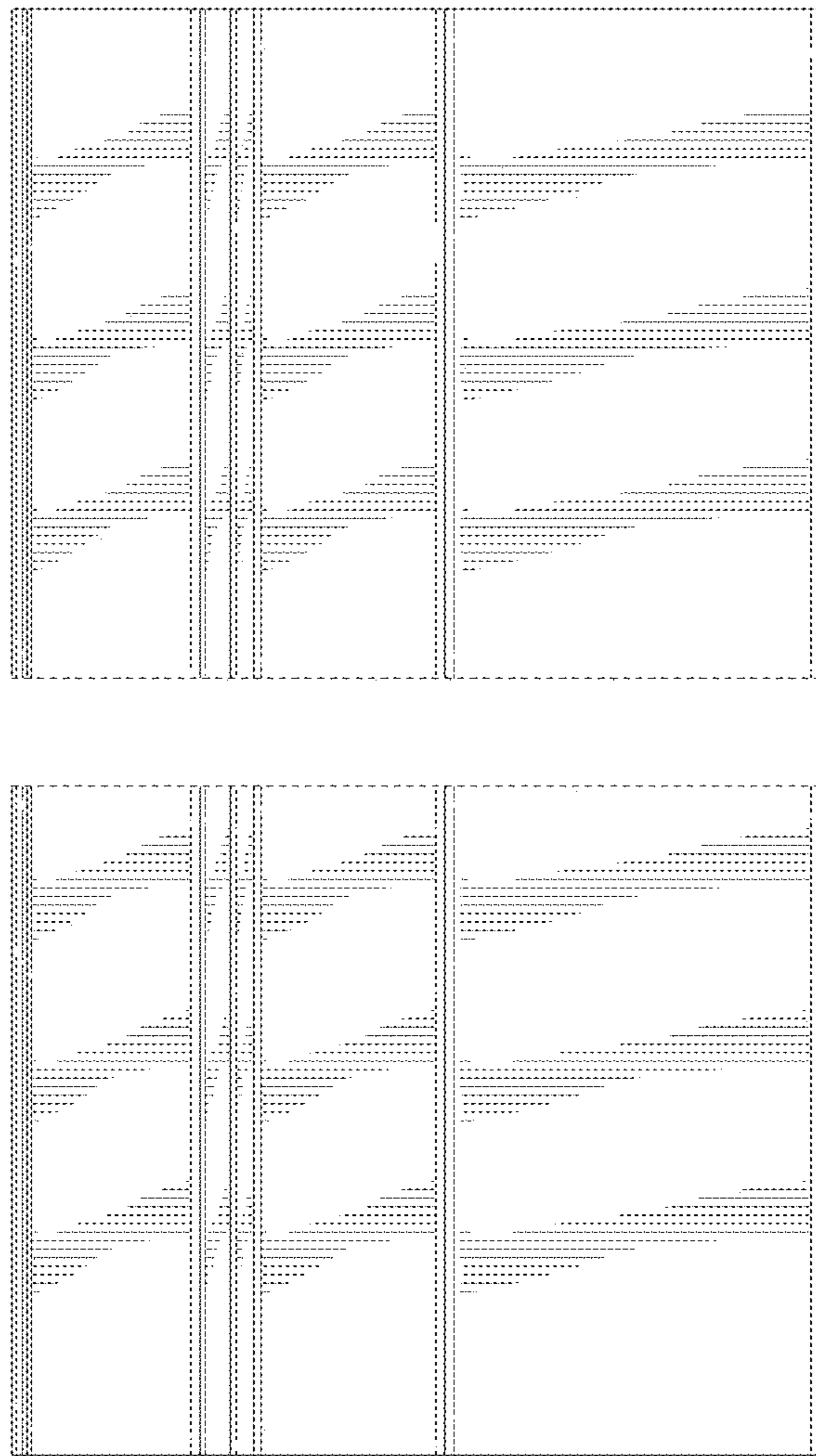


FIG. 4

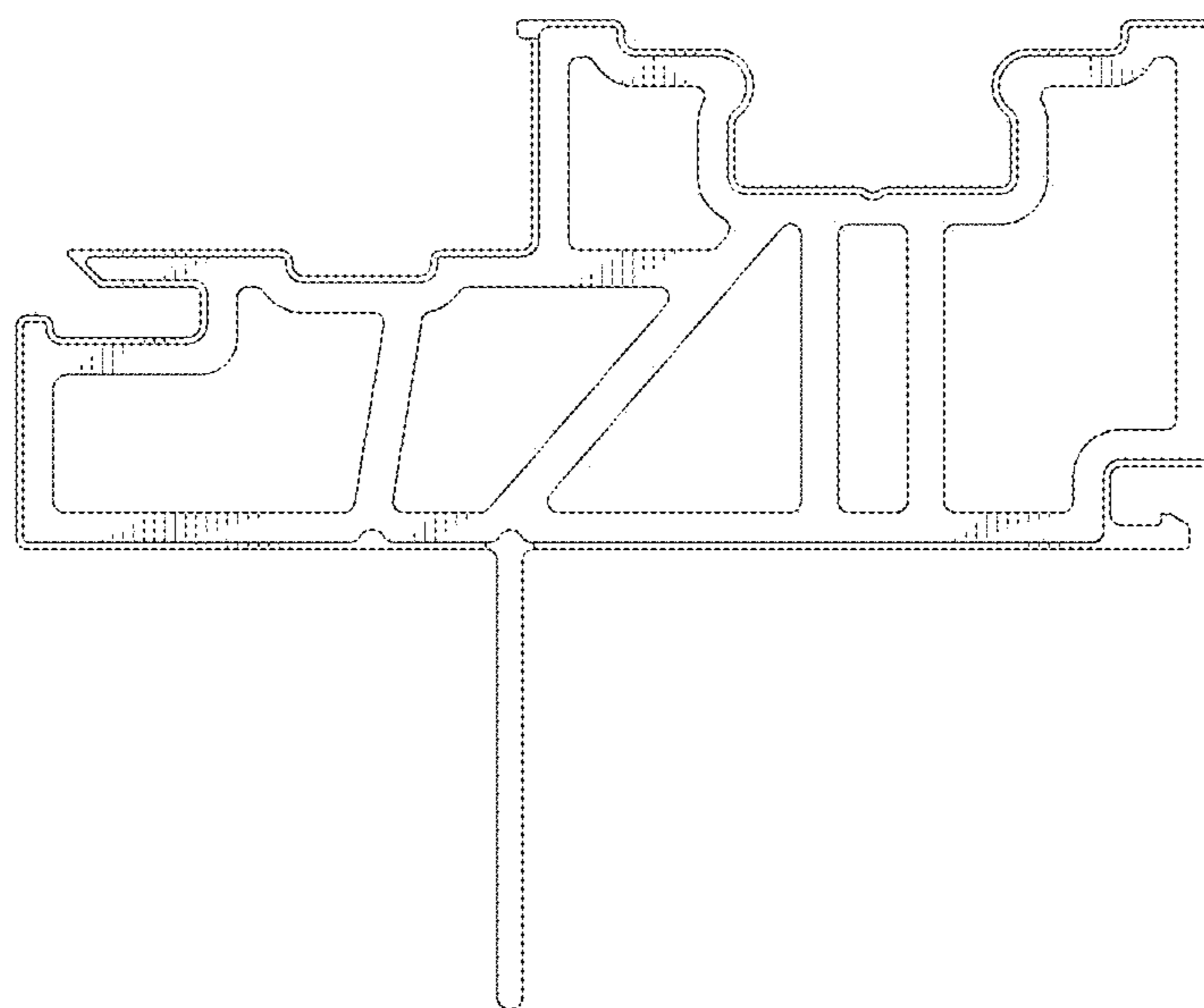


FIG. 5

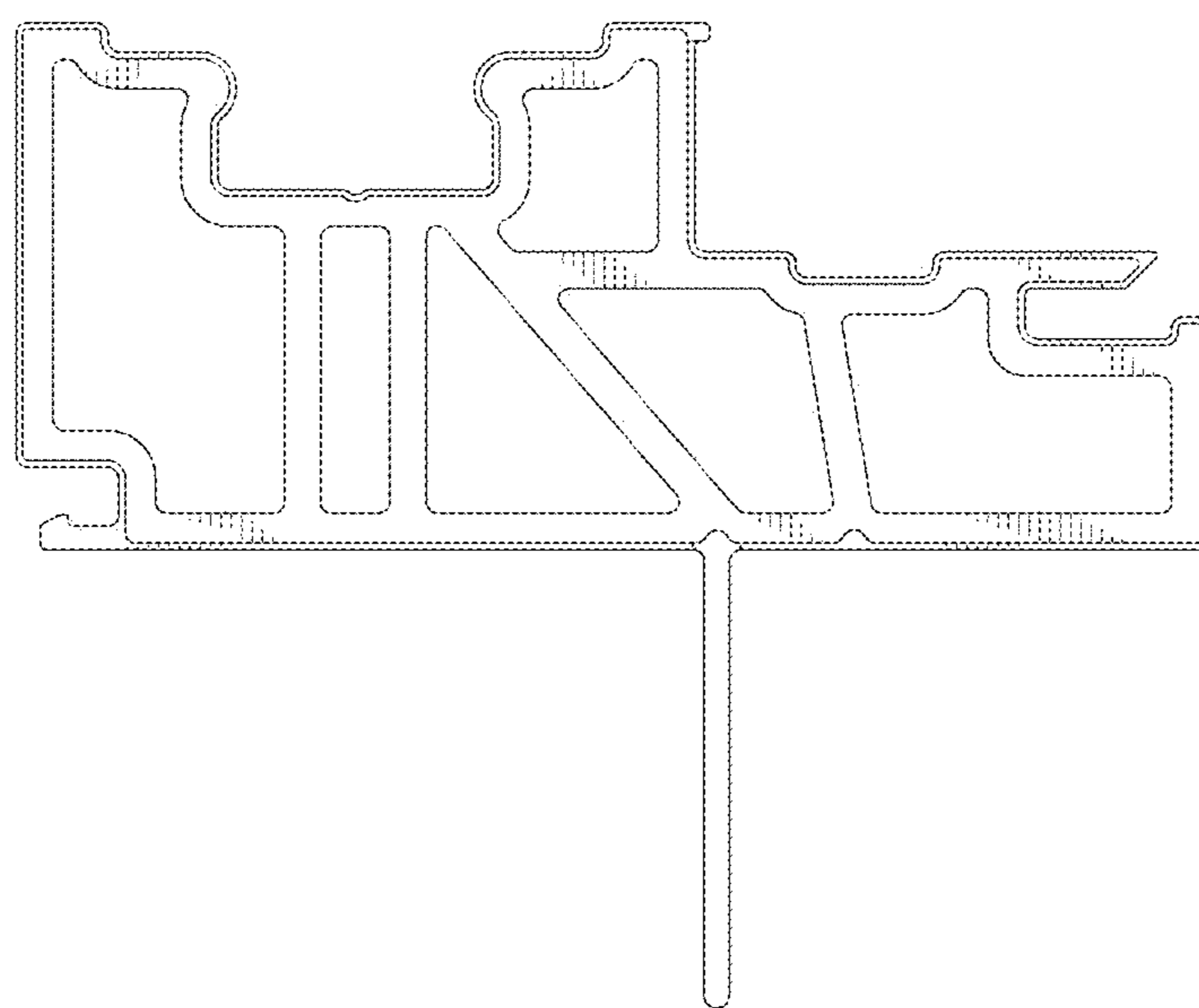


FIG. 6

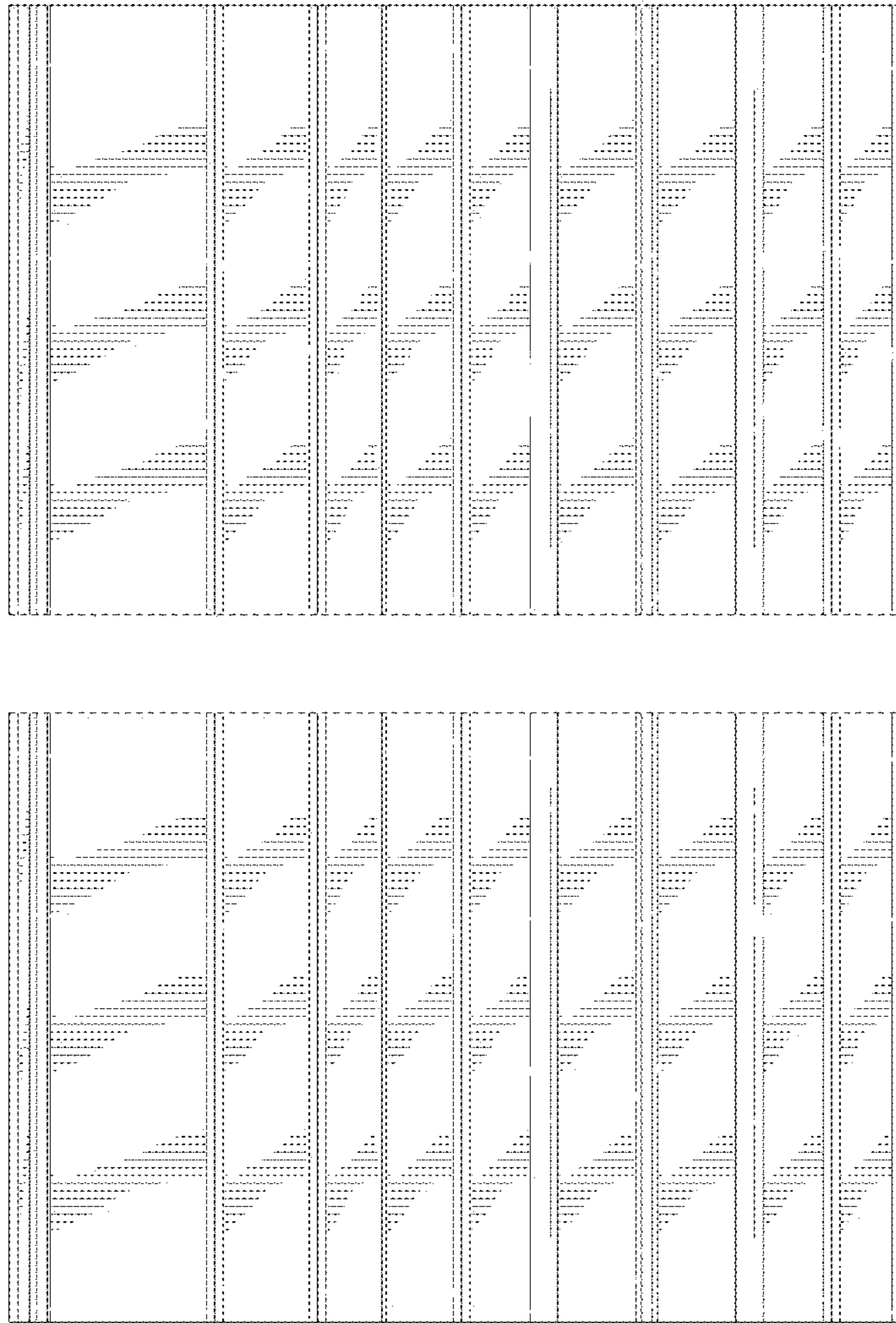


FIG. 7

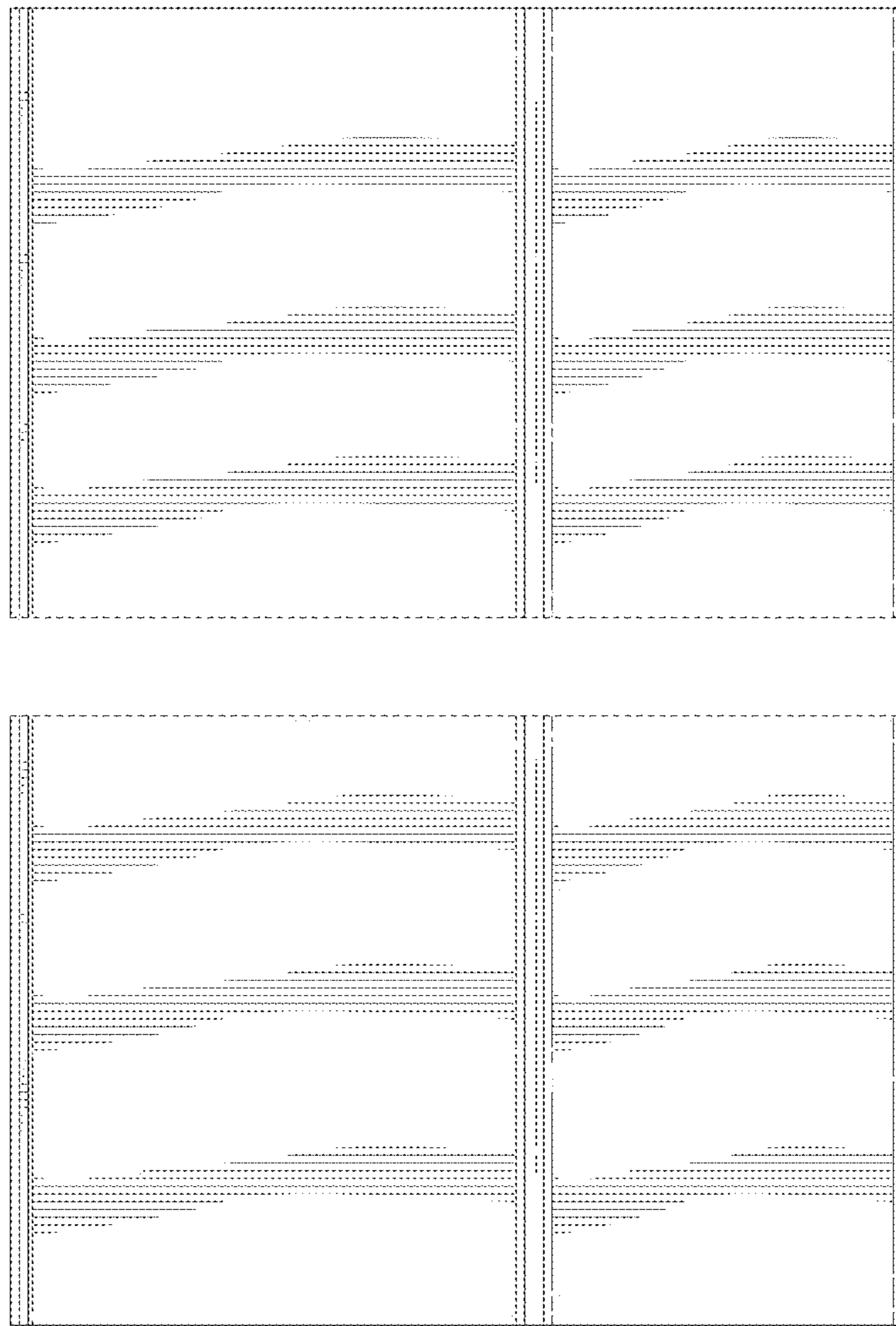


FIG. 8