



US00D917729S

(12) **United States Design Patent** (10) **Patent No.:** **US D917,729 S**  
**Nelson et al.** (45) **Date of Patent:** **\*\* Apr. 27, 2021**

(54) **WINDOW COMPONENT EXTRUSION**

(56) **References Cited**

(71) Applicant: **JELD-WEN, Inc.**, Charlotte, NC (US)

U.S. PATENT DOCUMENTS

(72) Inventors: **Jacob Nelson**, Klamath Falls, OR (US);  
**Yoshua Gombo**, Seattle, WA (US);  
**David Belau**, Klamath Falls, OR (US);  
**Ryan Schroeder**, Klamath Falls, OR  
(US); **Jerry Jones**, Klamath Falls, OR  
(US)

D338,722	S	*	8/1993	Cole	.....	D25/124
D358,664	S	*	5/1995	Franson	.....	D25/124
D471,648	S	*	3/2003	Chaney	.....	D25/124
D630,342	S	*	1/2011	Wickland	.....	D25/124
D767,790	S	*	9/2016	Chaney	.....	D25/124
D769,465	S	*	10/2016	Fannan	.....	D25/124
D769,466	S	*	10/2016	Fannan	.....	D25/124
2013/0000232	A1	*	1/2013	Weiss	.....	E06B 3/06 52/204.6

(73) Assignee: **JELD-WEN, Inc.**, Charlotte, NC (US)

\* cited by examiner

(\*\*) Term: **15 Years**

*Primary Examiner* — Llorelys Martinez

(21) Appl. No.: **29/710,180**

(74) *Attorney, Agent, or Firm* — Stoel Rives LLP

(22) Filed: **Oct. 21, 2019**

(57) **CLAIM**

The ornamental design for a window component extrusion,  
as shown and described.

(51) **LOC (13) Cl.** ..... **25-01**

**DESCRIPTION**

(52) **U.S. Cl.**

USPC ..... **D25/124**

(58) **Field of Classification Search**

USPC ..... D25/35, 102, 119–125, 164; D8/354,  
D8/373, 374, 376, 377

CPC ..... E06B 1/02; E06B 1/04; E06B 1/12; E06B  
1/14; E06B 1/16; E06B 1/26; E06B 1/28;  
E06B 1/36; E06B 1/363; E06B 1/366;  
E06B 1/38; E06B 1/40; E06B 1/52; E06B  
1/524; E06B 1/56; E06B 1/62; E06B  
1/68; E06B 3/04; E06B 3/06; E06B 3/24;  
E06B 3/26; E06B 3/30; E06B 3/301;  
E06B 3/306; E06B 3/308

FIG. 1 is a front perspective view of a window component  
extrusion showing our new design.

FIG. 2 is a rear perspective view thereof.

FIG. 3 is a front elevation view thereof.

FIG. 4 is a rear elevation view thereof.

FIG. 5 is a left side elevation view thereof.

FIG. 6 is a right side elevation view thereof.

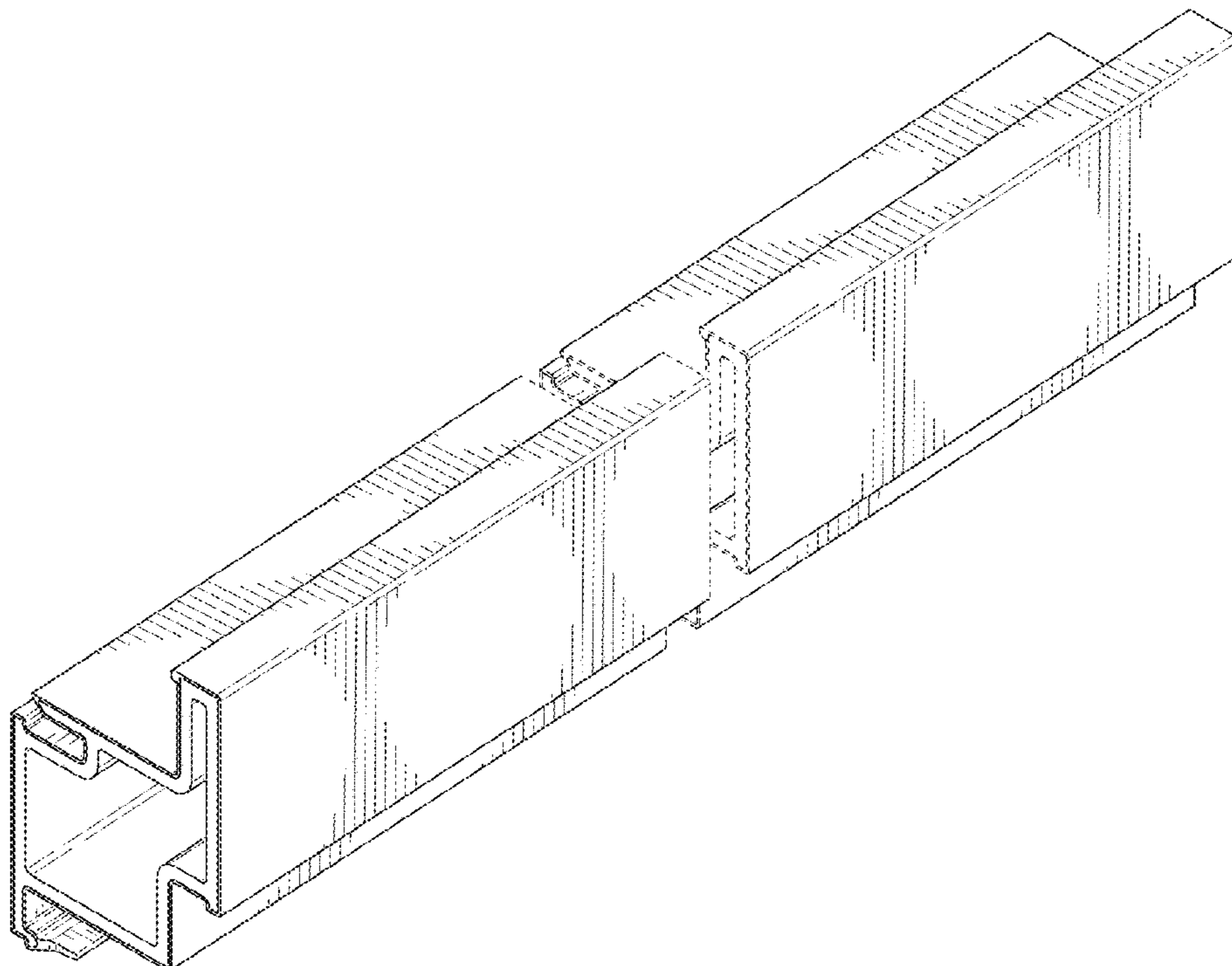
FIG. 7 is a top plan view thereof; and,

FIG. 8 is a bottom plan view thereof.

In FIGS. 1-4, 7, and 8, the window component extrusion is  
shown with a symbolic break in its length. The appearance  
of any portion of the window component extrusion between  
the break lines forms no part of the claimed design.

See application file for complete search history.

**1 Claim, 5 Drawing Sheets**



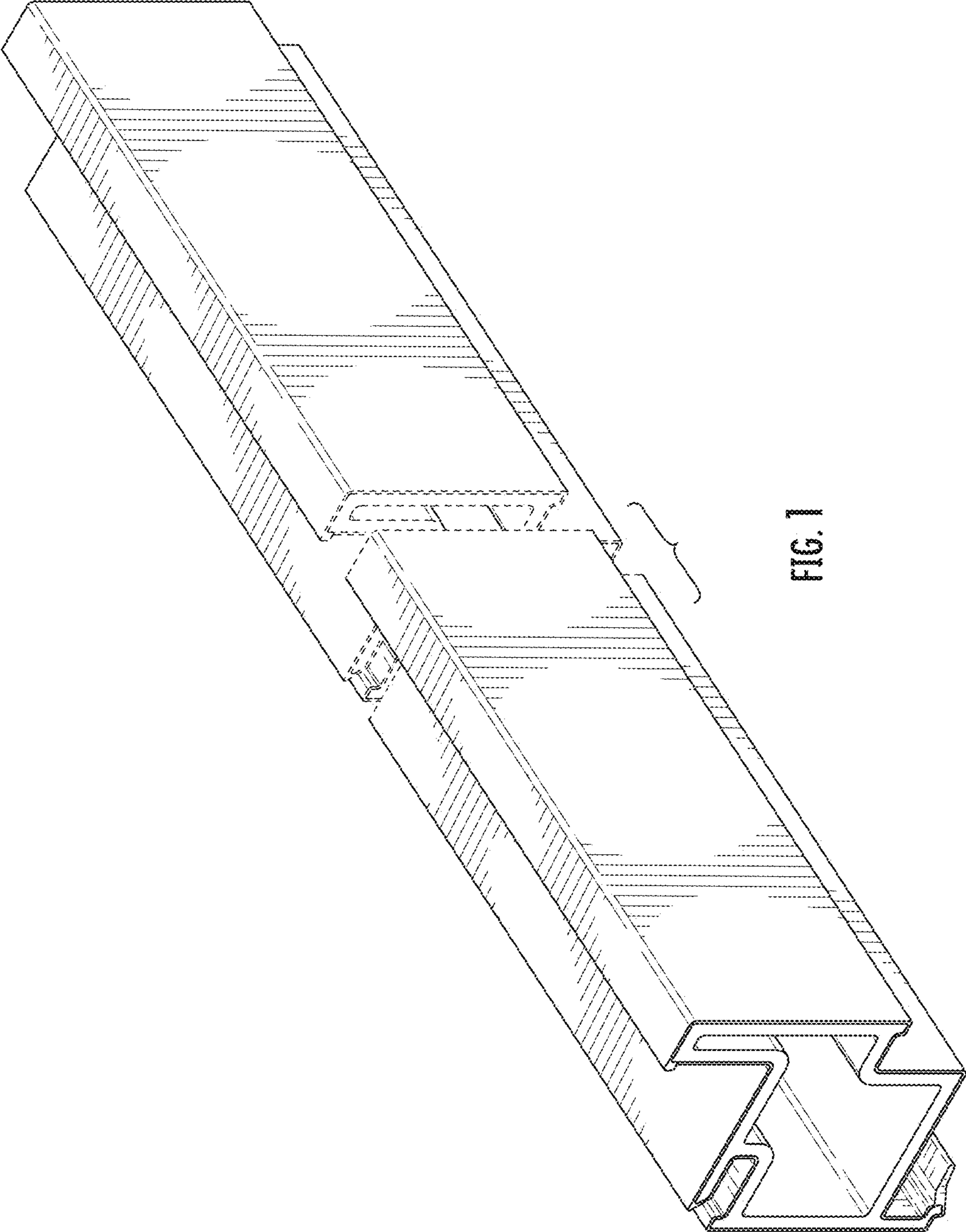


FIG. 1

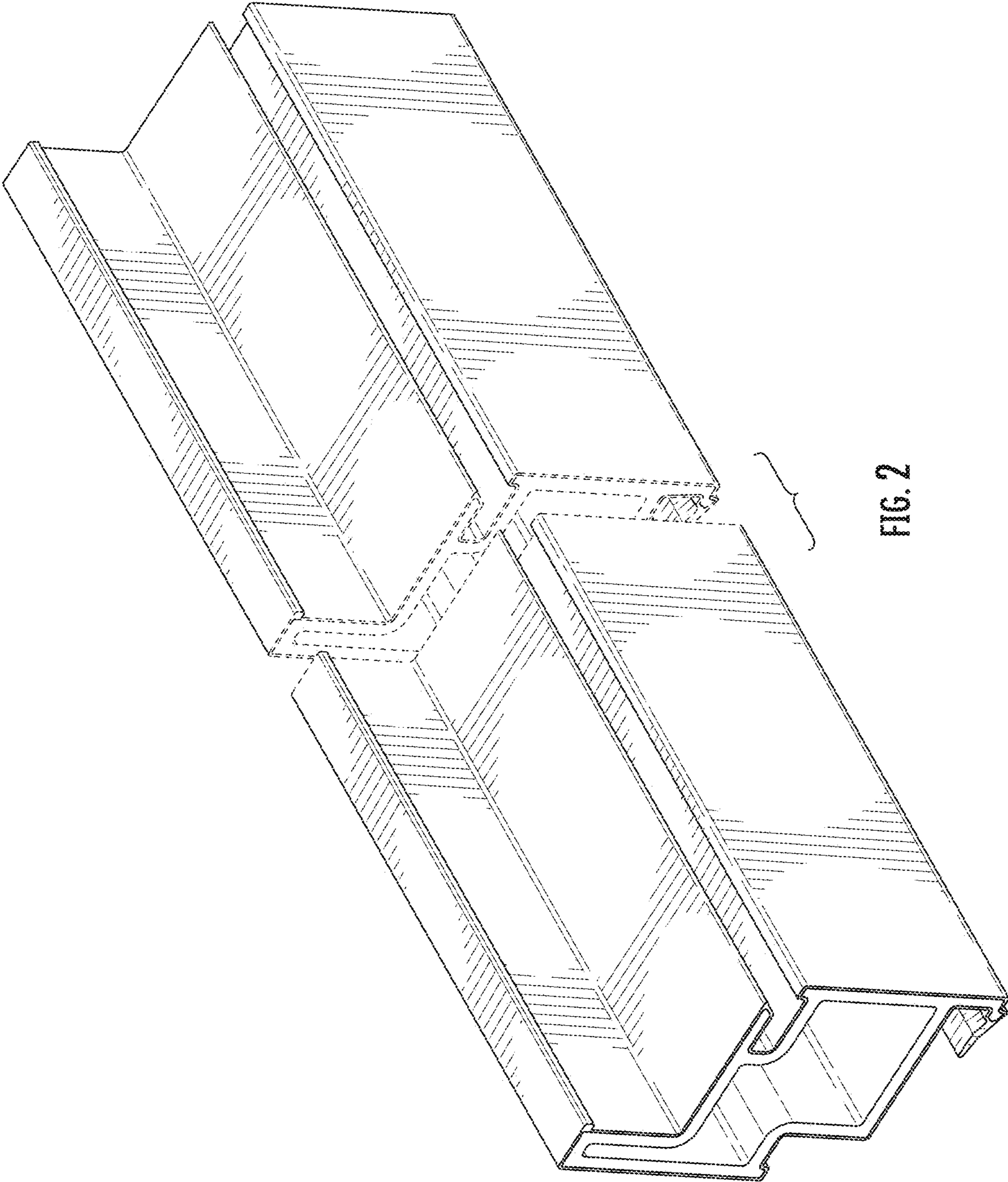


FIG. 2

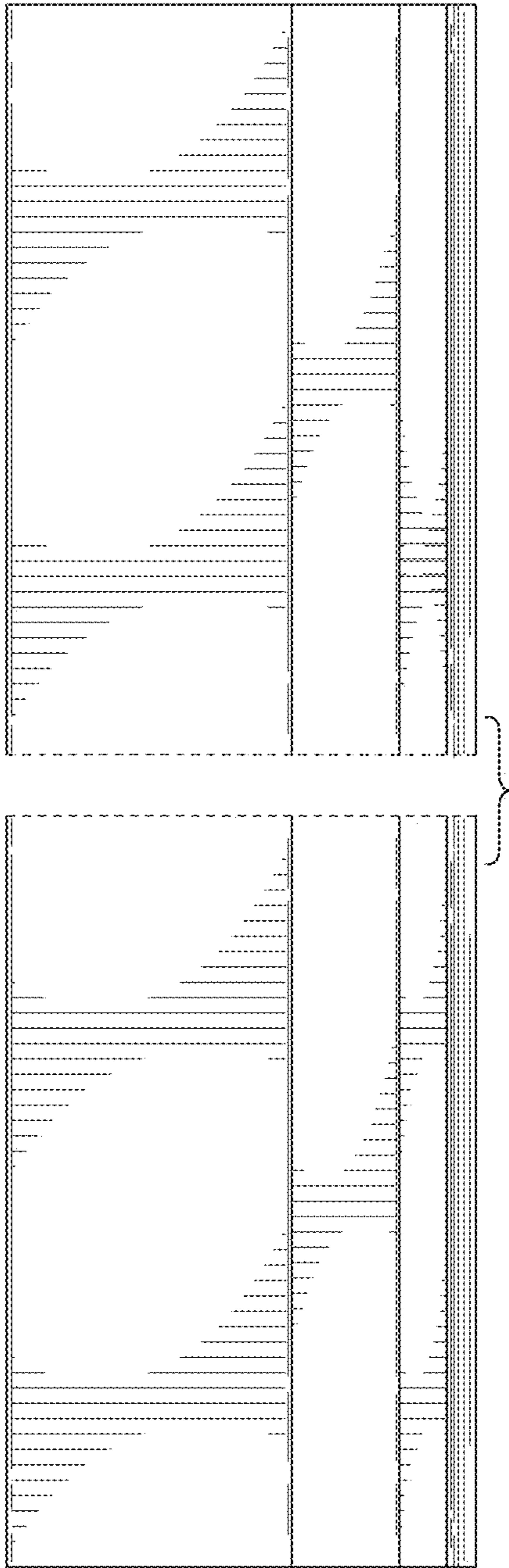


FIG. 3

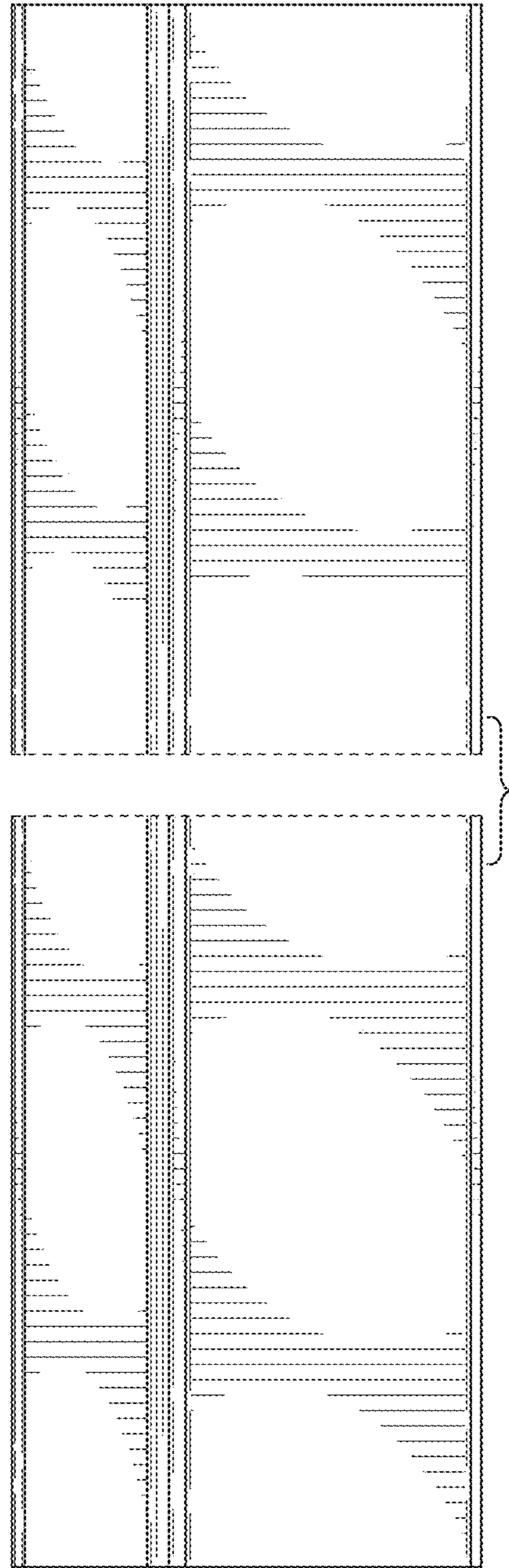


FIG. 4

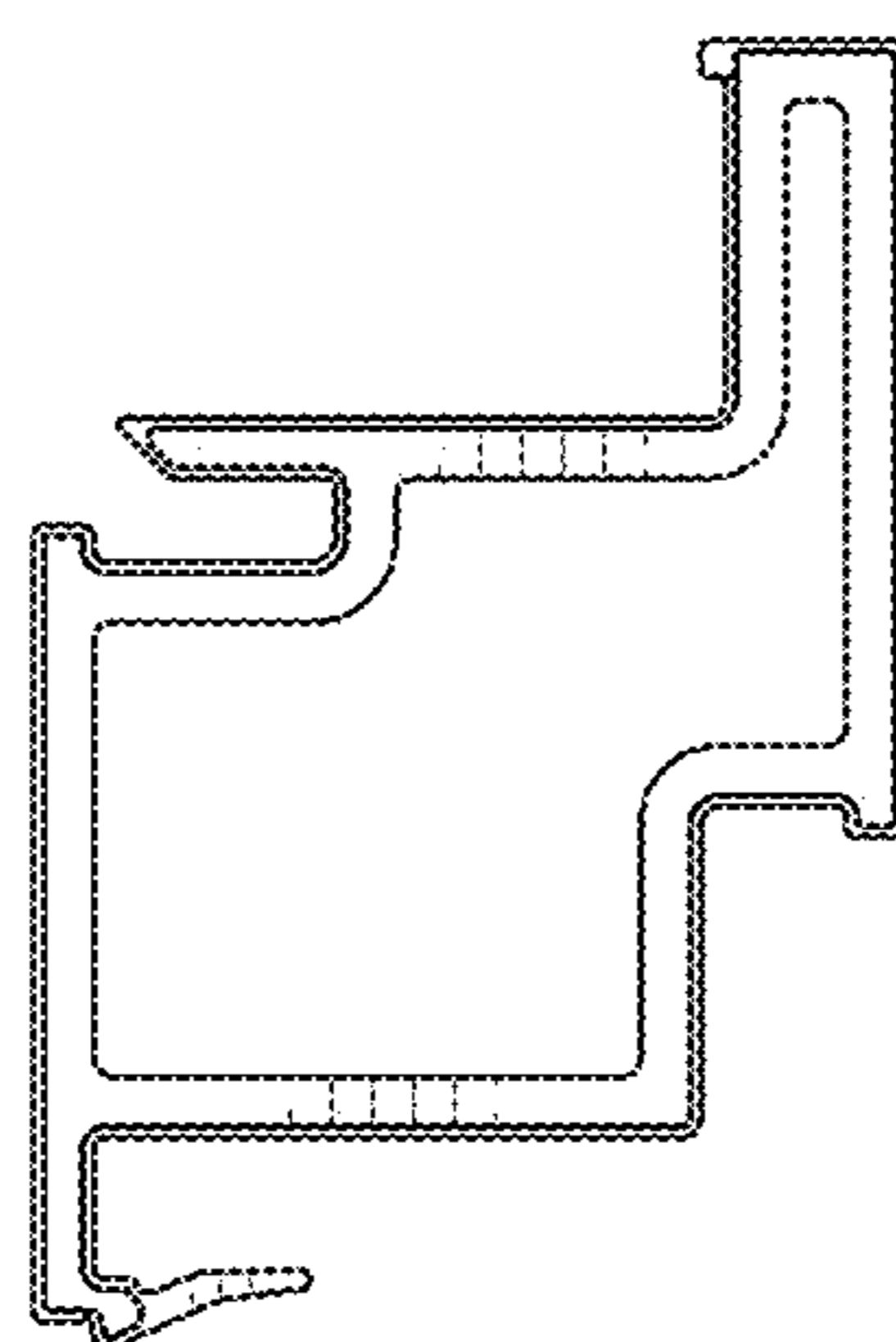


FIG. 5

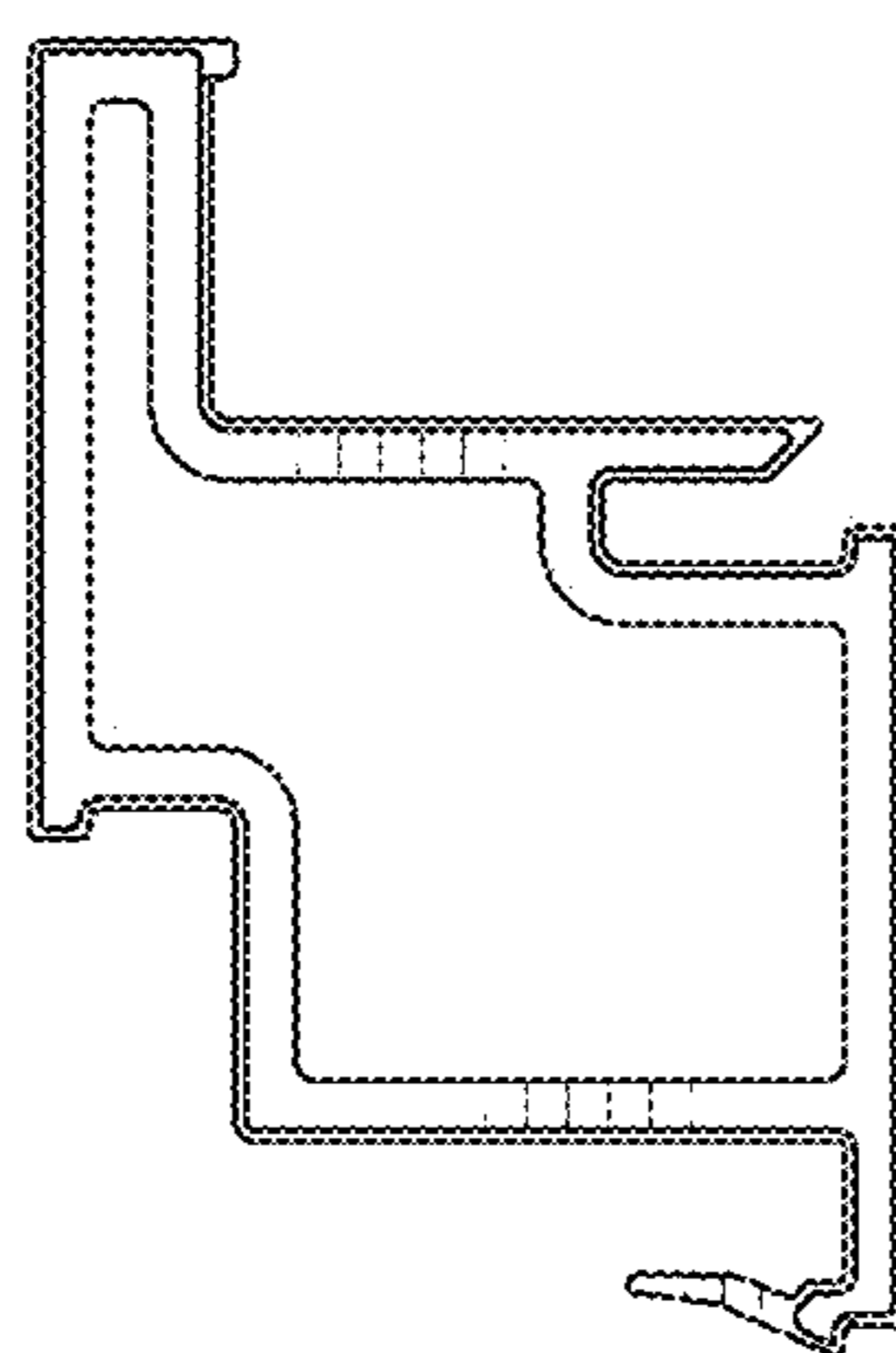


FIG. 6

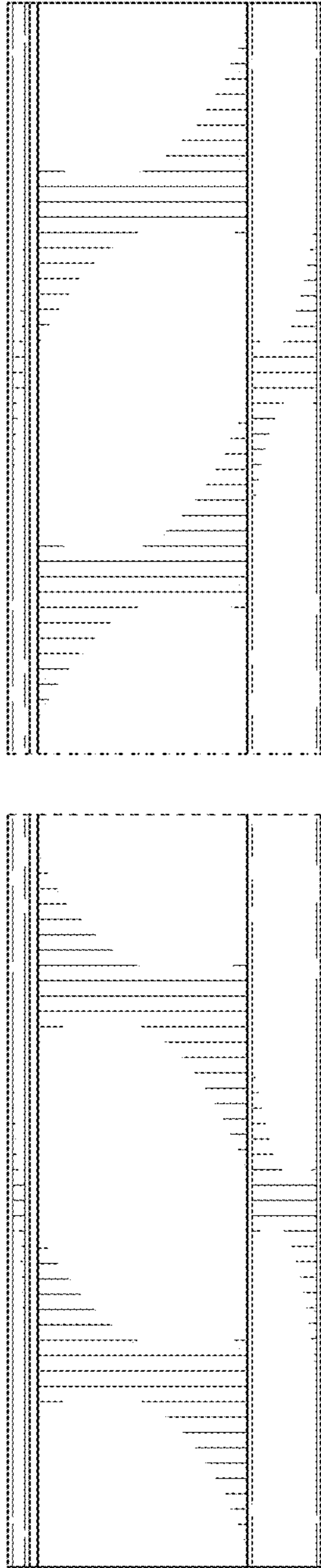


FIG. 7

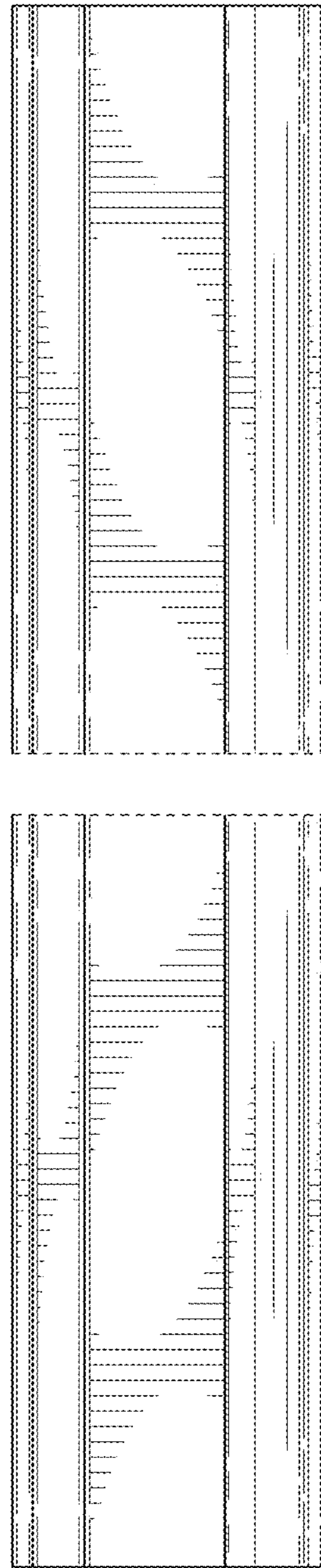


FIG. 8