



US00D917727S

(12) **United States Design Patent** (10) **Patent No.:** **US D917,727 S**
Nelson et al. (45) **Date of Patent:** **** Apr. 27, 2021**

(54) **WINDOW COMPONENT EXTRUSION**
(71) Applicant: **JELD-WEN, Inc.**, Charlotte, NC (US)
(72) Inventors: **Jacob Nelson**, Klamath Falls, OR (US);
Yoshua Gombo, Seattle, WA (US);
David Belau, Klamath Falls, OR (US);
Ryan Schroeder, Klamath Falls, OR
(US); **Jerry Jones**, Klamath Falls, OR
(US)

(73) Assignee: **JELD-WEN, Inc.**, Charlotte, NC (US)

(**) Term: **15 Years**

(21) Appl. No.: **29/710,177**

(22) Filed: **Oct. 21, 2019**

(51) **LOC (13) Cl.** **25-01**

(52) **U.S. Cl.**
USPC **D25/124**

(58) **Field of Classification Search**
USPC D25/35, 102, 119–125, 164; D8/354,
D8/373, 374, 376, 377
CPC E06B 1/02; E06B 1/04; E06B 1/12; E06B
1/14; E06B 1/16; E06B 1/26; E06B 1/28;
E06B 1/36; E06B 1/363; E06B 1/366;
E06B 1/38; E06B 1/40; E06B 1/52; E06B
1/524; E06B 1/56; E06B 1/62; E06B
1/68; E06B 3/04; E06B 3/06; E06B 3/24;
E06B 3/26; E06B 3/30; E06B 3/301;
E06B 3/306; E06B 3/308
See application file for complete search history.

(56) **References Cited**

U.S. PATENT DOCUMENTS

D324,919 S * 3/1992 Dallaire D25/124
D334,070 S * 3/1993 Cole D25/124
D335,712 S * 5/1993 Cole D25/124
D366,323 S * 1/1996 Schrader D25/124

D366,324 S * 1/1996 Oliver D25/124
D372,315 S * 7/1996 Schrader D25/124
D375,176 S * 10/1996 DiGiorgio D25/124
D379,526 S * 5/1997 DiGiorgio D25/124
D382,072 S * 8/1997 Dallaire D25/124
D441,103 S * 4/2001 Habeck D25/124
D441,465 S * 5/2001 Habeck D25/124
D473,325 S * 4/2003 Schrader D25/124
D590,959 S * 4/2009 Franson D25/124
D593,686 S * 6/2009 Campbell D25/124
D593,687 S * 6/2009 Campbell D25/124
D693,487 S * 11/2013 Fannan D25/124
D759,846 S * 6/2016 Marshall D25/124
D759,848 S * 6/2016 Marshall D25/124
D759,849 S * 6/2016 Marshall D25/124
D767,790 S * 9/2016 Chaney D25/124
D795,463 S * 8/2017 Marshall D25/125
D885,611 S * 5/2020 Marshall D25/124

(Continued)

Primary Examiner — Llorellys Martinez

(74) *Attorney, Agent, or Firm* — Stoel Rives LLP

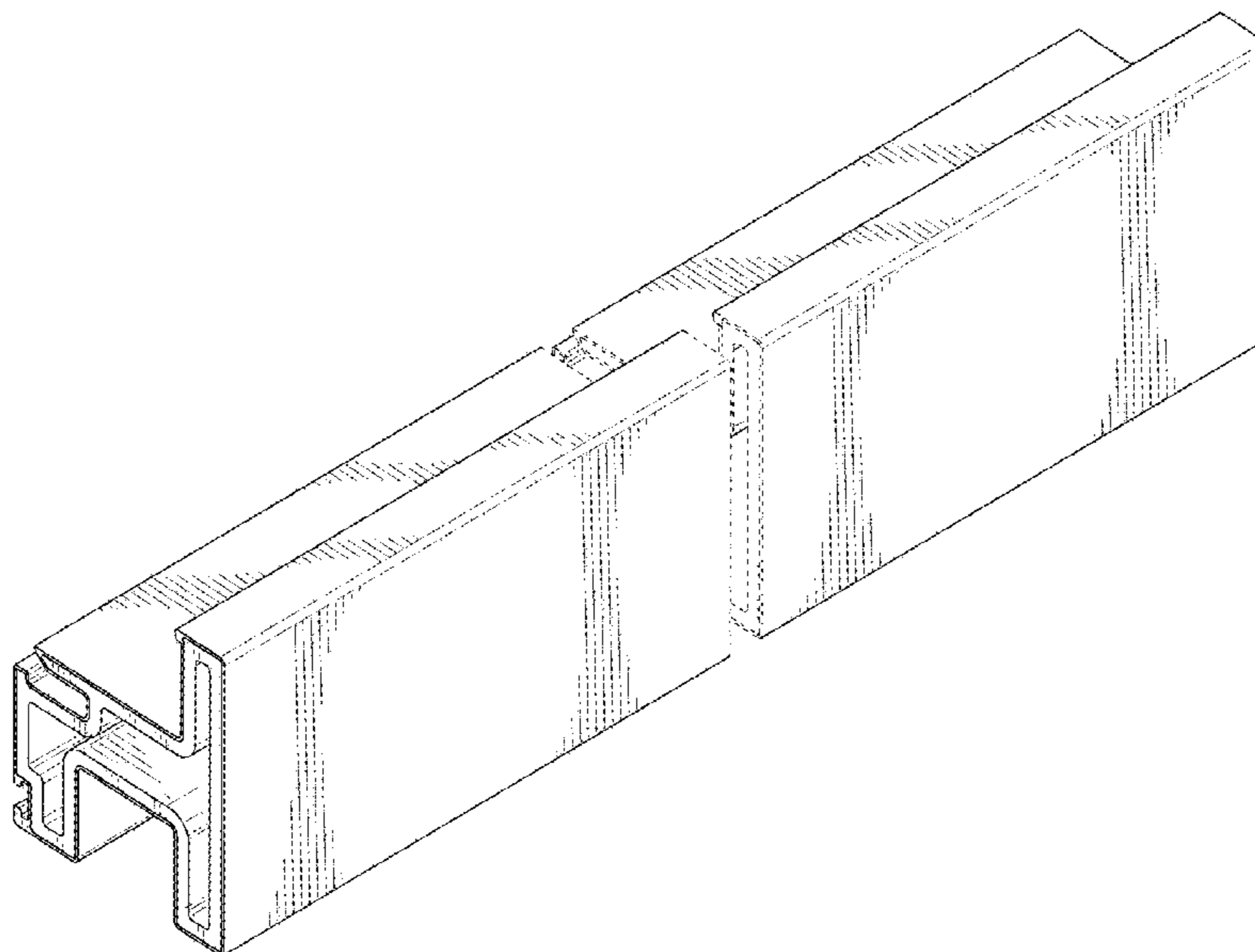
(57) **CLAIM**

The ornamental design for a window component extrusion,
as shown and described.

DESCRIPTION

FIG. 1 is a front perspective view of a window component
extrusion showing our new design.
FIG. 2 is a rear perspective view thereof.
FIG. 3 is a front elevation view thereof.
FIG. 4 is a rear elevation view thereof.
FIG. 5 is a left side elevation view thereof.
FIG. 6 is a right side elevation view thereof.
FIG. 7 is a top plan view thereof; and,
FIG. 8 is a bottom plan view thereof.
In FIGS. 1-4, 7, and 8, the window component extrusion is
shown with a symbolic break in its length. The appearance
of any portion of the window component extrusion between
the break lines forms no part of the claimed design.

1 Claim, 5 Drawing Sheets



(56)

References Cited

U.S. PATENT DOCUMENTS

2013/0000232 A1* 1/2013 Weiss E06B 3/06
52/204.6
2017/0074029 A1* 3/2017 Fetting B29C 48/15

* cited by examiner

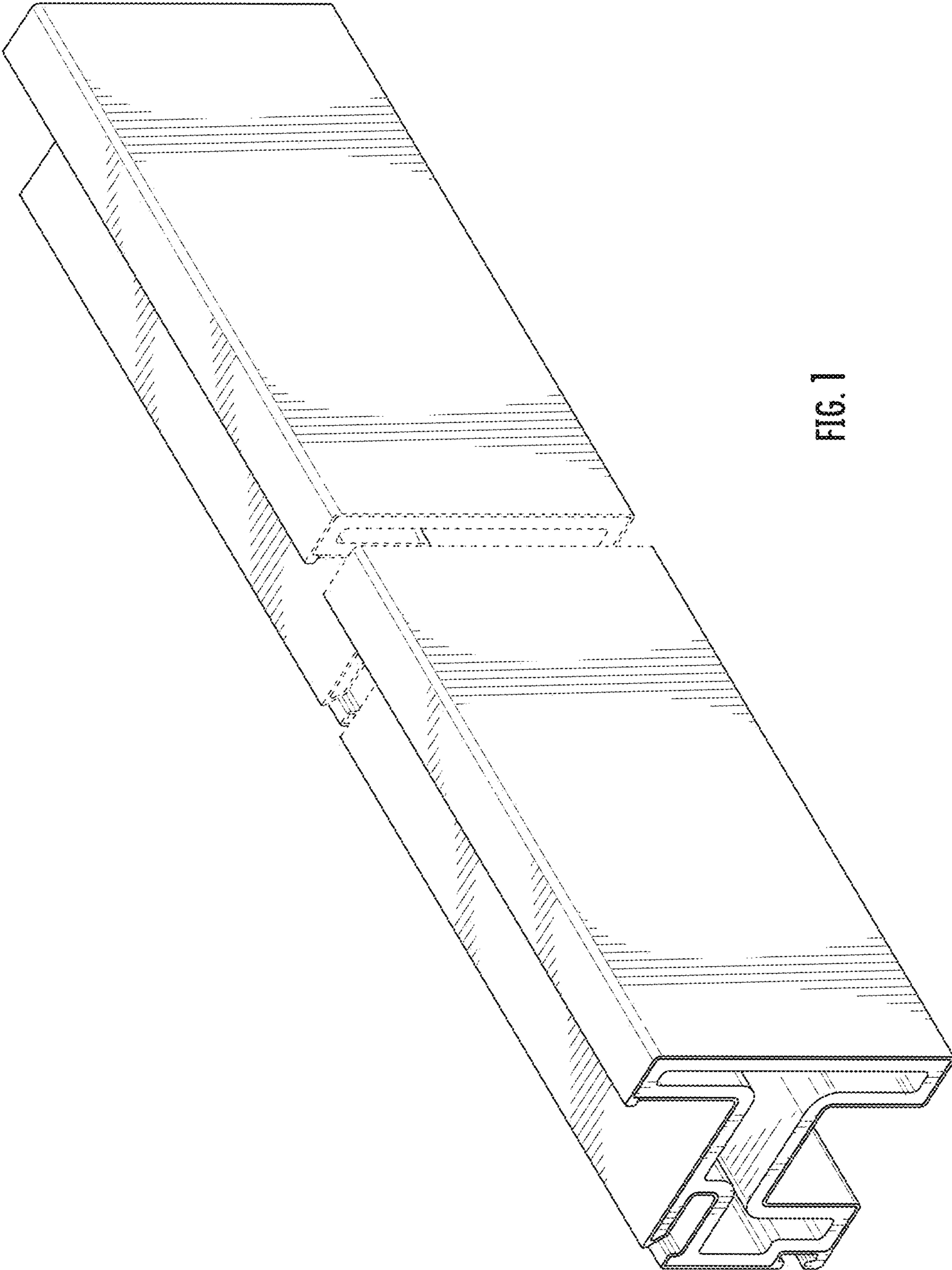


FIG. 1

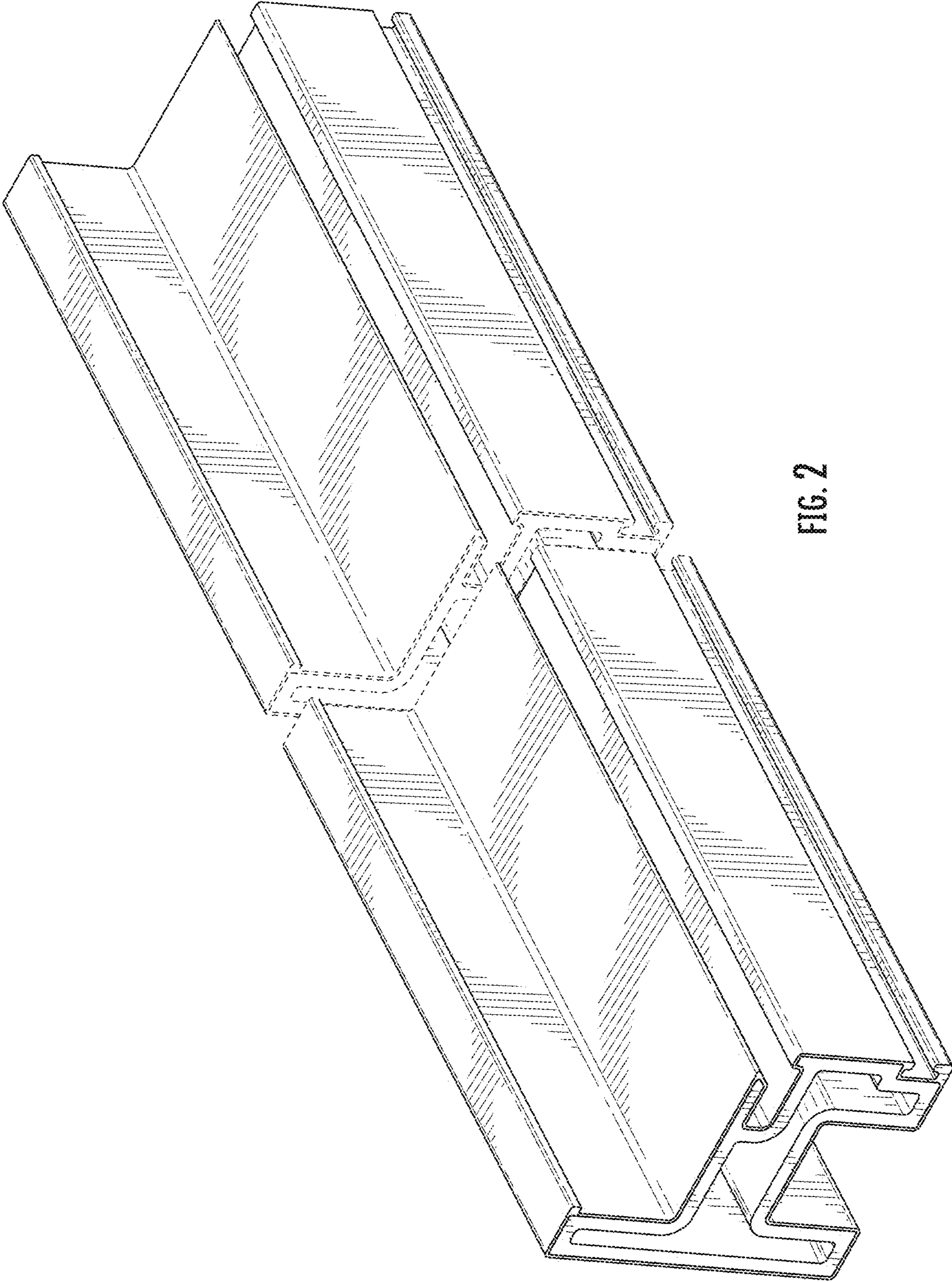


FIG. 2

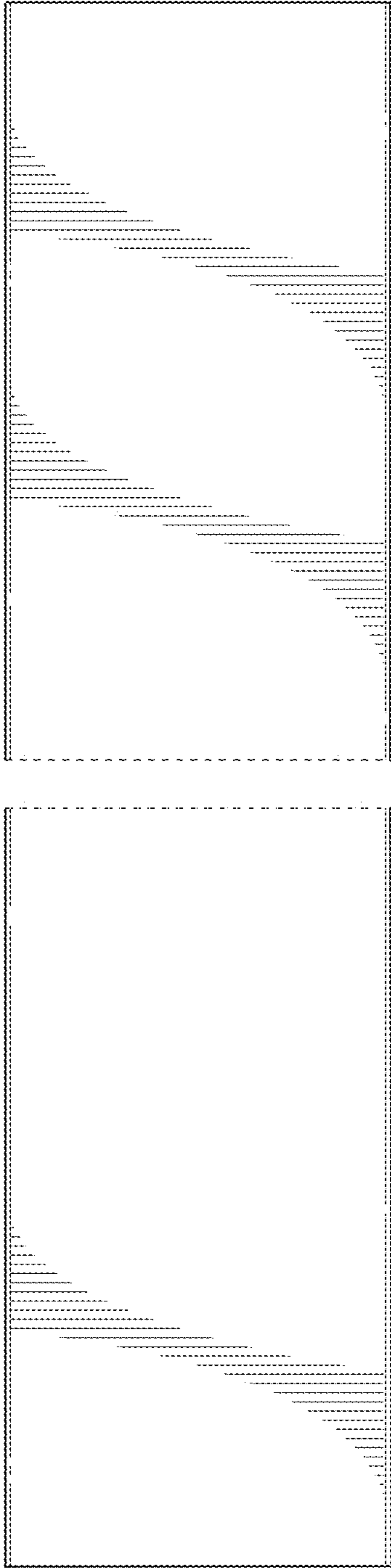


FIG. 3

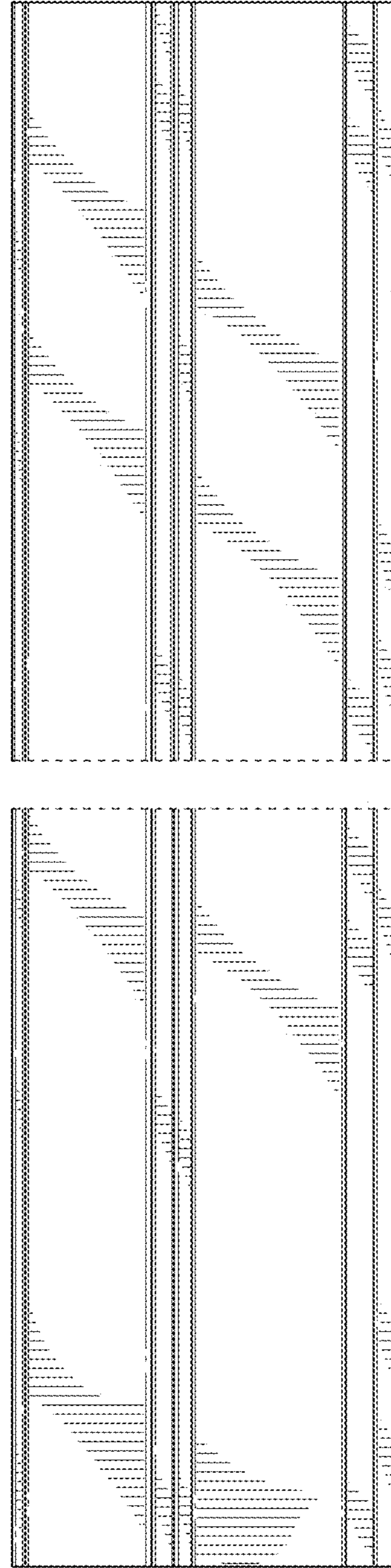


FIG. 4

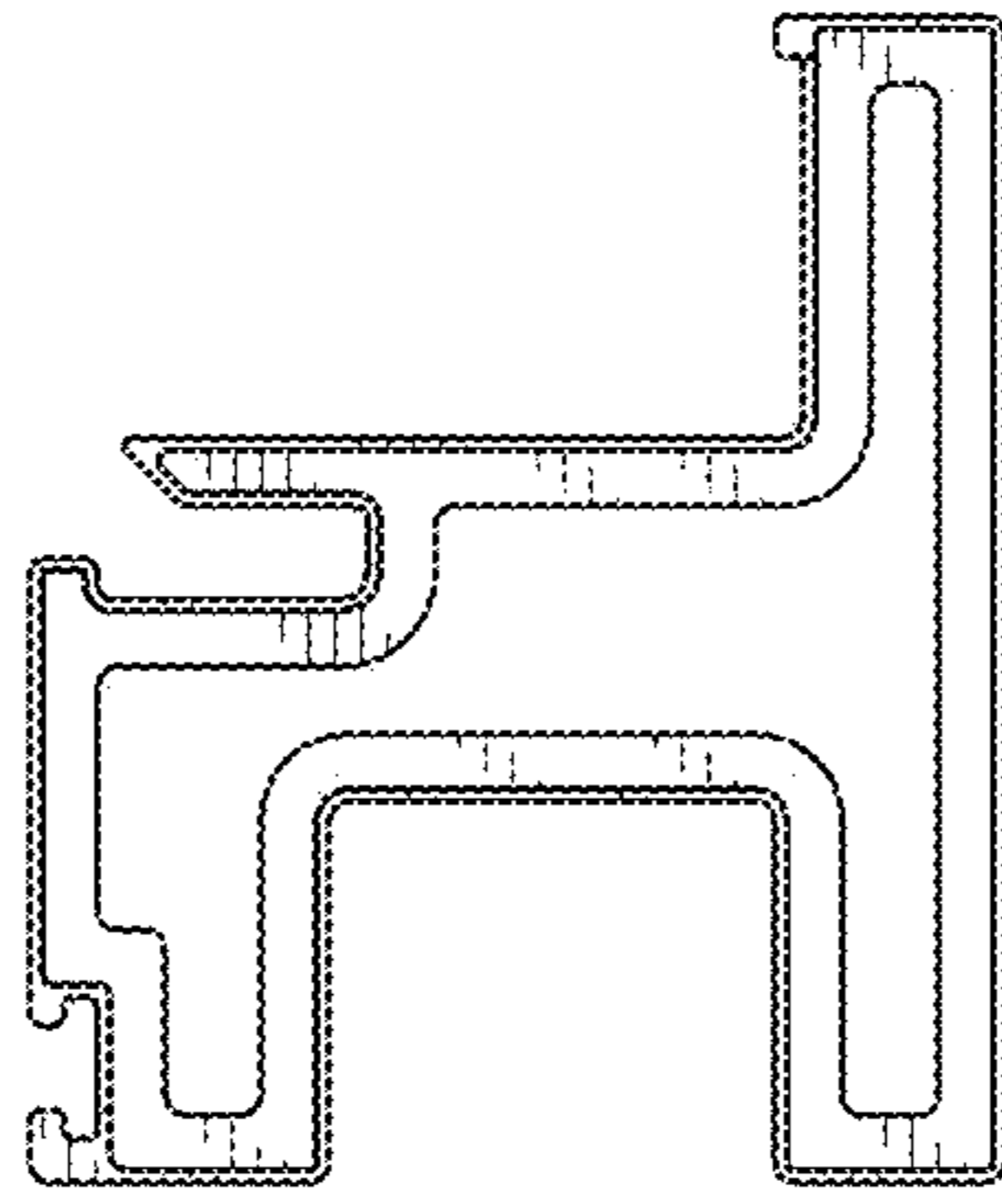


FIG. 5

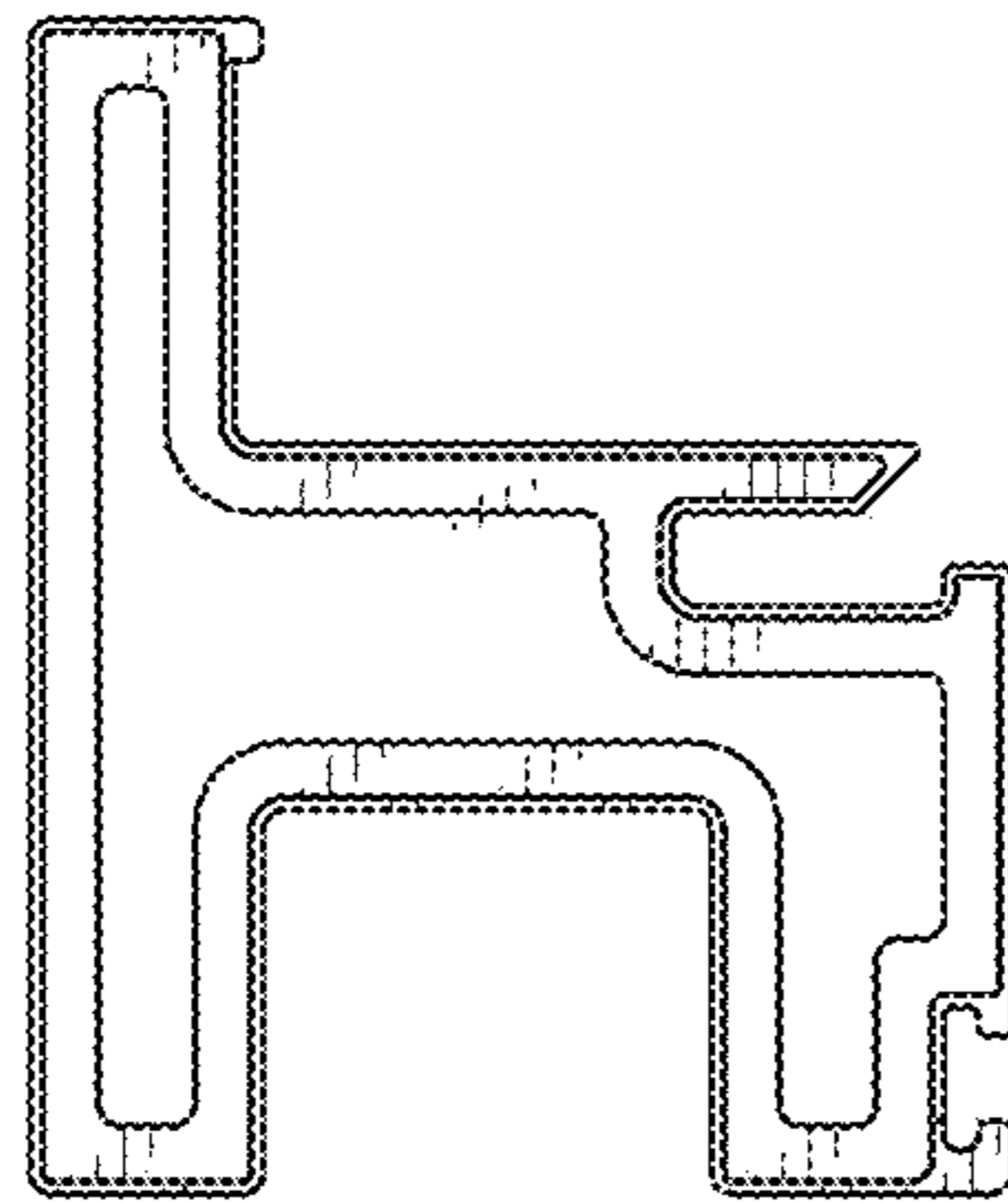


FIG. 6

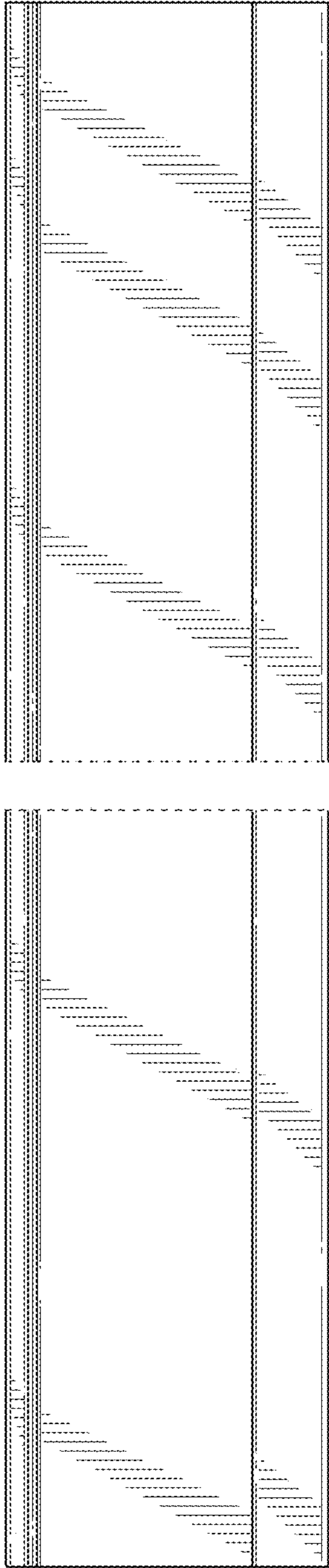


FIG. 7

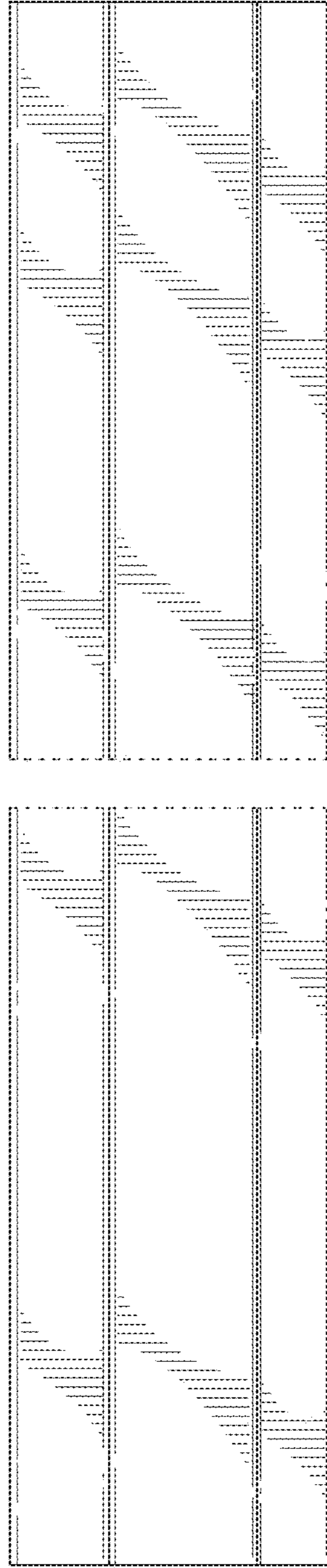


FIG. 8