



US00D917726S

(12) **United States Design Patent**  
Nelson et al.

(10) **Patent No.:** US D917,726 S  
(45) **Date of Patent:** \*\* Apr. 27, 2021

(54) **WINDOW COMPONENT EXTRUSION**

(71) Applicant: **JELD-WEN, Inc.**, Charlotte, NC (US)

(72) Inventors: **Jacob Nelson**, Klamath Falls, OR (US);  
**Yoshua Gombo**, Seattle, WA (US);  
**David Belau**, Klamath Falls, OR (US);  
**Ryan Schroeder**, Klamath Falls, OR  
(US); **Jerry Jones**, Klamath Falls, OR  
(US)

(73) Assignee: **JELD-WEN, Inc.**, Charlotte, NC (US)

(\*\*) Term: **15 Years**

(21) Appl. No.: **29/710,176**

(22) Filed: **Oct. 21, 2019**

(51) **LOC (13) Cl.** ..... **25-01**

(52) **U.S. Cl.**  
USPC ..... **D25/124**

(58) **Field of Classification Search**  
USPC ..... D25/35, 102, 119-125, 164; D8/354,  
D8/373, 374, 376, 377  
CPC ..... E06B 1/02; E06B 1/04; E06B 1/12; E06B  
1/14; E06B 1/16; E06B 1/26; E06B 1/28;  
E06B 1/36; E06B 1/363; E06B 1/366;  
E06B 1/38; E06B 1/40; E06B 1/52; E06B  
1/524; E06B 1/56; E06B 1/62; E06B  
1/68; E06B 3/04; E06B 3/06; E06B 3/24;  
E06B 3/26; E06B 3/30; E06B 3/301;  
E06B 3/306; E06B 3/308  
See application file for complete search history.

(56) **References Cited**

**U.S. PATENT DOCUMENTS**

D333,876 S \* 3/1993 Cole ..... D25/124  
D334,241 S \* 3/1993 Cole ..... D25/124  
D338,723 S \* 8/1993 Cole ..... D25/124  
D338,973 S \* 8/1993 Cole ..... D25/124

D338,974 S \* 8/1993 Cole ..... D25/124  
D357,079 S \* 4/1995 Franson ..... D25/124  
D358,663 S \* 5/1995 Hosseini ..... D25/124  
D360,266 S \* 7/1995 DiGiorgio ..... D25/124  
D362,731 S \* 9/1995 Schrader ..... D25/124  
D362,732 S \* 9/1995 Franson ..... D25/124  
D372,109 S \* 7/1996 Oliver ..... D25/124  
D378,431 S \* 3/1997 Dallaire ..... D25/124  
D379,529 S \* 5/1997 DiGiorgio ..... D25/124  
D380,562 S \* 7/1997 Colitto ..... D25/124  
D384,170 S \* 9/1997 Franson ..... D25/124  
D431,083 S \* 9/2000 Franson ..... D25/124  
D450,134 S \* 11/2001 Roberts ..... D25/124  
D450,392 S \* 11/2001 Roberts ..... D25/124  
D450,393 S \* 11/2001 Roberts ..... D25/124  
D468,029 S \* 12/2002 Salas ..... D25/124  
D470,950 S \* 2/2003 Roberts ..... D25/124  
D546,977 S \* 7/2007 Ye ..... D25/124

(Continued)

*Primary Examiner* — Llorellys Martinez

(74) *Attorney, Agent, or Firm* — Stoel Rives LLP

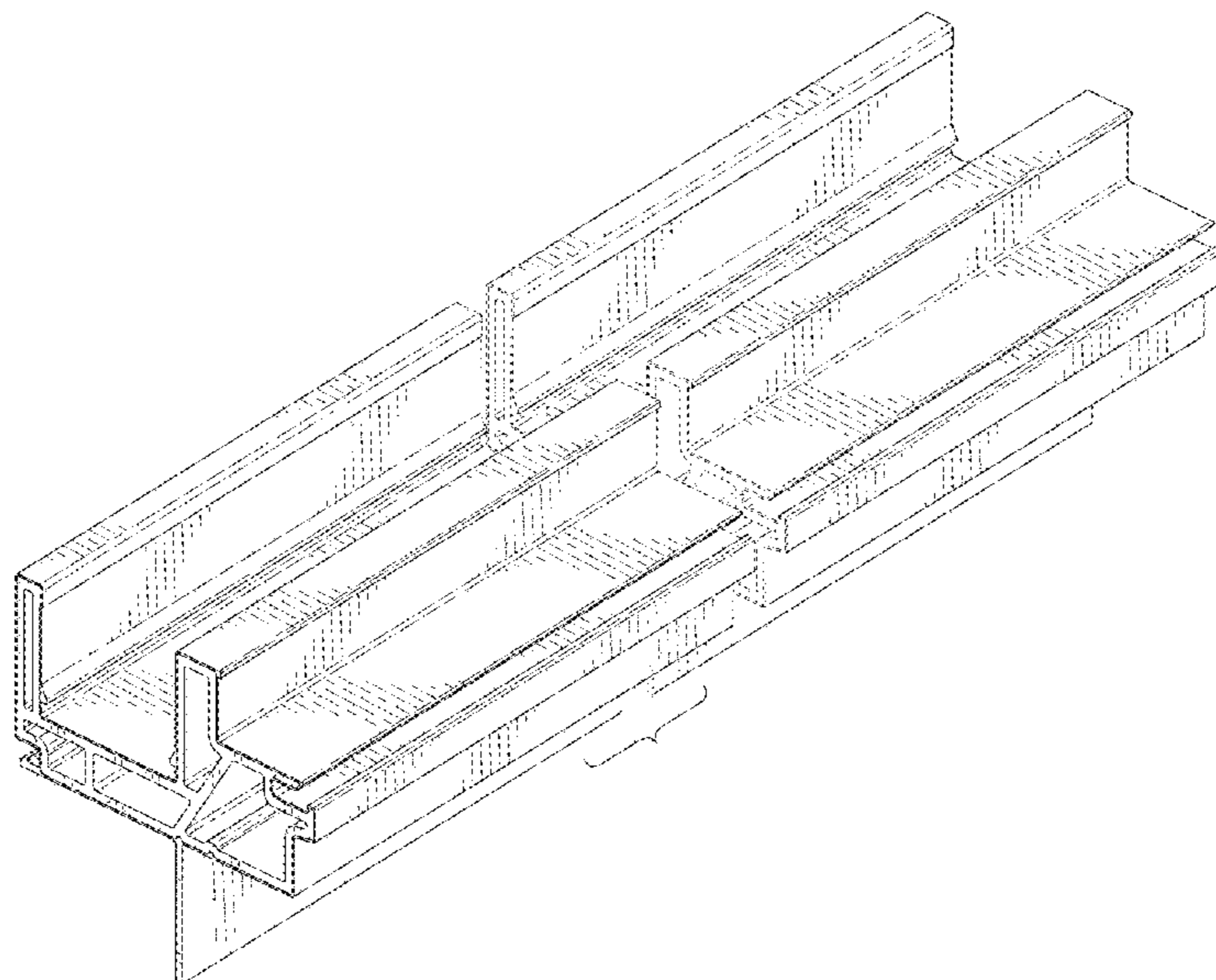
(57) **CLAIM**

The ornamental design for a window component extrusion,  
as shown and described.

**DESCRIPTION**

FIG. 1 is a front perspective view of a window component  
extrusion showing our new design.  
FIG. 2 is a rear perspective view thereof.  
FIG. 3 is a front elevation view thereof.  
FIG. 4 is a rear elevation view thereof.  
FIG. 5 is a left side elevation view thereof.  
FIG. 6 is a right side elevation view thereof.  
FIG. 7 is a top plan view thereof; and,  
FIG. 8 is a bottom plan view thereof.  
In FIGS. 1-4, 7, and 8, the window component extrusion is  
shown with a symbolic break in its length. The appearance  
of any portion of the window component extrusion between  
the break lines forms no part of the claimed design.

**1 Claim, 7 Drawing Sheets**



(56)

**References Cited**

U.S. PATENT DOCUMENTS

D602,174 S *	10/2009	Franson .....	D25/124
D615,666 S *	5/2010	Stephens .....	D25/124
D693,490 S *	11/2013	Wickland .....	D25/124
D732,203 S *	6/2015	Campbell .....	D25/124
D735,894 S *	8/2015	Campbell .....	D25/124
D855,219 S *	7/2019	Kosonen .....	D25/124
D872,890 S *	1/2020	Hawthorne .....	D25/124
2011/0154753 A1 *	6/2011	Furgerson .....	E06B 1/68
			52/204.1
2017/0240738 A1 *	8/2017	Ehrlichmann .....	E06B 3/30
2020/0109593 A1 *	4/2020	Kunkel .....	E06B 3/06

\* cited by examiner

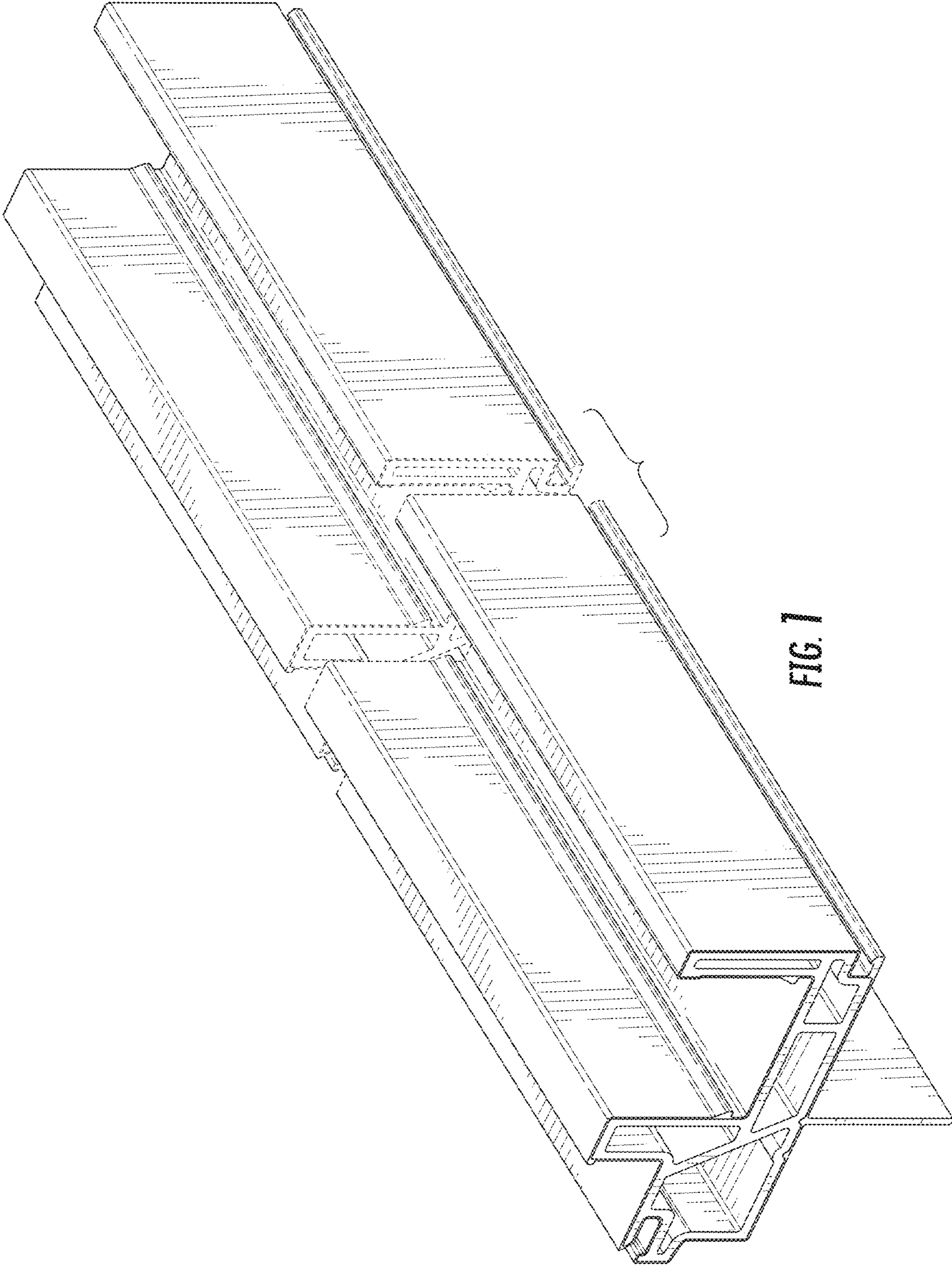


FIG. 1

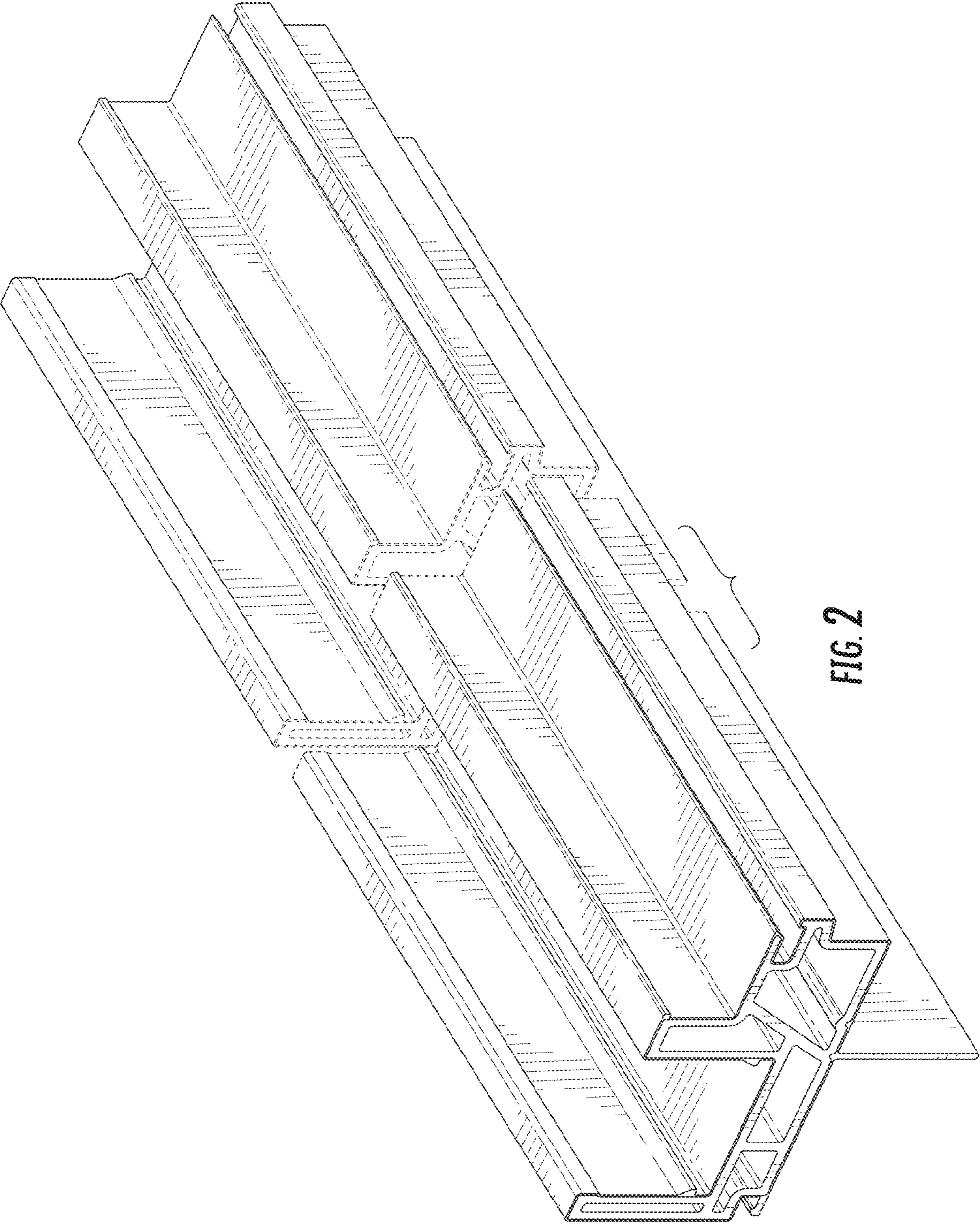


FIG. 2

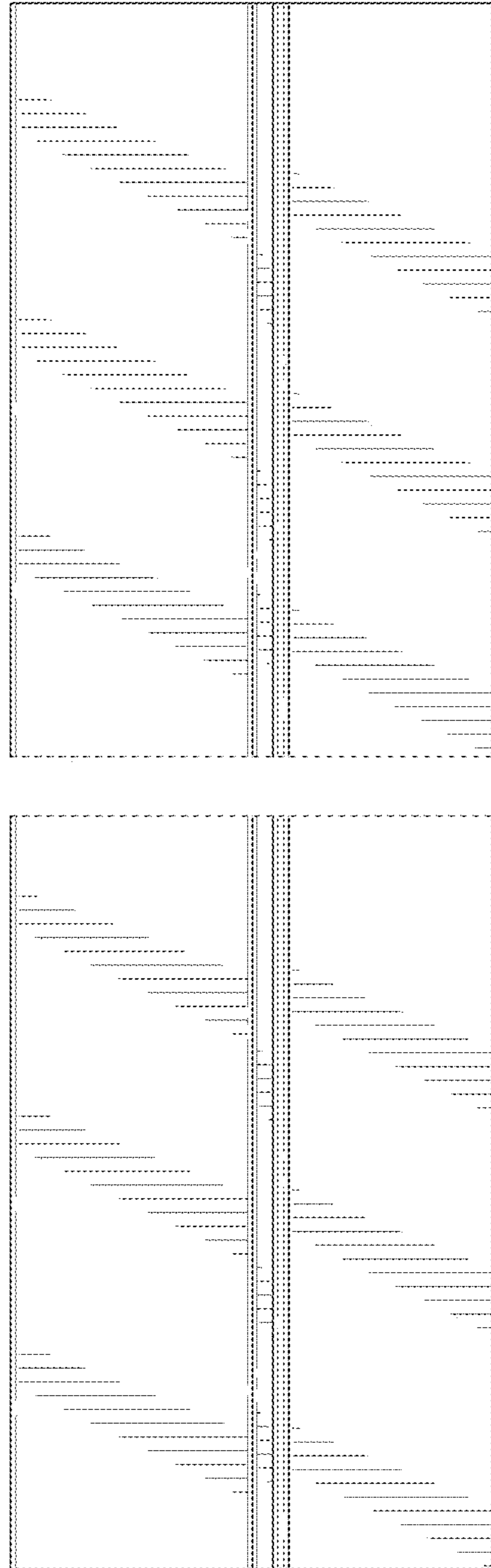


FIG. 3

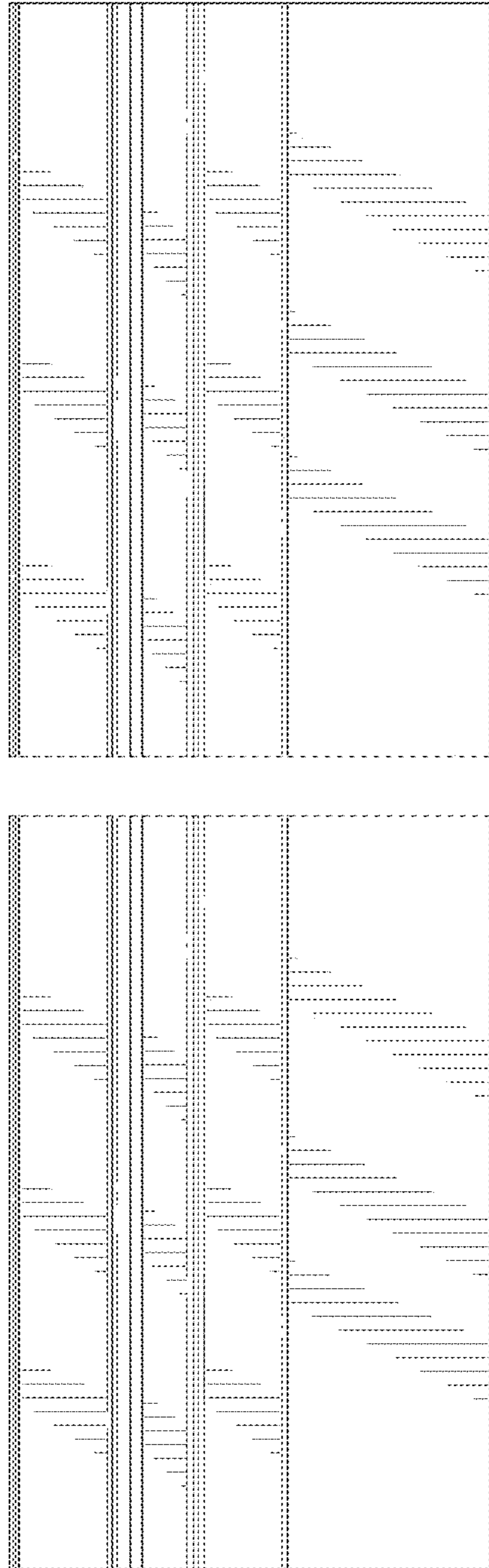
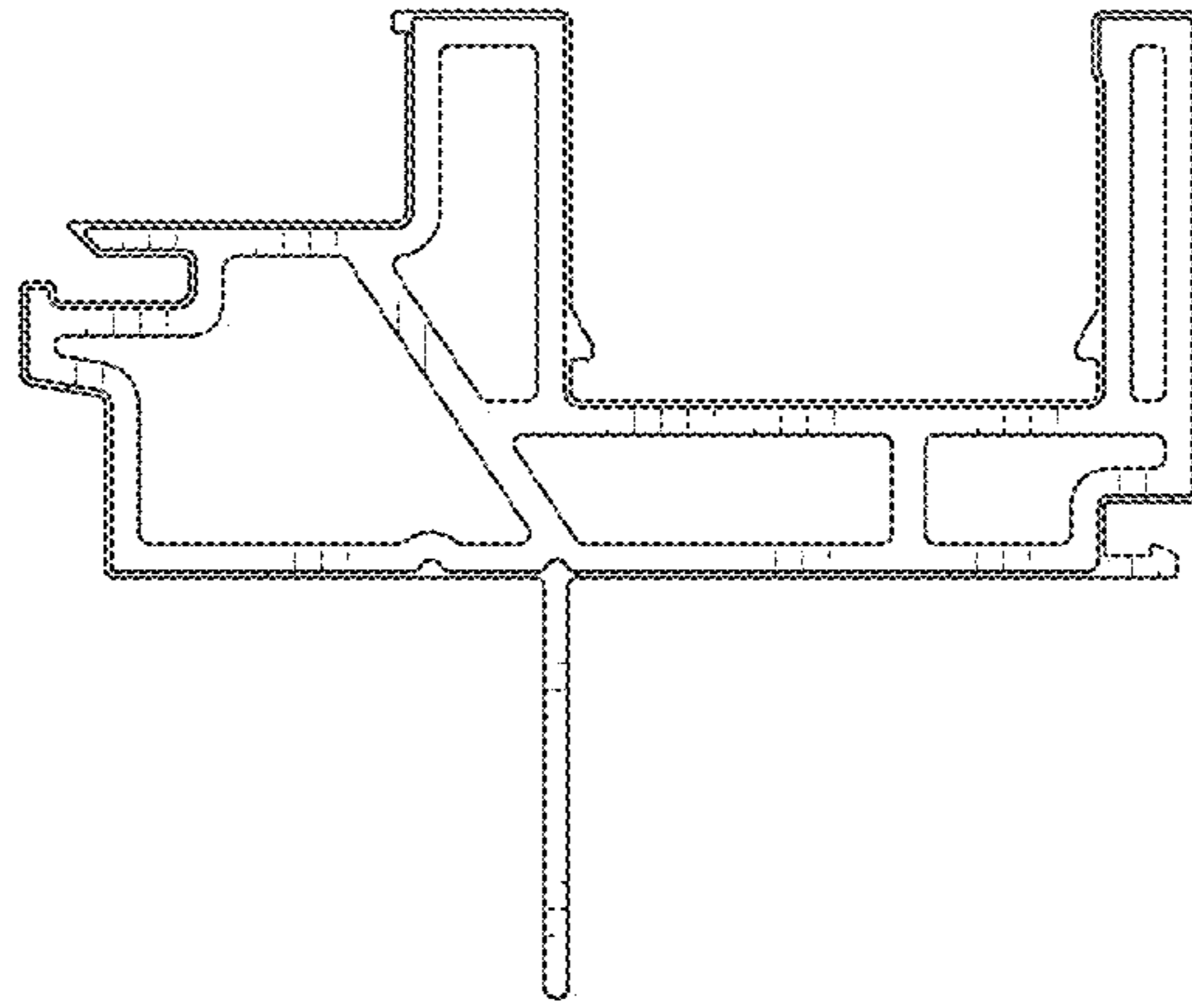
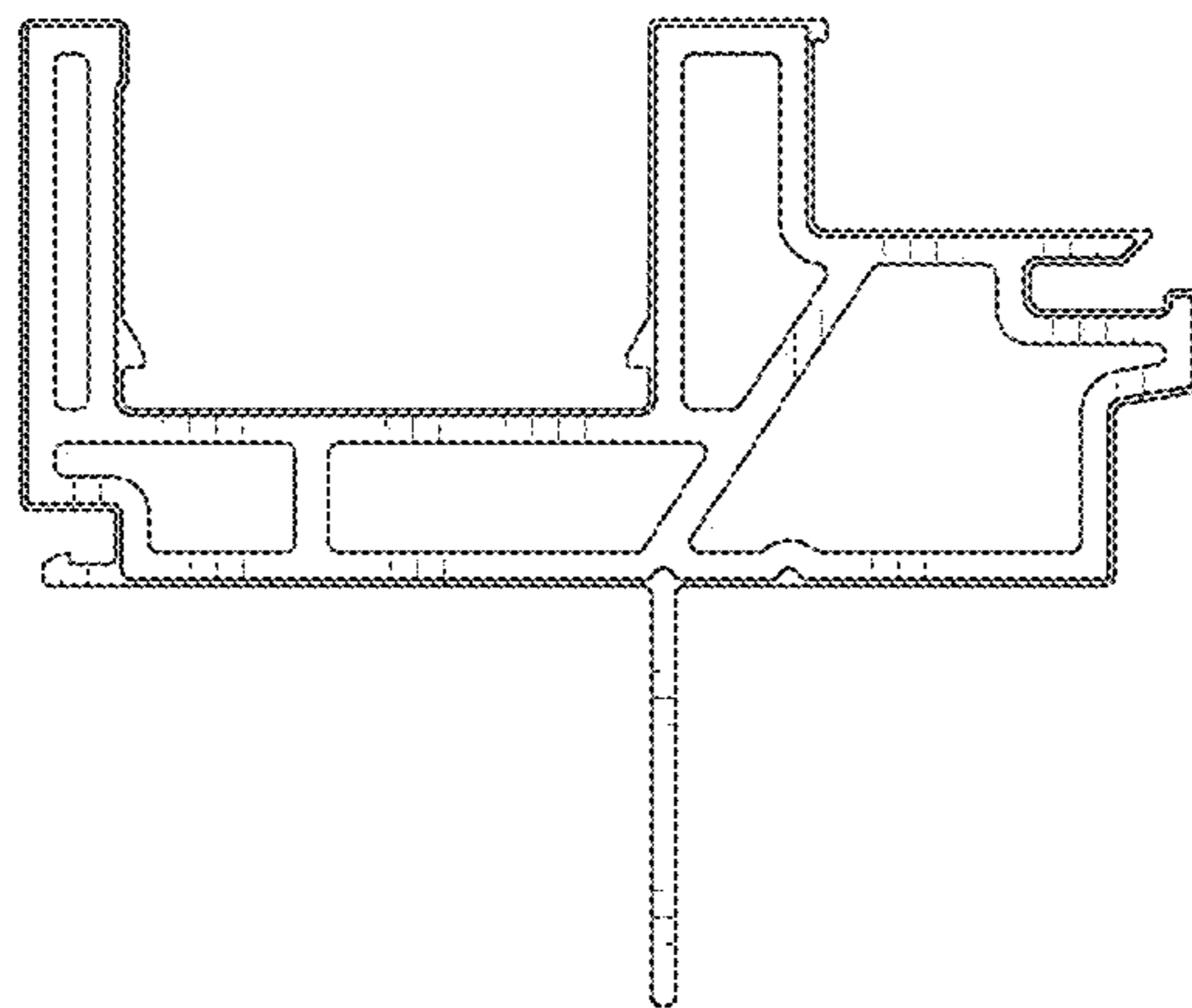


FIG. 4



**FIG. 5**



**FIG. 6**

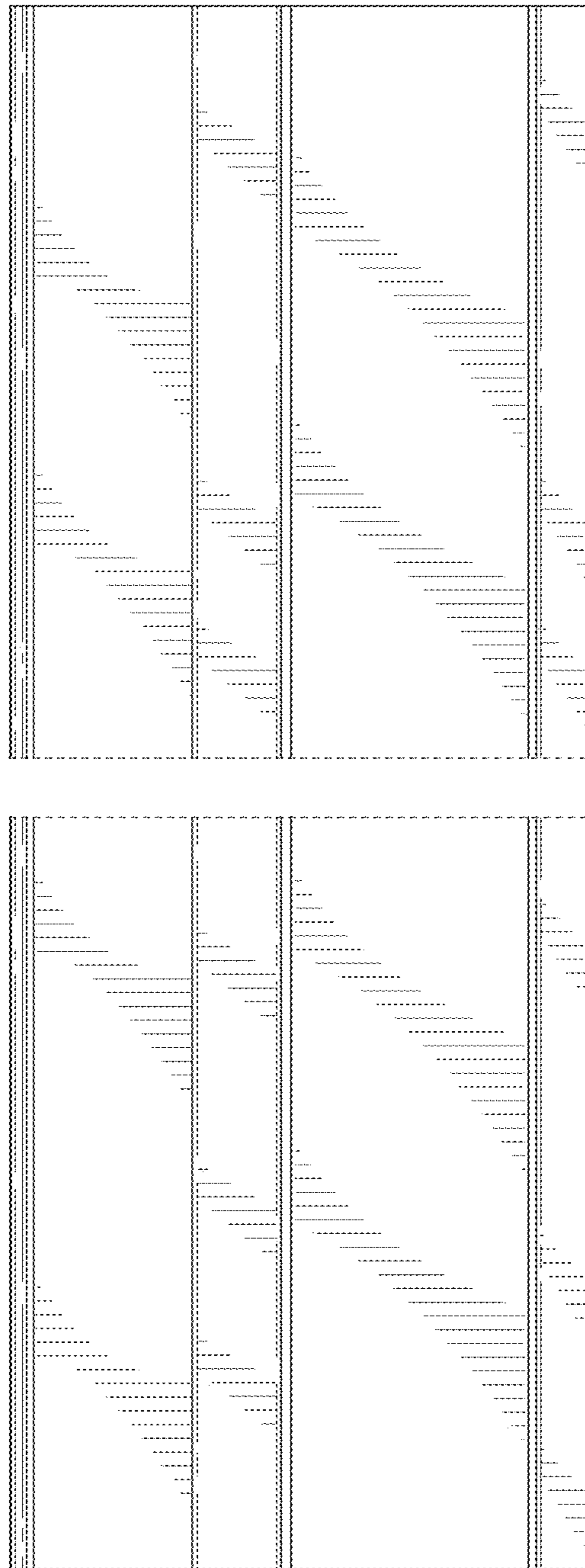


FIG. 7



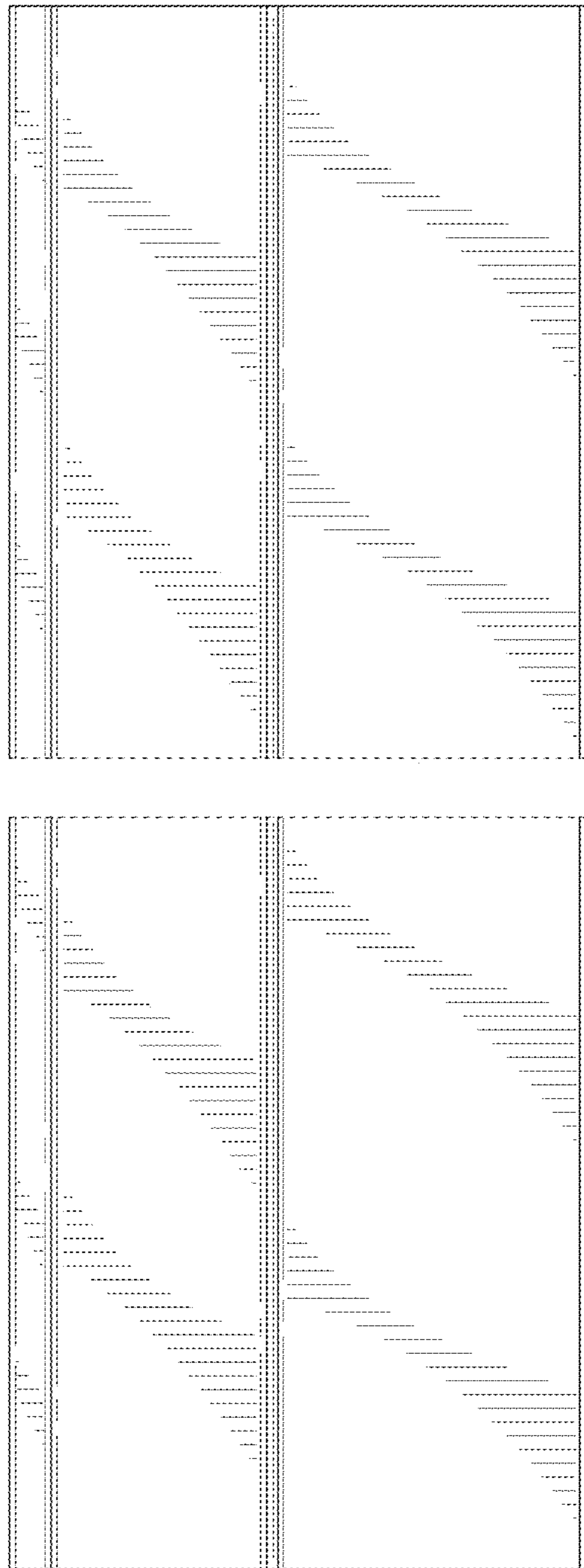


FIG. 8