



US00D917725S

(12) **United States Design Patent** (10) **Patent No.:** **US D917,725 S**
McWilliams (45) **Date of Patent:** **** Apr. 27, 2021**

(54) **LADDER STEP SHIN PAD**

D728,128 S * 4/2015 Haney D25/68

(71) Applicant: **Zebuliagh Cain McWilliams**, Navarre, FL (US)

* cited by examiner

(72) Inventor: **Zebuliagh Cain McWilliams**, Navarre, FL (US)

Primary Examiner — Gino Colan

(74) *Attorney, Agent, or Firm* — The Rapacke Law Group, P.A.

(**) Term: **15 Years**

(57) **CLAIM**

(21) Appl. No.: **29/719,755**

The ornamental design for a ladder step shin pad, as shown and described.

(22) Filed: **Jan. 7, 2020**

DESCRIPTION

(51) **LOC (13) Cl.** **25-04**

(52) **U.S. Cl.**
USPC **D25/68**

(58) **Field of Classification Search**
USPC D25/62–65, 68, 69, 119–125; 182/194, 182/106, 129, 230
CPC E06C 7/00; E06C 7/48
See application file for complete search history.

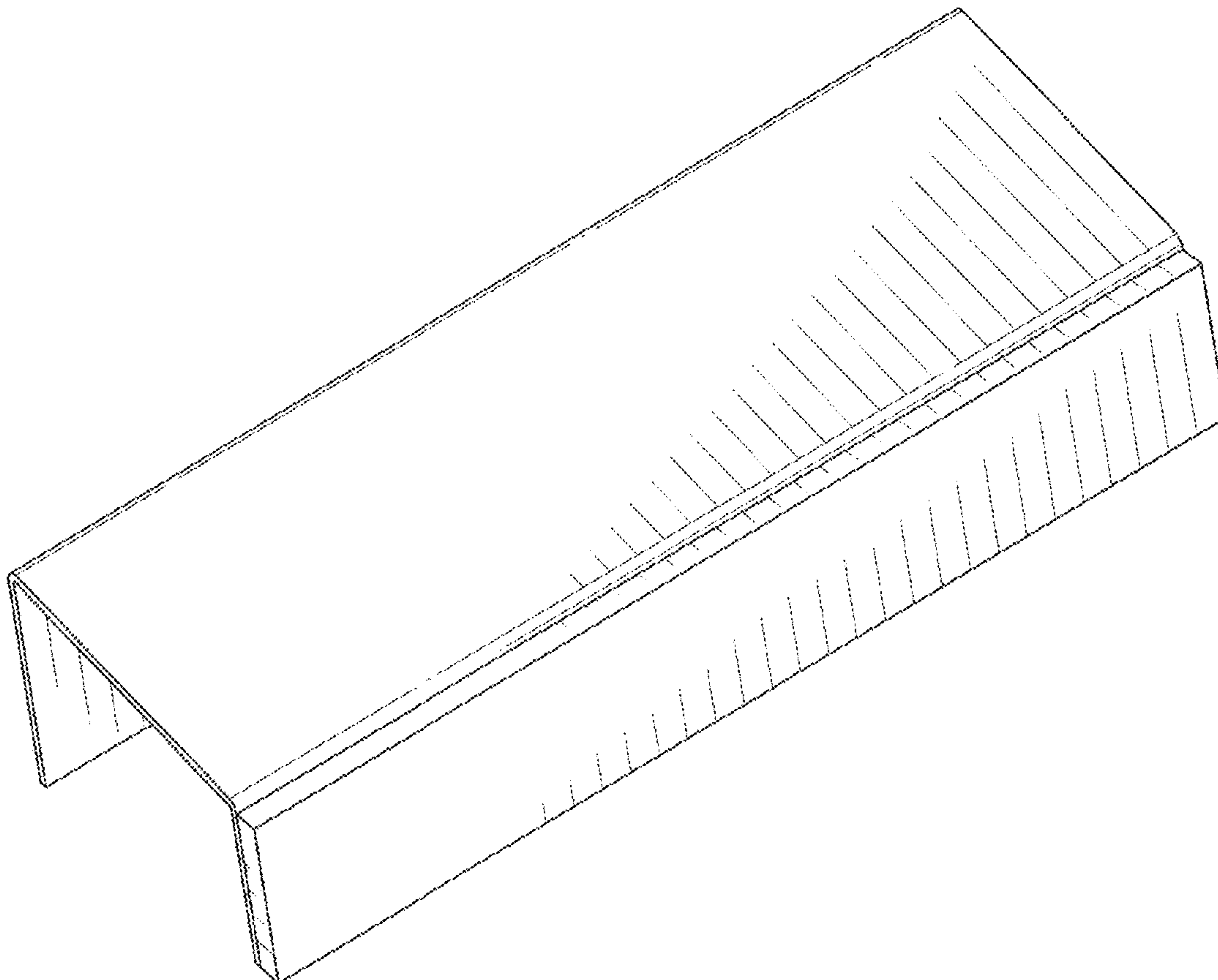
FIG. 1 is a perspective view of the ladder step shin pad, showing the new design;
FIG. 2 is a front elevational view of the ladder step shin pad thereof;
FIG. 3 is a rear elevational view of the ladder step shin pad thereof;
FIG. 4 is a left side elevational view of the ladder step shin pad thereof;
FIG. 5 is a right side elevational view of the ladder step shin pad thereof;
FIG. 6 is a top plan view of the ladder step shin pad thereof; and,
FIG. 7 is a bottom plan view of the ladder step shin pad thereof.

(56) **References Cited**

U.S. PATENT DOCUMENTS

2,518,107 A * 8/1950 Wilson E06C 7/08
182/194
D372,989 S * 8/1996 Gile D25/68
6,994,185 B1 * 2/2006 Hertel E06C 7/00
182/129

1 Claim, 5 Drawing Sheets



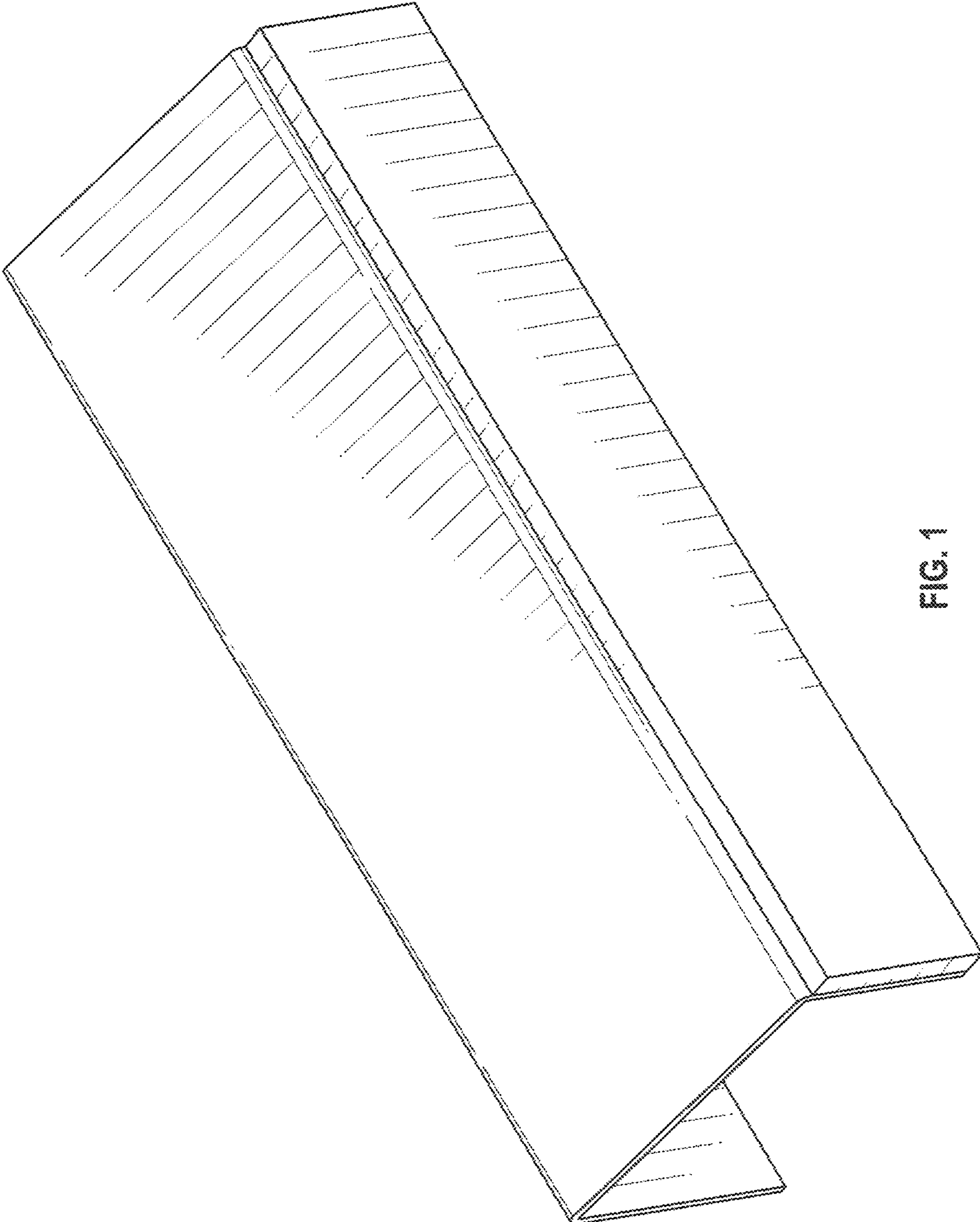


FIG. 1

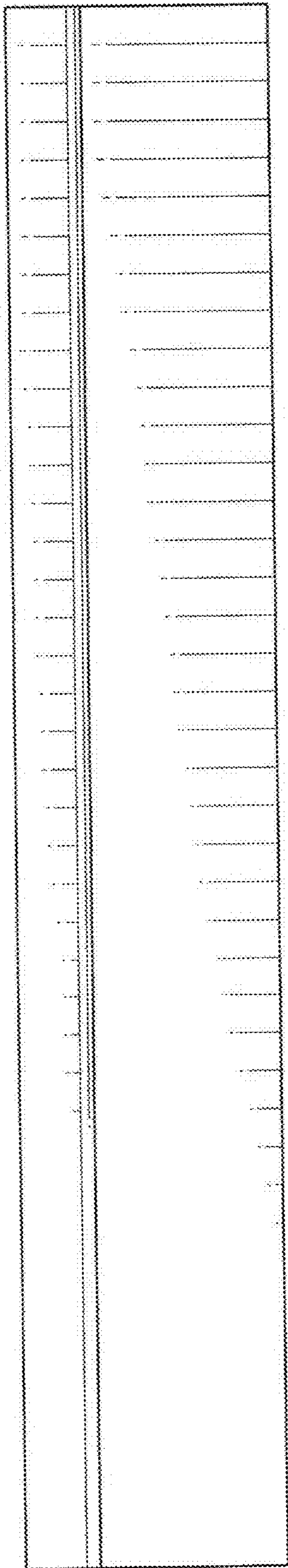


FIG. 2

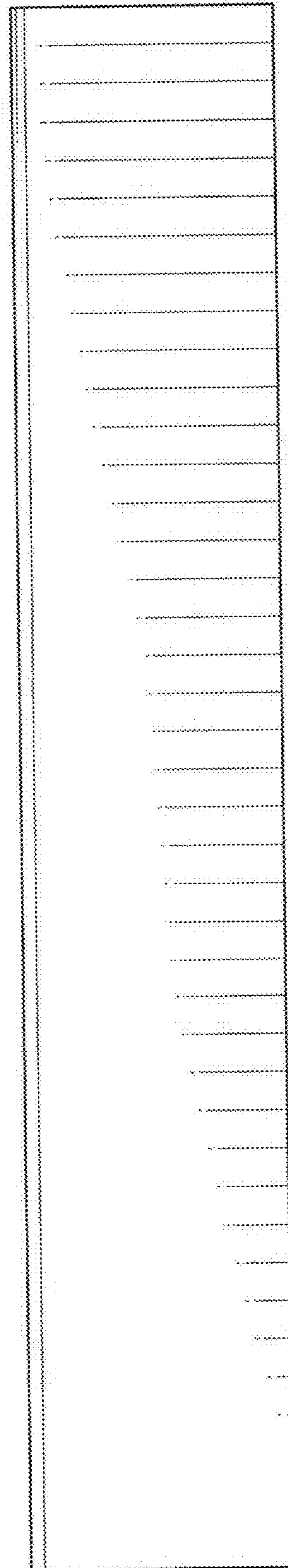


FIG. 3

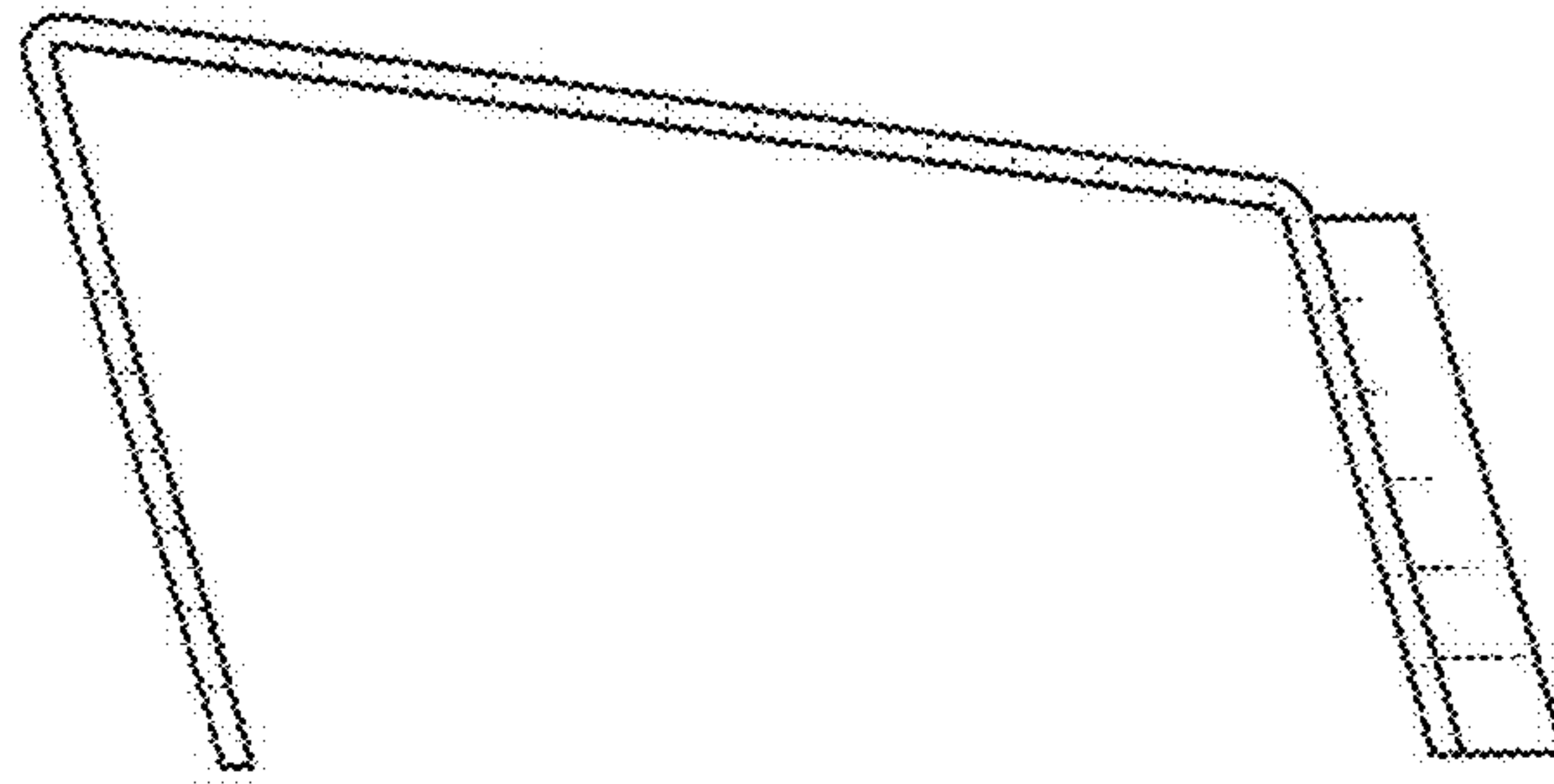


FIG. 4

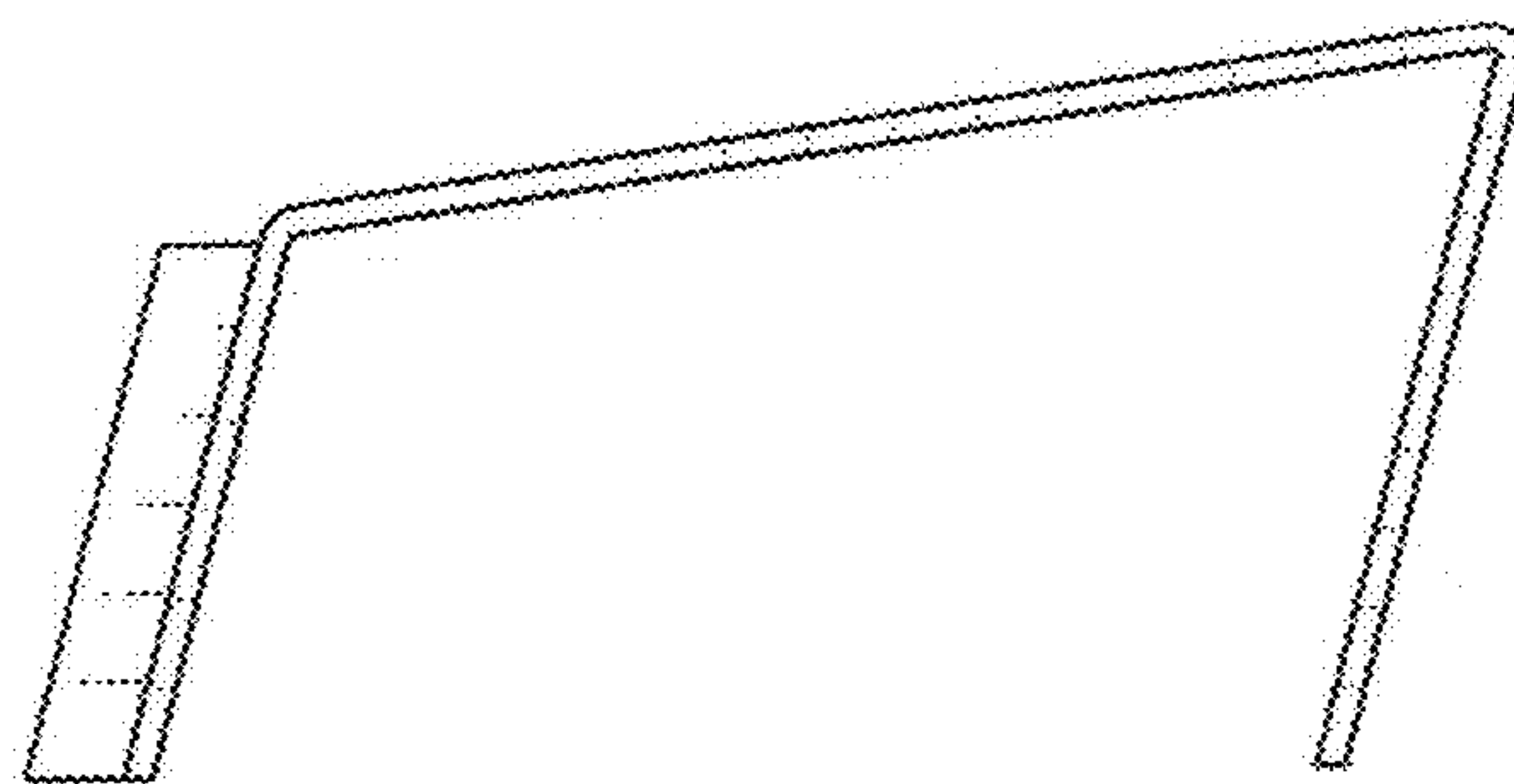


FIG. 5

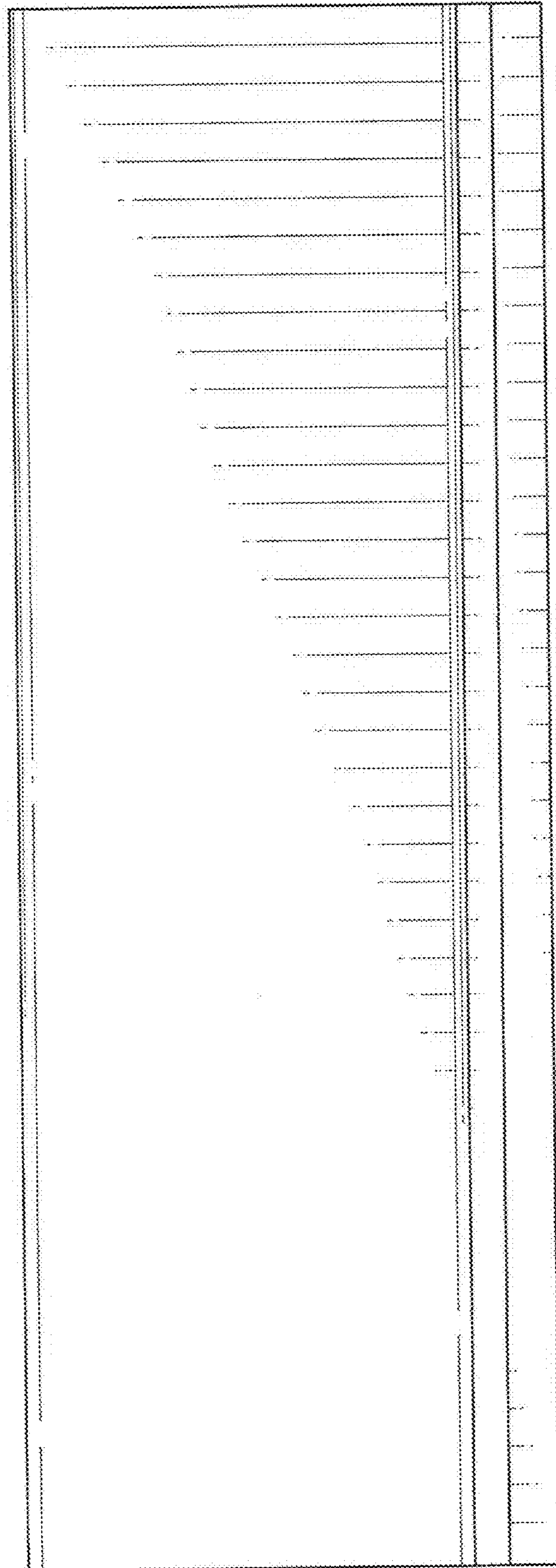


FIG. 6

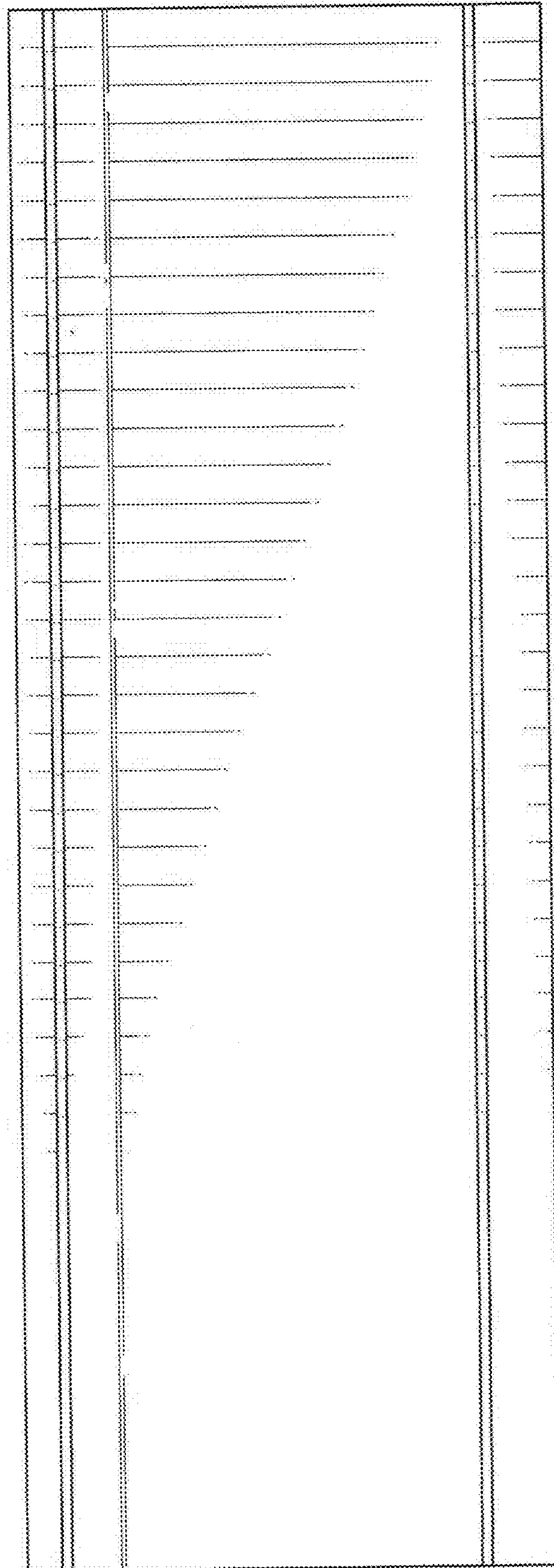


FIG. 7