



US00D917724S

(12) **United States Design Patent** (10) **Patent No.:** **US D917,724 S**
Melton et al. (45) **Date of Patent:** **** Apr. 27, 2021**

(54) **J LOCK**

(71) Applicants: **Michael T. Melton**, Glen Ellyn, IL (US); **Thomas Murray**, Philadelphia, PA (US); **Thomas J. Dooley**, Media, PA (US); **Daniel Massam**, Langhorne, PA (US); **Ryan W. Duever**, Sycamore, IL (US)

(72) Inventors: **Michael T. Melton**, Glen Ellyn, IL (US); **Thomas Murray**, Philadelphia, PA (US); **Thomas J. Dooley**, Media, PA (US); **Daniel Massam**, Langhorne, PA (US); **Ryan W. Duever**, Sycamore, IL (US)

(73) Assignee: **Werner Co.**, Greenville, PA (US)

(**) Term: **15 Years**

(21) Appl. No.: **29/691,159**

(22) Filed: **May 14, 2019**

(51) **LOC (13) Cl.** **25-04**

(52) **U.S. Cl.**
USPC **D25/68**

(58) **Field of Classification Search**
USPC D25/62-65, 68, 69; 182/21, 108, 110, 182/204, 109, 107, 134, 221; 248/210, 248/226.11, 229.11, 37.6
CPC . E06C 7/44; E06C 7/488; E06C 7/143; E06C 1/36; E06C 7/50; E06C 7/46
See application file for complete search history.

(56) **References Cited**

U.S. PATENT DOCUMENTS

5,429,207	A *	7/1995	Frank	E06C 1/12 182/209
5,918,488	A *	7/1999	Deeter	B60R 9/0485 182/214
D506,270	S *	6/2005	Rieger	D25/68
D803,029	S *	11/2017	Hosler	D8/338
D813,417	S *	3/2018	Carrera	D25/68
10,669,776	B2 *	6/2020	Carrera	E06C 7/06

* cited by examiner

Primary Examiner — Gino Colan

(74) *Attorney, Agent, or Firm* — Ansel M. Schwartz

(57) **CLAIM**

The ornamental design for a J lock, as shown and described.

DESCRIPTION

FIG. 1 is a front perspective view of a J lock showing our new design as coupled to a ladder; the broken lines showing a ladder is for illustrative purposes only and form no part of the claimed design;

FIG. 2 is a left side elevational view thereof;

FIG. 3 is a front side elevational view thereof;

FIG. 4 is a right side elevational view thereof;

FIG. 5 is a back side elevational view thereof;

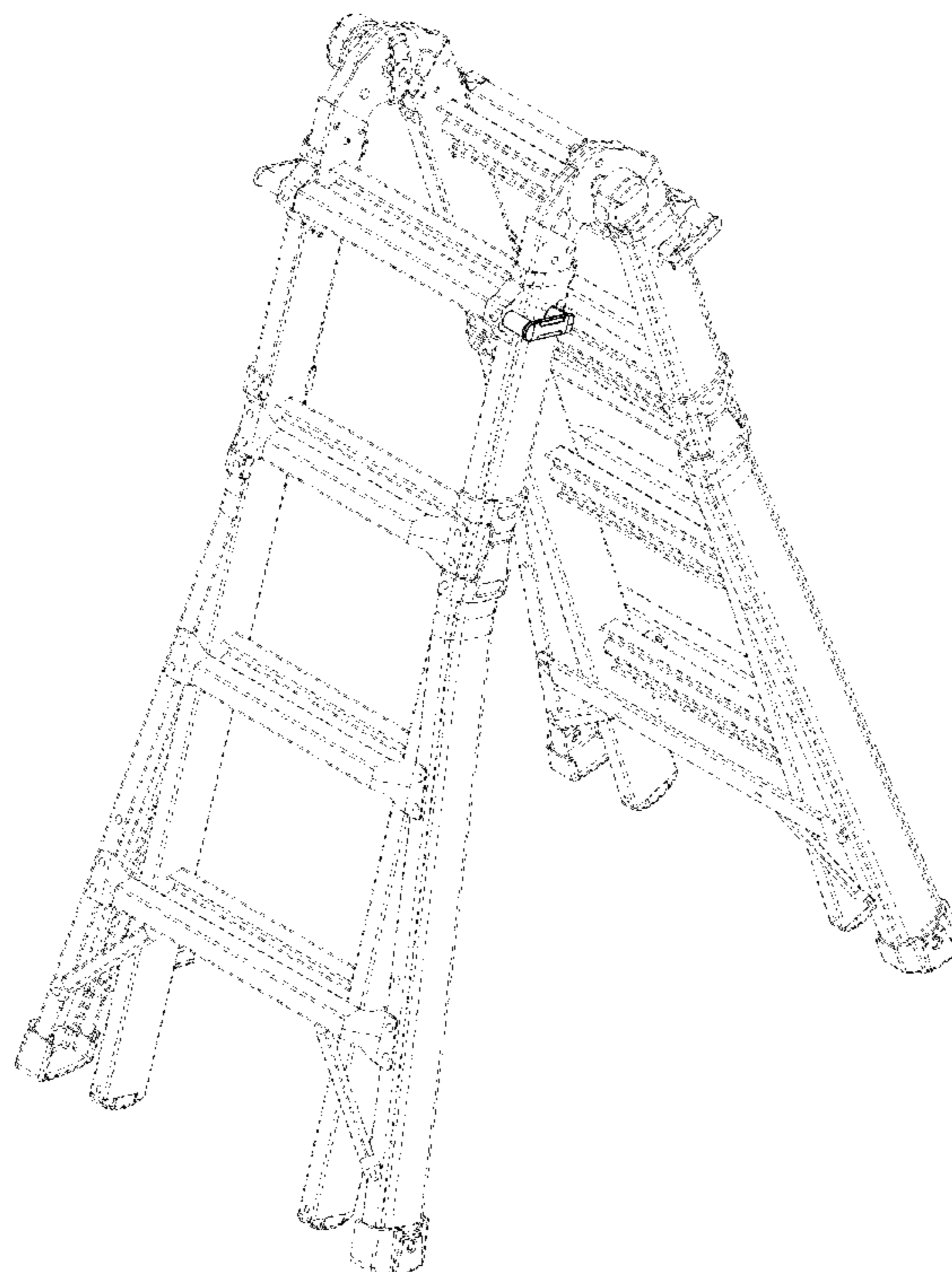
FIG. 6 is a top plan view thereof;

FIG. 7 is a bottom plan view thereof; and,

FIG. 8 is a perspective view thereof.

The broken lines shown in the figures are for the purpose of illustrating environment and form no part of the claimed design.

1 Claim, 5 Drawing Sheets



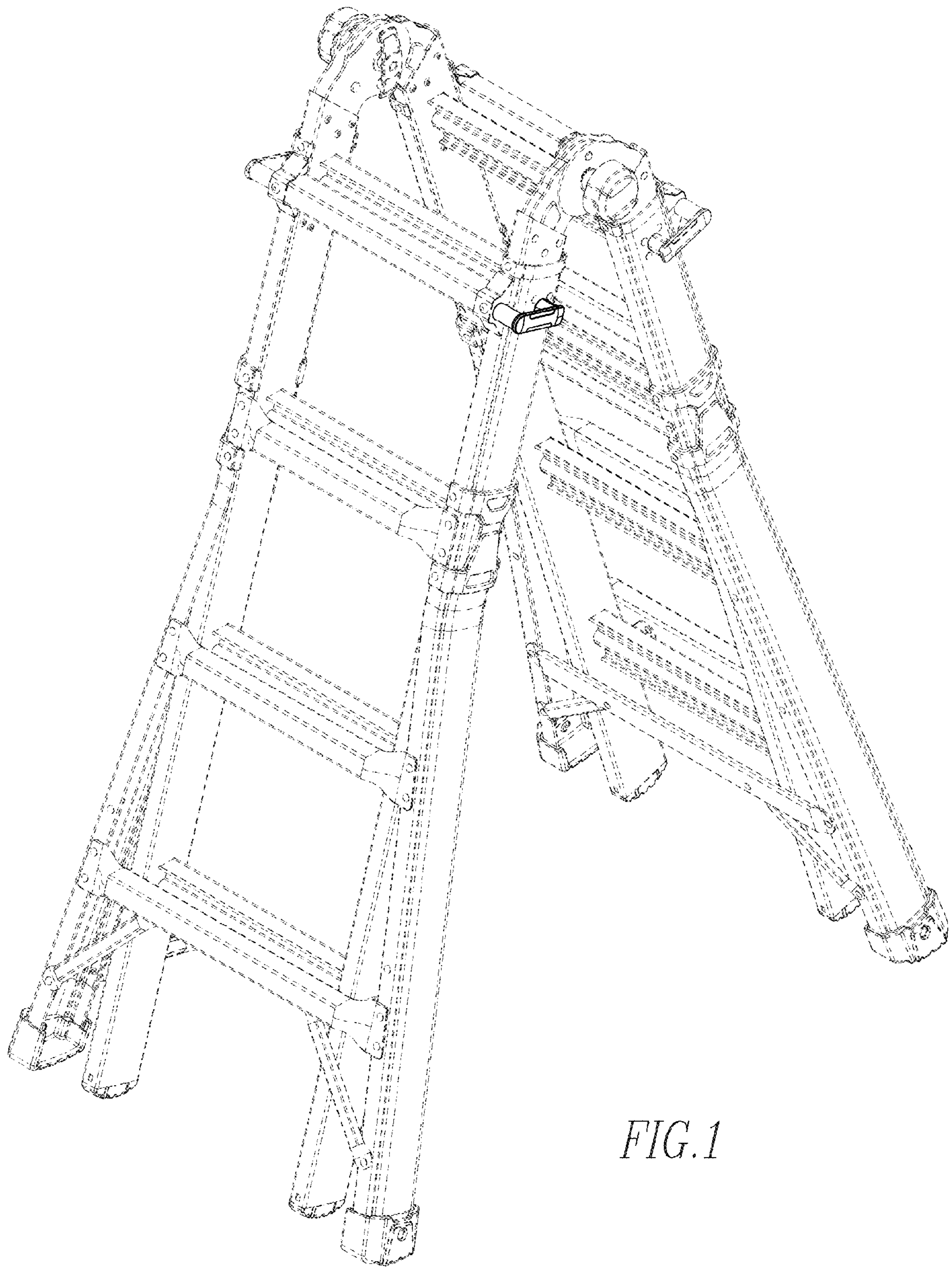


FIG. 1

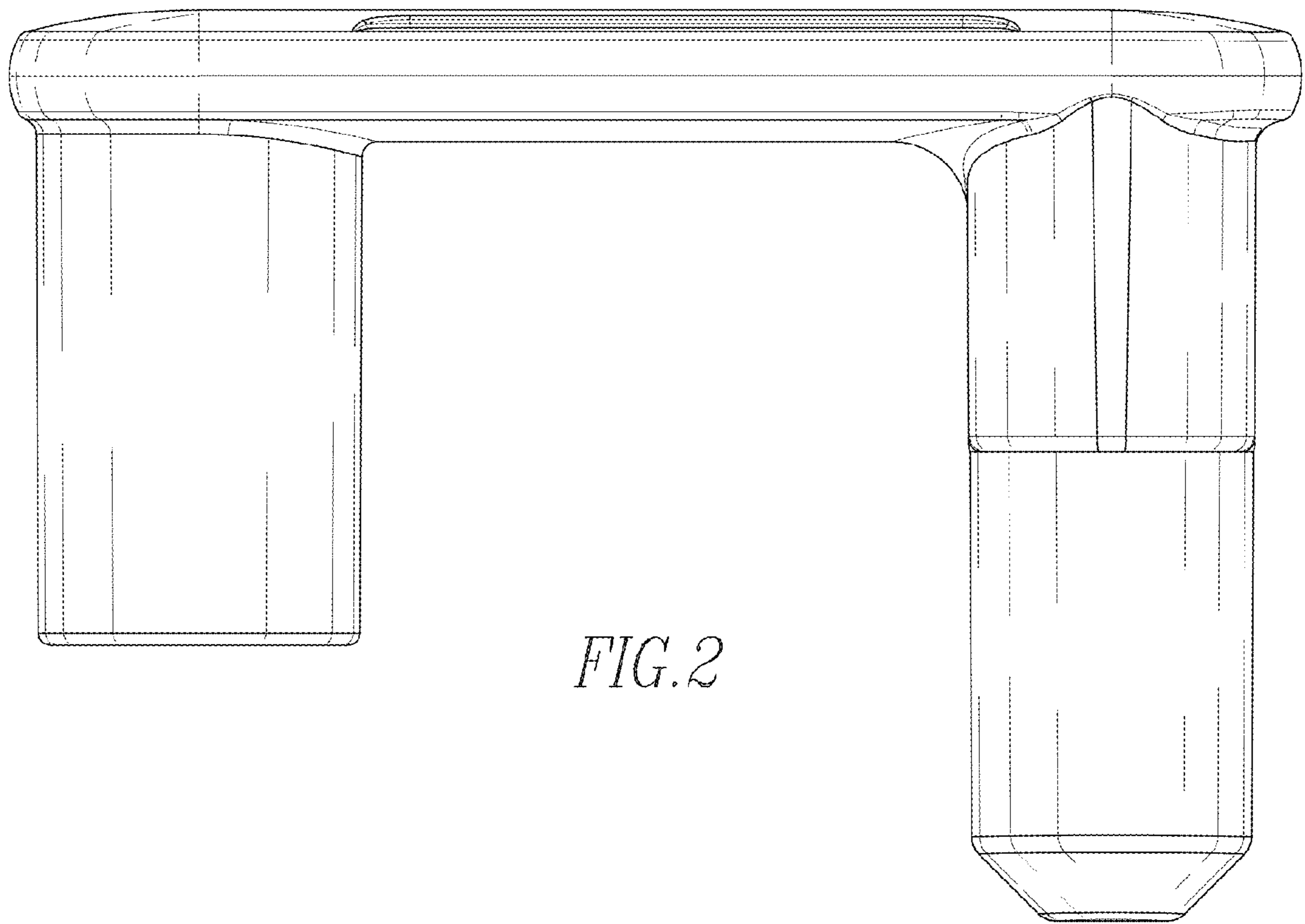


FIG. 2

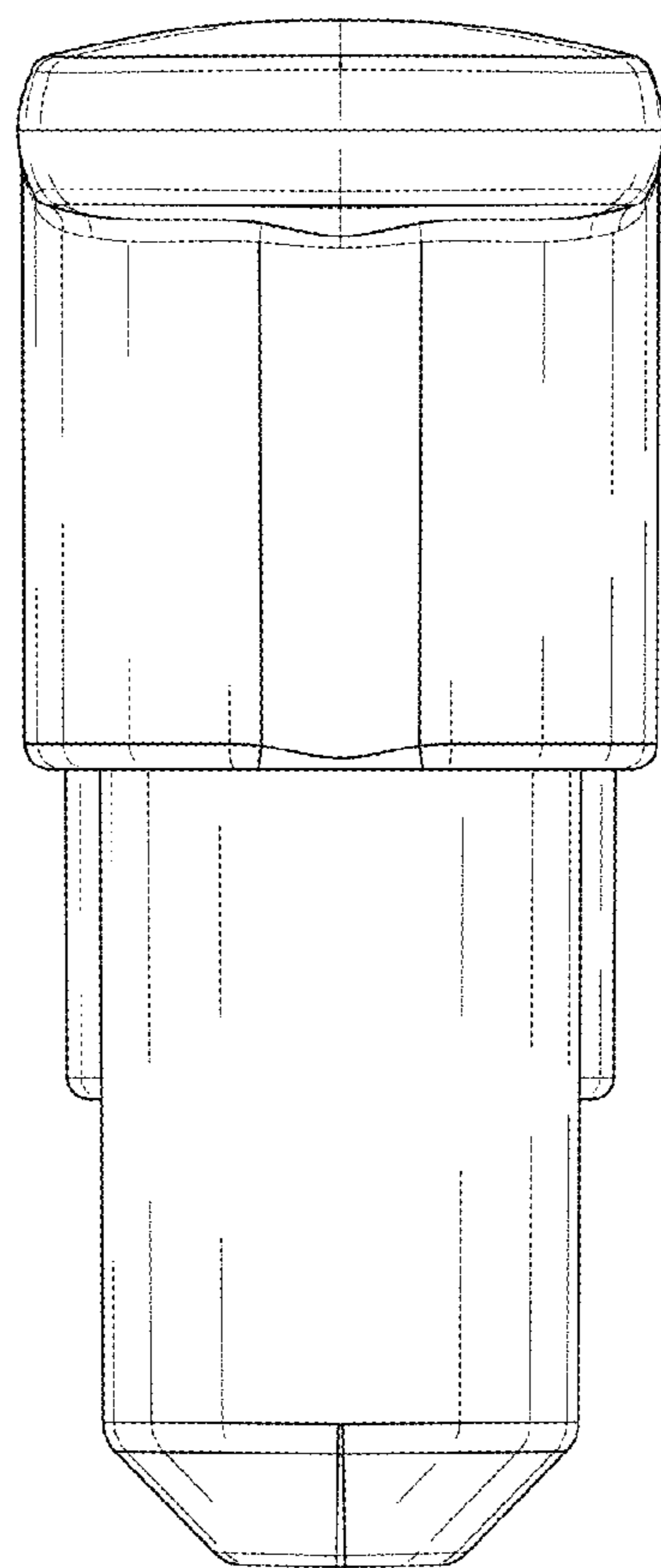


FIG. 3

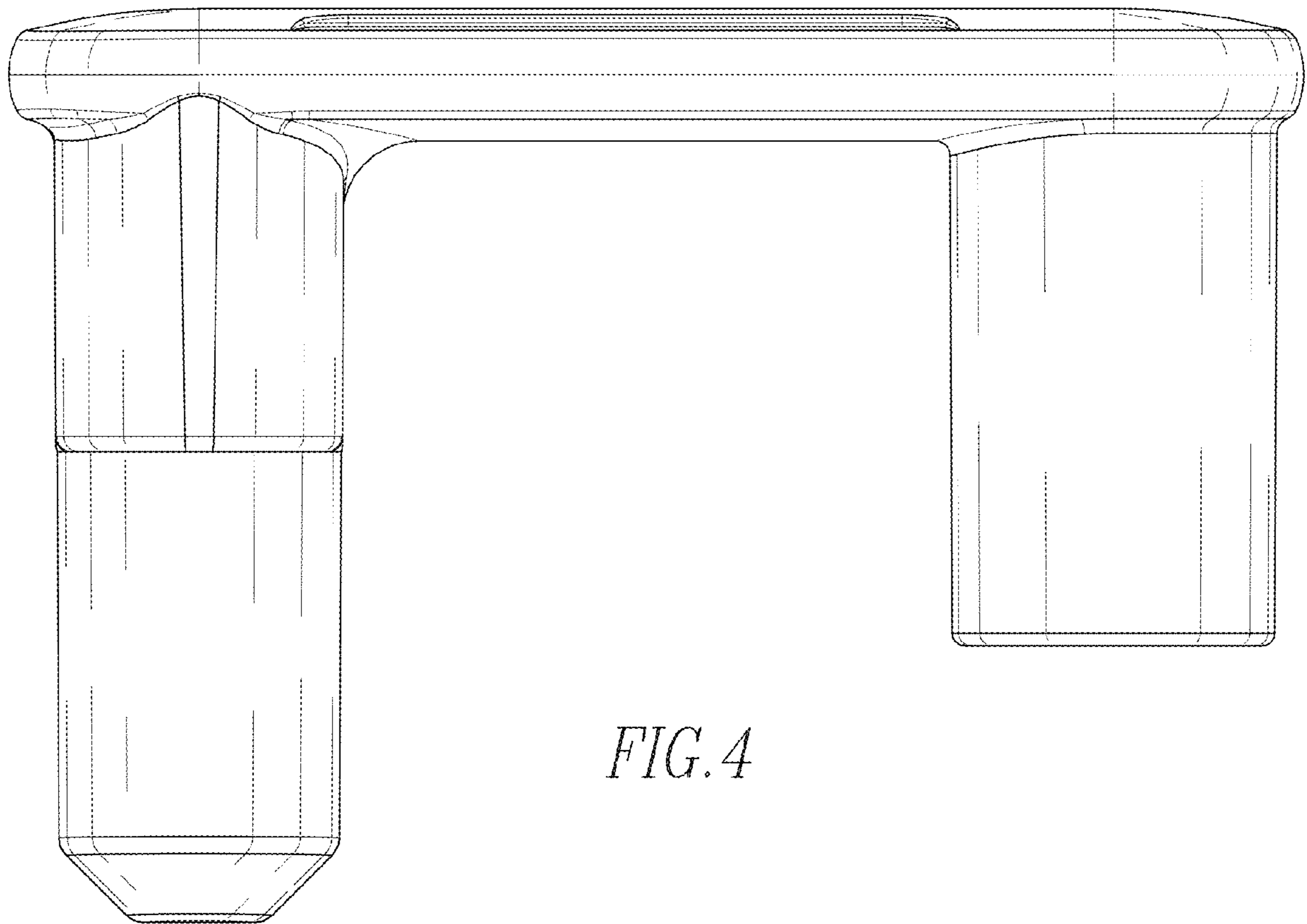


FIG. 4

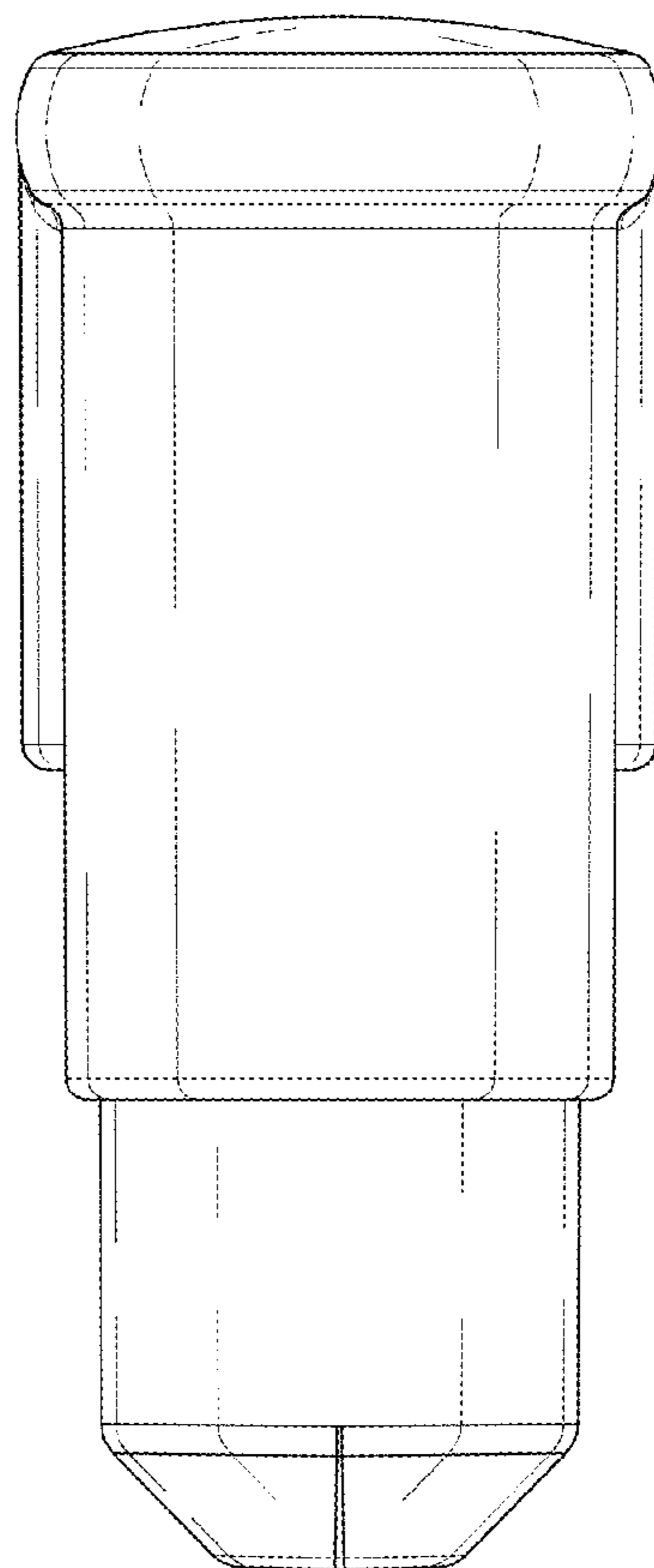


FIG. 5

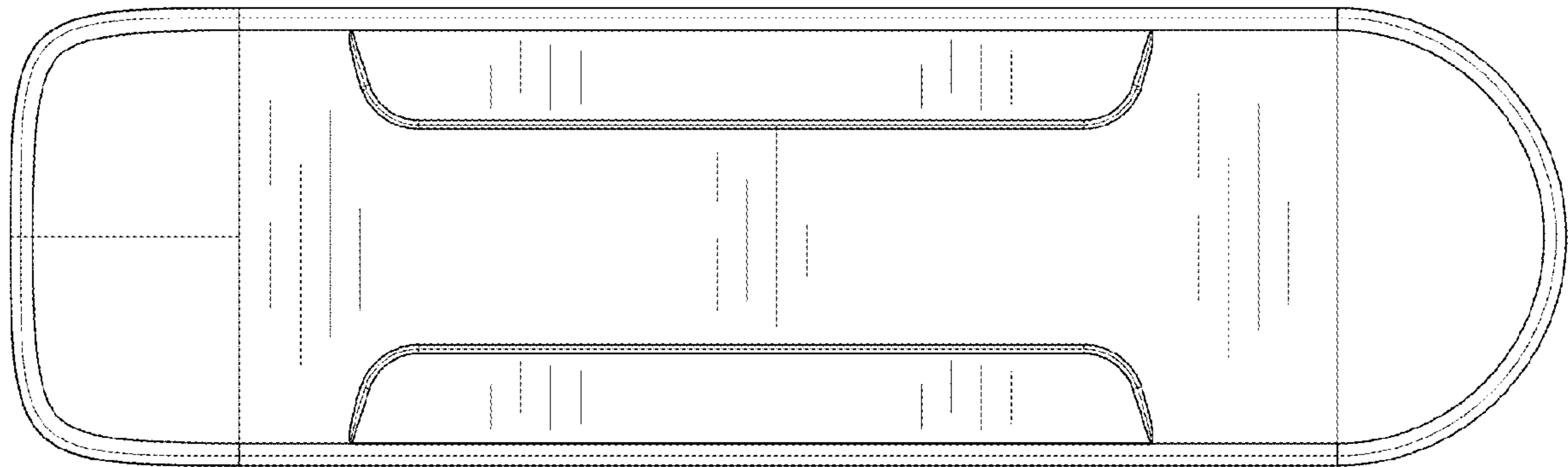


FIG. 6

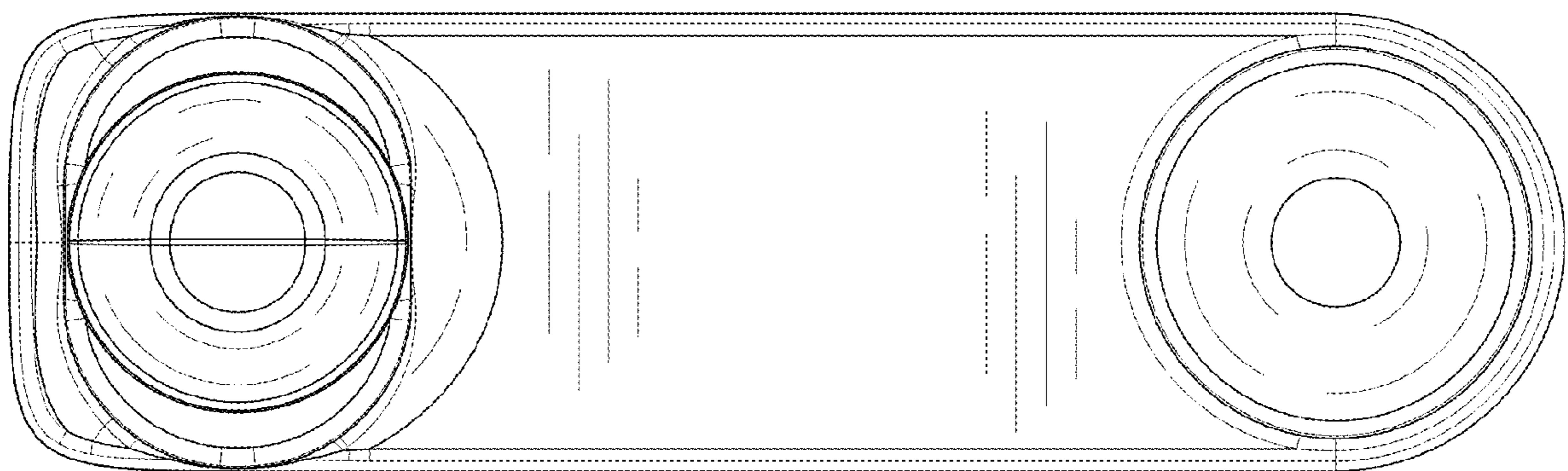


FIG. 7

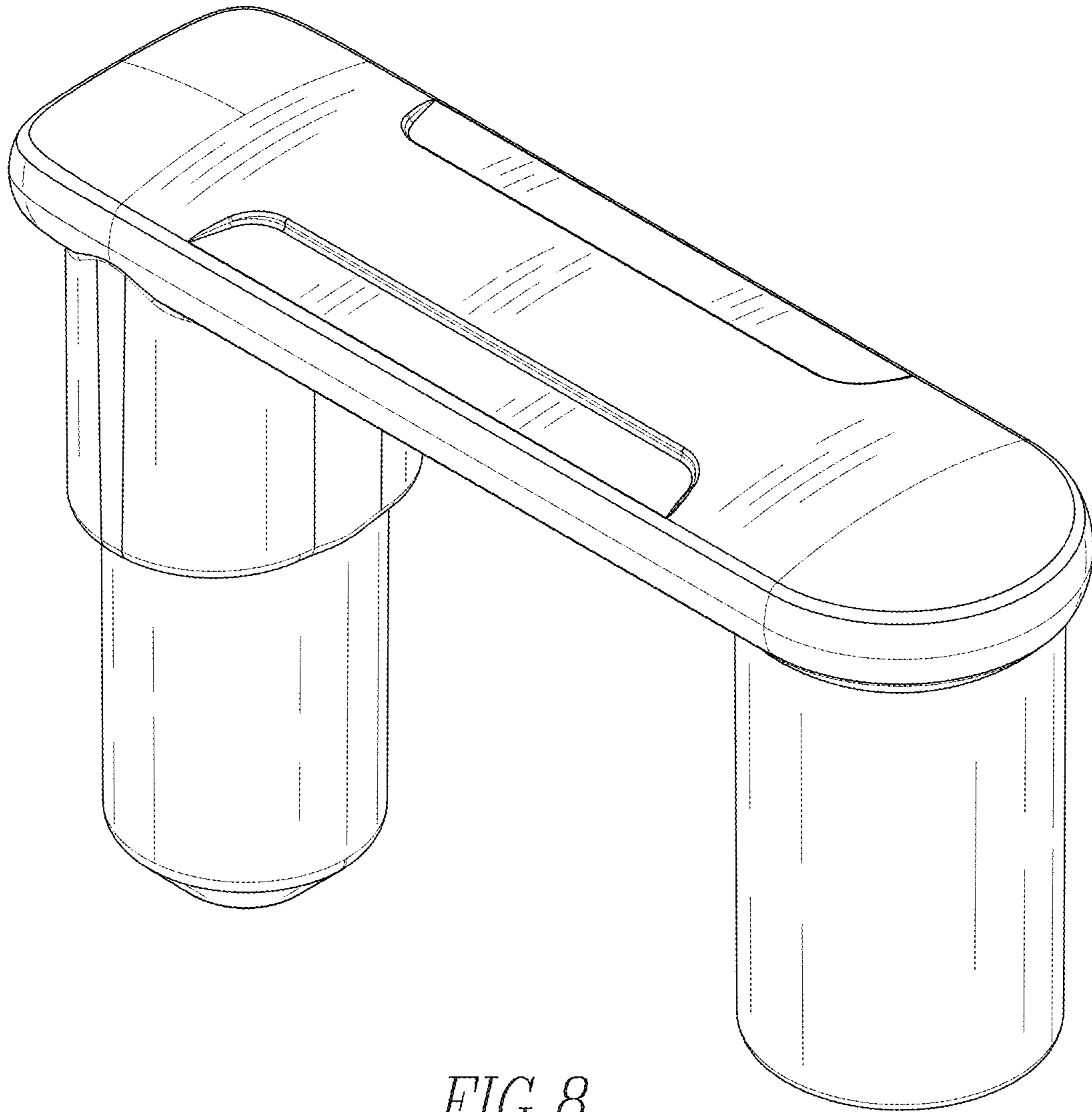


FIG. 8