

US00D917718S

(12) **United States Design Patent**  
**Livingston et al.**

(10) **Patent No.:** **US D917,718 S**

(45) **Date of Patent:** **\*\* Apr. 27, 2021**

(54) **SEPTUM FOR A VESSEL**

(71) Applicant: **BECTON DICKINSON AND COMPANY**, Franklin Lakes, NJ (US)

(72) Inventors: **Dwight Livingston**, Fallston, MD (US); **Ammon David Lentz**, York, PA (US); **Sharon Virginia LaMont Leitch**, Shrewsbury, PA (US); **Gary F. Hershner**, Red Lion, PA (US); **Daniel Justin Lohan**, Glen Rock, PA (US); **Joseph Kelleher**, Baltimore, MD (US); **Elisabeth Lily Sooklal**, Reisterstown, MD (US)

(73) Assignee: **BECTON DICKINSON AND COMPANY**, Franklin Lakes, NJ (US)

(\*\*) Term: **15 Years**

(21) Appl. No.: **29/700,689**

(22) Filed: **Aug. 5, 2019**

(51) **LOC (13) Cl.** ..... **24-02**

(52) **U.S. Cl.**  
USPC ..... **D24/224; D24/226**

(58) **Field of Classification Search**  
USPC ..... **D24/216, 222-226, 231, 232;**  
**D3/203.1-203.8; D9/502, 504, 505, 529,**  
**D9/552-556, 558, 569**

(Continued)

(56) **References Cited**

**U.S. PATENT DOCUMENTS**

1,879,820 A \* 9/1932 Perry ..... A47G 19/2205  
215/371

4,924,923 A 5/1990 Boehmer et al.

(Continued)

**FOREIGN PATENT DOCUMENTS**

KR 200177951 Y1 4/2000  
KR 30-0271463 2/2001  
KR 30-0282379 10/2001

**OTHER PUBLICATIONS**

International Search Report and Written Opinion issued in PCT application No. PCT/US2020/037408 dated Sep. 25, 2020.

(Continued)

*Primary Examiner* — Susan Bennett Hattan

*Assistant Examiner* — Omeed Agilee

(74) *Attorney, Agent, or Firm* — Botos Churchill IP Law LLP

(57) **CLAIM**

The ornamental design for a septum for a vessel, as shown and described.

**DESCRIPTION**

FIG. 1 is a perspective view of a septum for a vessel according to a first embodiment of our design;

FIG. 2 is a front elevation view thereof;

FIG. 3 is a back elevation view thereof;

FIG. 4 is a right side elevation view thereof;

FIG. 5 is a left side elevation view thereof;

FIG. 6 is a top plan view thereof;

FIG. 7 is a bottom plan view thereof;

FIG. 8 is a bottom perspective view thereof;

FIG. 9 is a sectional view thereof taken from 9-9 shown in FIG. 6;

FIG. 10 is an enlarged view of area 10 circumscribed in FIG. 9;

FIG. 11 is a perspective view of a septum for a vessel according to a second embodiment of our design;

FIG. 12 is a front elevation view thereof;

FIG. 13 is a back elevation view thereof;

FIG. 14 is a right side elevation view thereof;

FIG. 15 is a left side elevation view thereof;

FIG. 16 is a top plan view thereof;

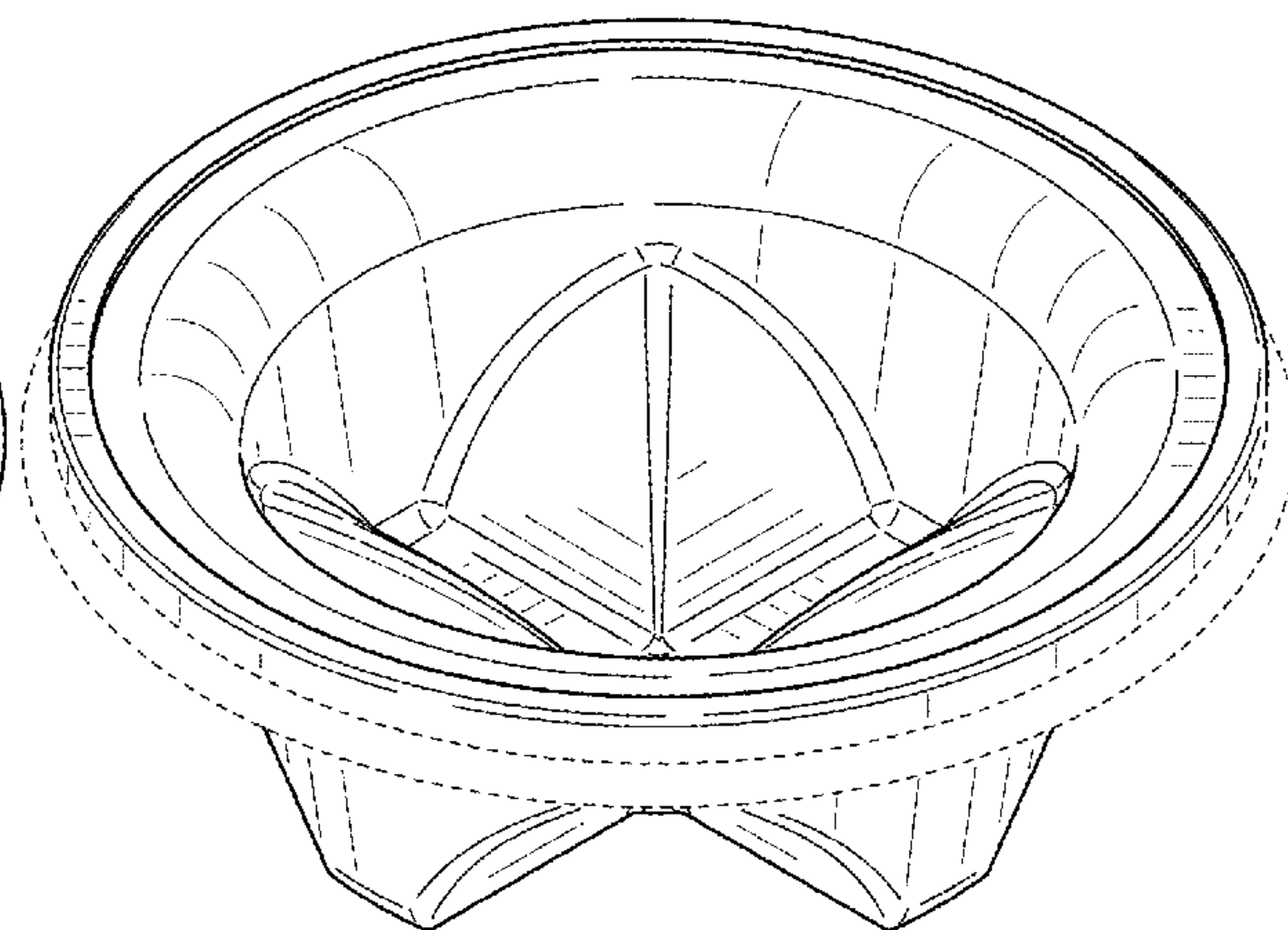
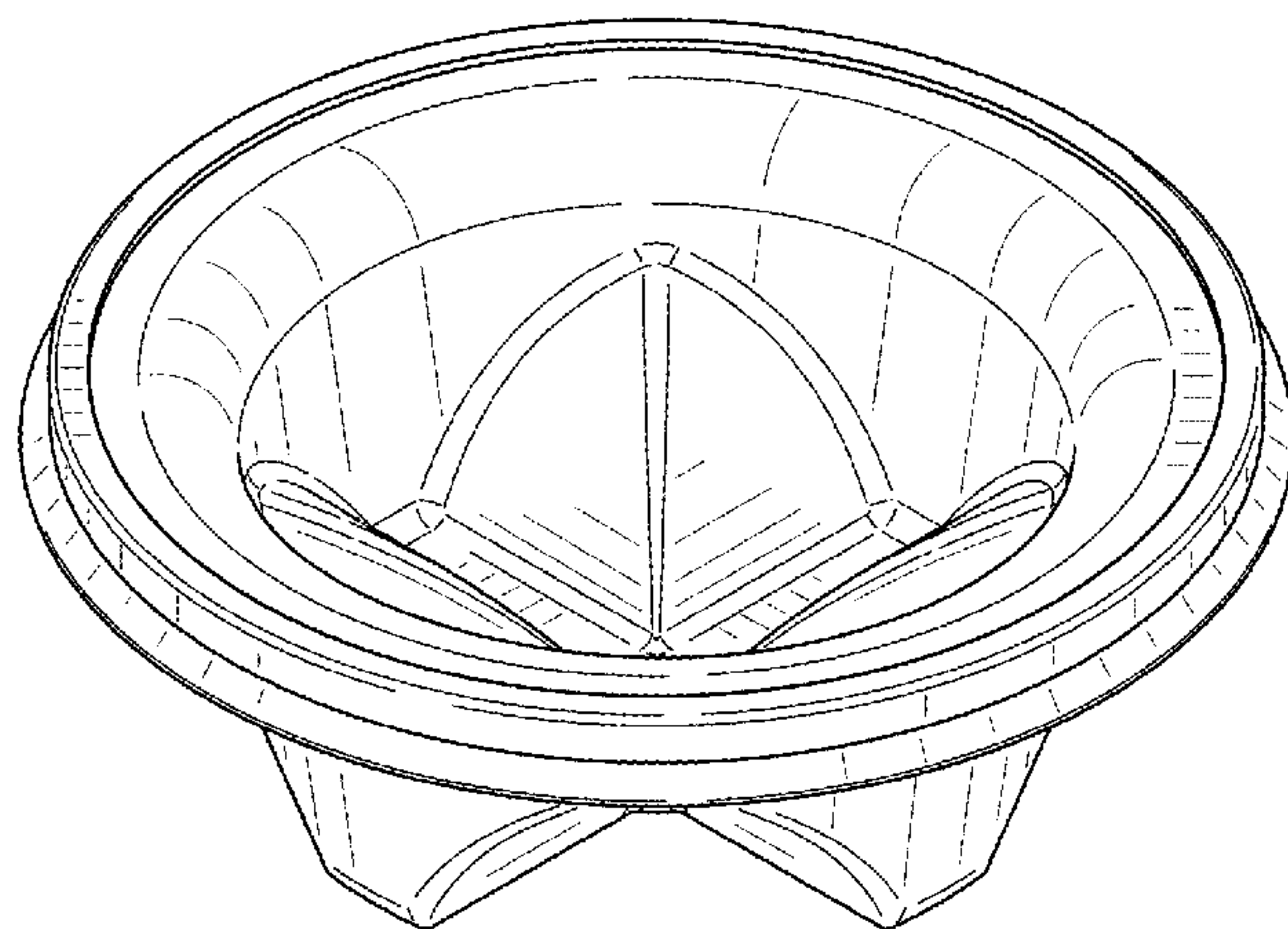
FIG. 17 is a bottom plan view thereof;

FIG. 18 is a bottom perspective thereof;

FIG. 19 is a sectional view thereof taken from 9-9 shown in FIG. 16; and,

FIG. 20 is an enlarged view of area 20 circumscribed in FIG. 19.

(Continued)



The broken line circles shown in FIGS. 9, 10, 19, and 20 illustrate the boundaries of the enlarged views and form no part of the claimed design. The rest of the broken lines in the drawings depict portions of the septum for a vessel that form no part of the claimed design.

1 Claim, 10 Drawing Sheets

(58) Field of Classification Search

CPC ..... A61B 5/150022; B63H 21/36  
See application file for complete search history.

(56) References Cited

U.S. PATENT DOCUMENTS

D323,555	S	1/1992	Rasmusson	
5,269,763	A	12/1993	Boehmer et al.	
5,366,893	A *	11/1994	Stevens .....	B01L 3/50851 422/536
D480,640	S *	10/2003	Oyama .....	D24/129
D502,046	S *	2/2005	Isler .....	D7/354
D516,913	S	3/2006	LaMasney	
D582,032	S *	12/2008	Bizup .....	D24/129

D586,905	S *	2/2009	Fisher .....	D24/110
D602,164	S *	10/2009	Speth .....	D24/224
D647,627	S	10/2011	Wilkinson	
8,387,810	B2	3/2013	Livingston et al.	
8,387,811	B2	3/2013	Livingston et al.	
D690,433	S	9/2013	Karpiloff et al.	
D717,430	S	11/2014	Shiraishi et al.	
D738,210	S *	9/2015	Tanner .....	D9/440
9,545,632	B2	1/2017	Lentz et al.	
D806,241	S *	12/2017	Swinney .....	D24/129
D824,027	S	7/2018	Flores et al.	
D829,896	S *	10/2018	Py .....	D24/129
D834,532	S	11/2018	Maroney et al.	
D852,375	S	6/2019	Druga et al.	
D859,686	S *	9/2019	Charm .....	D24/224
D886,320	S *	6/2020	Bruemmer .....	D24/216
D887,577	S	6/2020	Shor et al.	
2009/0048534	A1	2/2009	Triva	
2009/0257922	A1	10/2009	Baker	
2014/0008321	A1	1/2014	Lentz et al.	
2014/0011292	A1	1/2014	Lentz et al.	

OTHER PUBLICATIONS

Danone Design dated May 24, 1997.  
International Design Registration, Hague Express Jun. 6, 1997.

\* cited by examiner

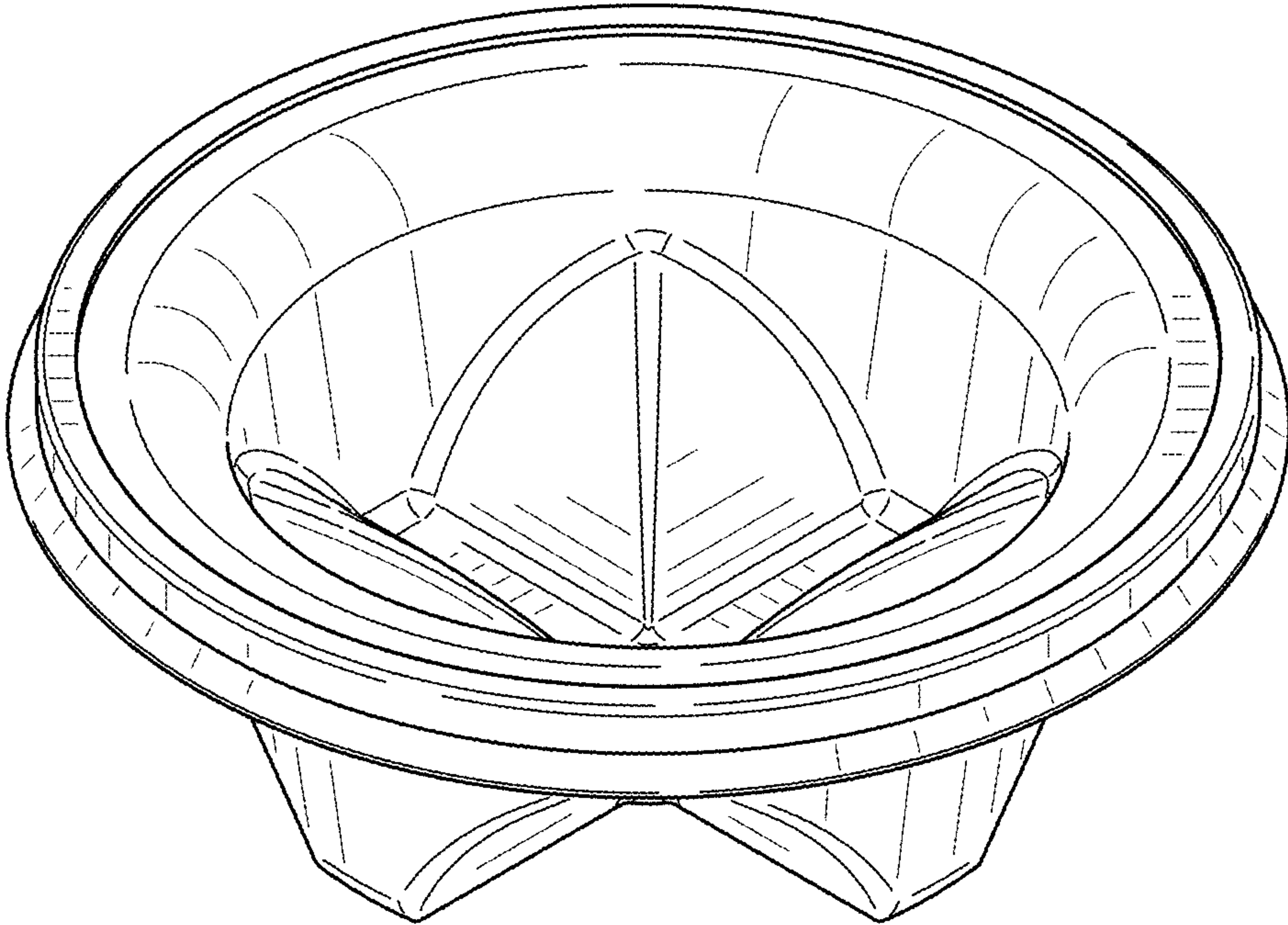


FIG. 1



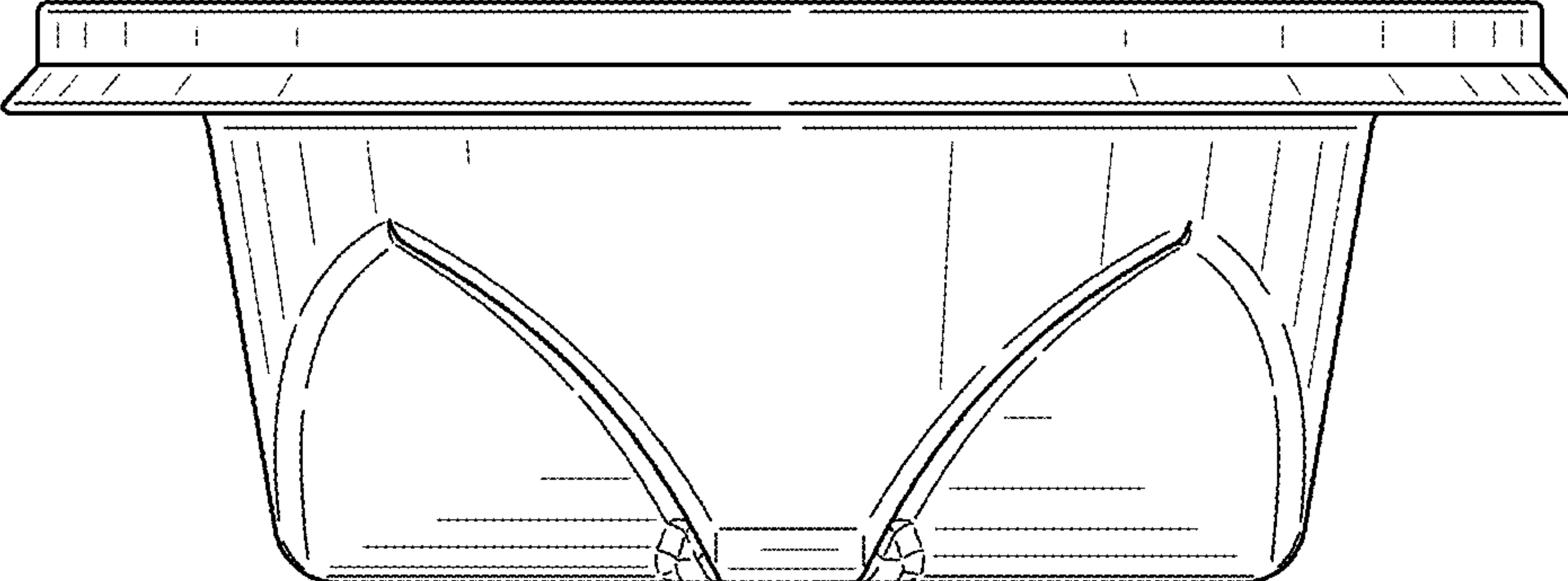


FIG. 2

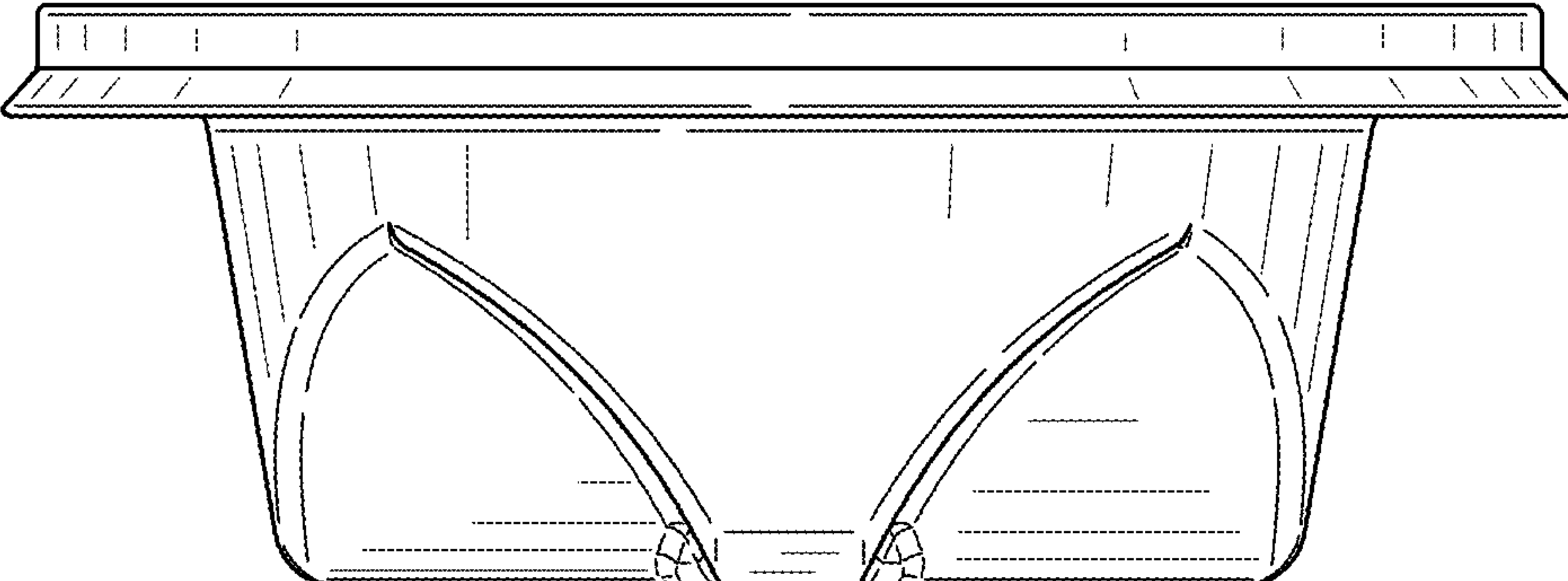
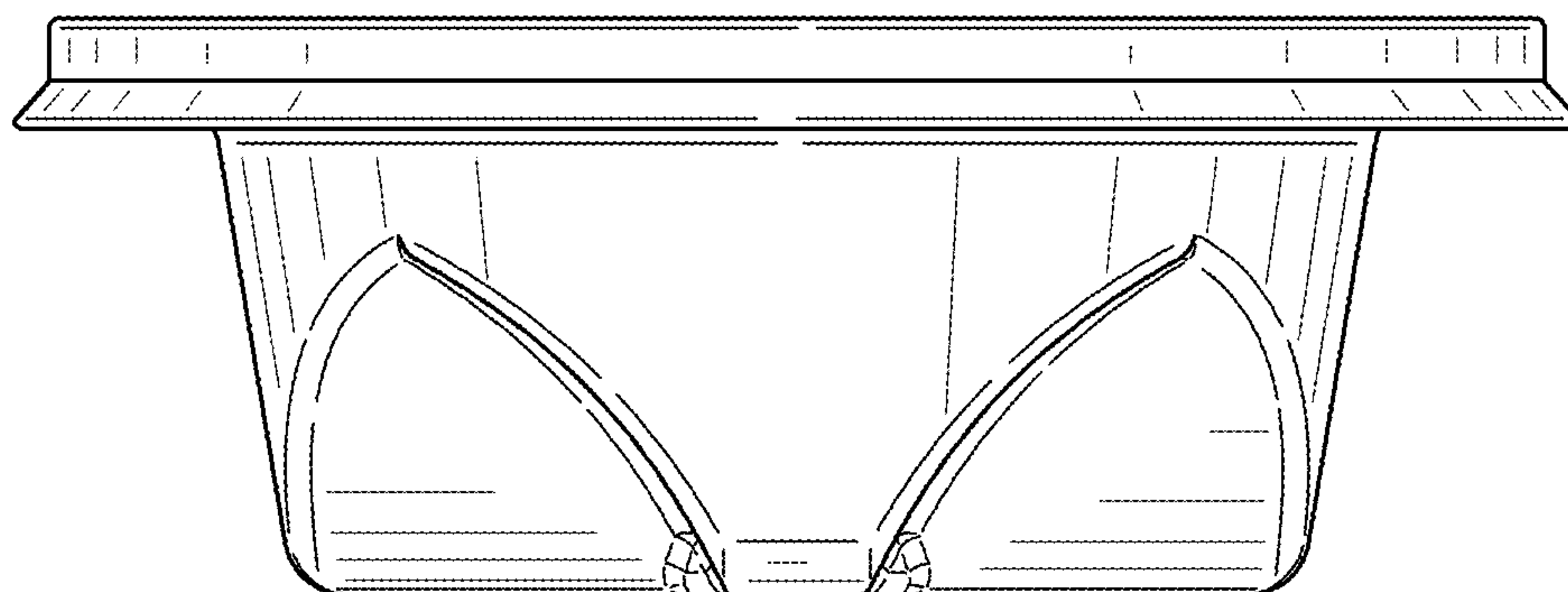
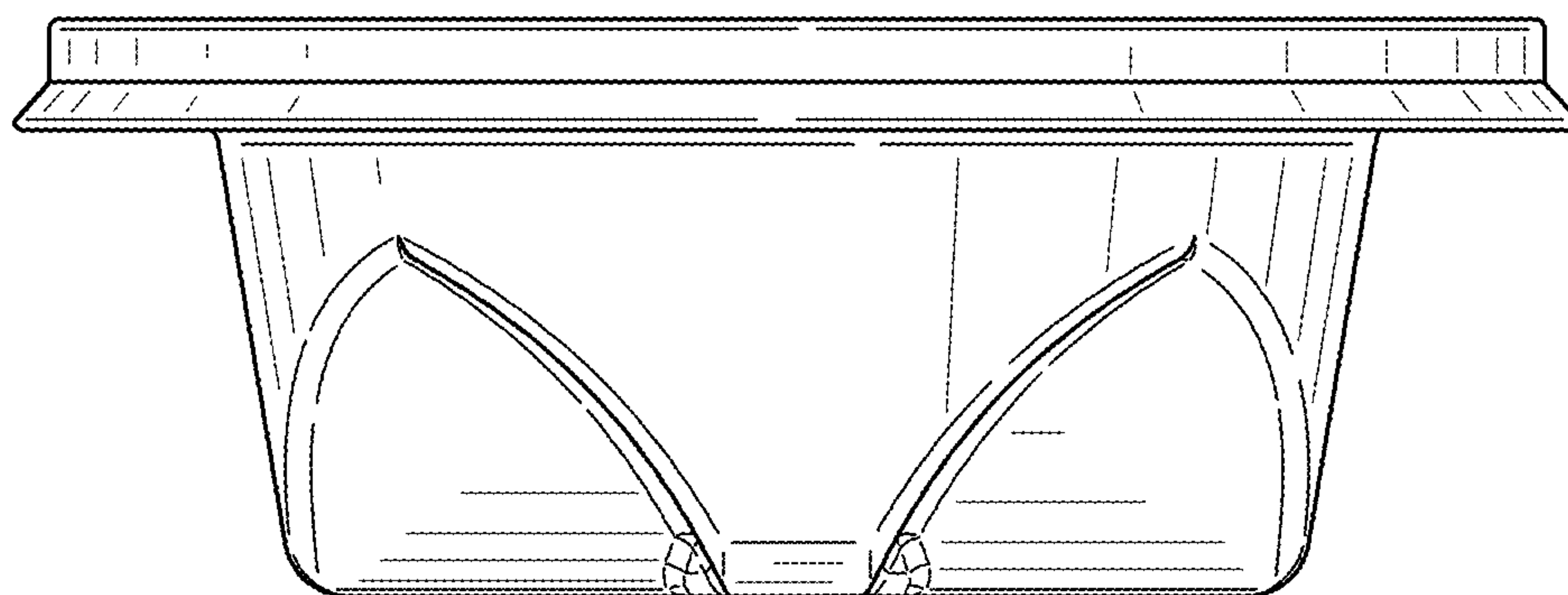


FIG. 3



**FIG. 4**



**FIG. 5**

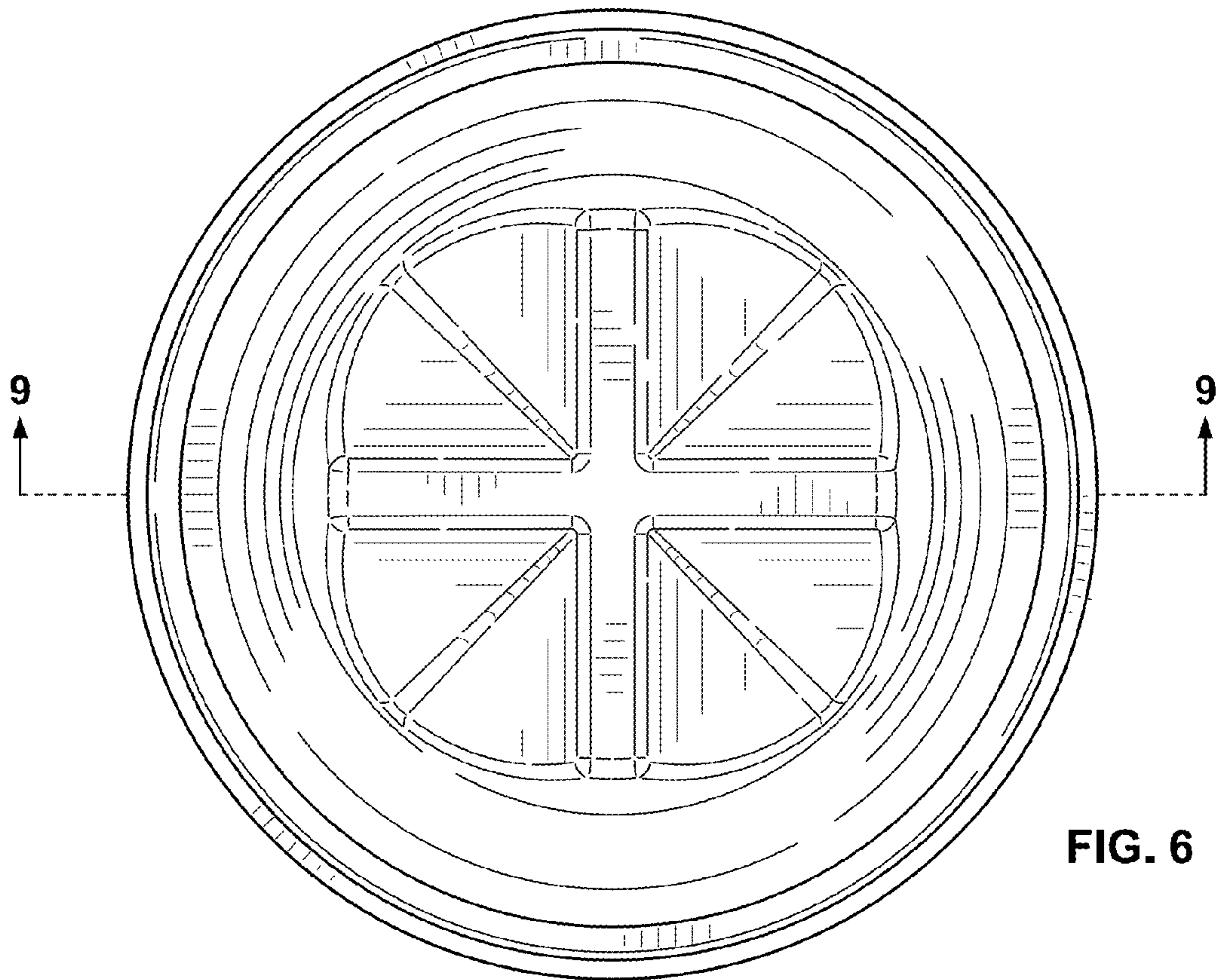


FIG. 6

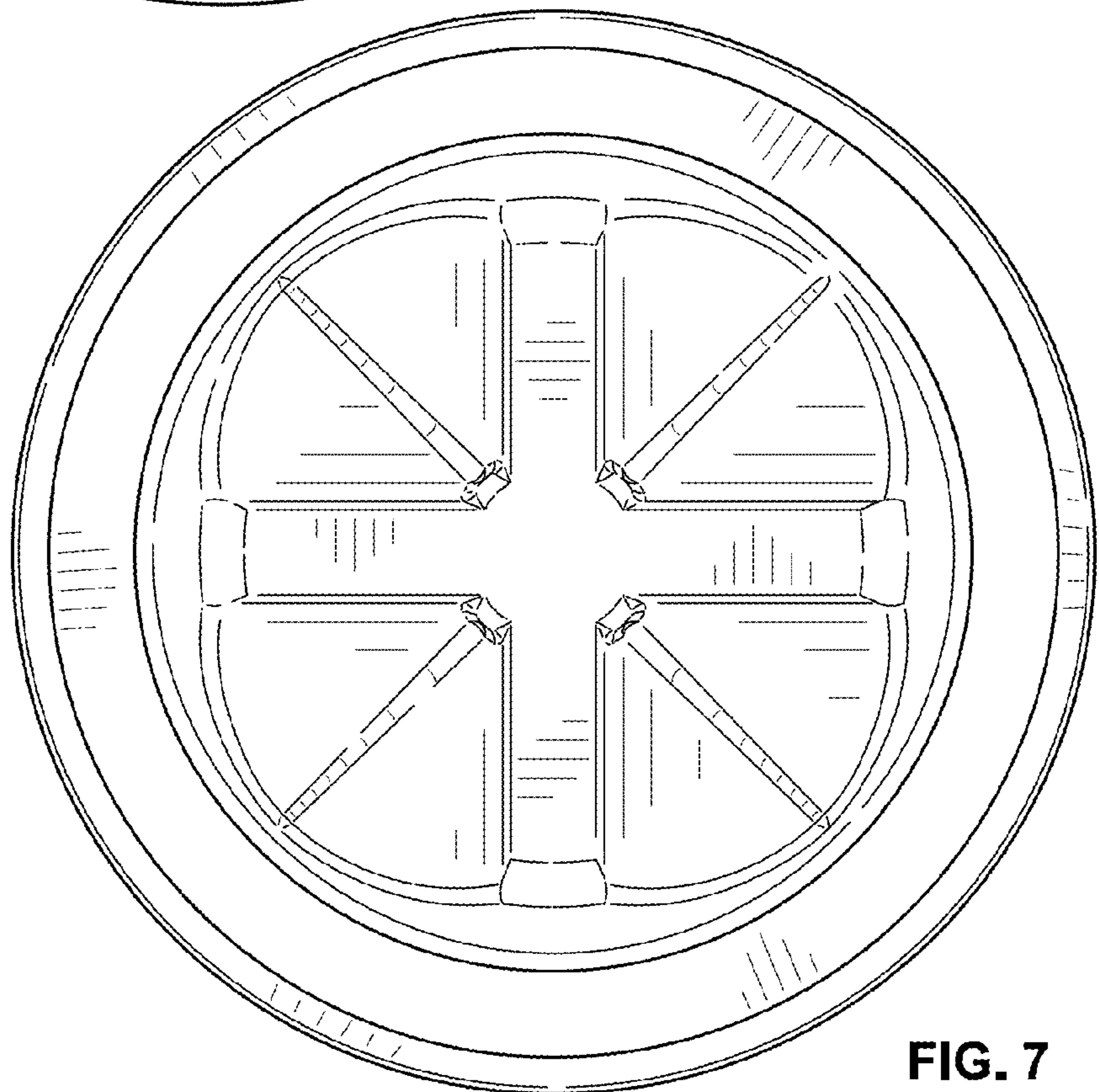


FIG. 7

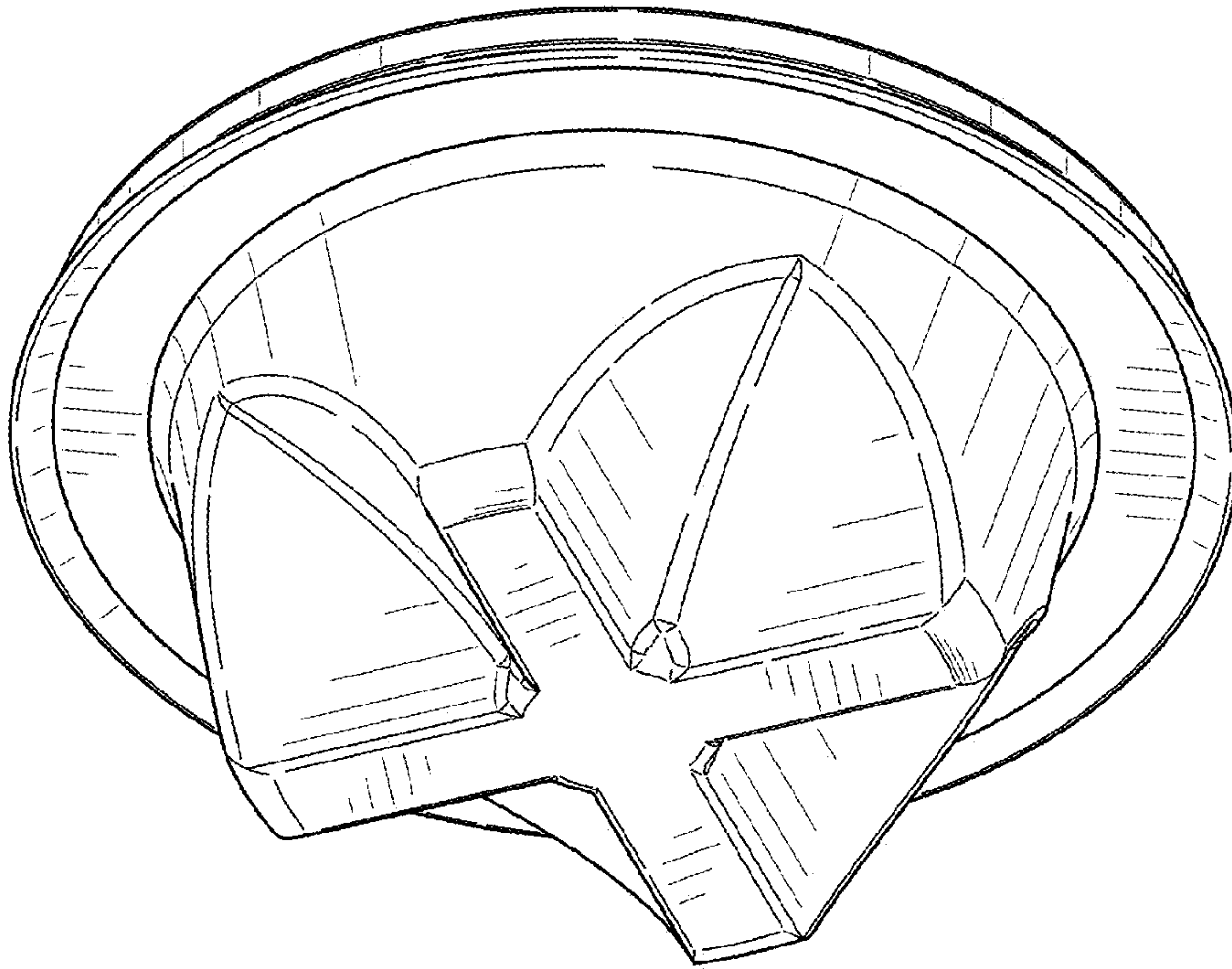


FIG. 8

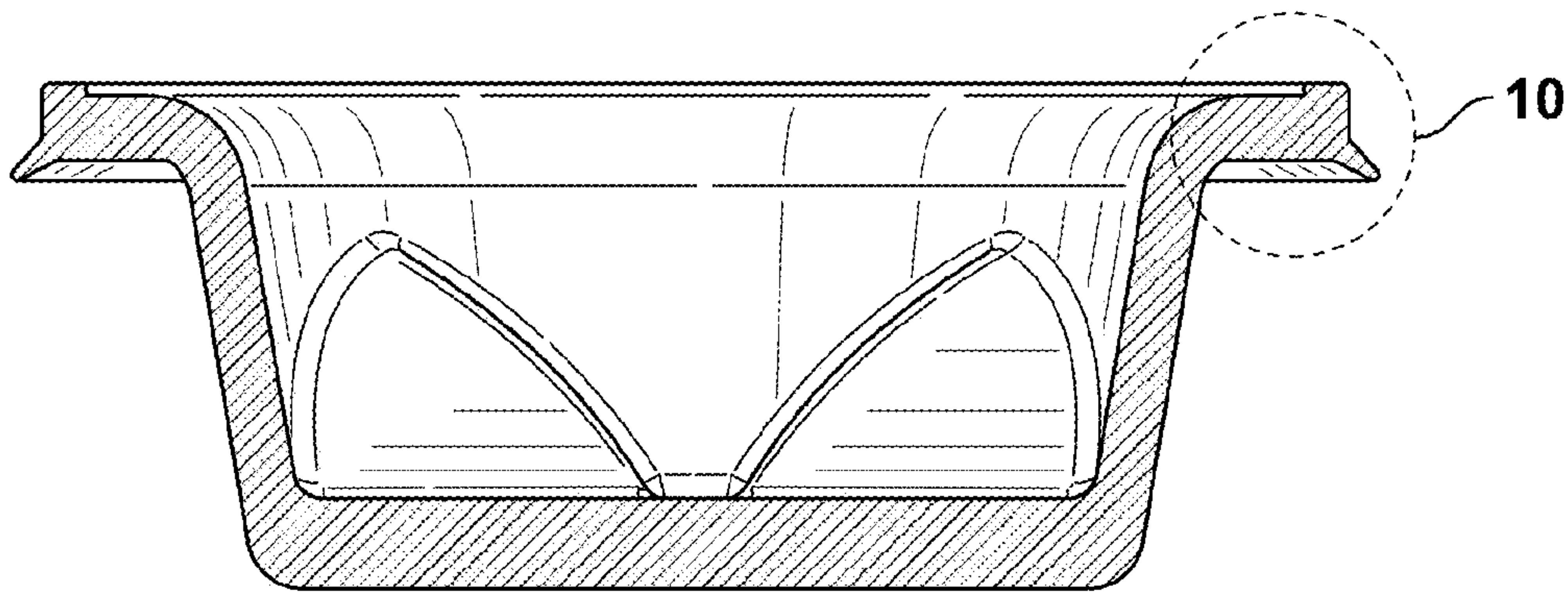


FIG. 9

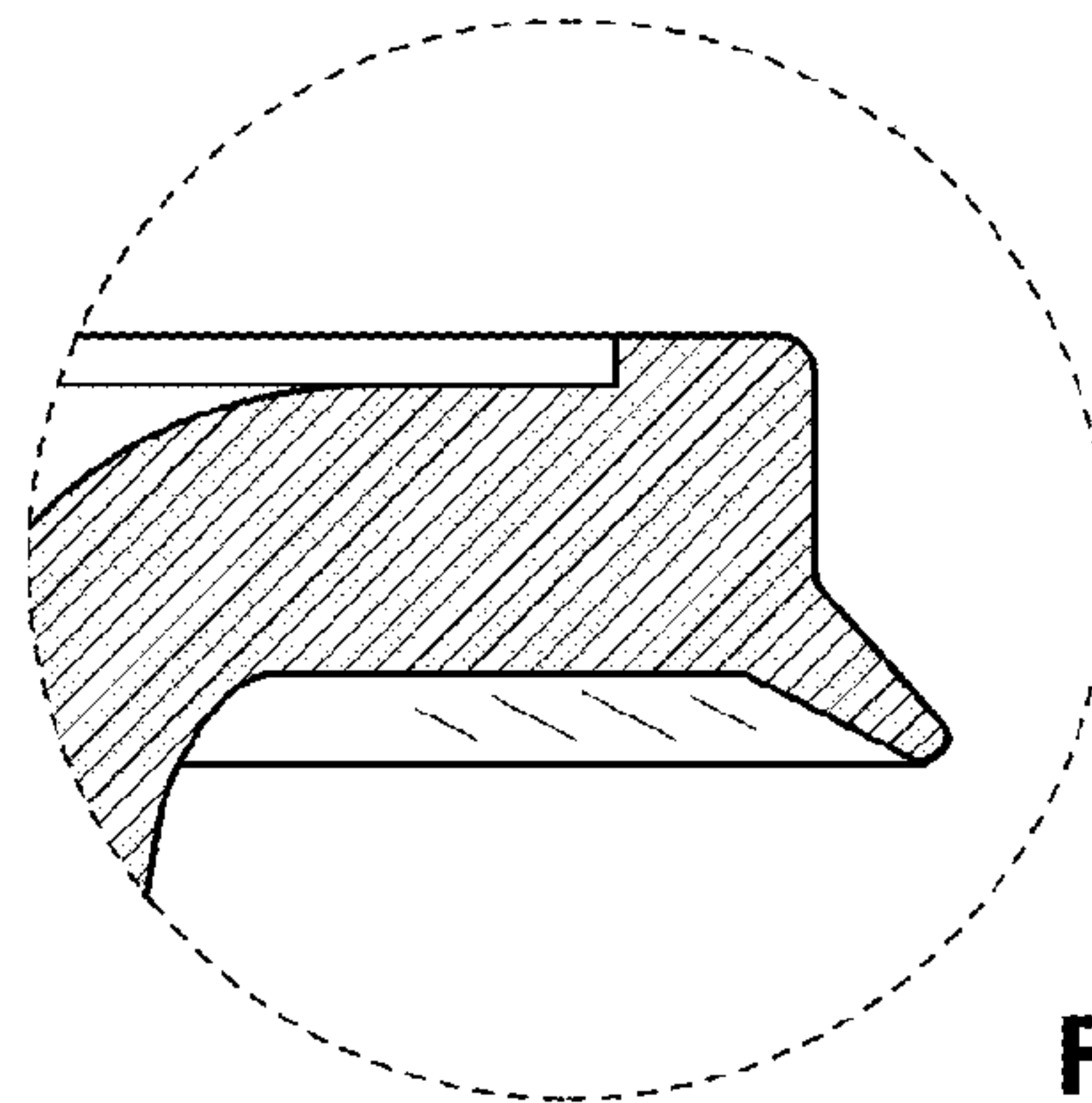


FIG. 10



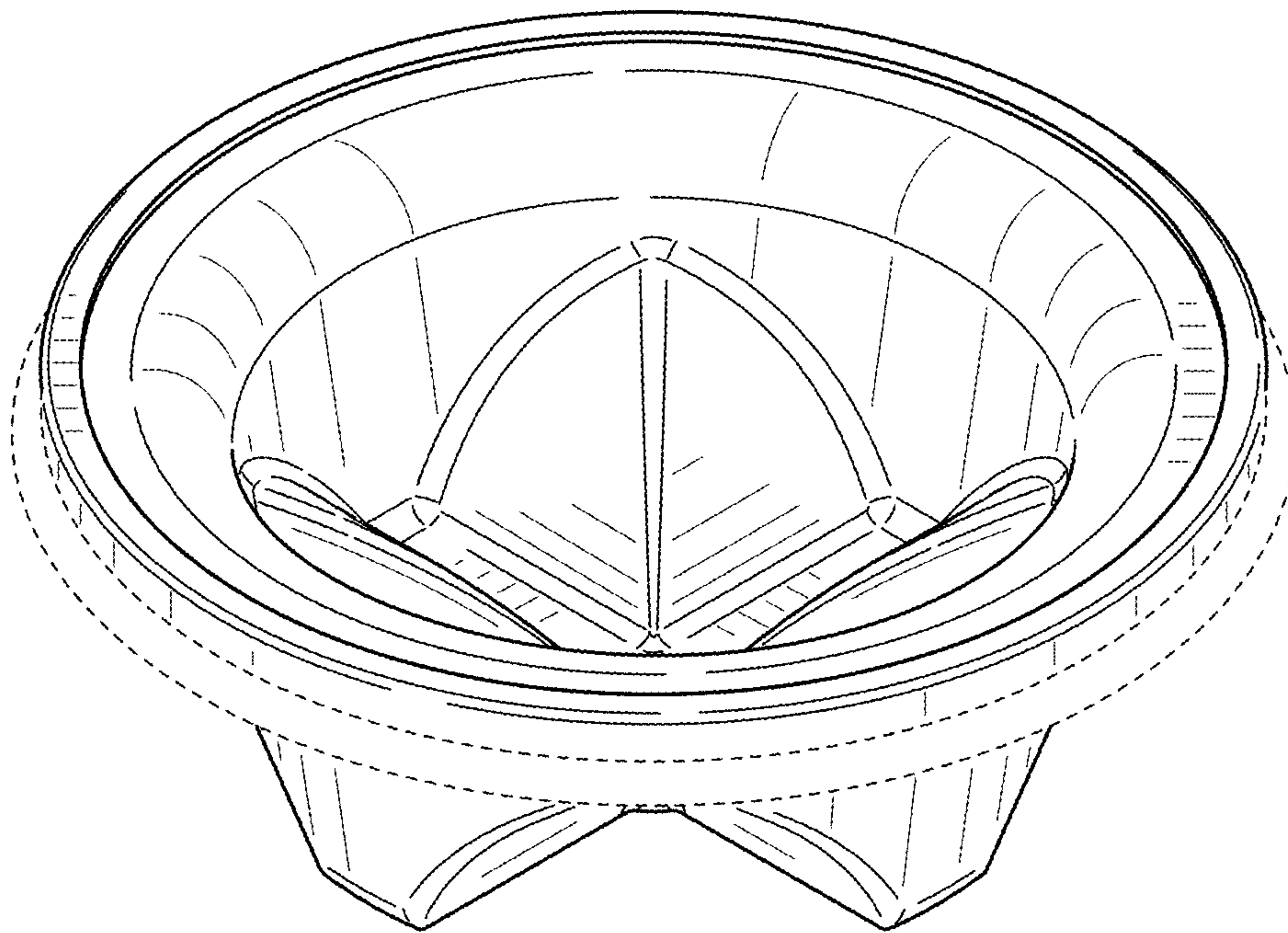


FIG. 11



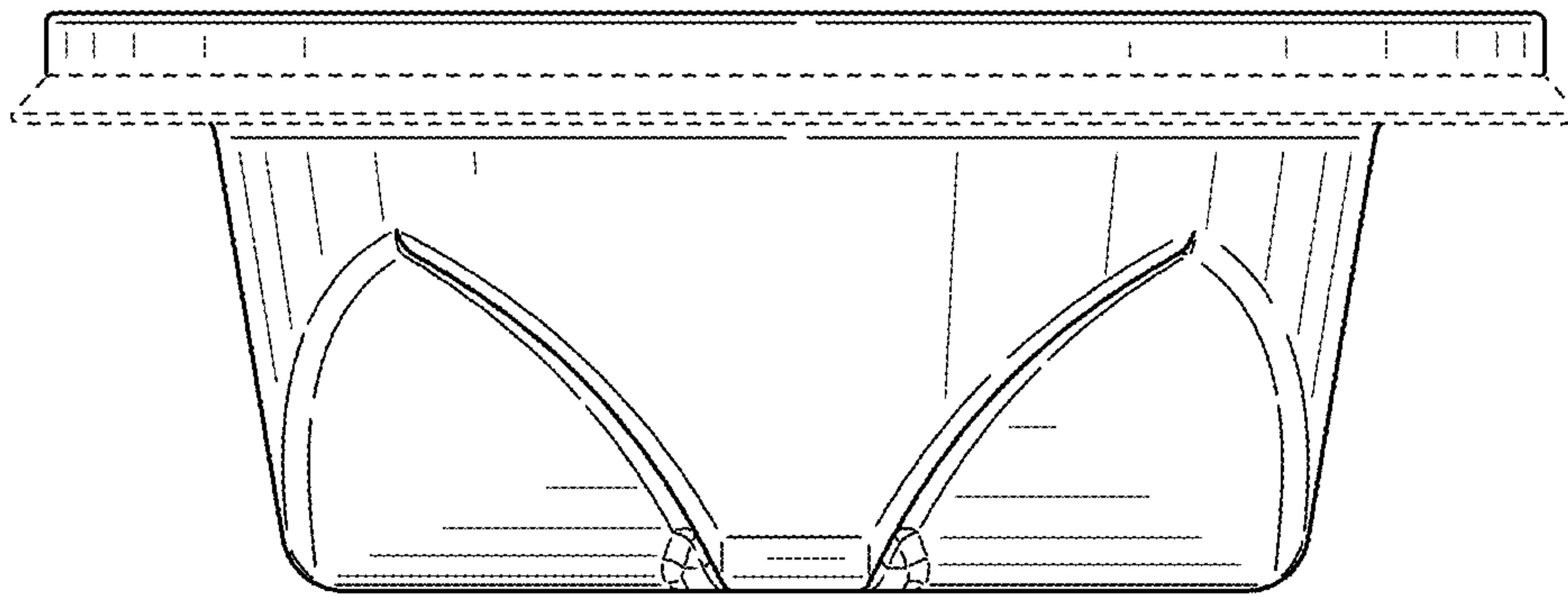


FIG. 12

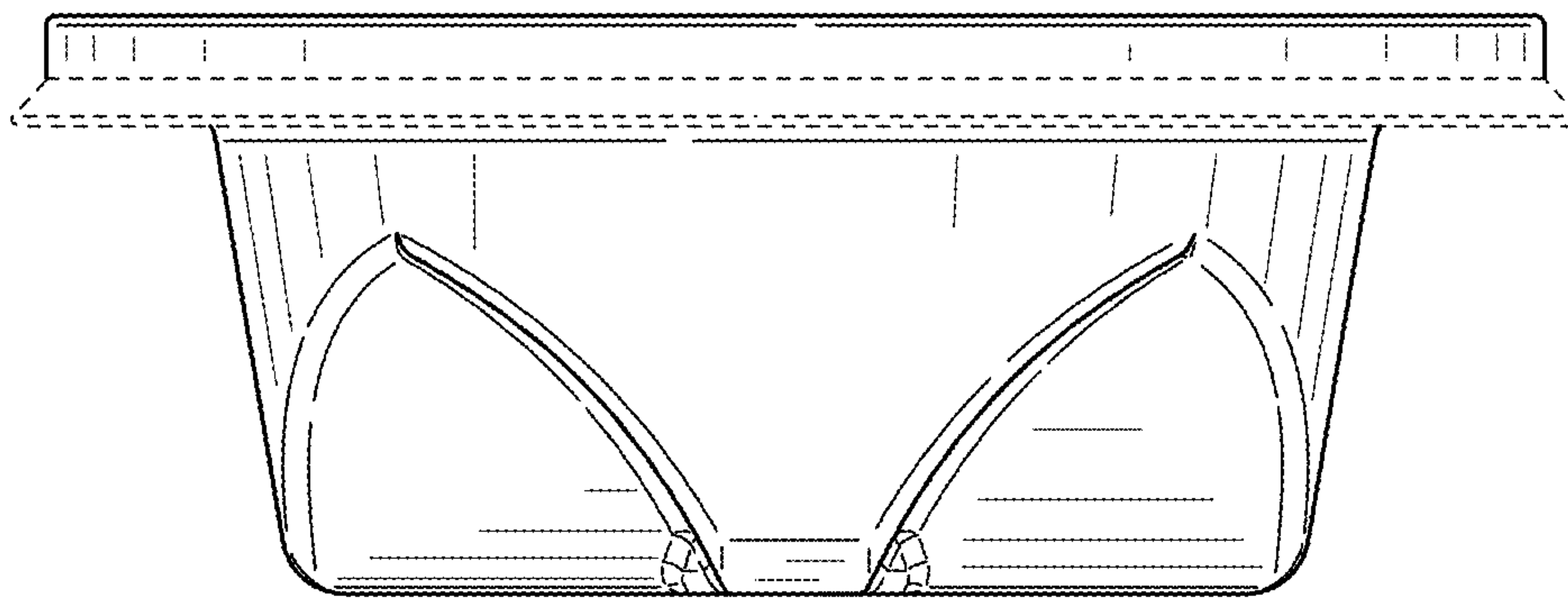


FIG. 13

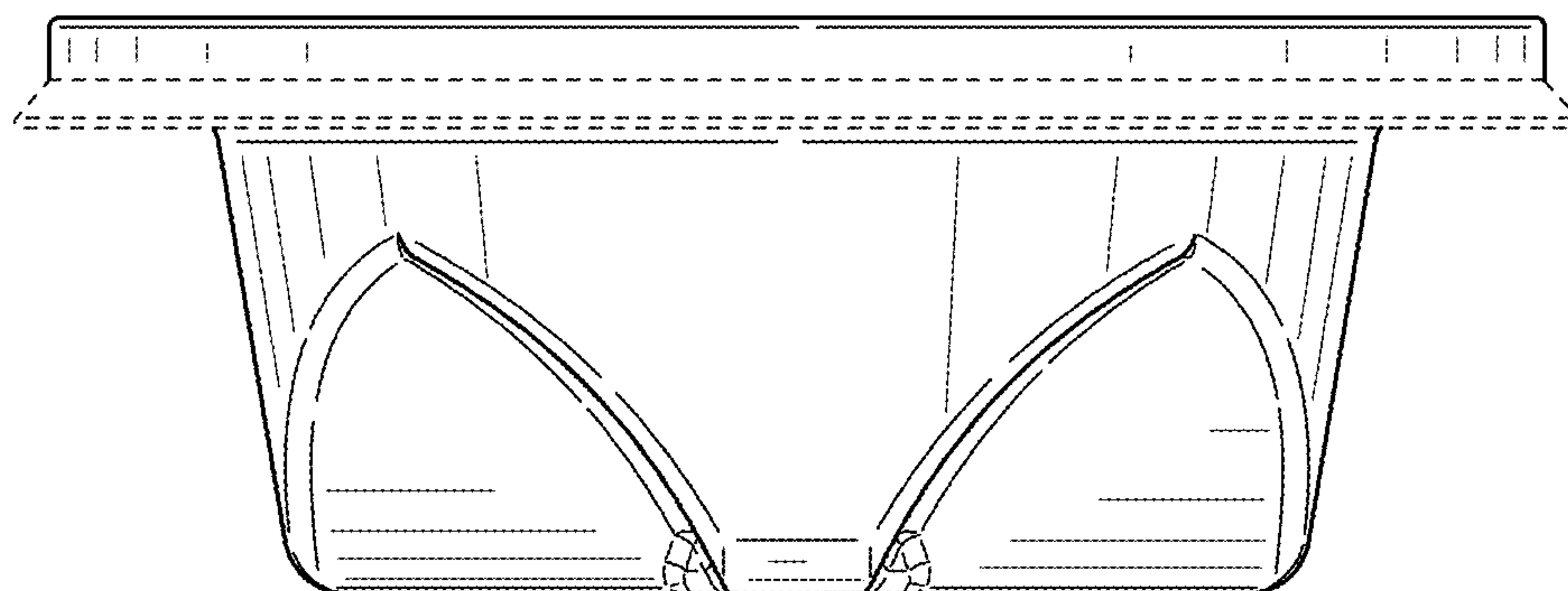


FIG. 14

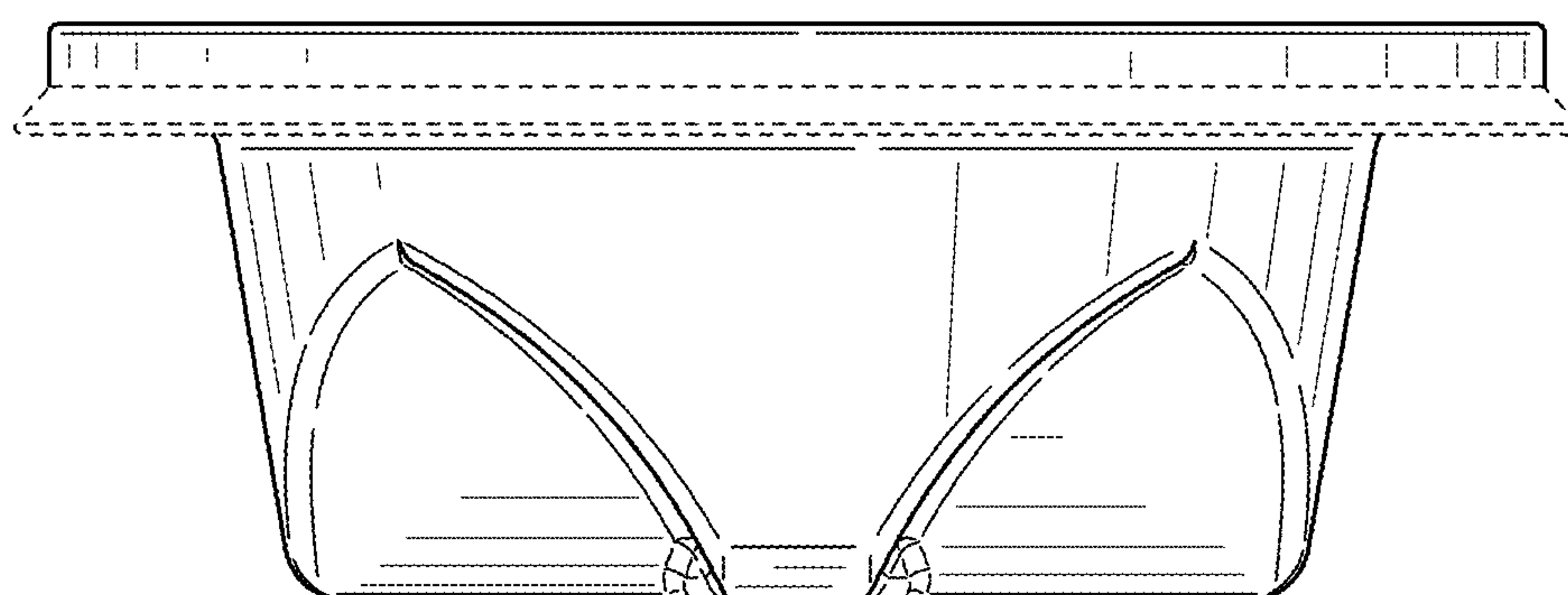
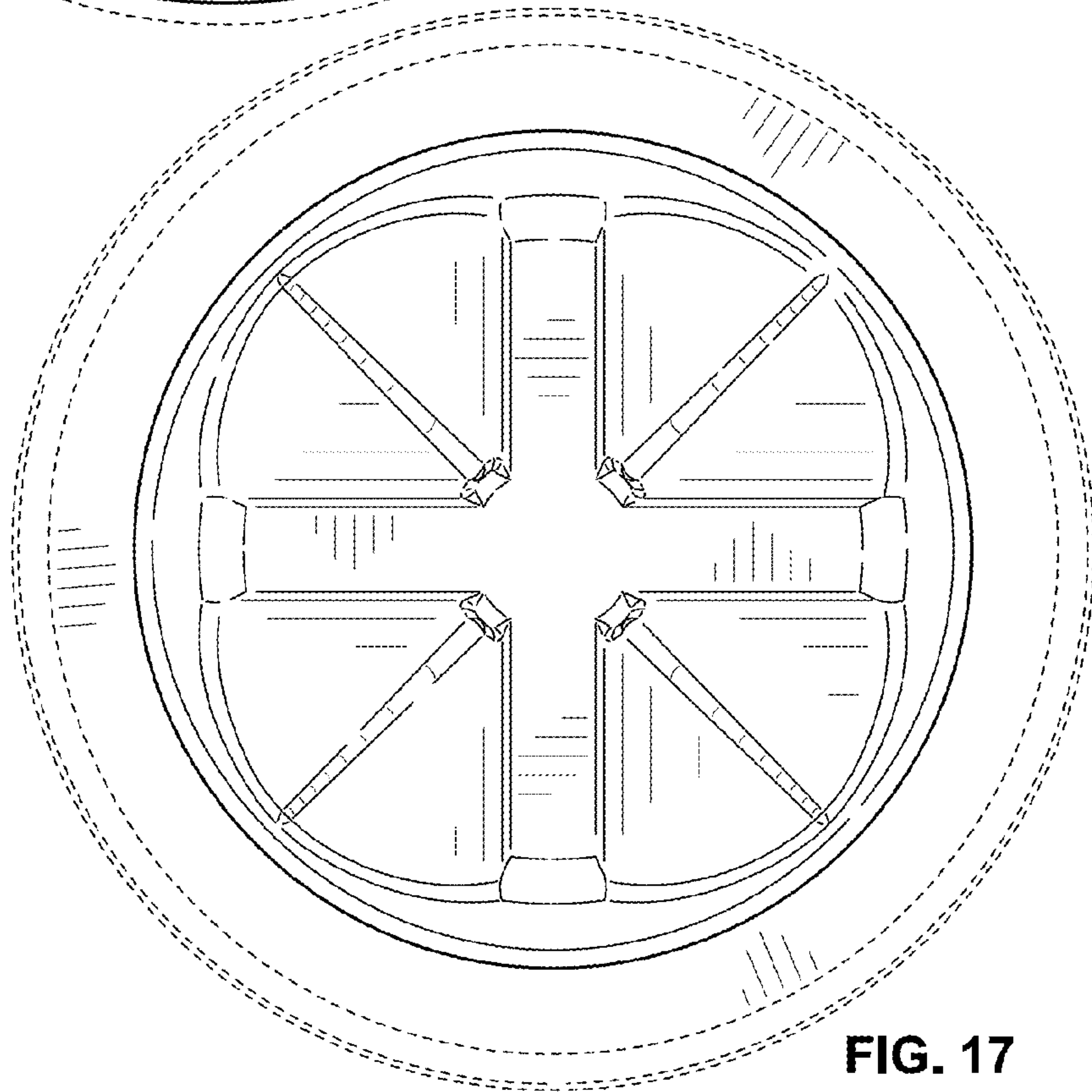
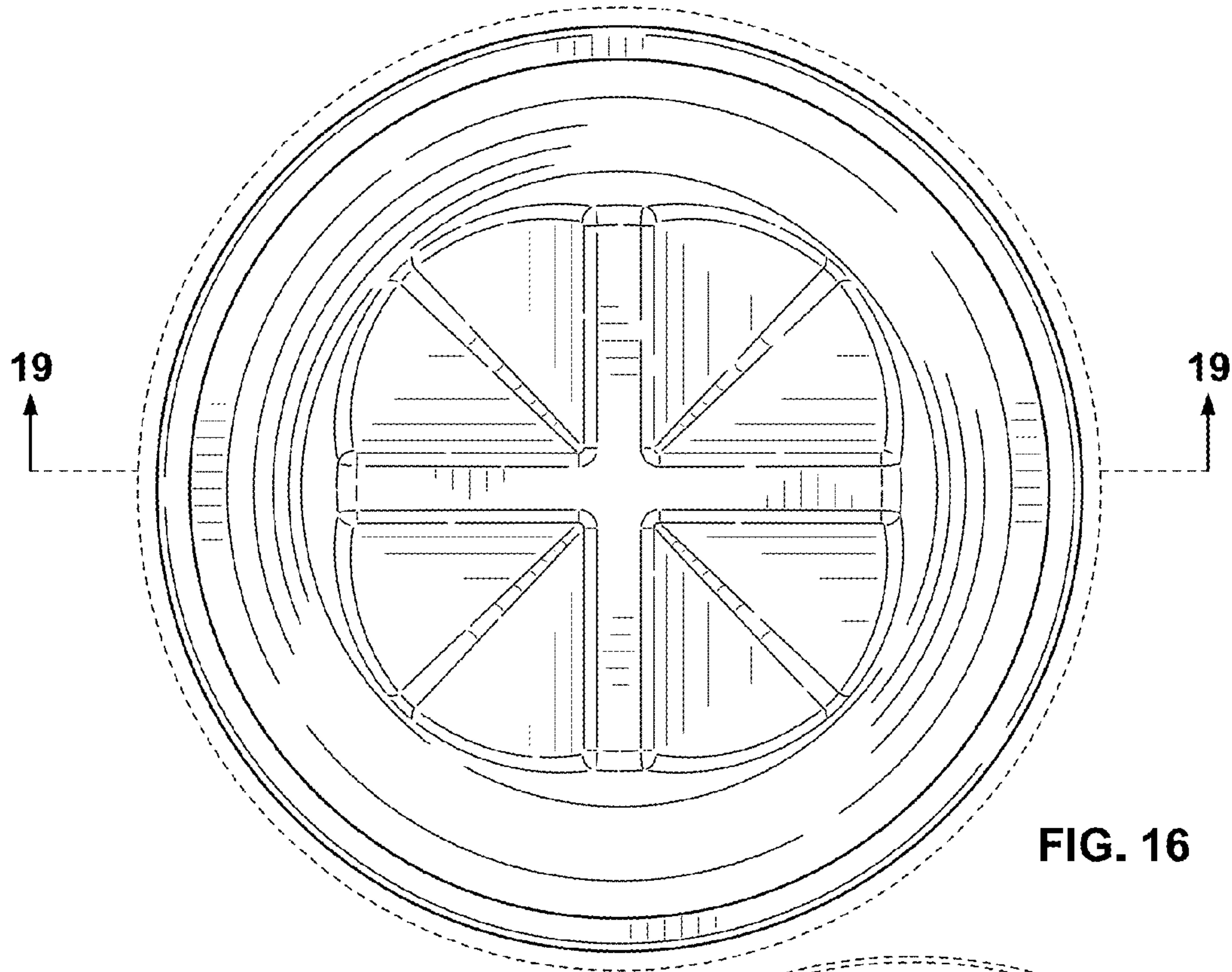


FIG. 15



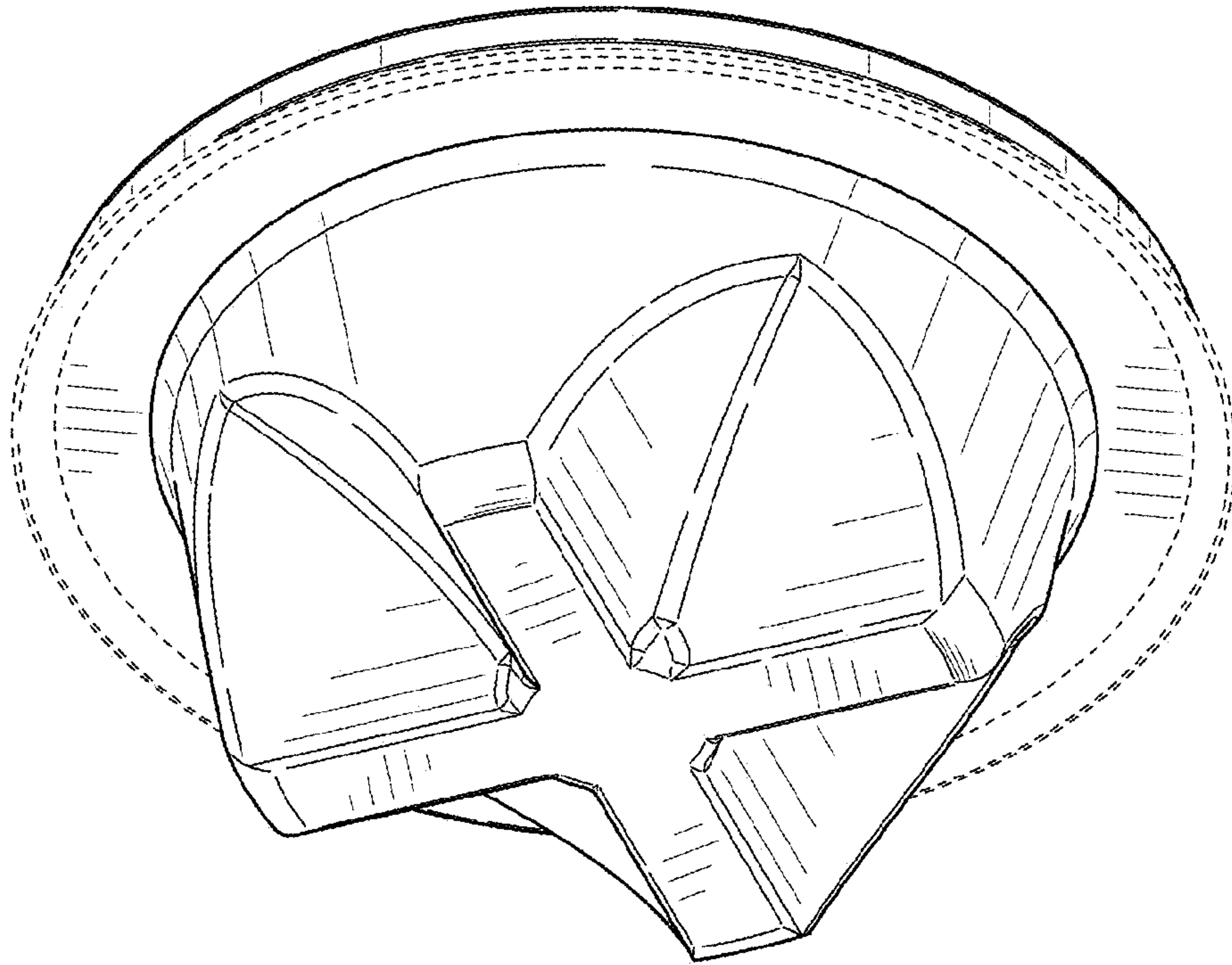


FIG. 18

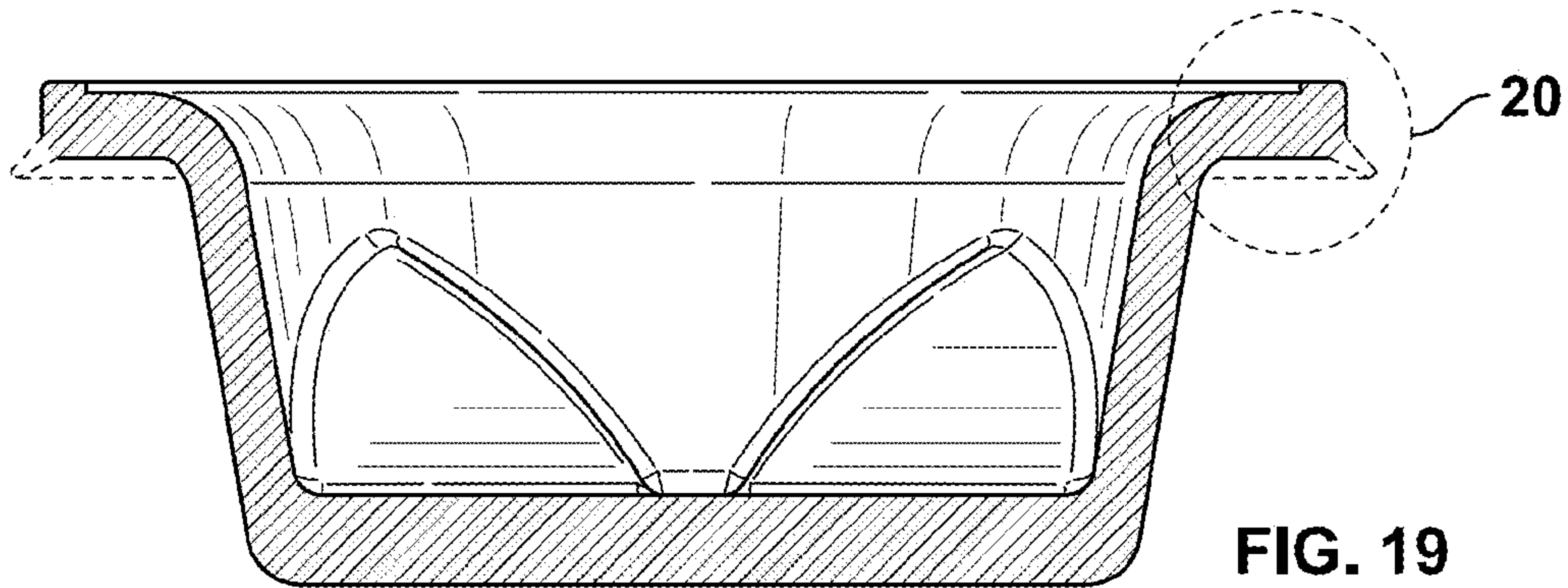


FIG. 19

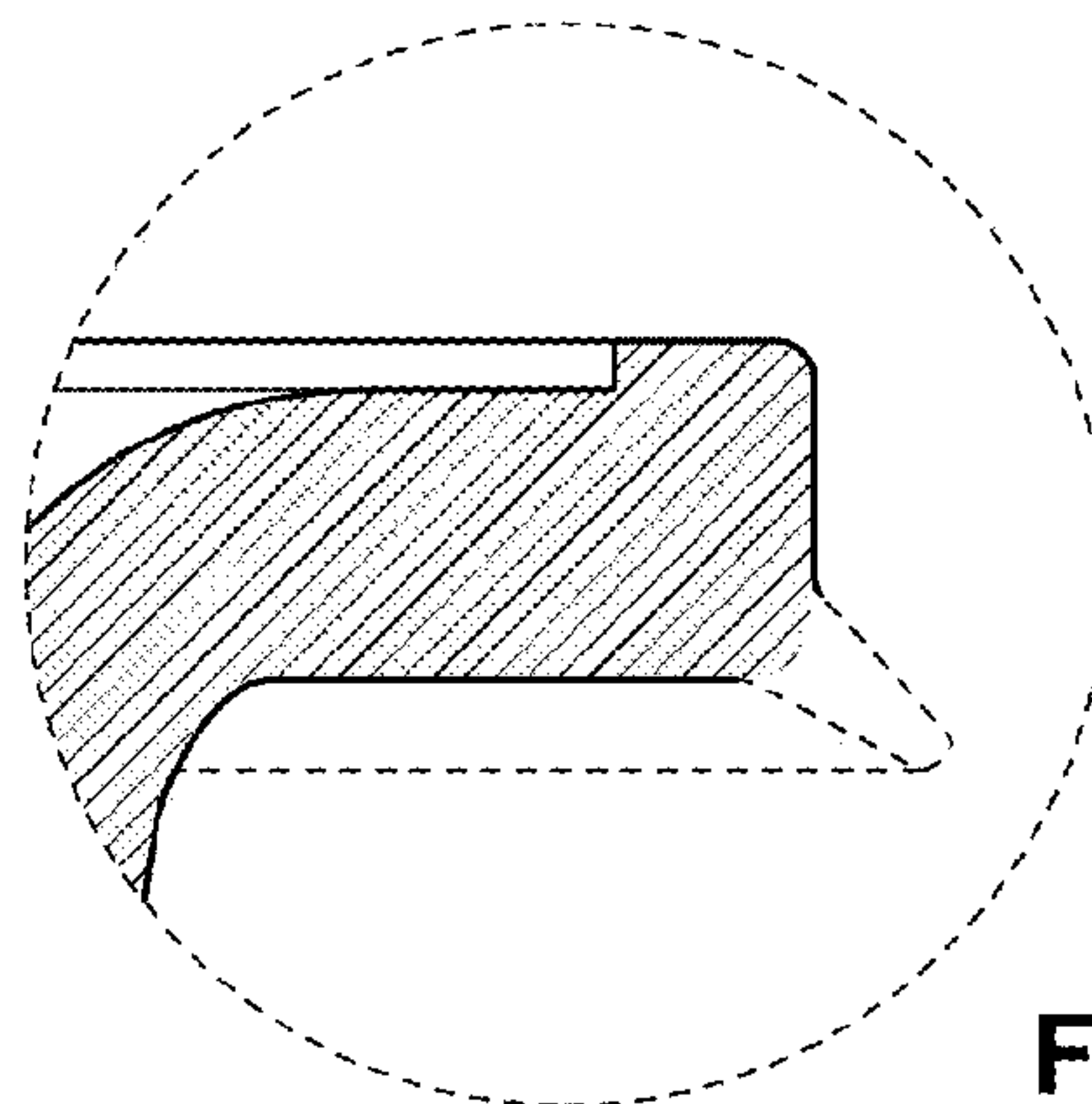


FIG. 20