



US00D917717S

(12) **United States Design Patent**  
**Doebele et al.**

(10) **Patent No.:** **US D917,717 S**  
(45) **Date of Patent:** **\*\* Apr. 27, 2021**

(54) **PIPETTE**

**DESCRIPTION**

- (71) Applicant: **IKA—Werke GmbH & Co. KG**,  
Staufen (DE)
- (72) Inventors: **Philip Doebele**, Freiburg (DE); **Franco Luciani**, Freiburg (DE)
- (73) Assignee: **IKA—Werke GmbH & Co. KG**,  
Staufen (DE)
- (\*\*) Term: **15 Years**
- (21) Appl. No.: **29/719,815**
- (22) Filed: **Jan. 8, 2020**

**Related U.S. Application Data**

- (62) Division of application No. 35/505,216, filed on Apr. 26, 2018 (U.S. filing date under 35 U.S.C. 384), and  
(Continued)
- (51) **LOC (13) Cl.** ..... **24-02**
- (52) **U.S. Cl.**  
USPC ..... **D24/222**
- (58) **Field of Classification Search**  
USPC ..... D24/114, 216, 186, 220, 224, 227, 232,  
D24/234, 222, 108, 130  
(Continued)

(56) **References Cited**

**U.S. PATENT DOCUMENTS**

- D426,643 S 6/2000 Rainin et al.
- D438,630 S 3/2001 Honore
- (Continued)

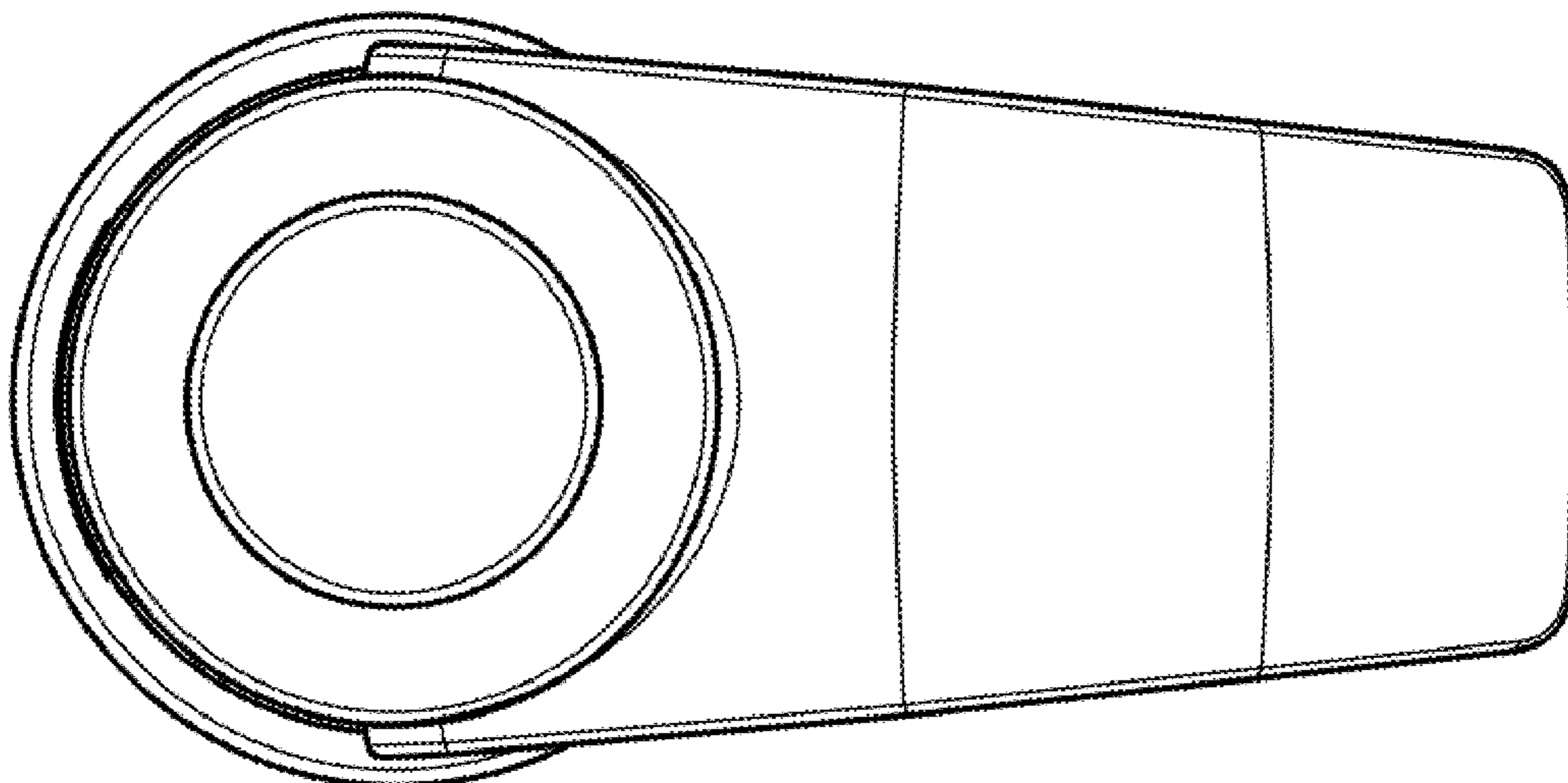
*Primary Examiner* — Eliza Z Bennett-Hattan  
(74) *Attorney, Agent, or Firm* — Volpe Koenig

(57) **CLAIM**

The ornamental design for a part of a pipette, as shown and described.

FIG. 1 is a bottom plan view of a first embodiment of a part of a pipette showing our new design;  
 FIG. 2 is a right side elevational view thereof;  
 FIG. 3 is a front elevational view thereof;  
 FIG. 4 is a left side elevational view thereof;  
 FIG. 5 is a rear elevational view thereof;  
 FIG. 6 is a top plan view thereof; and  
 FIG. 7 is a perspective view thereof;  
 FIG. 8 is a bottom plan view of a second embodiment of a part of a pipette showing our new design;  
 FIG. 9 is a right side elevational view thereof;  
 FIG. 10 is a front elevational view thereof;  
 FIG. 11 is a left side elevational view thereof;  
 FIG. 12 is a rear elevational view thereof;  
 FIG. 13 is a top plan view thereof; and  
 FIG. 14 is a perspective view thereof;  
 FIG. 15 is a bottom plan view of a third embodiment of a part of a pipette showing our new design;  
 FIG. 16 is a right side elevational view thereof;  
 FIG. 17 is a front elevational view thereof;  
 FIG. 18 is a left side elevational view thereof;  
 FIG. 19 is a rear elevational view thereof;  
 FIG. 20 is a top plan view thereof; and  
 FIG. 21 is a perspective view thereof;  
 FIG. 22 is a bottom plan view of a fourth embodiment of a part of a pipette showing our new design;  
 FIG. 23 is a right side elevational view thereof;  
 FIG. 24 is a front elevational view thereof;  
 FIG. 25 is a left side elevational view thereof;  
 FIG. 26 is a rear elevational view thereof;  
 FIG. 27 is a top plan view thereof; and  
 FIG. 28 is a perspective view thereof;  
 FIG. 29 is a bottom plan view of a fifth embodiment of a part of a pipette showing our new design;  
 FIG. 30 is a right side elevational view thereof;  
 FIG. 31 is a front elevational view thereof;  
 FIG. 32 is a left side elevational view thereof;  
 FIG. 33 is a rear elevational view thereof;  
 FIG. 34 is a top plan view thereof; and  
 FIG. 35 is a perspective view thereof.

**1 Claim, 14 Drawing Sheets**



**Related U.S. Application Data**

having an international filing date of Apr. 26, 2018,  
now Pat. No. Des. 875,964.

(58) **Field of Classification Search**

CPC .. B01L 3/0217; B01L 2200/087; G01N 35/10  
See application file for complete search history.

(56) **References Cited**

U.S. PATENT DOCUMENTS

D460,193	S	7/2002	Schieffer et al.	
D584,418	S	1/2009	Rylski	
D584,828	S	1/2009	Rylski	
D591,865	S	5/2009	Hintikka	
D592,314	S	5/2009	Guo	
D625,429	S	10/2010	Link et al.	
D635,273	S	3/2011	Malvoisin	
D664,263	S	7/2012	Ramsamy	
8,297,134	B2 *	10/2012	Wilmer .....	B01L 3/0224 73/864.18
9,566,580	B2 *	2/2017	Jaaskelainen .....	B01L 3/0217
D809,668	S	2/2018	Ramsamy	
9,901,919	B2 *	2/2018	Heinonen .....	B01L 3/0224
9,931,625	B2 *	4/2018	Voyeux .....	B01L 3/022
9,931,628	B2 *	4/2018	LaCroix .....	B01L 3/0224
D848,018	S	5/2019	Yang et al.	
D875,964	S *	2/2020	Doebele .....	D24/222
D876,664	S *	2/2020	Malvoisin .....	D24/222
2007/0272037	A1 *	11/2007	Telimaa .....	B01L 3/0279 73/864.01
2012/0107193	A1	5/2012	Salo et al.	

\* cited by examiner

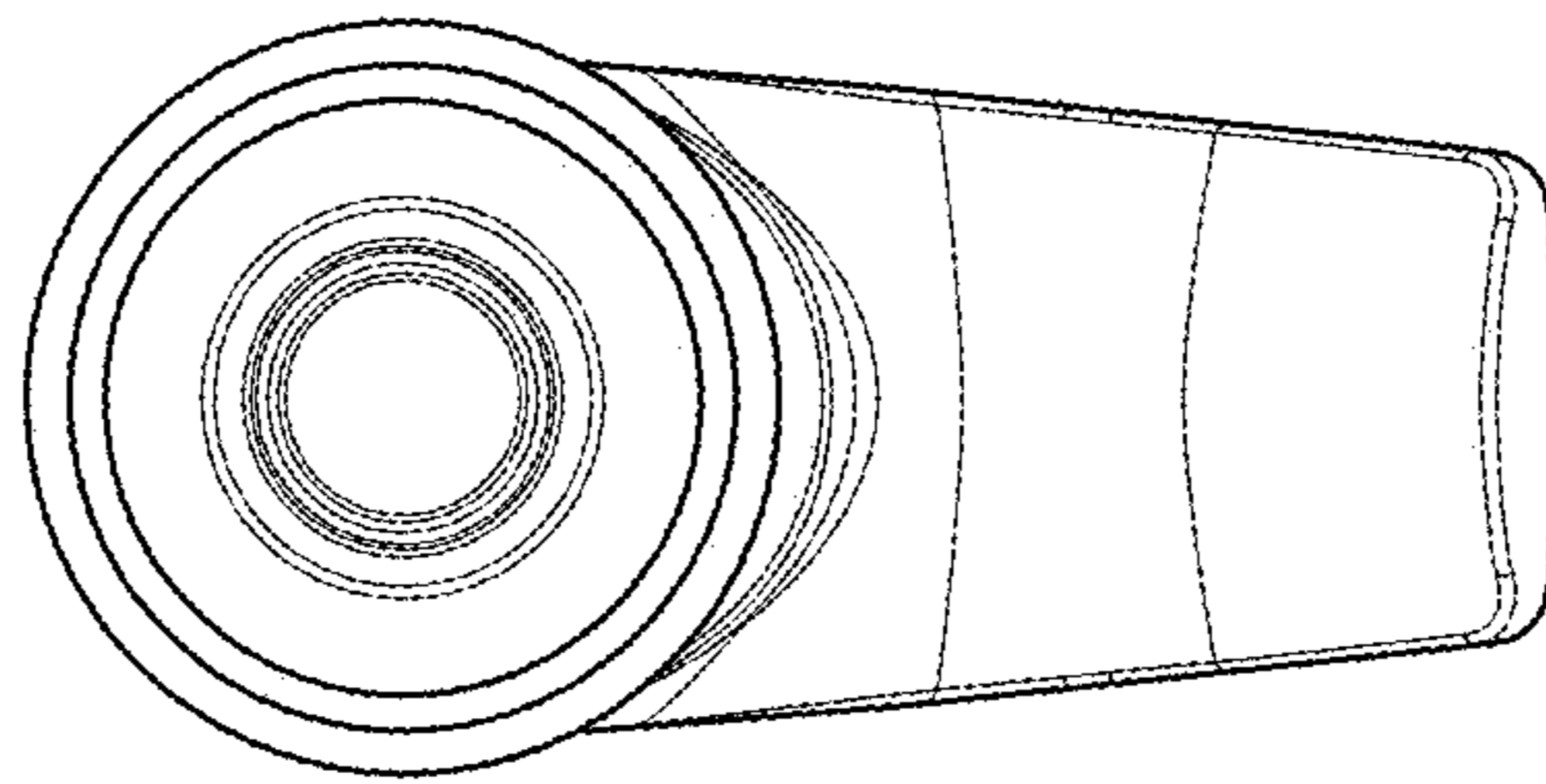


Fig. 1

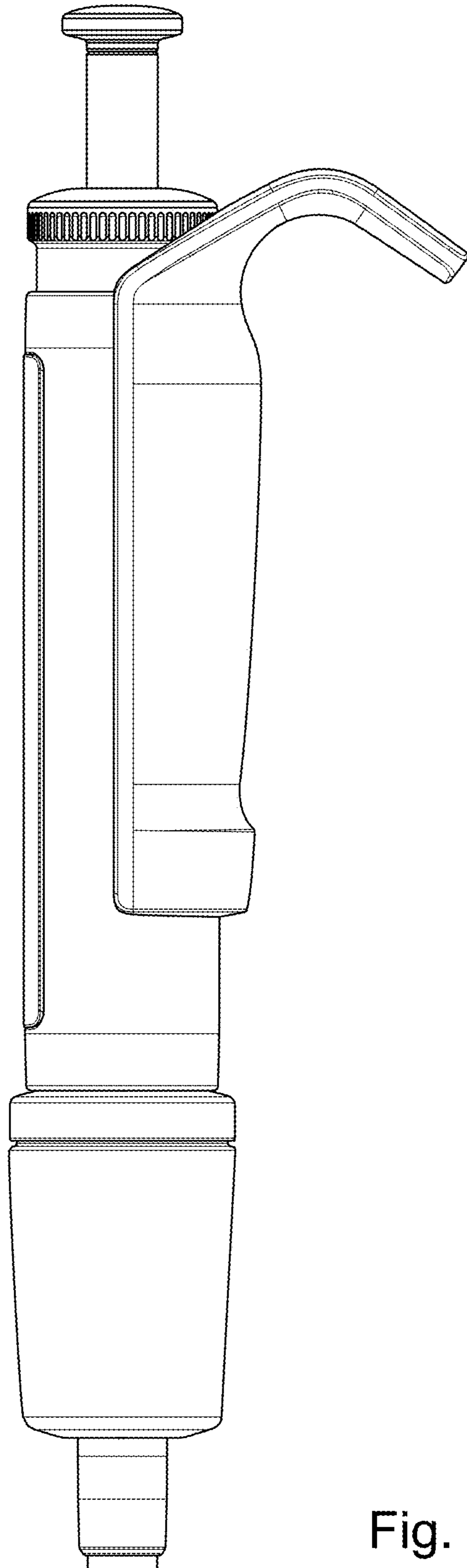


Fig. 2

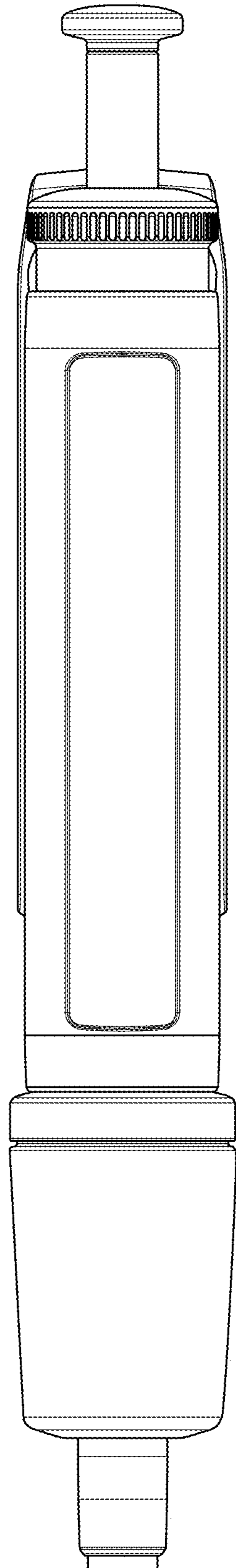


Fig. 3

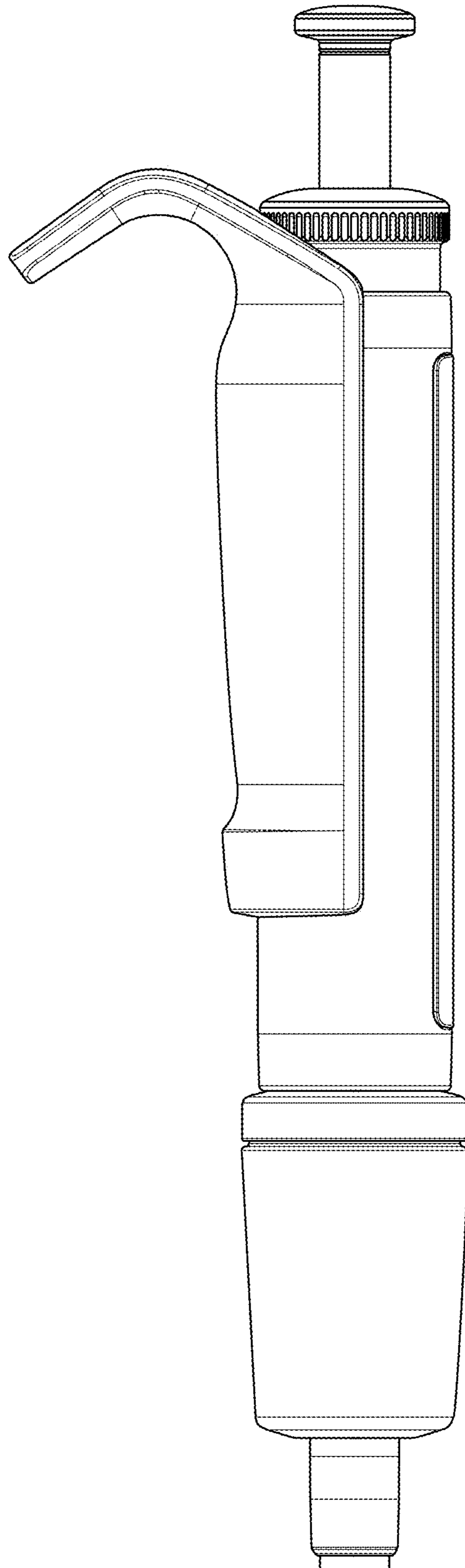


Fig. 4



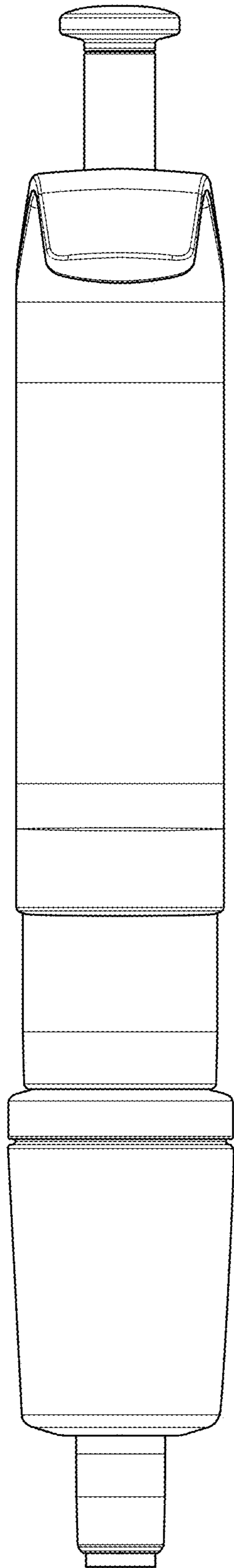


Fig. 5

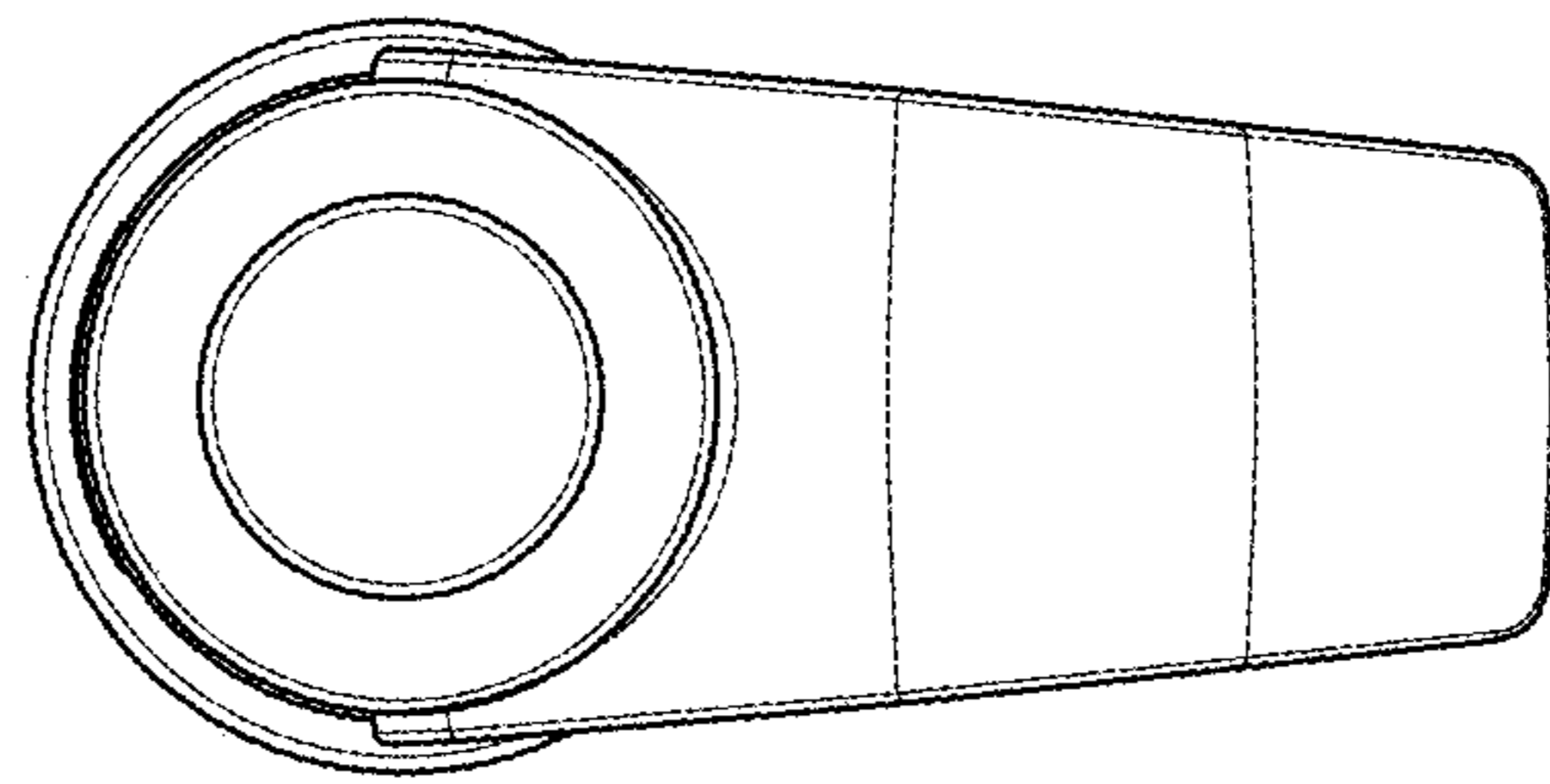


Fig. 6



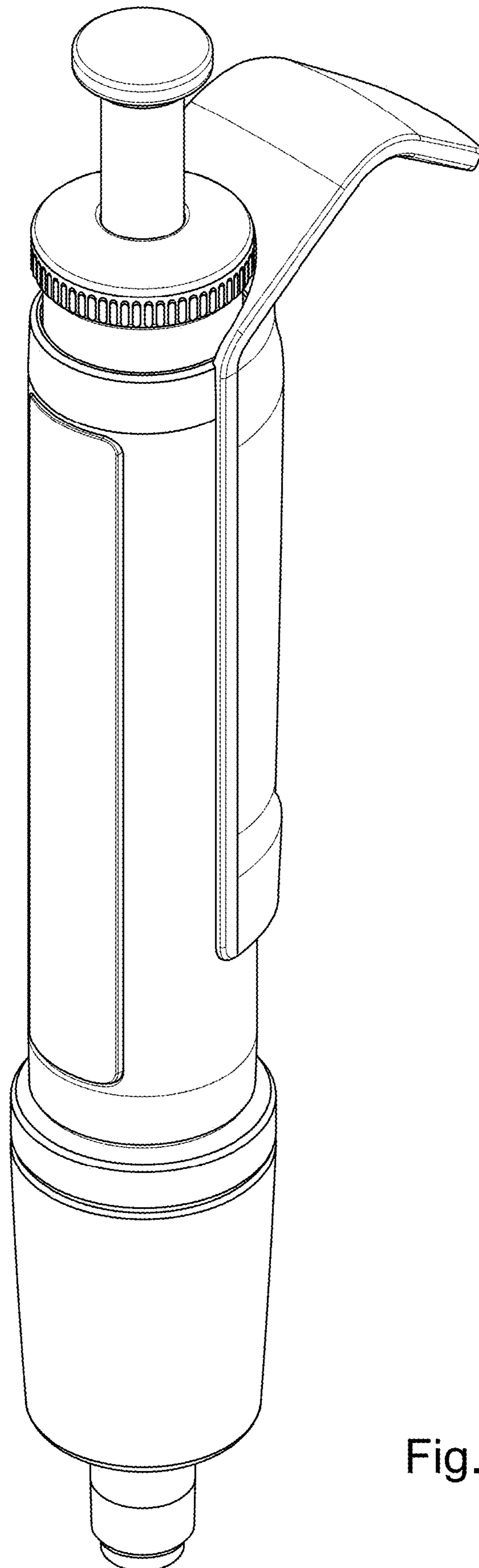


Fig. 7

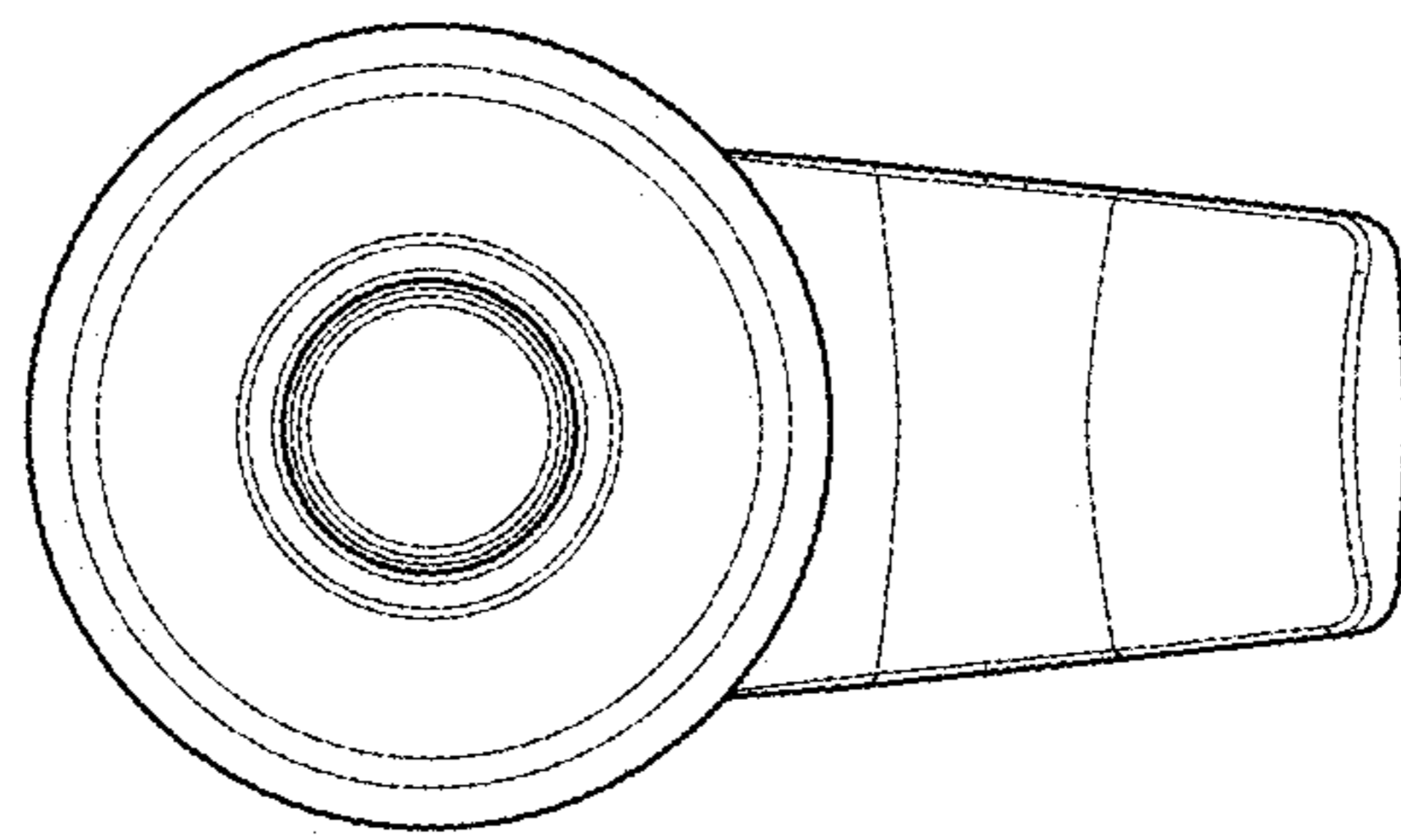


Fig. 8

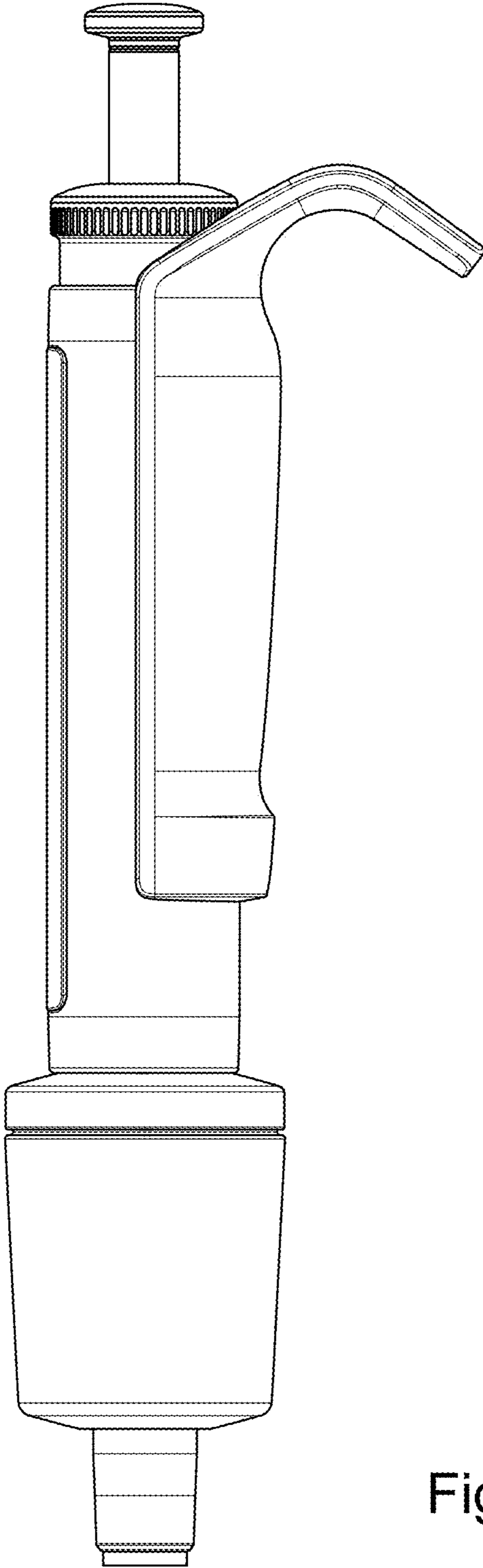


Fig. 9

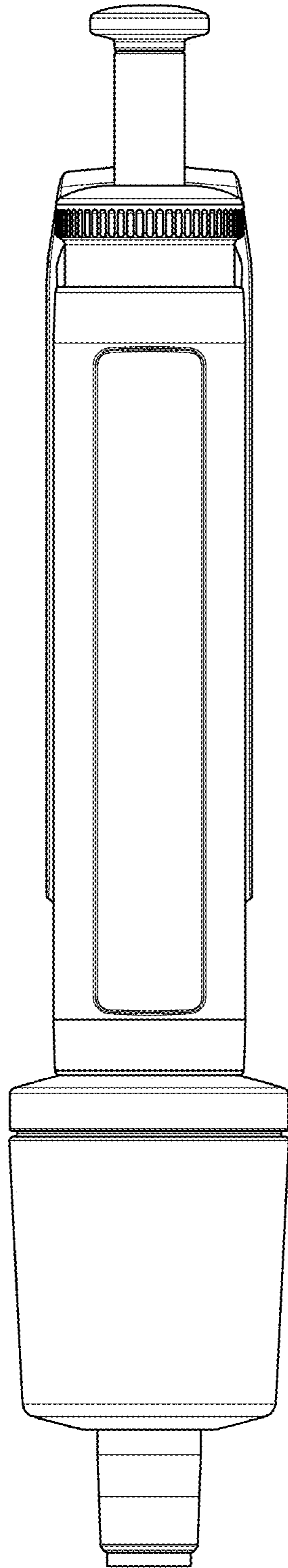


Fig. 10

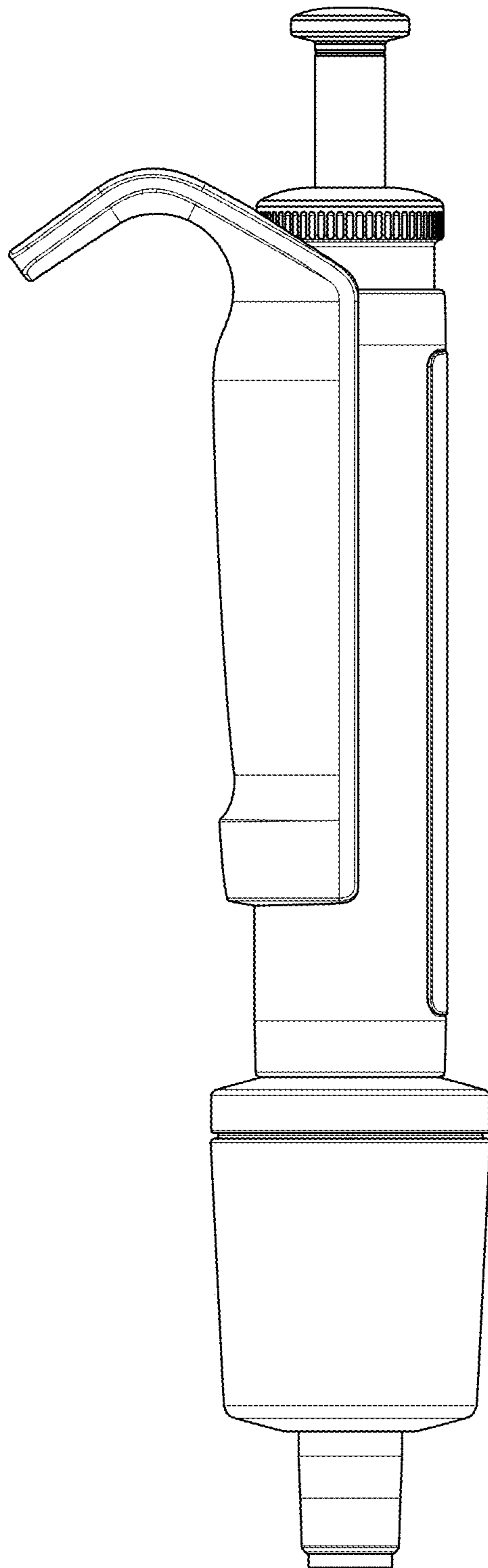


Fig. 11

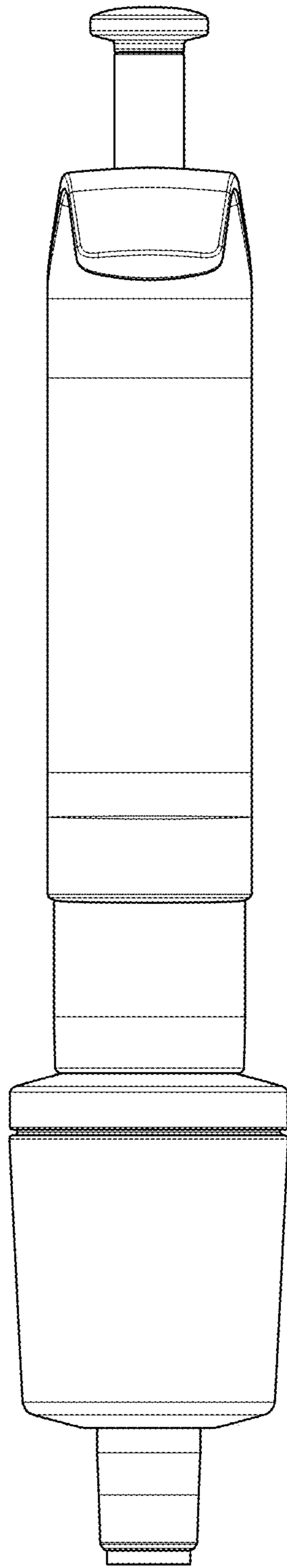


Fig. 12

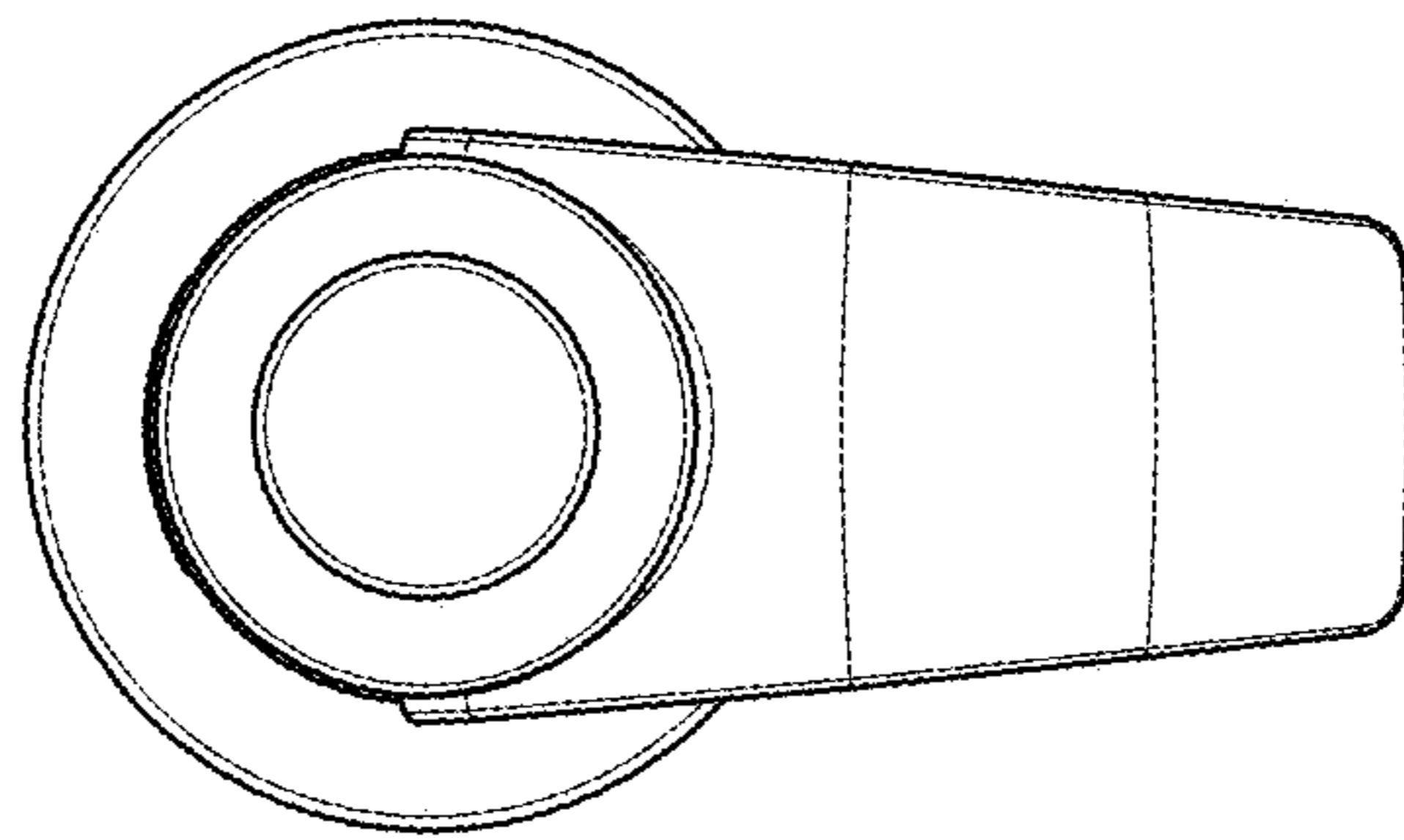


Fig. 13



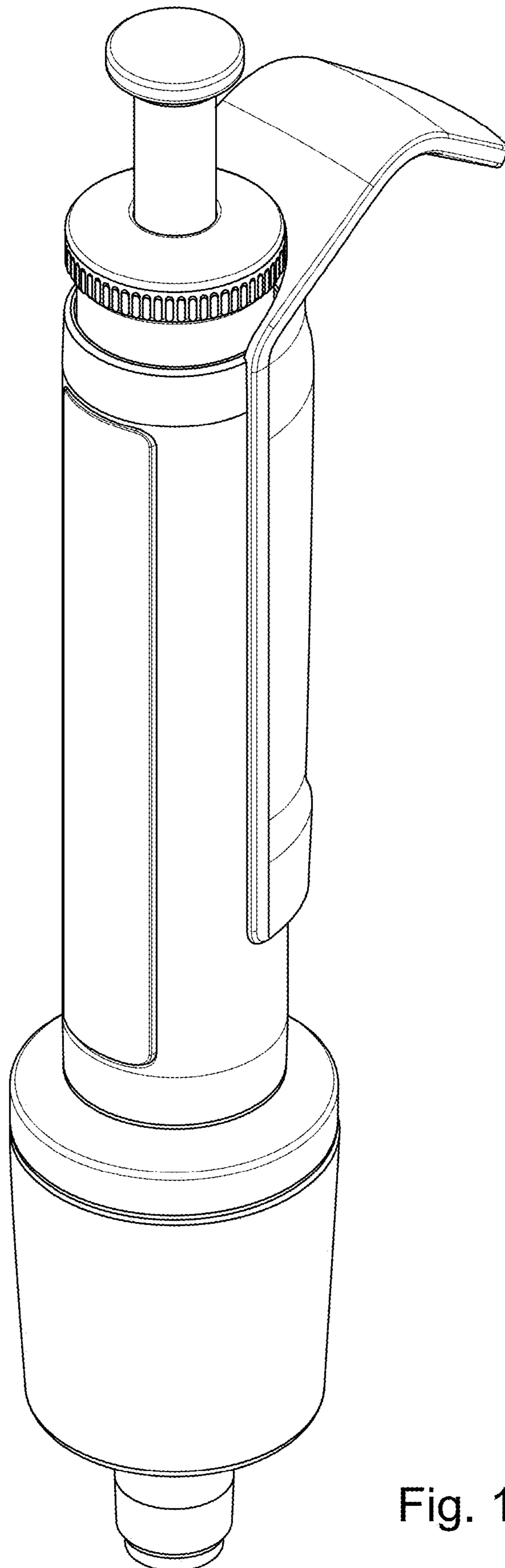


Fig. 14