



US00D917713S

(12) **United States Design Patent**
Zhou

(10) **Patent No.:** **US D917,713 S**

(45) **Date of Patent:** **** Apr. 27, 2021**

(54) **MASSAGER**

(71) Applicant: **Zhejiang Rifeng Electric Appliance CO. LTD**, Wenzhou (CN)

(72) Inventor: **Weifeng Zhou**, Wenzhou (CN)

(**) Term: **15 Years**

(21) Appl. No.: **29/720,311**

(22) Filed: **Jan. 10, 2020**

(51) **LOC (13) Cl.** **28-03**

(52) **U.S. Cl.**
USPC **D24/215**

(58) **Field of Classification Search**
USPC D24/200, 203, 205, 211, 212, 213, 214, D24/215
CPC A61H 2205/12; A61H 2201/164; A61H 2205/125; A61H 35/00; A61H 1/0266
See application file for complete search history.

D548,352 S * 8/2007 Maesawa D24/212
D548,353 S * 8/2007 Maesawa D24/212
7,273,461 B2 * 9/2007 Baek A61H 9/0078
601/134
D584,826 S * 1/2009 Ng D24/213
D590,065 S * 4/2009 Yuyama D24/212
D643,127 S * 8/2011 Lim D24/213
D648,859 S * 11/2011 Ng D24/212
D652,940 S * 1/2012 Byle D24/215
D783,847 S * 4/2017 Galati, Jr. D24/204
D846,752 S * 4/2019 Zhou D24/213
2003/0060741 A1 * 3/2003 Park A61H 35/006
601/20
2005/0137502 A1 * 6/2005 Harashima A61H 23/0254
601/84
2006/0059618 A1 * 3/2006 Chung A61H 33/6089
4/622
2007/0078362 A1 * 4/2007 Chen A61H 15/0078
601/94

(Continued)

Primary Examiner — Cynthia Ramirez
Assistant Examiner — Michael A Maharajh
(74) *Attorney, Agent, or Firm* — W&K IP

(56) **References Cited**

U.S. PATENT DOCUMENTS

D310,416 S * 9/1990 Yamasaki D24/211
5,107,822 A * 4/1992 Ohashi A61H 1/0237
482/79
D340,116 S * 10/1993 Ohashi D24/200
D340,529 S * 10/1993 Ohashi D24/200
D363,555 S * 10/1995 Lie D24/213
D379,661 S * 6/1997 You D24/213
D390,963 S * 2/1998 Scholpp D24/213
D419,682 S * 1/2000 Lie D24/213
D444,884 S * 7/2001 Huang D24/213
D477,415 S * 7/2003 Miyake D24/212
D487,514 S * 3/2004 Lie D24/213
D487,515 S * 3/2004 Lie D24/213
D524,947 S * 7/2006 Gleason D24/213
D527,460 S * 8/2006 Kawamura D24/200
D535,402 S * 1/2007 Lifeng D24/200
D535,751 S * 1/2007 Lifeng D24/200

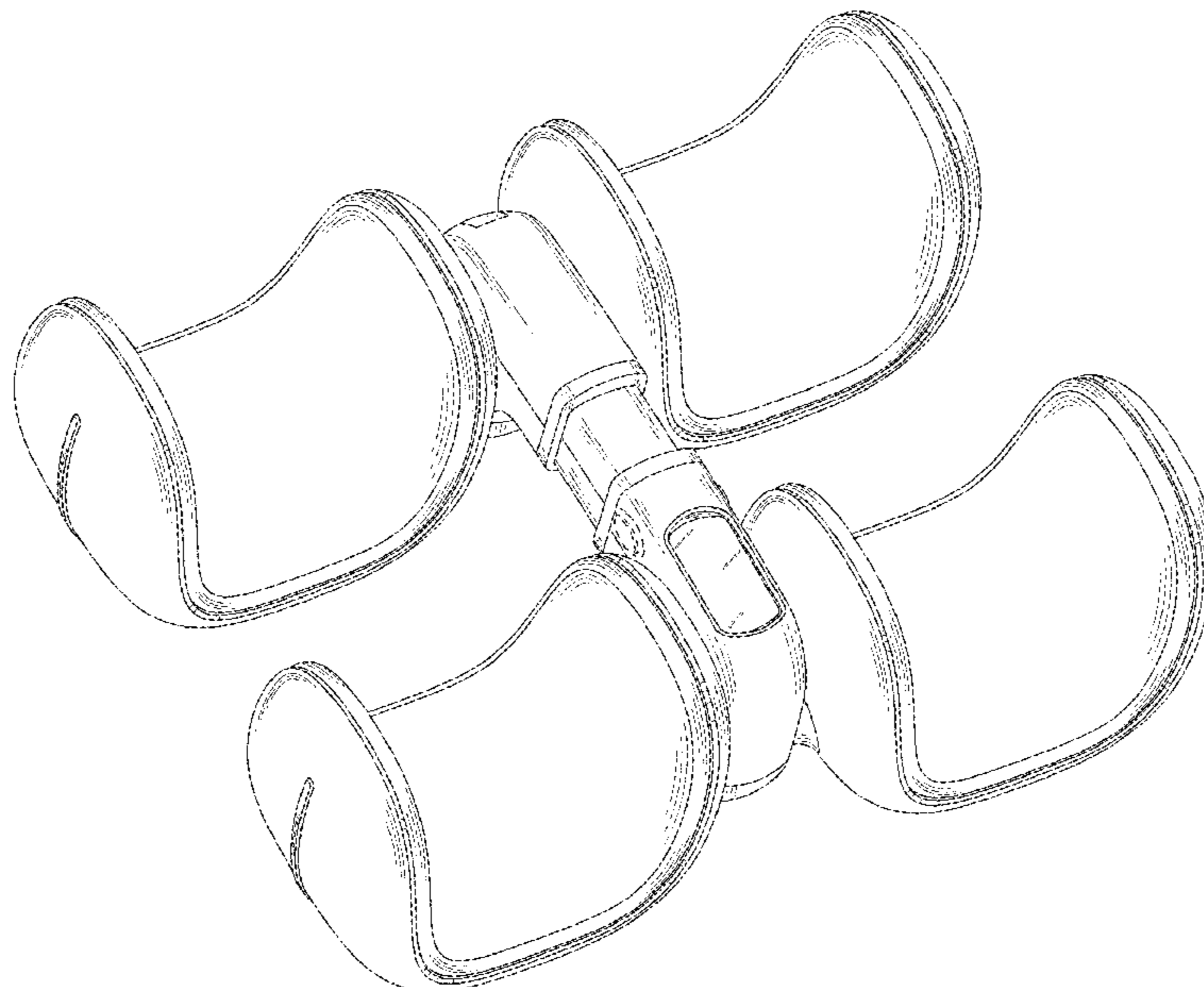
(57) **CLAIM**

The ornamental design for a massager, as shown and described.

DESCRIPTION

FIG. 1 is a perspective view of a massager; FIG. 2 is a front elevational view thereof; FIG. 3 is a rear elevational view thereof; FIG. 4 is a left elevational view thereof; FIG. 5 is a right elevational view thereof; FIG. 6 is a top plan view thereof; FIG. 7 is a bottom plan view thereof; and, FIG. 8 is another perspective view thereof. The evenly broken lines where present illustrate portions of the massager that form no part of the claimed design.

1 Claim, 8 Drawing Sheets



(56)

References Cited

U.S. PATENT DOCUMENTS

2007/0232968 A1* 10/2007 Watanabe A61H 7/001
601/90
2012/0095375 A1* 4/2012 Ishiguro A61H 7/007
601/112
2020/0029749 A1* 1/2020 Wade A47K 7/026

* cited by examiner

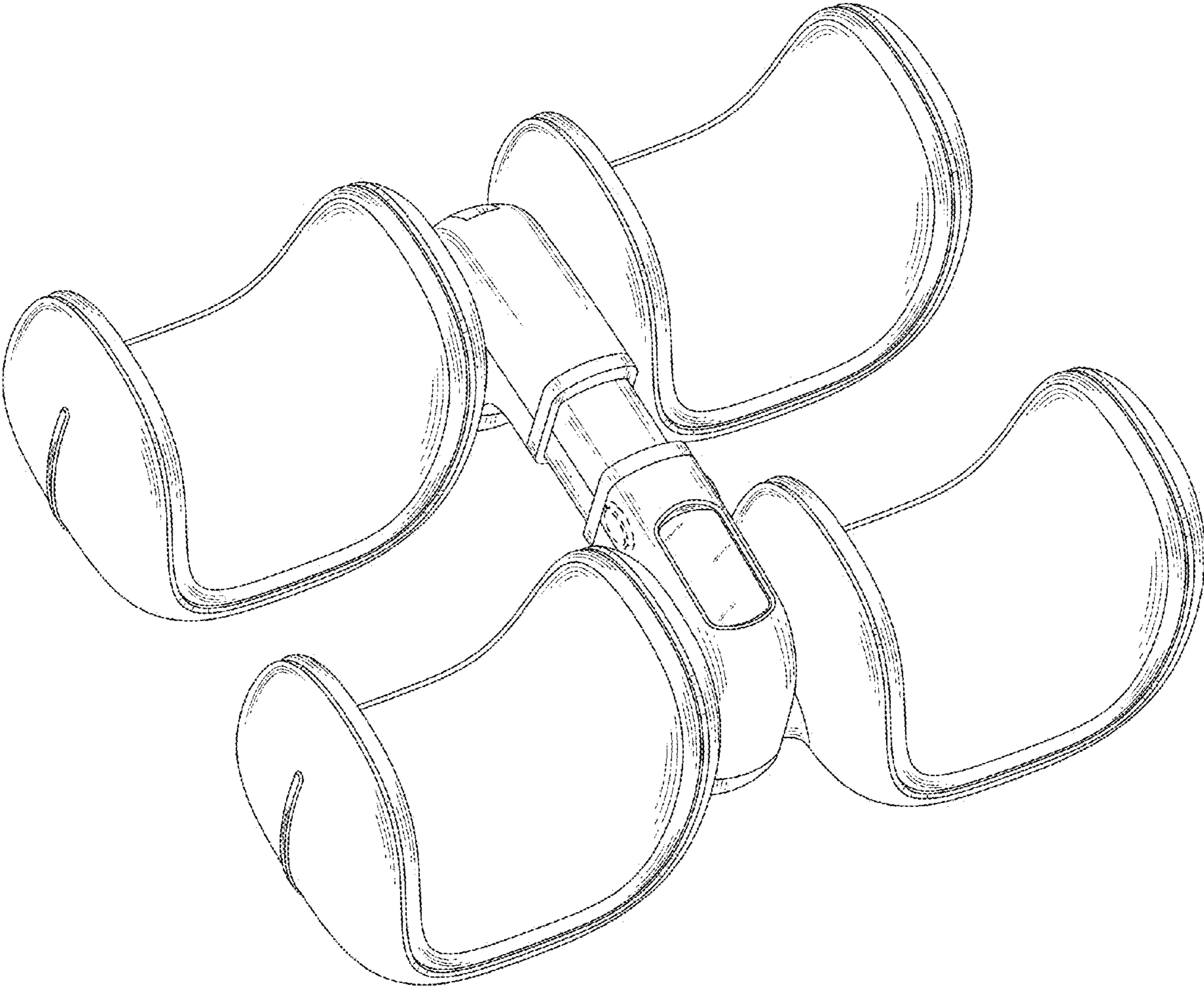


FIG.1

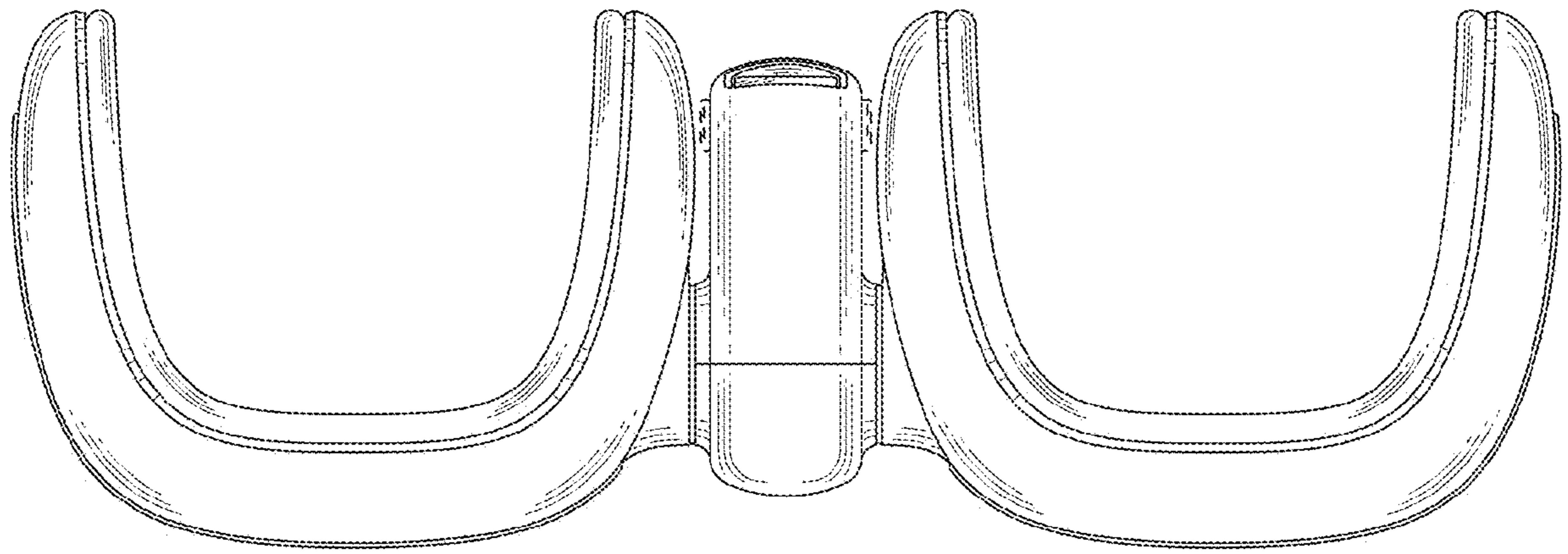


FIG.2

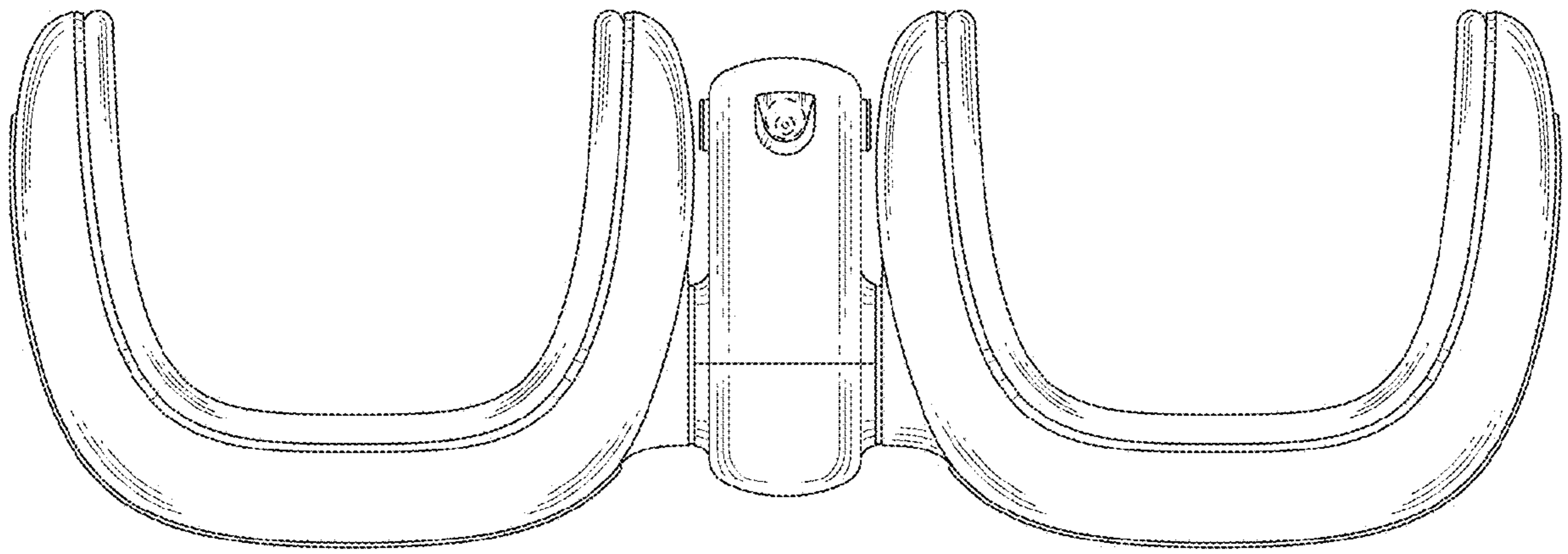


FIG.3

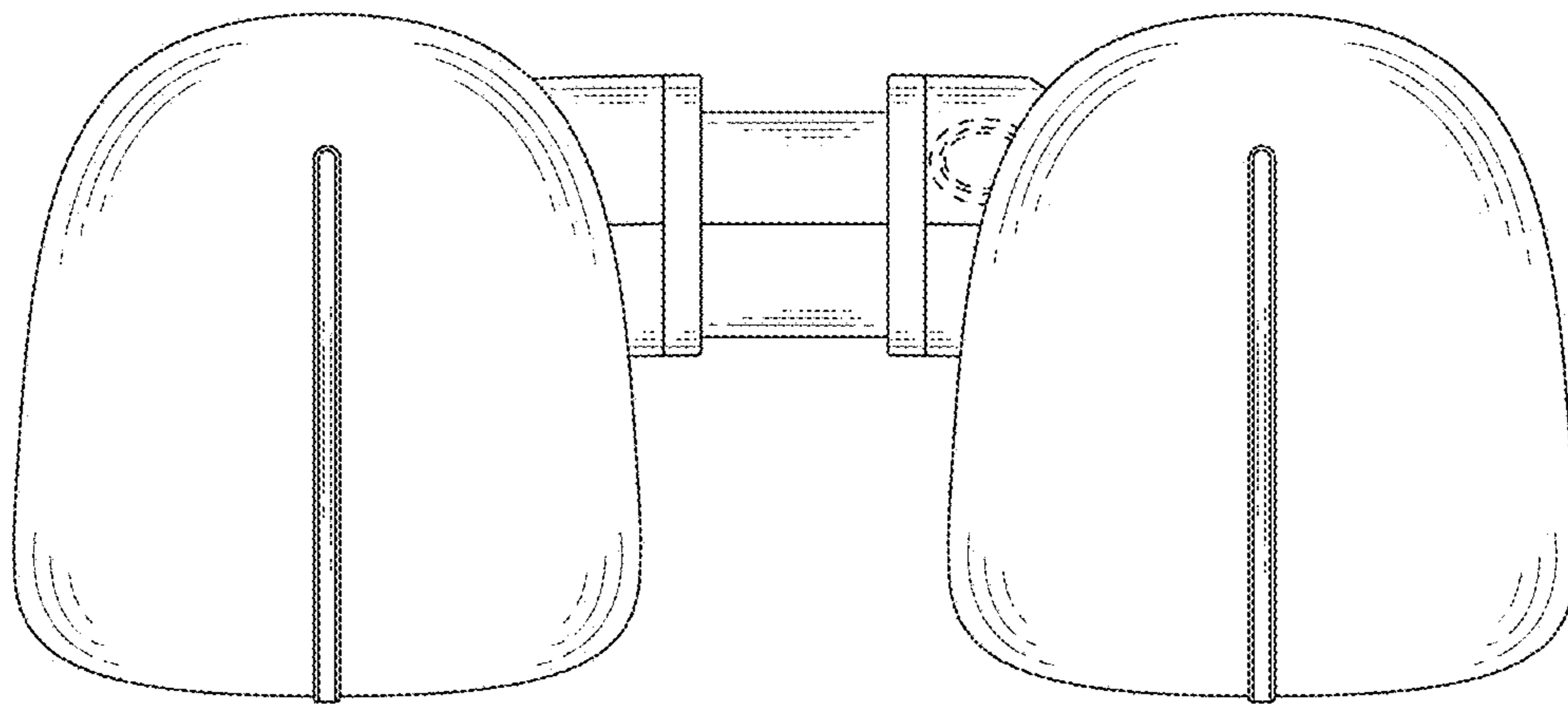


FIG.4

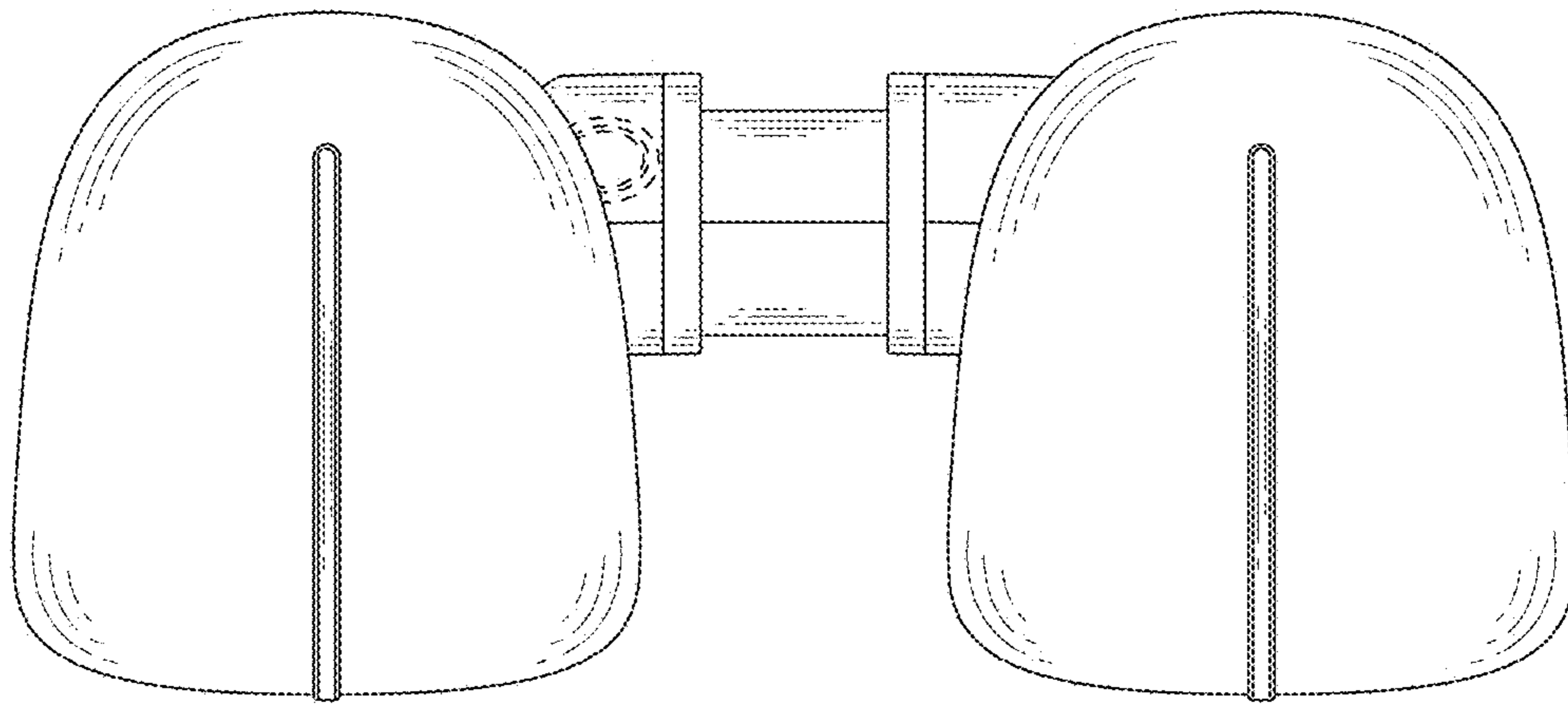


FIG.5

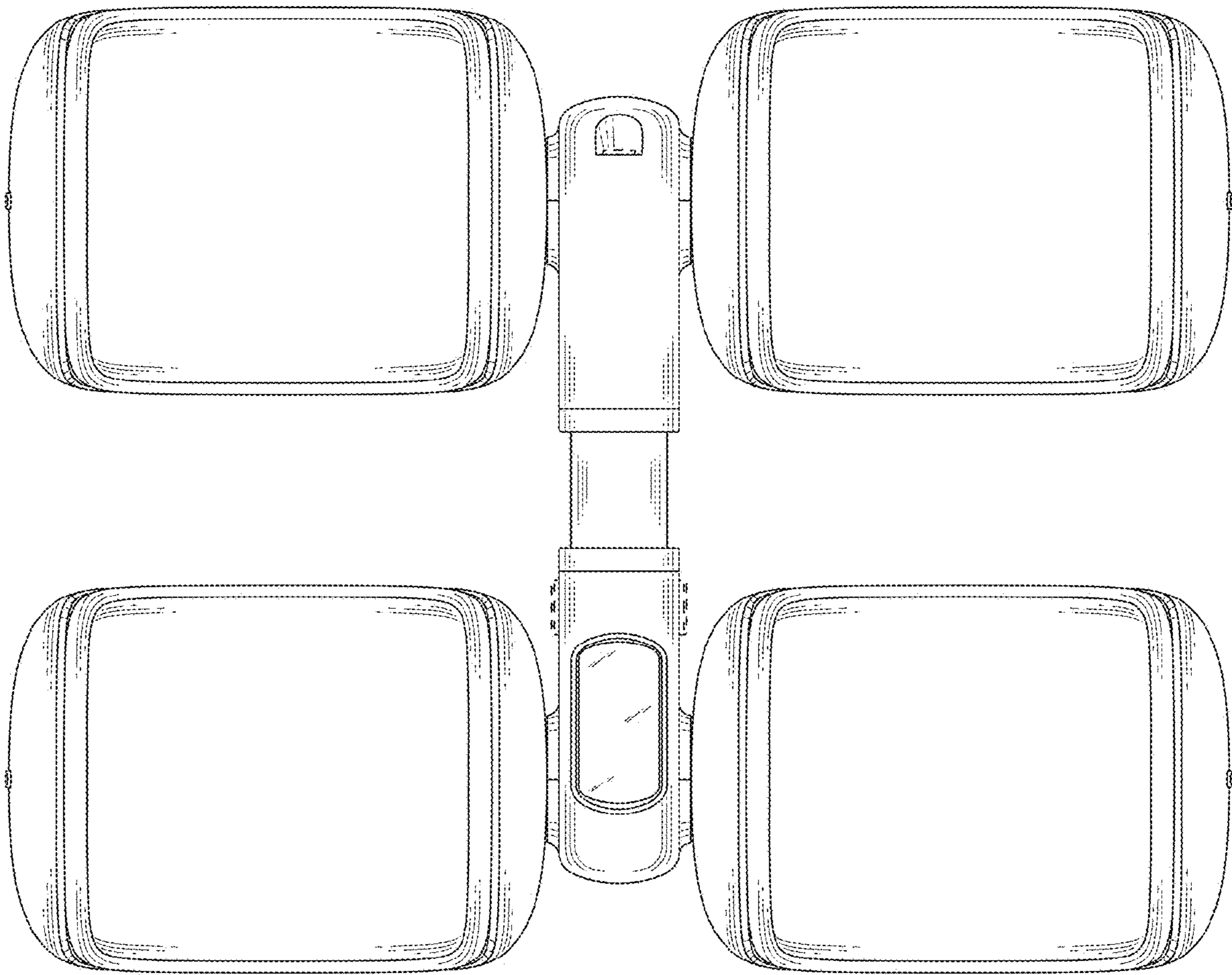


FIG.6

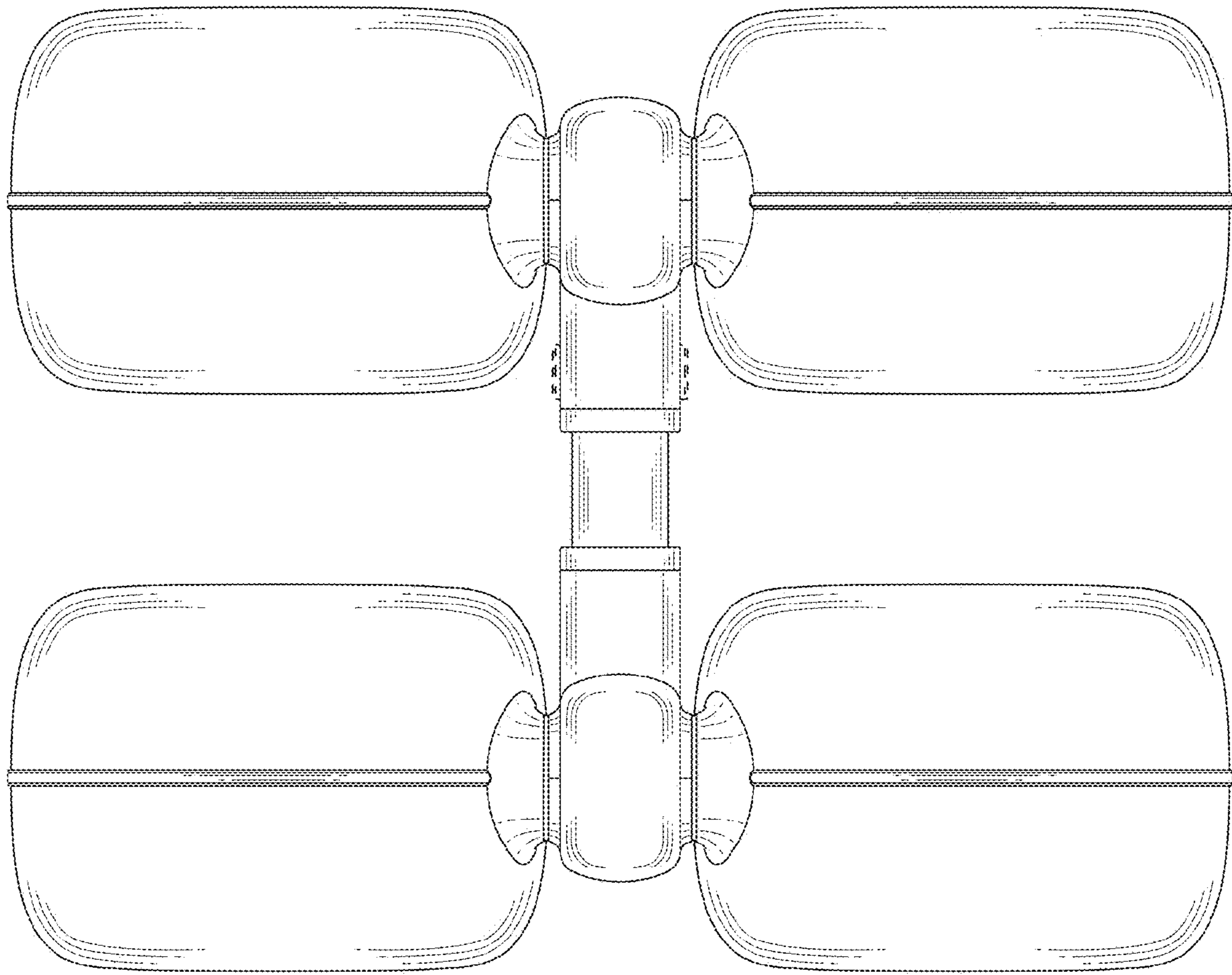


FIG.7

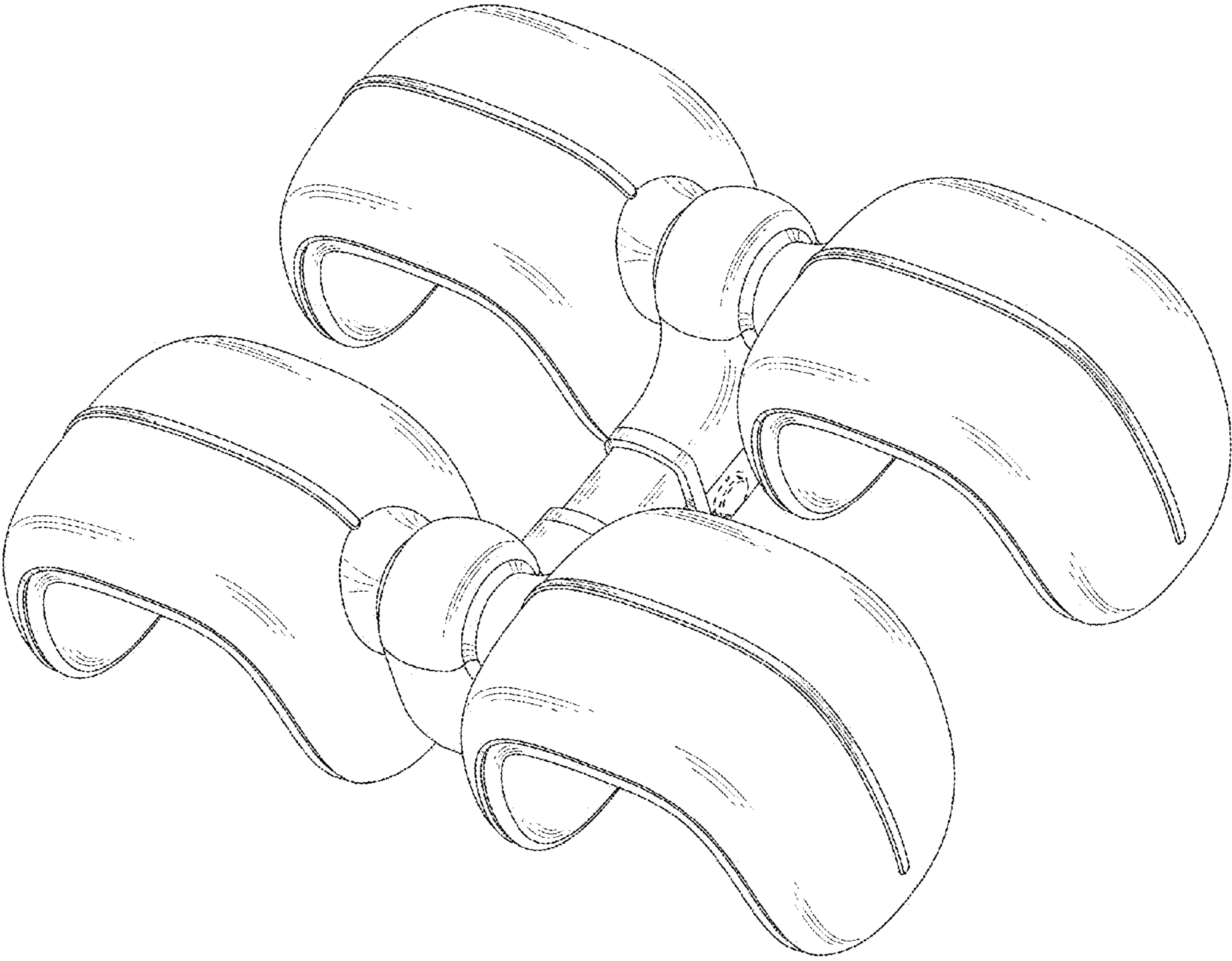


FIG. 8