



US00D917712S

(12) **United States Design Patent** (10) **Patent No.:** **US D917,712 S**  
**McDevitt et al.** (45) **Date of Patent:** **\*\* Apr. 27, 2021**

(54) **HANDHELD MEDITATION TRAINER**

D861,912 S \* 10/2019 Ehret ..... D24/215  
D870,908 S \* 12/2019 Hyder ..... A61H 15/00  
D24/211  
D876,655 S \* 2/2020 Lin ..... D24/200

(Continued)

(71) Applicant: **Core Wellness, Inc.**, San Francisco, CA (US)

(72) Inventors: **Sarah McDevitt**, San Francisco, CA (US); **Brian Bolze**, San Francisco, CA (US); **Bashir Ziady**, San Francisco, CA (US); **Josh Harris**, San Francisco, CA (US); **Colin Jackson**, San Francisco, CA (US); **Samuel Starr**, San Francisco, CA (US); **Coby Ben-Poorat**, San Francisco, CA (US); **David Mallard**, San Francisco, CA (US)

(73) Assignee: **Core Wellness, Inc.**, San Francisco, CA (US)

(\*\*) Term: **15 Years**

(21) Appl. No.: **29/649,515**

(22) Filed: **May 30, 2018**

(51) **LOC (13) Cl.** ..... **28-03**

(52) **U.S. Cl.**  
USPC ..... **D24/214**

(58) **Field of Classification Search**  
USPC ..... D24/200, 211, 212, 213, 214, 215  
CPC ..... A61H 7/001; A61H 2015/0028; A61H 2201/169; A61H 39/04; A61H 7/007  
See application file for complete search history.

(56) **References Cited**

U.S. PATENT DOCUMENTS

D319,105 S \* 8/1991 Cheng ..... D24/215  
D403,076 S \* 12/1998 York ..... D24/214  
D502,264 S \* 2/2005 Timmer ..... D24/211  
D715,935 S \* 10/2014 Huntington ..... D24/146  
D731,667 S \* 6/2015 Elenga ..... D24/215  
D765,873 S \* 9/2016 Hetzel ..... D24/214  
D820,993 S \* 6/2018 Huang ..... D24/215  
D844,800 S \* 4/2019 Ehret ..... D24/215

OTHER PUBLICATIONS

Trendhunter, "The Core Meditation Trainer", Jan. 8, 2020. <https://www.trendhunter.com/trends/core-meditation-trainer>. Shown on p. 1. (Year: 2020).\*

*Primary Examiner* — Cynthia Ramirez  
*Assistant Examiner* — Michael A Maharajh  
(74) *Attorney, Agent, or Firm* — Run8 Patent Group, LLC; Peter Miller

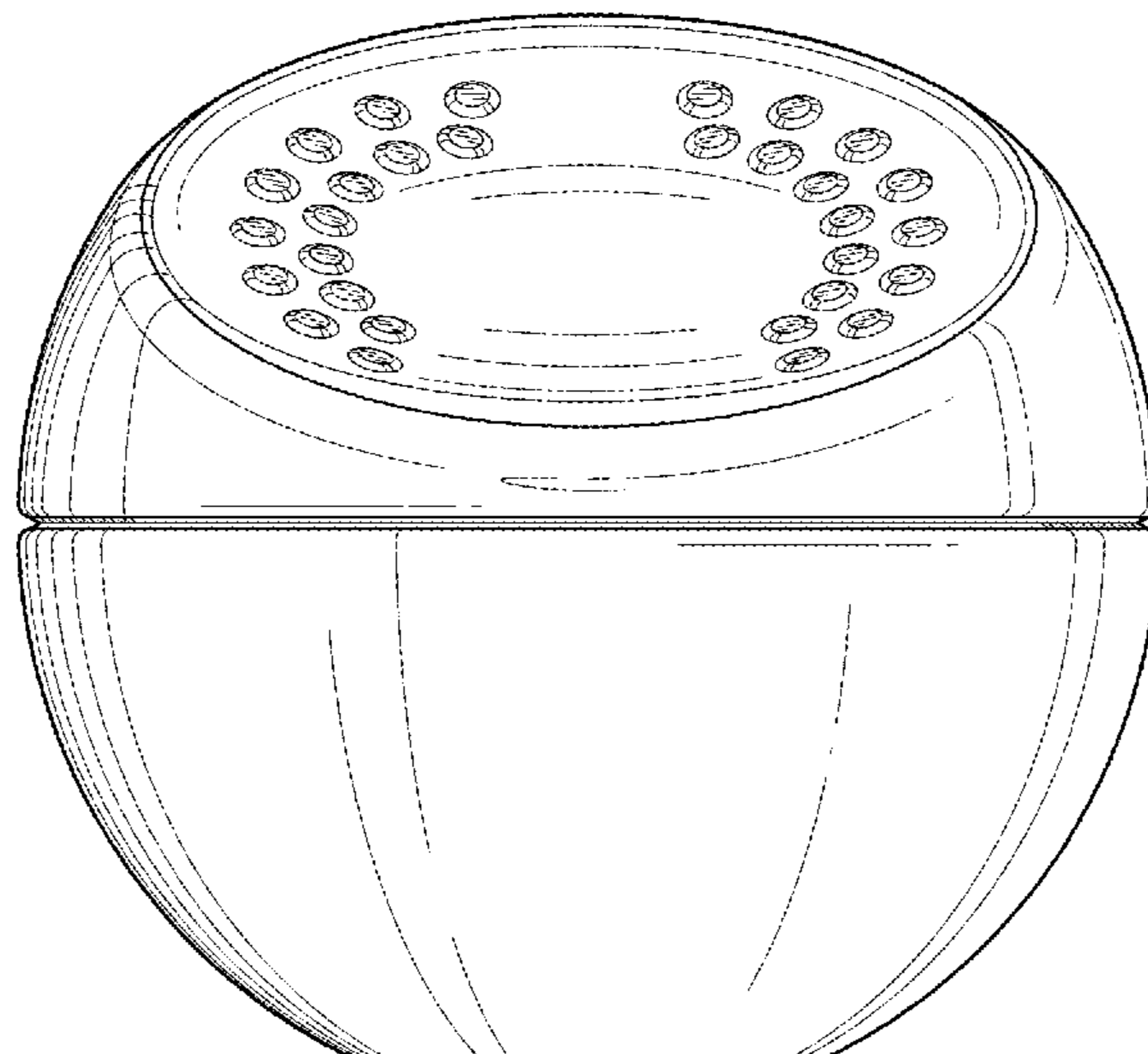
(57) **CLAIM**

The ornamental design for a handheld meditation trainer, as shown and described.

**DESCRIPTION**

FIG. 1 is a front elevation view of a handheld meditation trainer.  
FIG. 2 is a left elevation view of the handheld meditation trainer.  
FIG. 3 is a right side elevation view of the handheld meditation trainer.  
FIG. 4 is a rear elevation view of the handheld meditation trainer.  
FIG. 5 is a top plan view of the handheld meditation trainer.  
FIG. 6 is a bottom plan view of the handheld meditation trainer.  
FIG. 7 a front upper right isometric view of the handheld meditation trainer; and,  
FIG. 8 a rear upper left isometric view of the handheld meditation trainer.  
The broken lines shown in the FIGURES depict portions of the handheld meditation trainer that form no part of the claimed design.

**1 Claim, 5 Drawing Sheets**



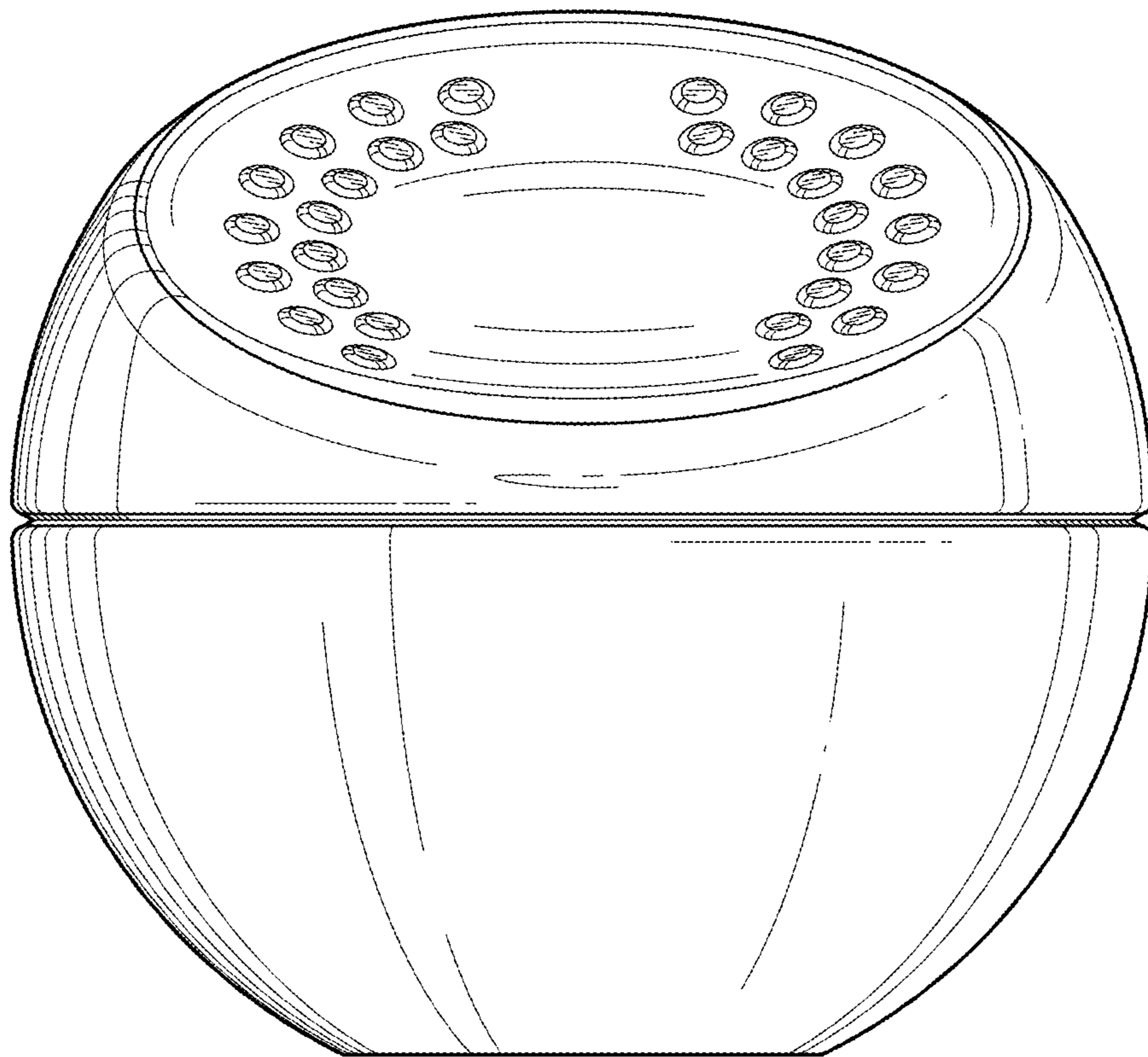
(56)

**References Cited**

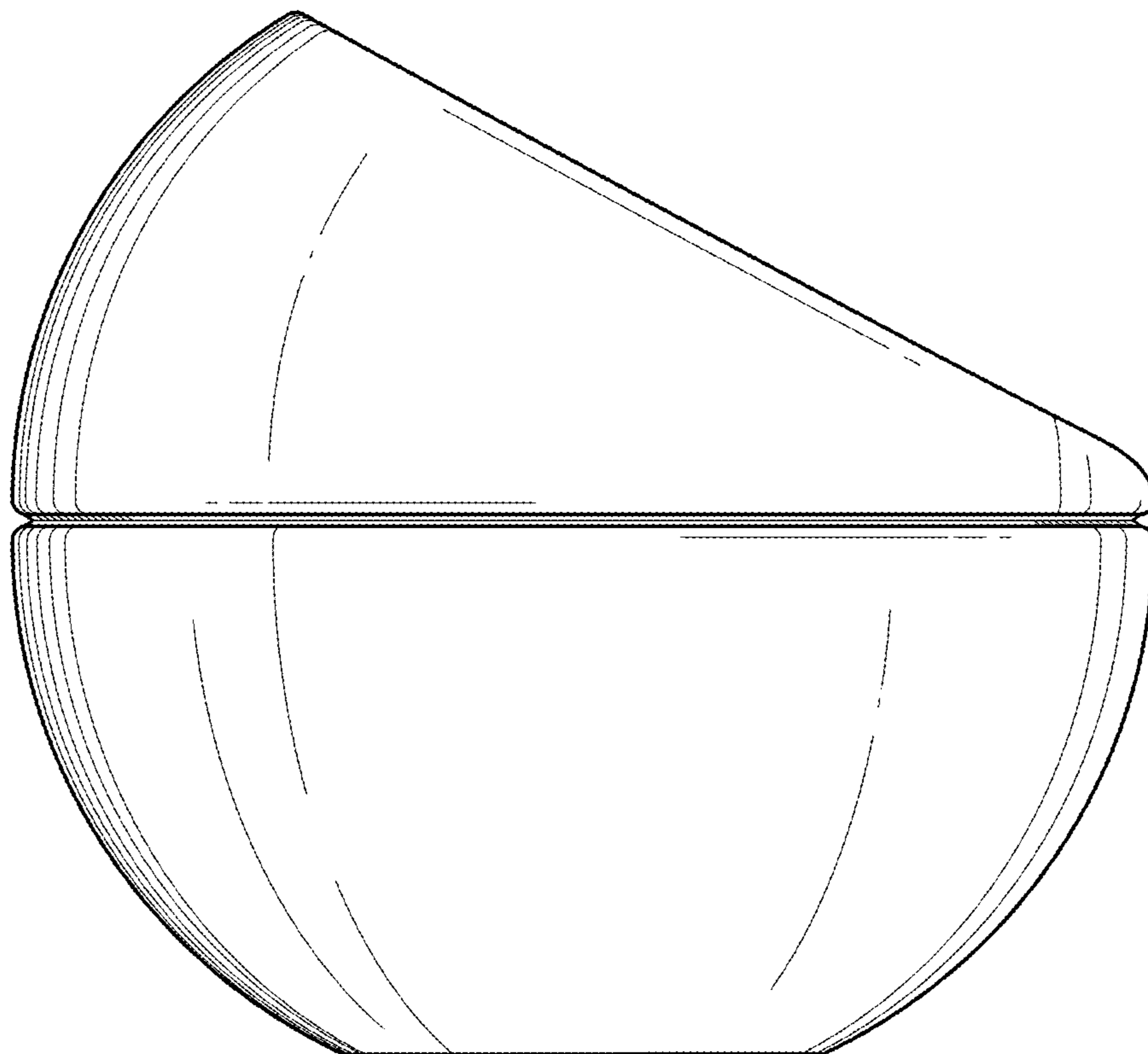
U.S. PATENT DOCUMENTS

D877,349 S \* 3/2020 Jeon ..... D24/200  
D878,616 S \* 3/2020 Lin ..... D24/200  
D888,979 S \* 6/2020 Chernyavskiy ..... D24/214  
2003/0084586 A1\* 5/2003 Lo ..... A61H 9/0071  
34/96  
2014/0336550 A1\* 11/2014 Zedaker ..... A61H 39/04  
601/131  
2015/0057579 A1\* 2/2015 Martinez ..... A61H 15/0092  
601/19

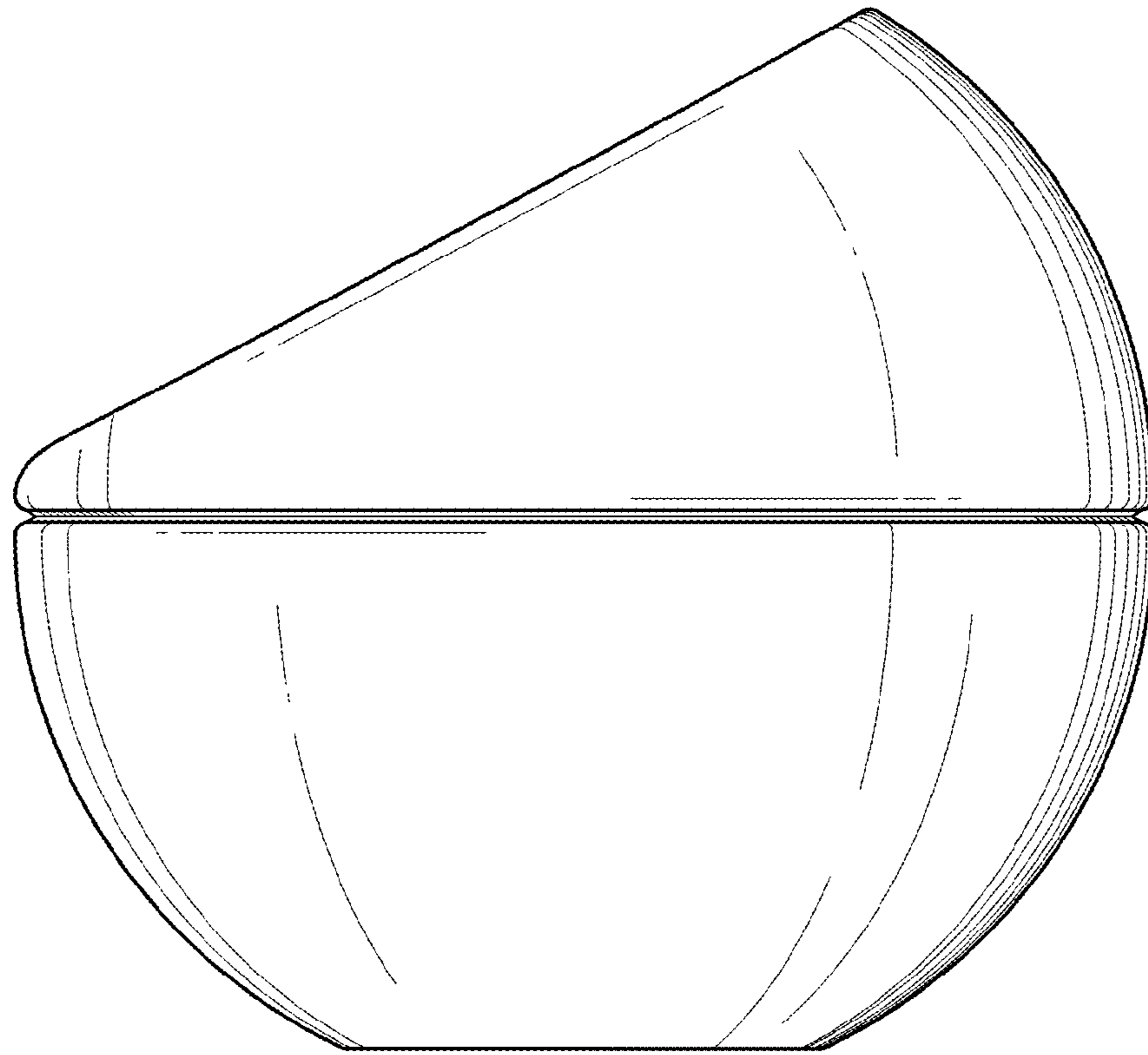
\* cited by examiner



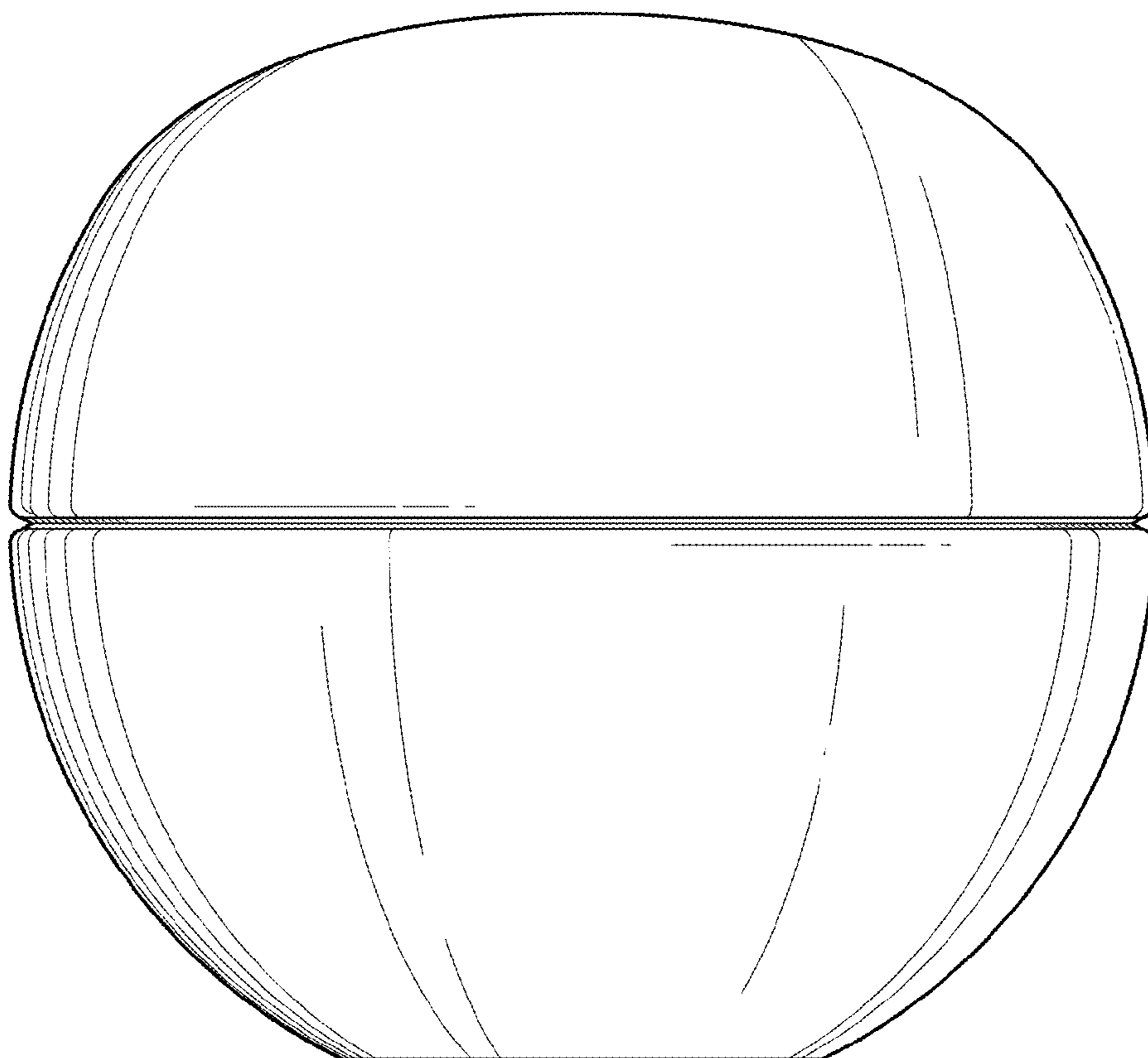
**FIG. 1**



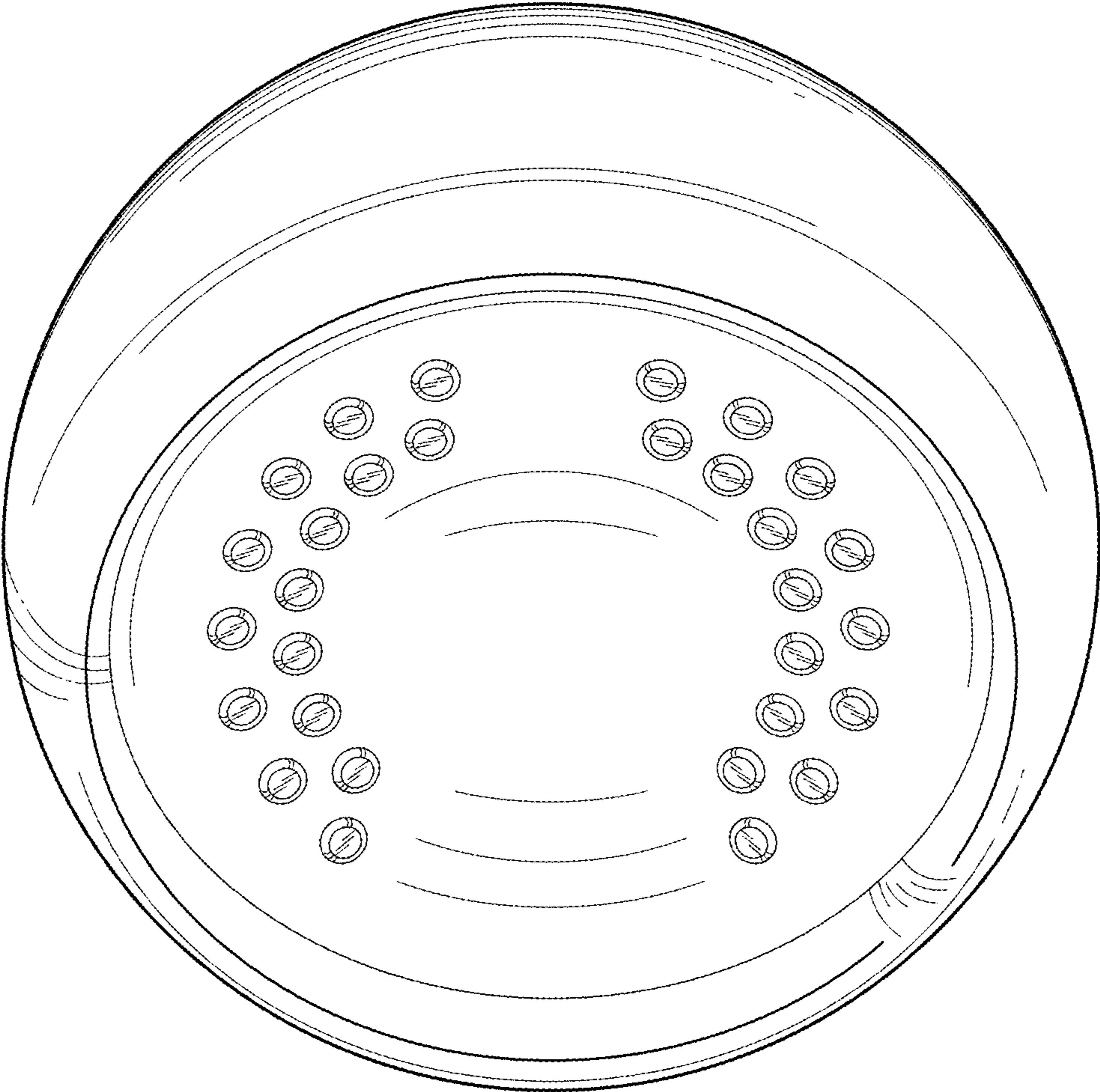
**FIG. 2**



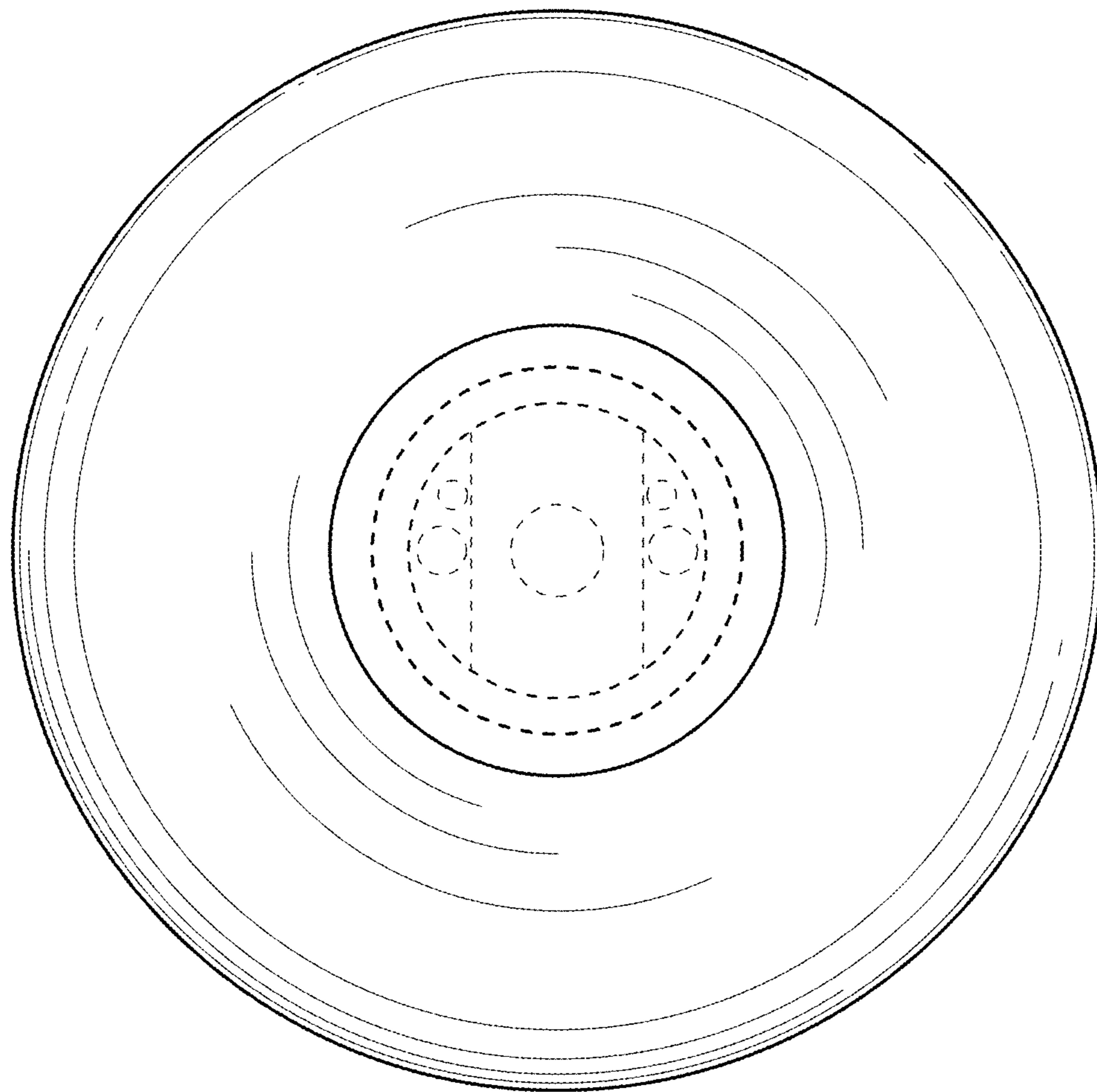
**FIG. 3**



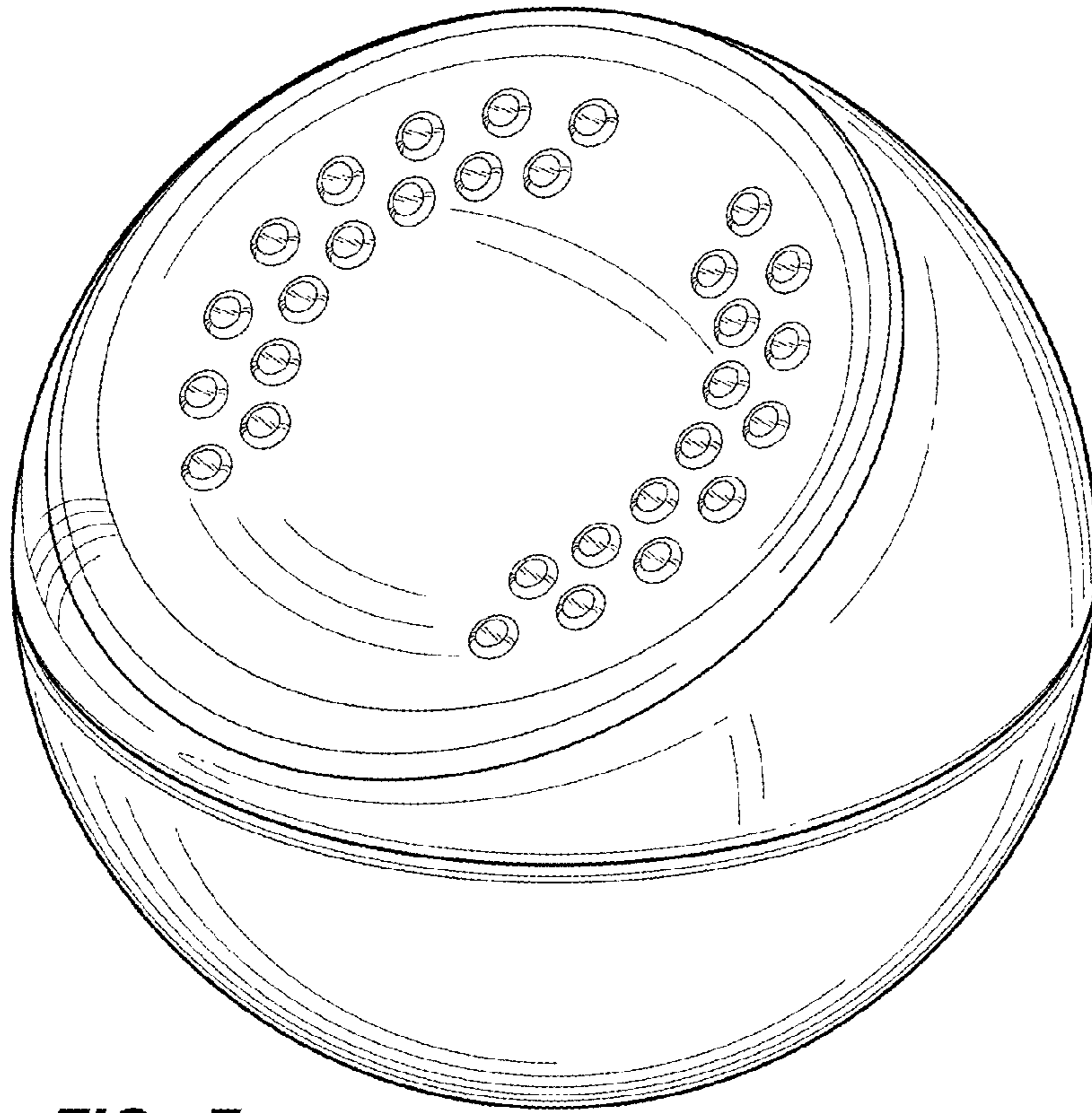
**FIG. 4**



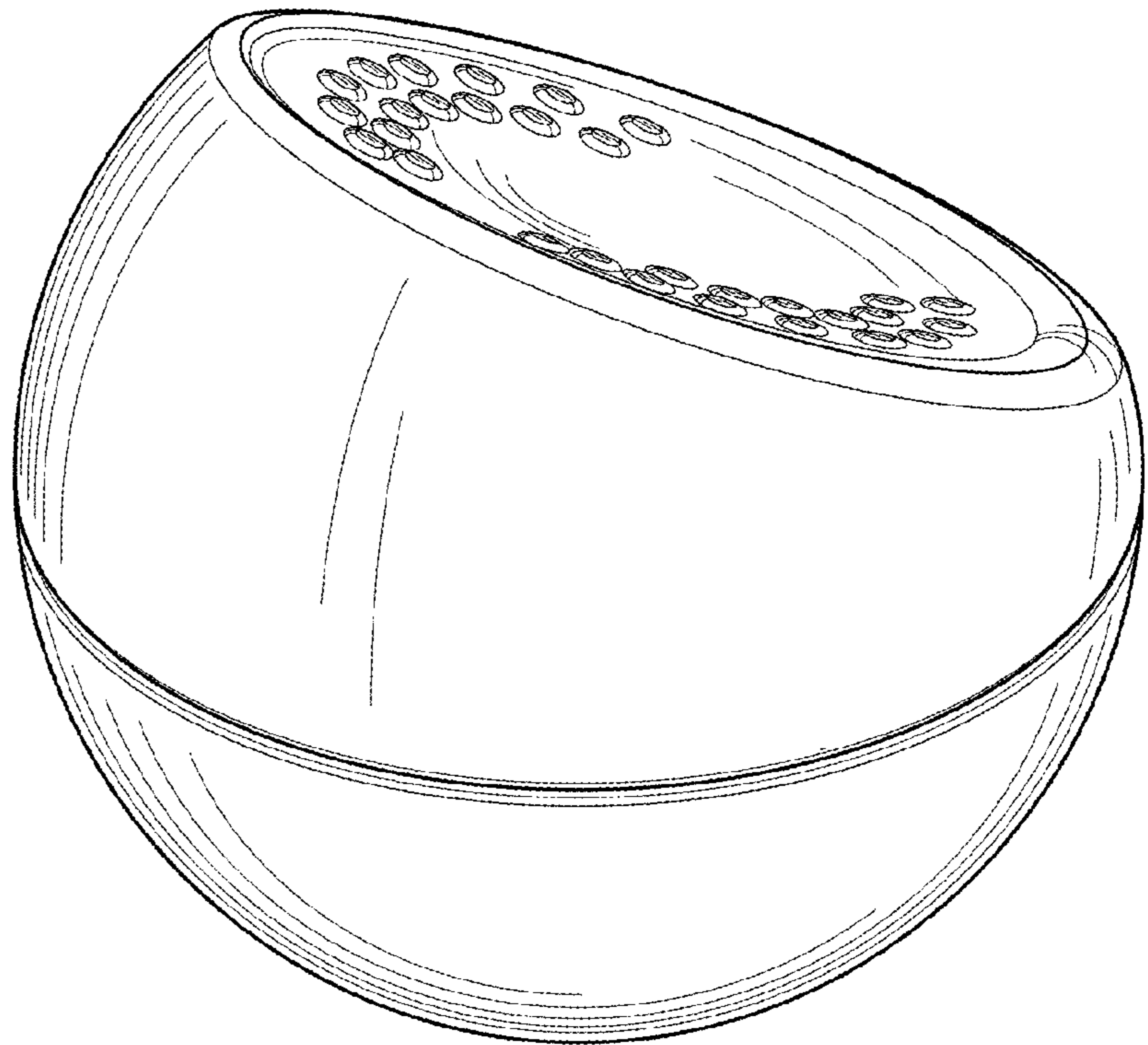
**FIG. 5**



**FIG. 6**



**FIG. 7**



**FIG. 8**