



US00D917710S

(12) **United States Design Patent**
Li

(10) **Patent No.:** **US D917,710 S**

(45) **Date of Patent:** **** Apr. 27, 2021**

(54) **WAX WARMER**

(71) Applicant: **Zhenhao Li**, Guangzhou (CN)

(72) Inventor: **Zhenhao Li**, Guangzhou (CN)

(**) Term: **15 Years**

(21) Appl. No.: **29/752,773**

(22) Filed: **Sep. 29, 2020**

(51) **LOC (13) Cl.** **28-03**

(52) **U.S. Cl.**
USPC **D24/200**

(58) **Field of Classification Search**
USPC D24/200, 204; D7/323
CPC A61L 9/03; H05B 3/00; H05B 3/0052;
H05B 3/26; H05B 2203/021; A47J
36/2433; A47J 27/004
See application file for complete search history.

(56) **References Cited**

U.S. PATENT DOCUMENTS

- D442,284 S * 5/2001 Ferber D24/200
- D478,384 S * 8/2003 Lie D24/200
- 9,526,809 B2 * 12/2016 Pizzini A61L 9/03
- D838,859 S * 1/2019 Yu D24/200
- 10,207,018 B2 * 2/2019 Gasper A61L 9/03

- D857,215 S 8/2019 Lin
- 10,524,311 B2 * 12/2019 Belongia A61L 9/03
- D909,592 S * 2/2021 Li D24/200

* cited by examiner

Primary Examiner — Wan Laymon

(57) **CLAIM**

The ornamental design for a wax warmer, as shown and described.

DESCRIPTION

FIG. 1 is a front and top perspective view of a wax warmer, showing my new design;
 FIG. 2 is a rear and bottom perspective view thereof;
 FIG. 3 is a front elevational view thereof;
 FIG. 4 is a rear elevational view thereof;
 FIG. 5 is a left side elevational view thereof;
 FIG. 6 is a right side elevational view thereof;
 FIG. 7 is a top plan view thereof;
 FIG. 8 is a bottom plan view thereof; and,
 FIG. 9 is an enlarged view of a portion labeled, 'FIG. 9' in FIG. 1.

The dashed broken lines in the figures illustrate portions of the article that form no part of the claimed design. The dash dot dash lines in FIGS. 1 and 9 are for the purpose of depicting the cut line of the enlarged view and form no part of the claim.

1 Claim, 9 Drawing Sheets

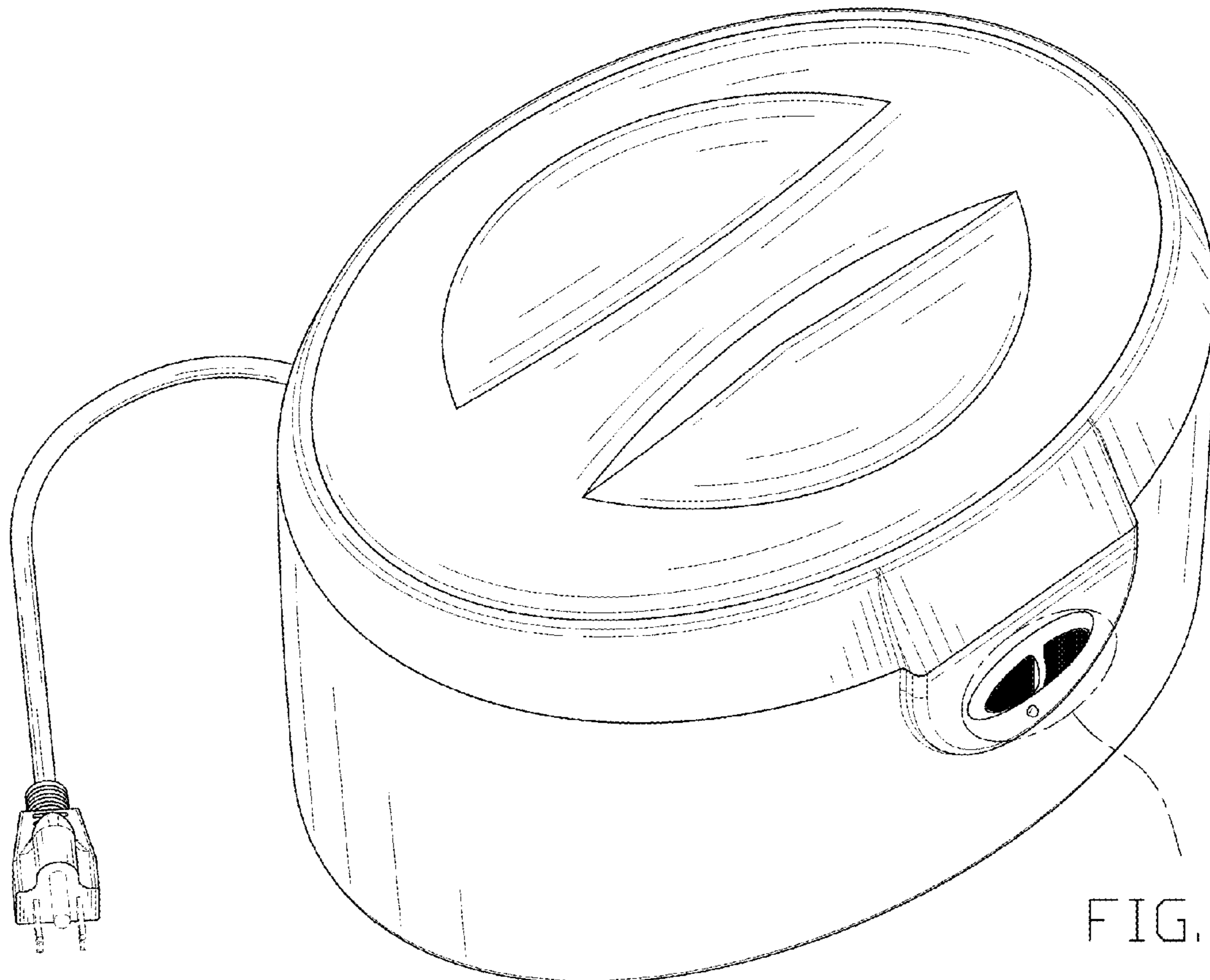


FIG. 9

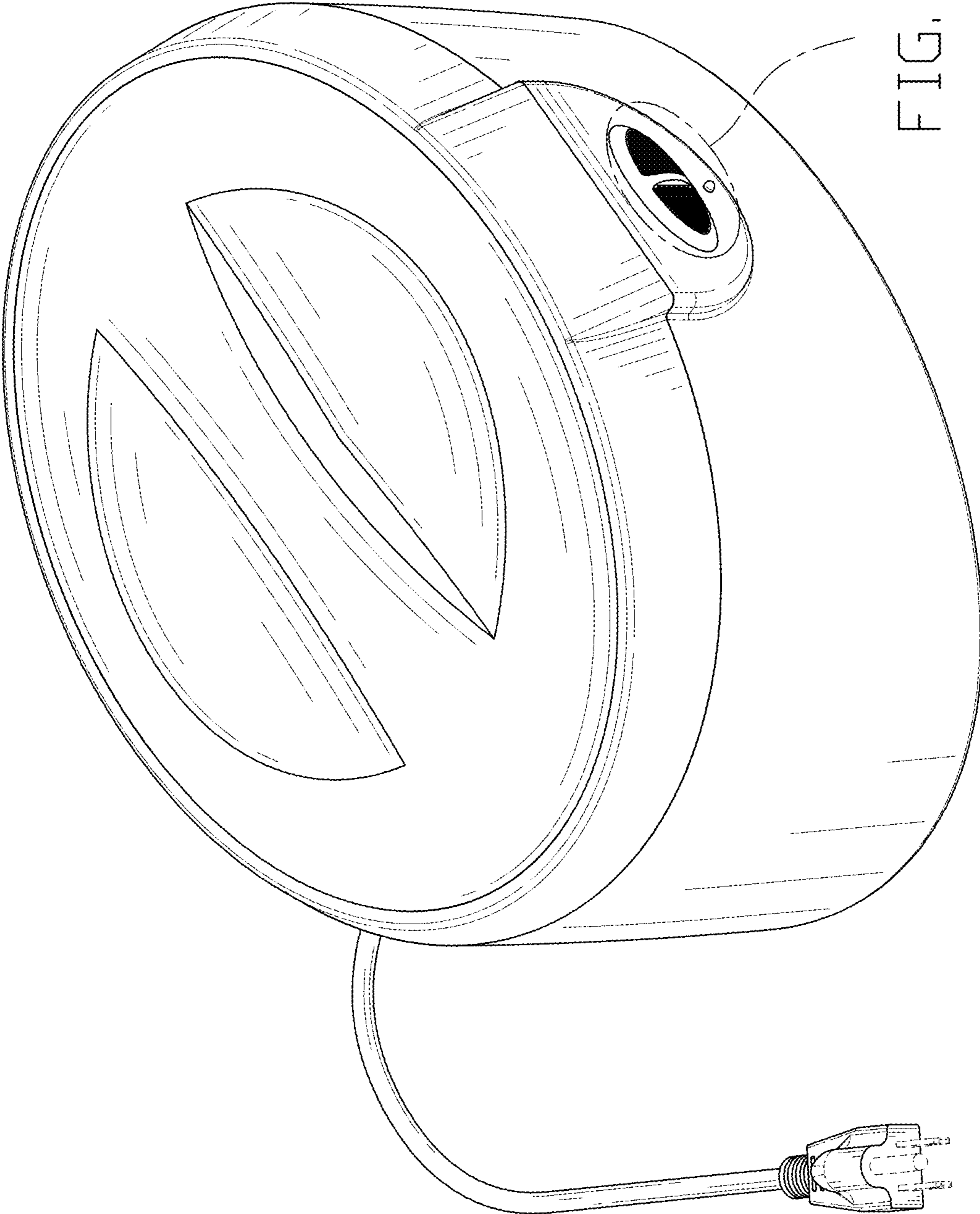


FIG. 9

FIG. 1

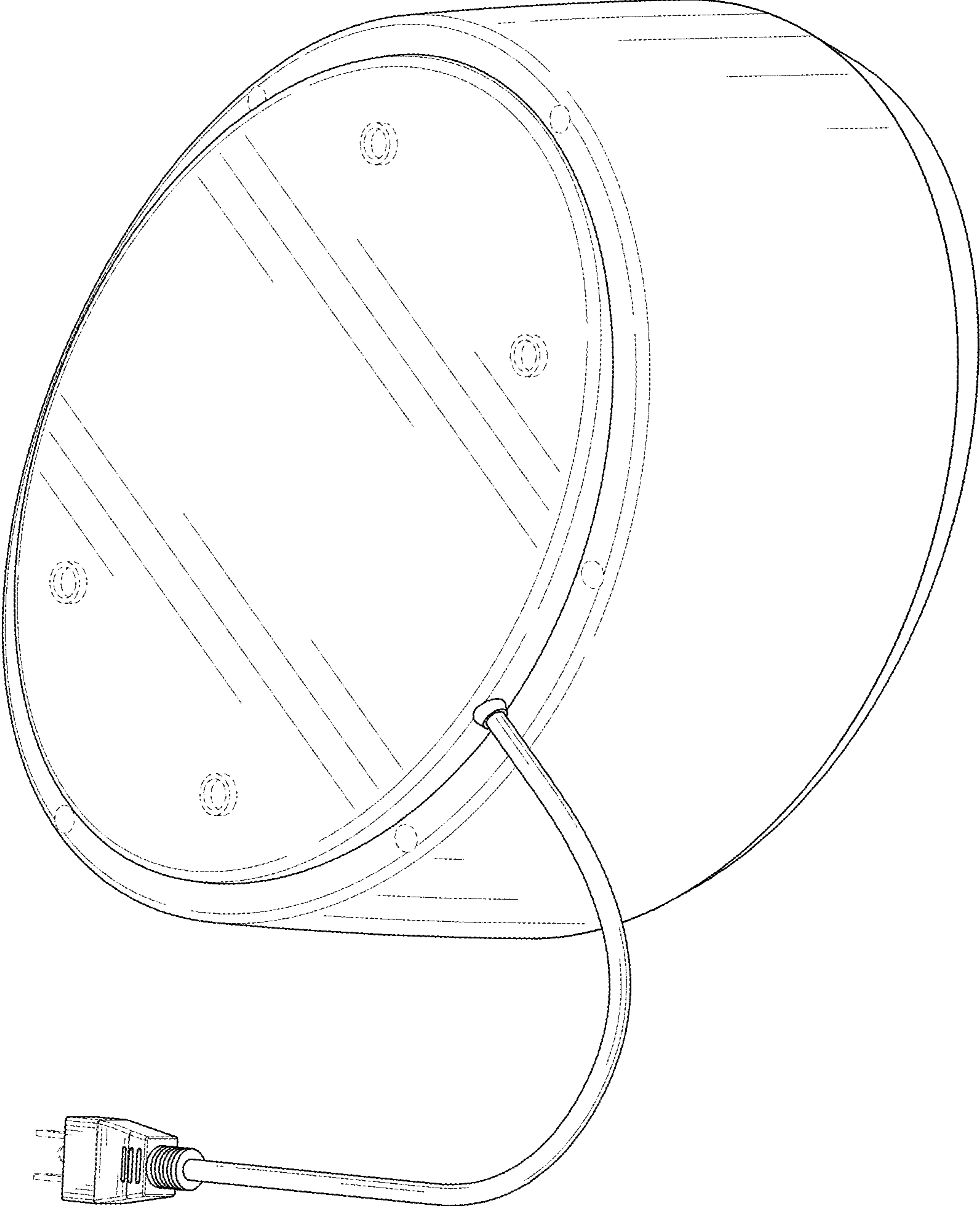


FIG. 2

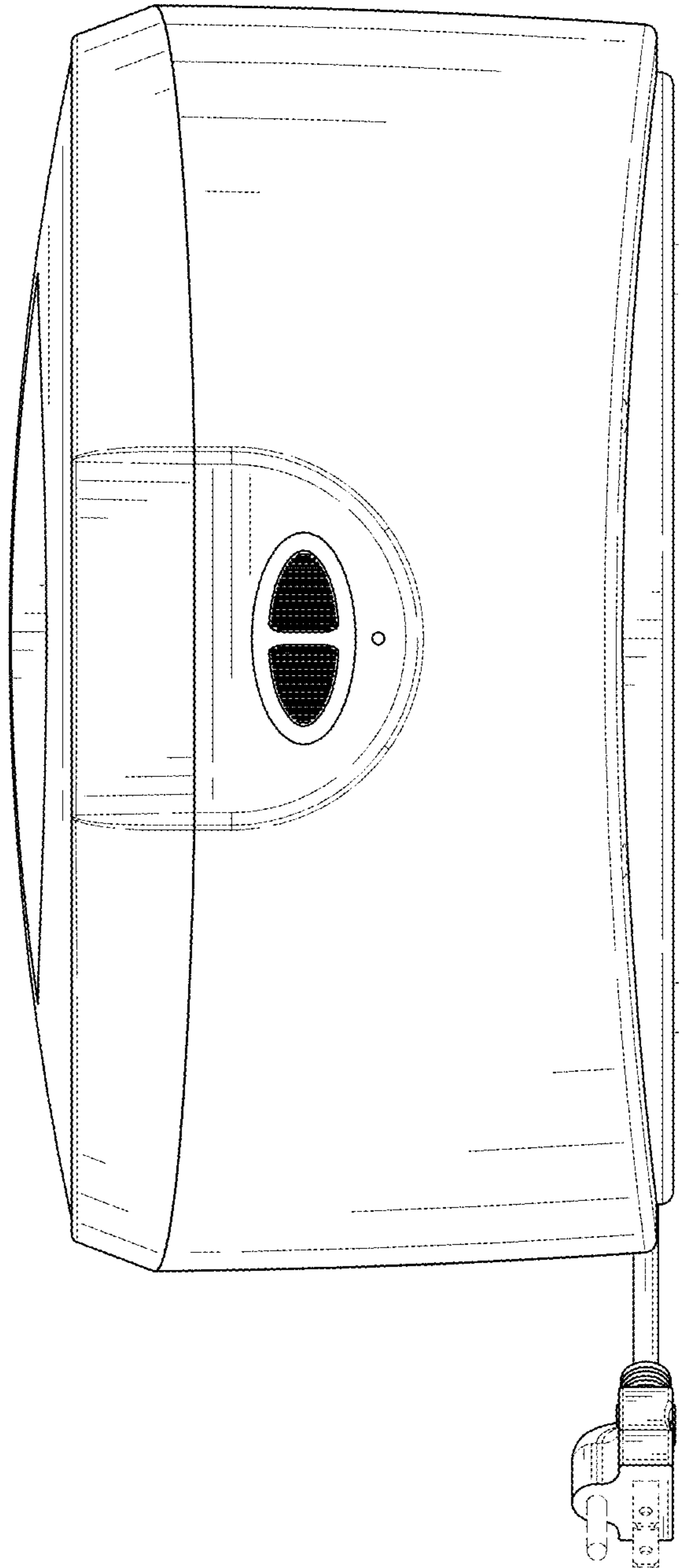


FIG. 3

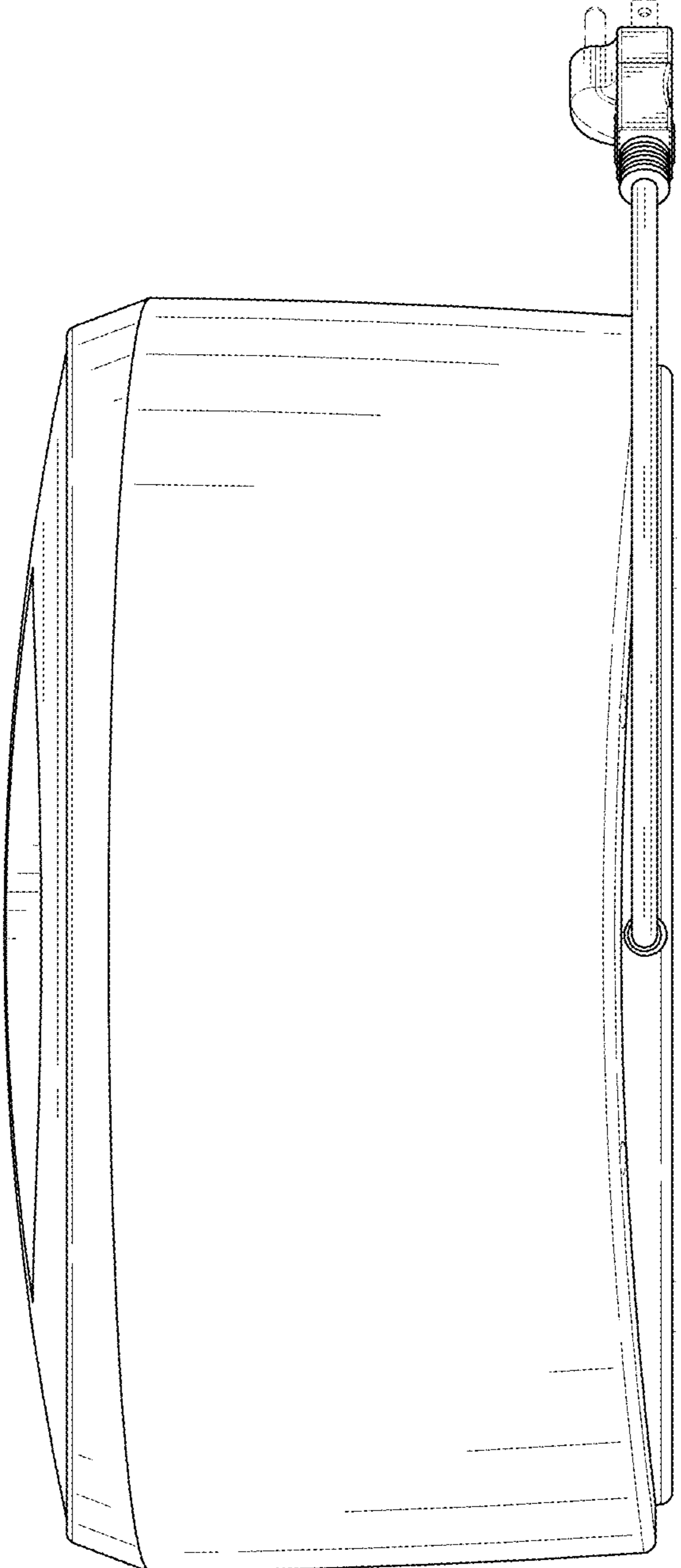


FIG. 4

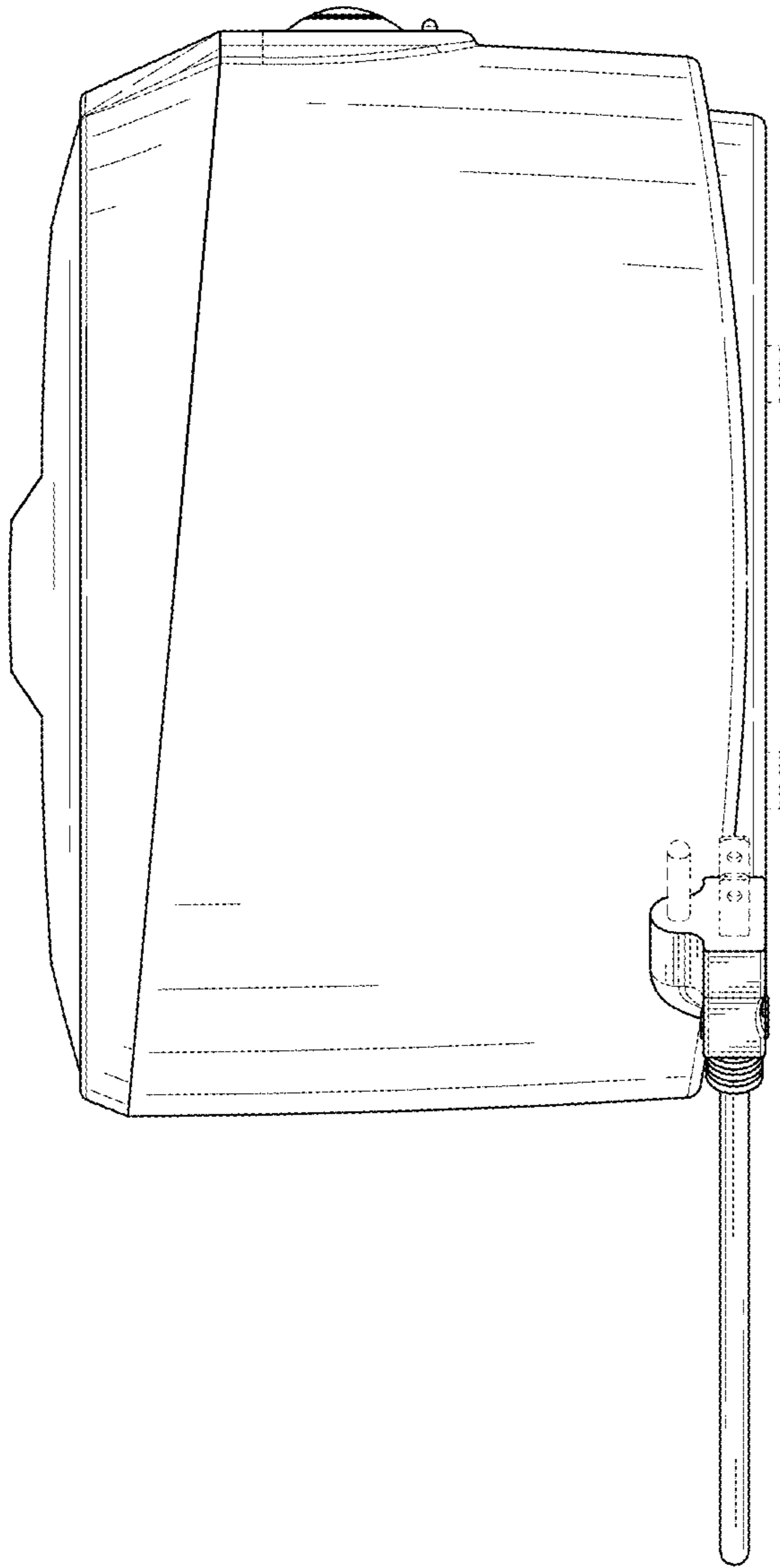


FIG. 5

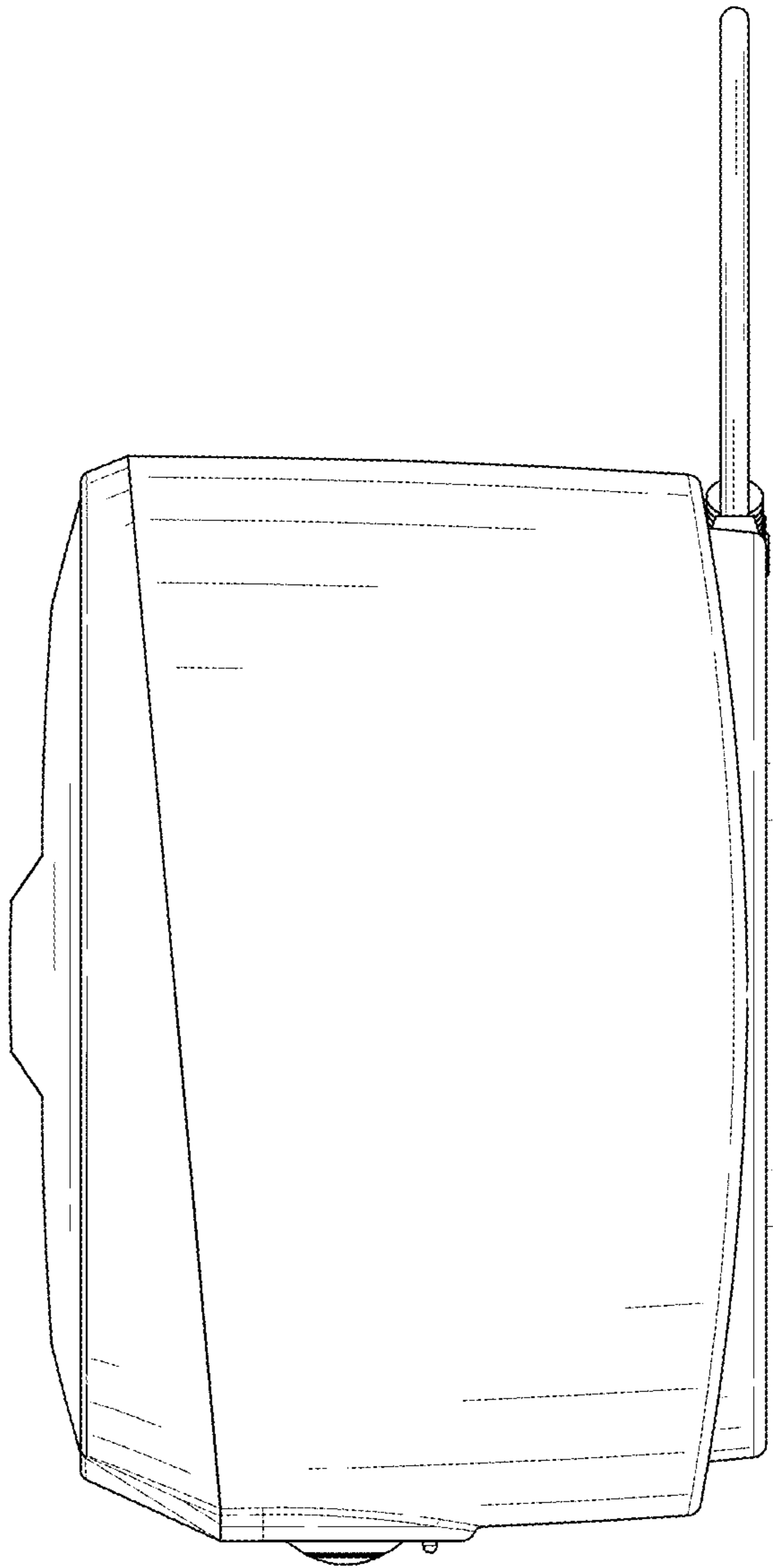


FIG. 6

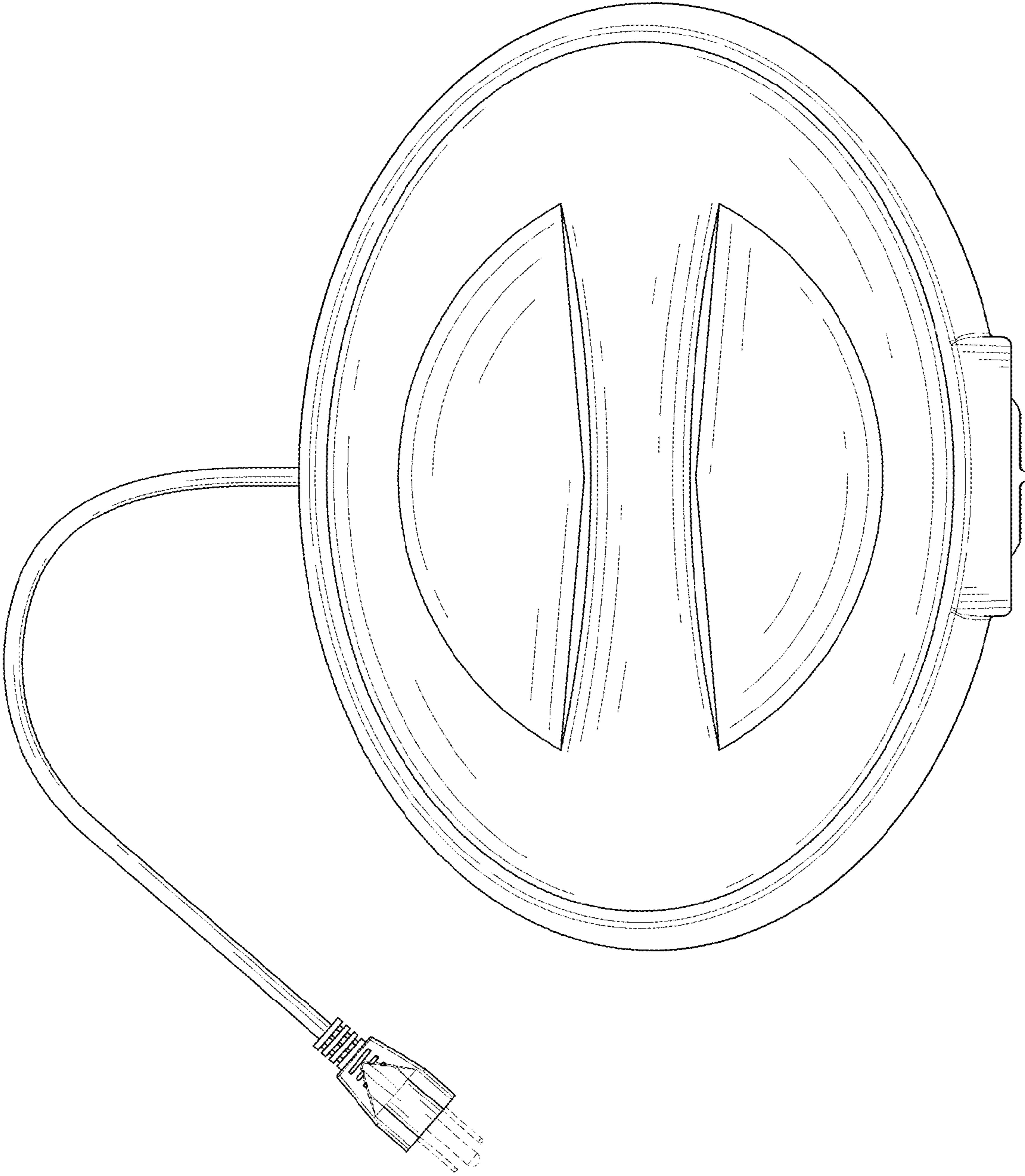


FIG. 7

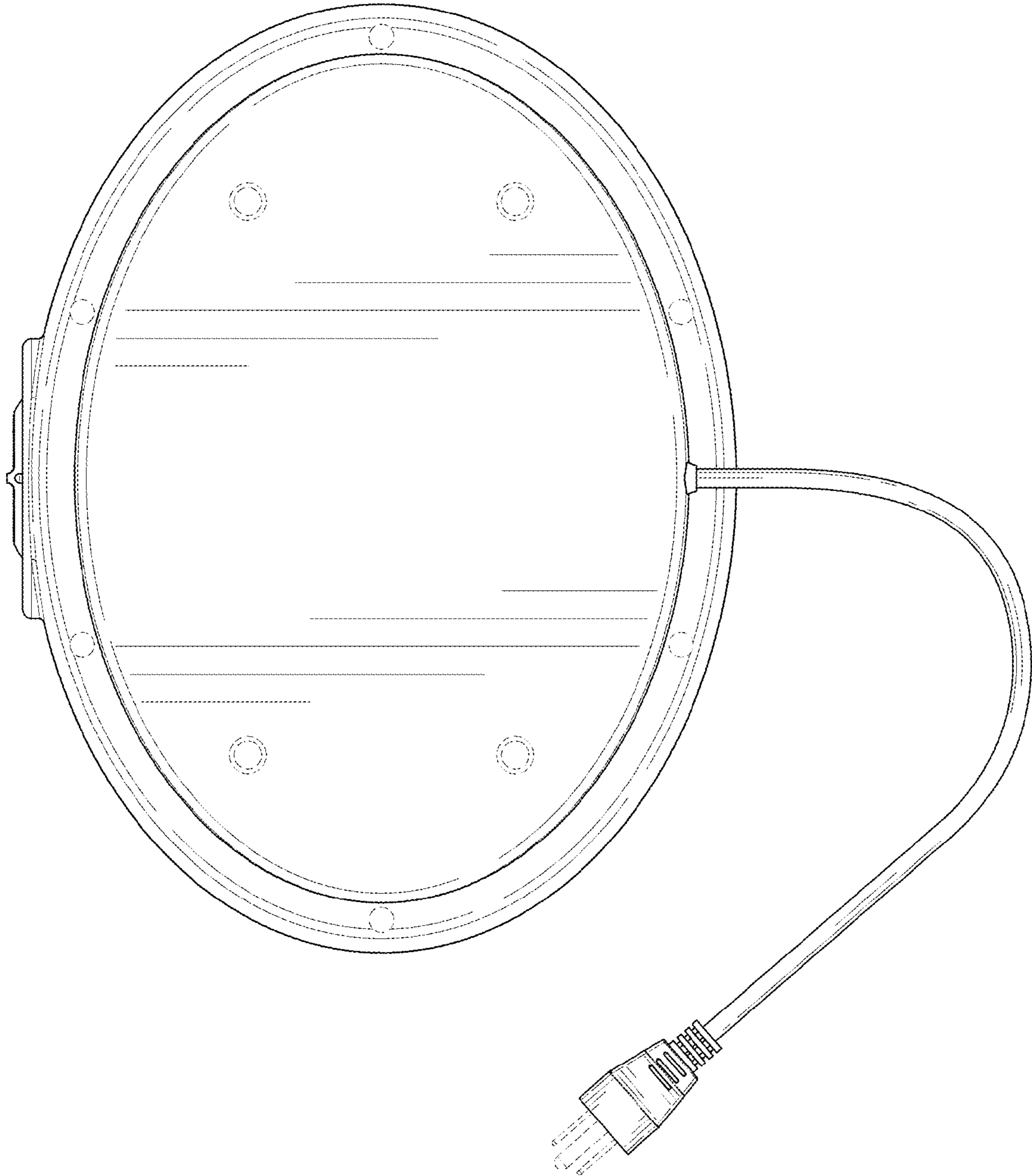


FIG. 8

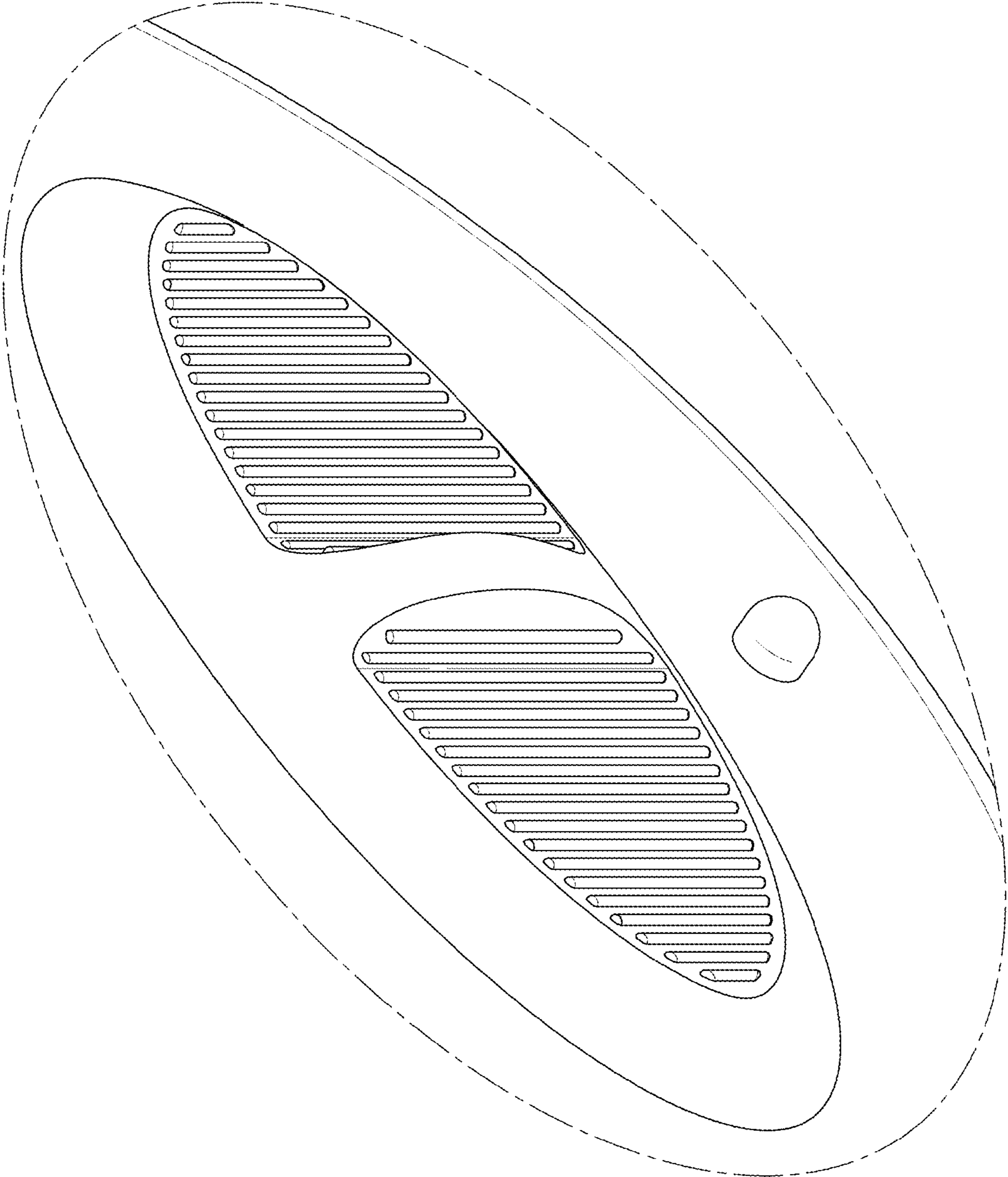


FIG. 9