



US00D917705S

(12) **United States Design Patent** (10) **Patent No.:** **US D917,705 S**
Kurachi et al. (45) **Date of Patent:** **** Apr. 27, 2021**

(54) **BODY COMPOSITION MEASURING APPARATUS**

(71) Applicant: **Socionext Inc.**, Kanagawa (JP)

(72) Inventors: **Ryusuke Kurachi**, Kanagawa (JP);
Mari Kobayashi, Kanagawa (JP);
Kazuyuki Kanazashi, Kanagawa (JP)

(73) Assignee: **Socionext Inc.**, Kanagawa (JP)

(**) Term: **15 Years**

(21) Appl. No.: **29/646,292**

(22) Filed: **May 3, 2018**

Related U.S. Application Data

(62) Division of application No. 35/502,796, filed on Oct. 12, 2016 (U.S. filing date under 35 U.S.C. 384), and having an international filing date of Oct. 12, 2016, now Pat. No. Des. 861,179.

(30) **Foreign Application Priority Data**

Apr. 19, 2016 (JP) 2016-008585
Apr. 19, 2016 (JP) 2016-008588

(51) **LOC (13) Cl.** **24-02**

(52) **U.S. Cl.**
USPC **D24/187**

(58) **Field of Classification Search**
USPC D24/187, 138, 137, 133, 186, 200
CPC G10K 11/355
See application file for complete search history.

(56) **References Cited**

U.S. PATENT DOCUMENTS

5,088,495 A * 2/1992 Miyagawa G10K 11/355
600/446
D443,063 S 5/2001 Pisani et al.

D505,206 S 5/2005 Chastain et al.
D690,021 S 9/2013 Olson et al.
D701,965 S * 4/2014 Matsumura D24/187
D719,660 S 12/2014 Vosch et al.
D738,517 S * 9/2015 Karim D24/200
D750,268 S * 2/2016 Guarraia D24/200
D761,436 S 7/2016 Fogarty et al.
D766,447 S 9/2016 Bishay et al.
D785,187 S 4/2017 Darmanjian
D787,079 S 5/2017 Yoo
D788,614 S * 6/2017 Hashimoto D10/78
D800,321 S 10/2017 Roche
D811,606 S * 2/2018 Kitayama D24/187
D811,607 S * 2/2018 Kitayama D24/187
D837,390 S * 1/2019 Harada D24/187
D842,482 S * 3/2019 Harada D24/187
D844,148 S * 3/2019 Wilson D24/187
D861,884 S * 10/2019 Moon D24/187

(Continued)

Primary Examiner — Eliza Z Bennett-Hattan

(74) *Attorney, Agent, or Firm* — Wood Herron & Evans LLP

(57) **CLAIM**

The ornamental design for a body composition measuring apparatus therefor, as shown and described.

DESCRIPTION

FIG. 1: Perspective View of the body composition measuring apparatus.

FIG. 2: Front View thereof.

FIG. 3: Back View thereof.

FIG. 4: Right View thereof.

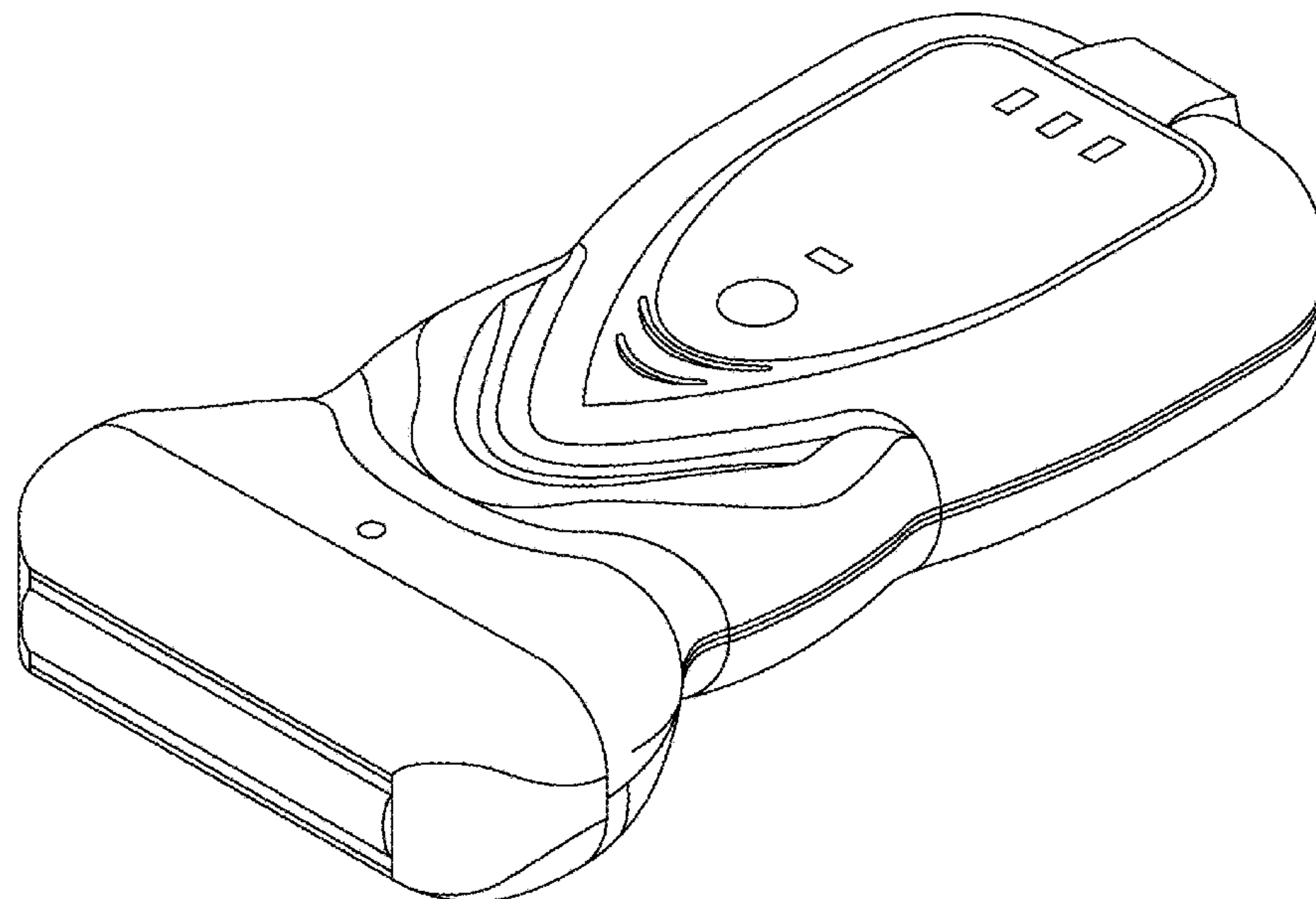
FIG. 5: Left View thereof.

FIG. 6: Top View thereof; and,

FIG. 7: Bottom View thereof.

The broken lines shown in at least FIG. 3 illustrate environmental subject matter and/or elements that form no part of the claimed design.

1 Claim, 7 Drawing Sheets



(56)

References Cited

U.S. PATENT DOCUMENTS

| | | | | | |
|------------|---|---------|----------|-------|---------|
| D861,905 S | * | 10/2019 | Ho | | D24/200 |
| D870,296 S | * | 12/2019 | de Jonge | | D24/187 |
| D875,259 S | * | 2/2020 | Moon | | D24/187 |
| D878,603 S | * | 3/2020 | Zhang | | D24/187 |
| D882,096 S | * | 4/2020 | Dekock | | D24/187 |

* cited by examiner

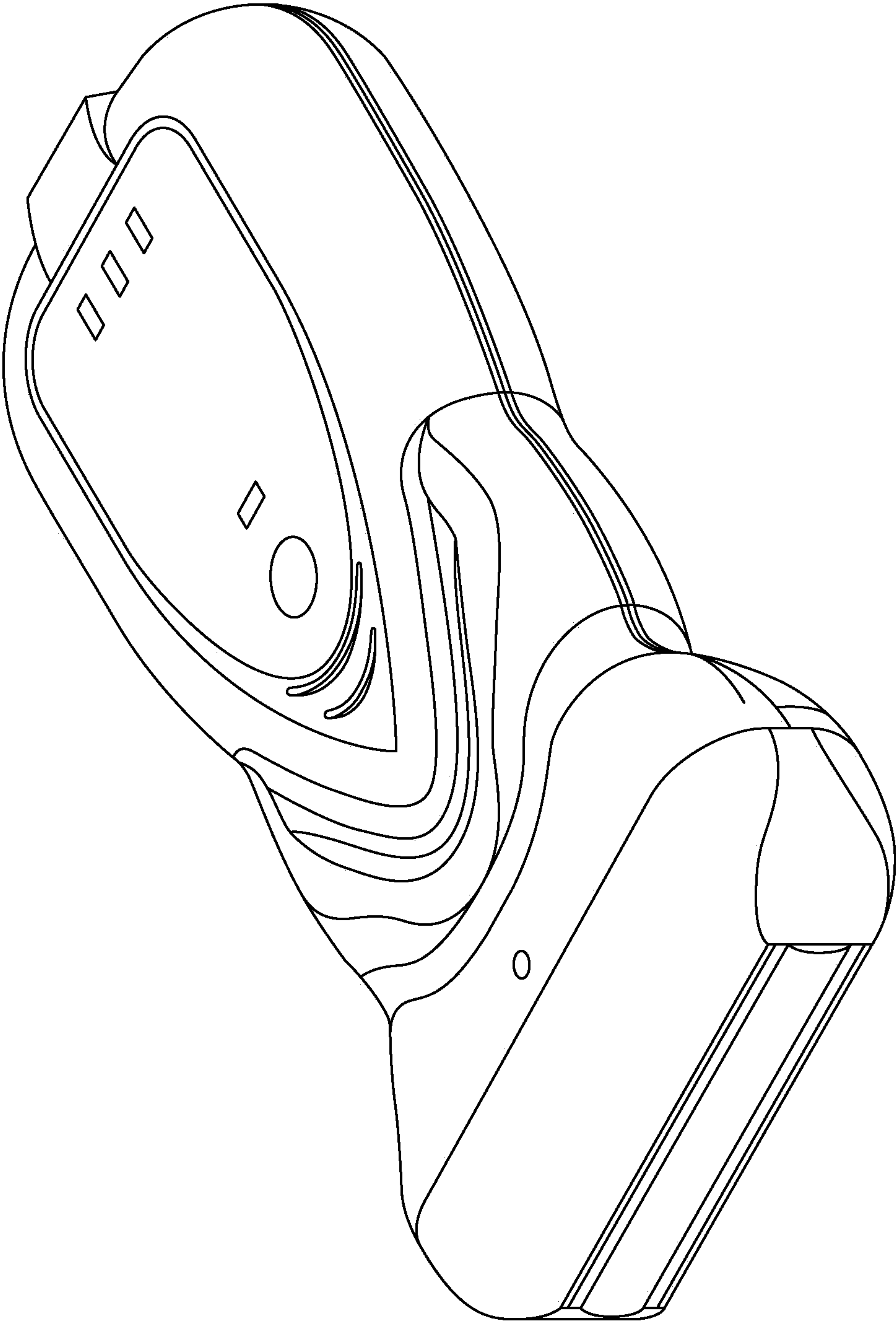


FIG. 1

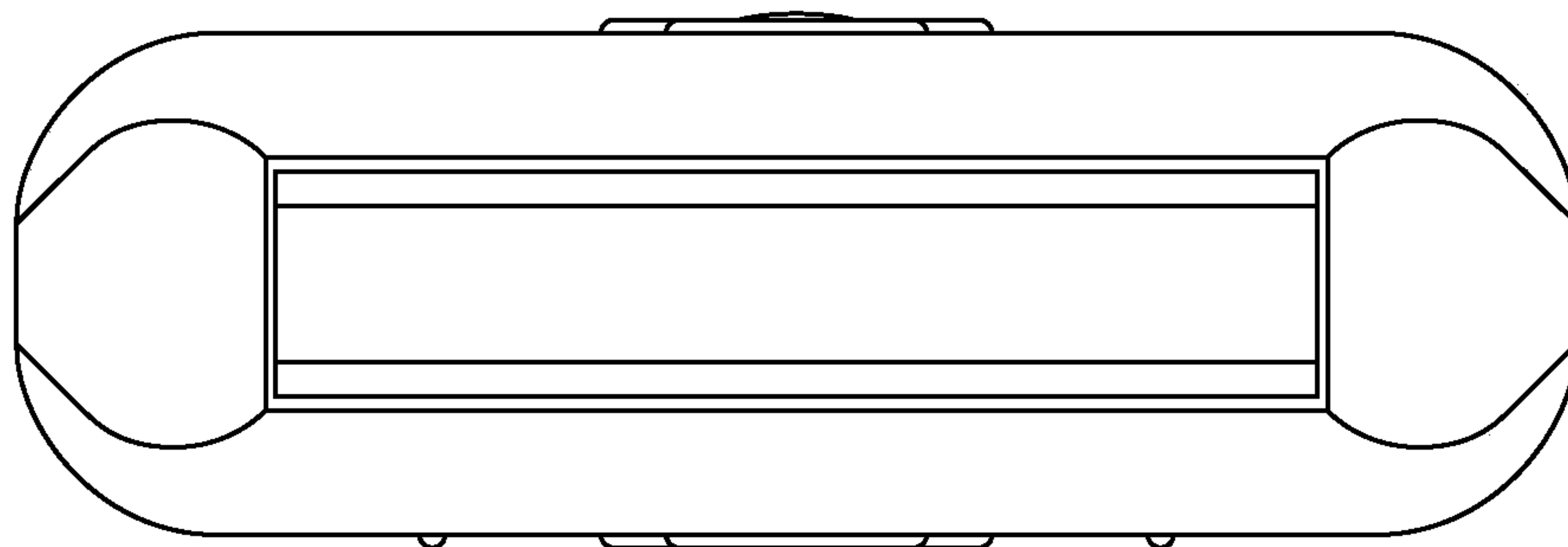


FIG. 2

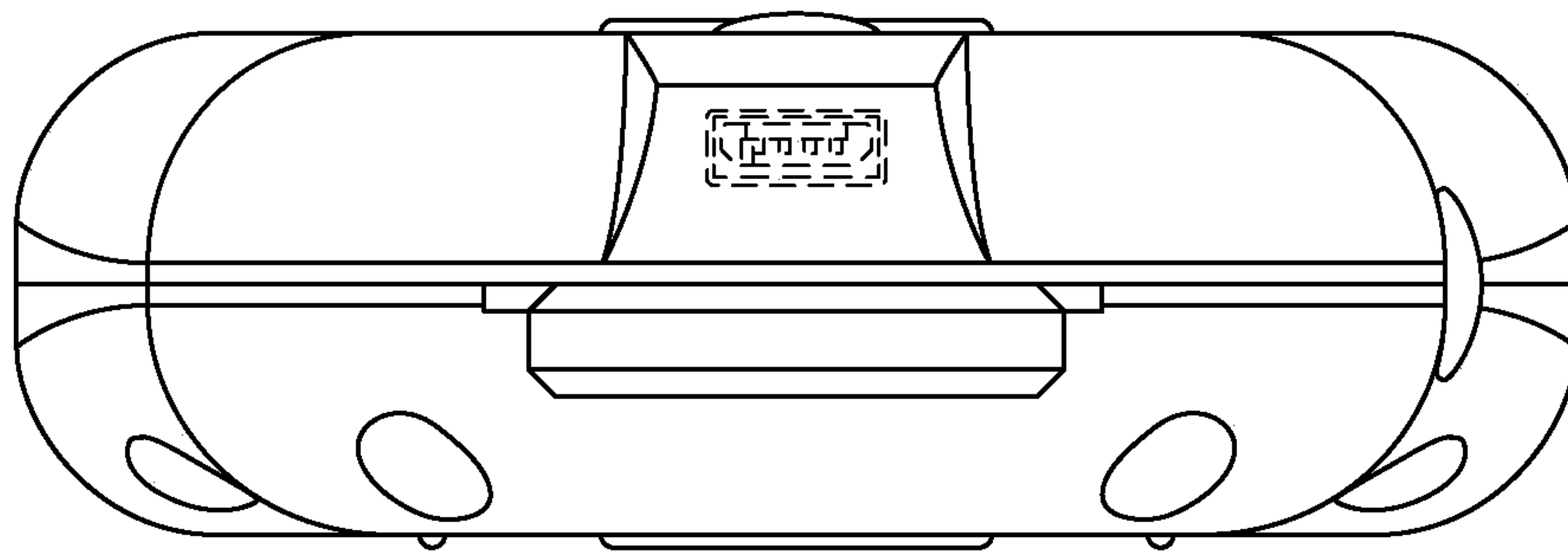


FIG. 3

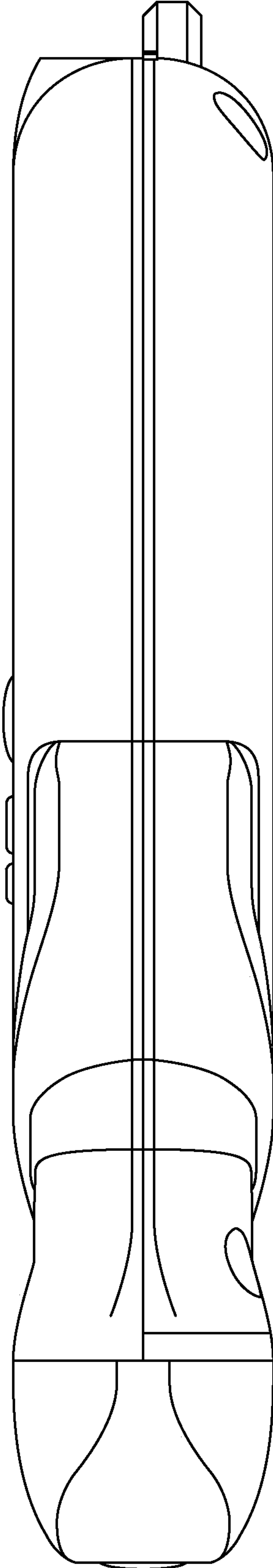


FIG. 4

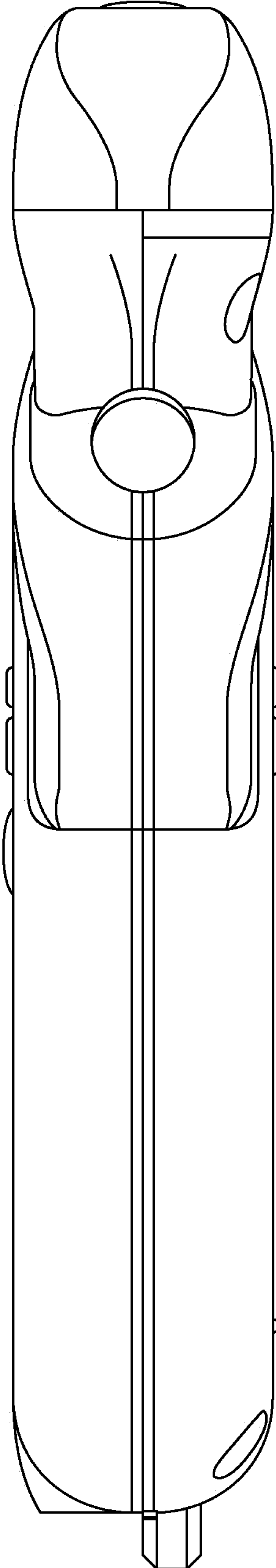


FIG. 5

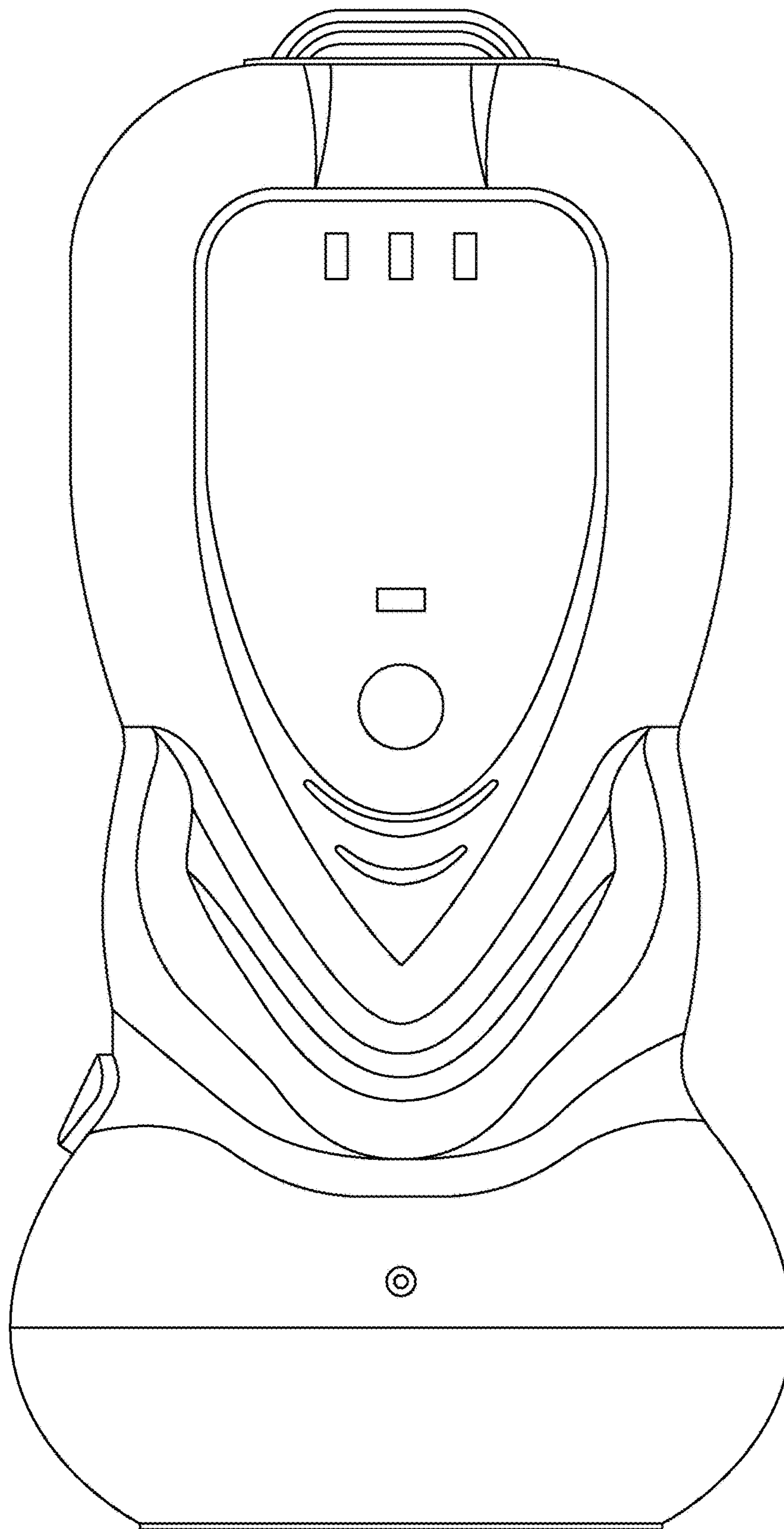


FIG. 6

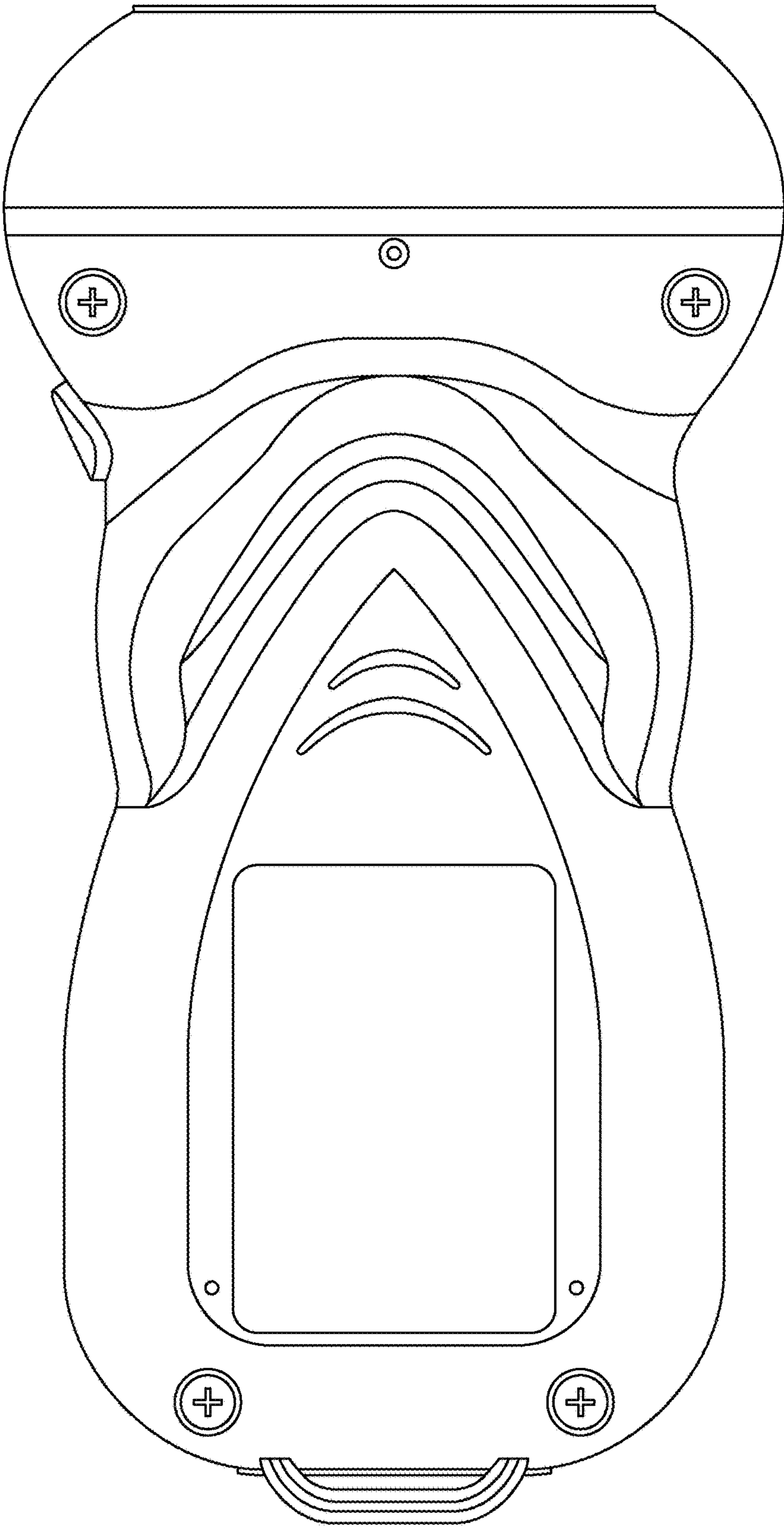


FIG. 7