



US00D917701S

(12) **United States Design Patent** (10) **Patent No.:** **US D917,701 S**  
**Chai et al.** (45) **Date of Patent:** **\*\* Apr. 27, 2021**

(54) **ANESTHESIA DEVICE** D634,016 S \* 3/2011 Schon ..... D24/107  
 D714,454 S \* 9/2014 Amemiya ..... D24/185  
 (71) Applicant: **SHENZHEN MINDRAY** 8,887,746 B2 \* 11/2014 Schon ..... A61M 16/122  
**BIO-MEDICAL ELECTRONICS** 137/1  
**CO., LTD., Shenzhen (CN)** D735,868 S \* 8/2015 Mareguddi ..... D24/185  
 9,283,348 B2 \* 3/2016 Schon ..... A61M 16/122  
 (72) Inventors: **Haibo Chai**, Shenzhen (CN); **Lijuan** D837,380 S \* 1/2019 Hulford ..... D24/170  
**He**, Shenzhen (CN); **Xiang Zhou**, D870,895 S \* 12/2019 Asad ..... D24/186  
 Shenzhen (CN) D876,633 S \* 2/2020 Moon ..... D24/160  
 10,580,528 B2 \* 3/2020 McLaughlin ..... G06F 19/321  
 2001/0034530 A1 \* 10/2001 Malackowski ..... A61B 90/36  
 606/130  
 (73) Assignee: **SHENZHEN MINDRAY**  
**BIO-MEDICAL ELECTRONICS**  
**CO., LTD., Shenzhen (CN)**

FOREIGN PATENT DOCUMENTS

(\*\*) Term: **15 Years** CN 301524105 \* 4/2011  
 \* cited by examiner

(21) Appl. No.: **29/644,091**  
 (22) Filed: **Apr. 13, 2018**  
 (30) **Foreign Application Priority Data**  
 Oct. 13, 2017 (CN) ..... 201730488389.3  
 (51) **LOC (13) Cl.** ..... **24-01**  
 (52) **U.S. Cl.**  
 USPC ..... **D24/186**  
 (58) **Field of Classification Search**  
 USPC ..... D24/216-233, 185, 186, 107-108, 110,  
 D24/111, 156, 176, 177;  
 D3/203.1-203.3, 203.7, 313; D7/553.1,  
 D7/553.2, 553.3; D9/456, 732  
 CPC ..... A61B 50/20; A61B 50/30; A61B 50/33;  
 A61B 8/4405; A61M 16/104; A61M  
 2202/0241; A61M 2205/505  
 See application file for complete search history.

(57) **CLAIM**

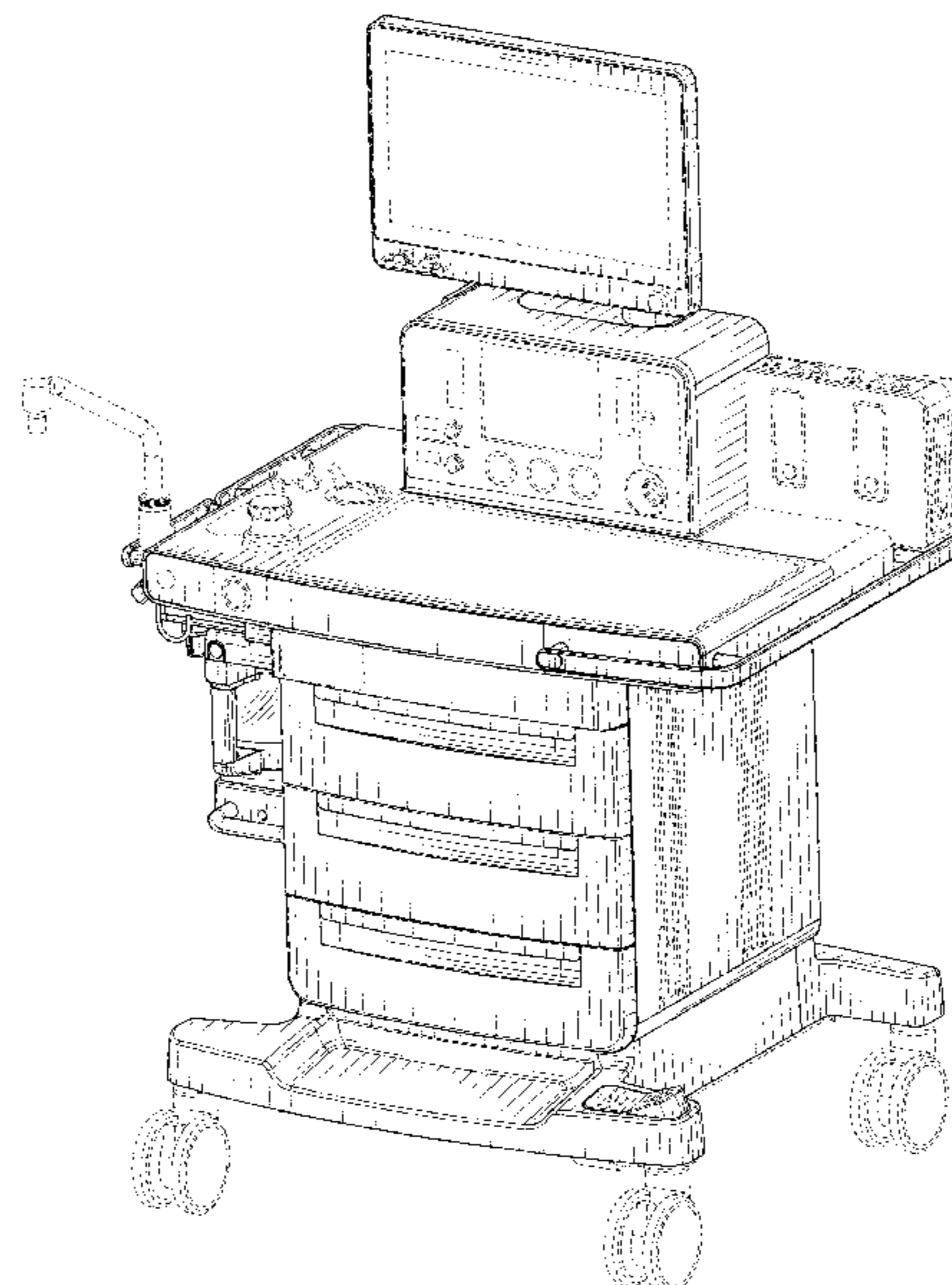
We claim the ornamental design for an anesthesia device, as shown and described.

**DESCRIPTION**

FIG. 1 is a perspective view of an anesthesia device, showing our new design;  
 FIG. 2 is a front elevational view thereof;  
 FIG. 3 is a rear elevational view thereof;  
 FIG. 4 is a right side elevational view thereof;  
 FIG. 5 is a left side elevational view thereof;  
 FIG. 6 is a top plan view thereof; and,  
 FIG. 7 is a bottom plan view thereof.  
 The broken lines depict portions of the anesthesia device that form no part of the claimed design.

**1 Claim, 7 Drawing Sheets**

(56) **References Cited**  
 U.S. PATENT DOCUMENTS  
 D341,660 S \* 11/1993 Blaise ..... D24/185  
 D486,915 S \* 2/2004 Warschewske ..... D24/185



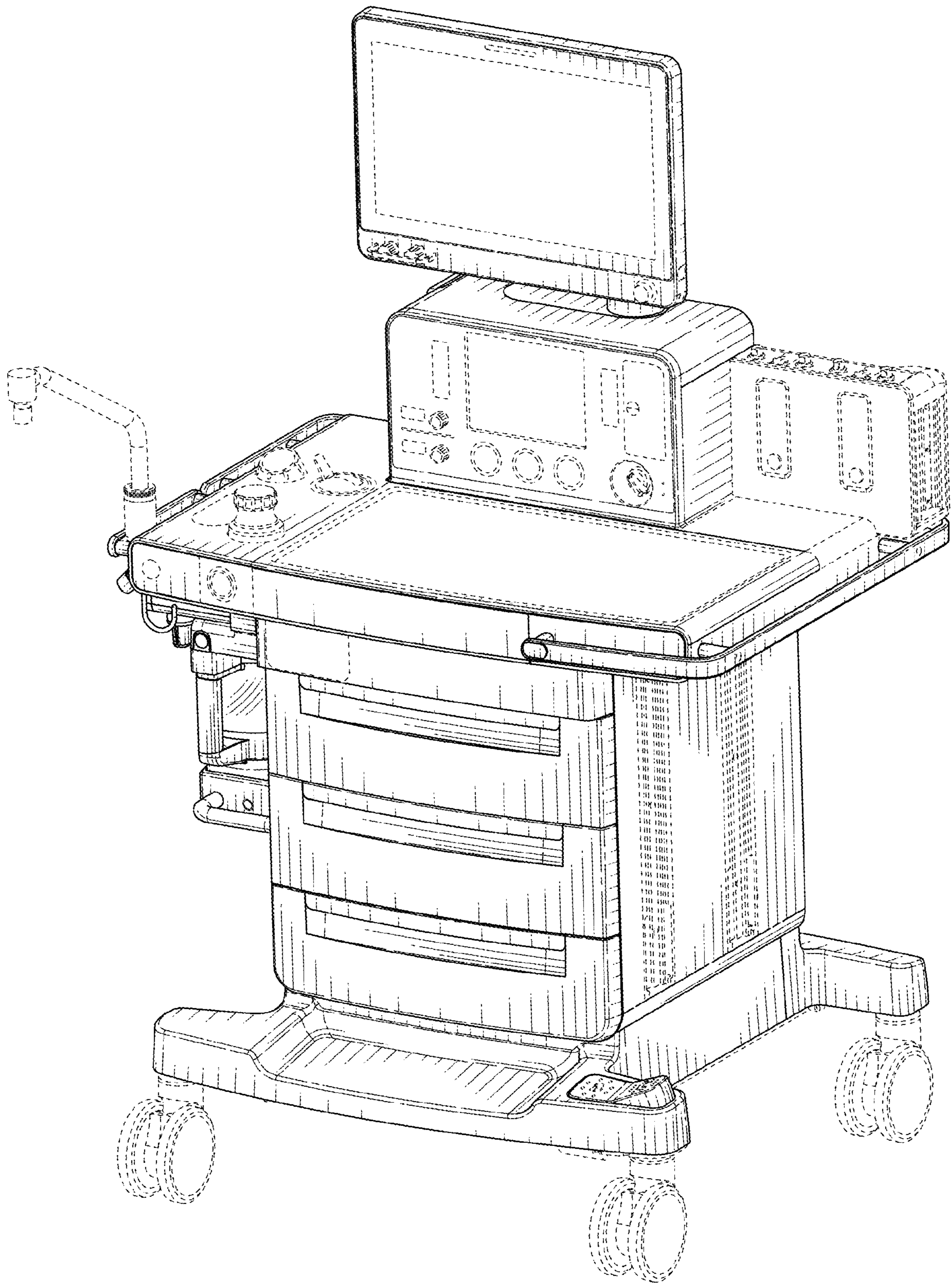


FIG. 1

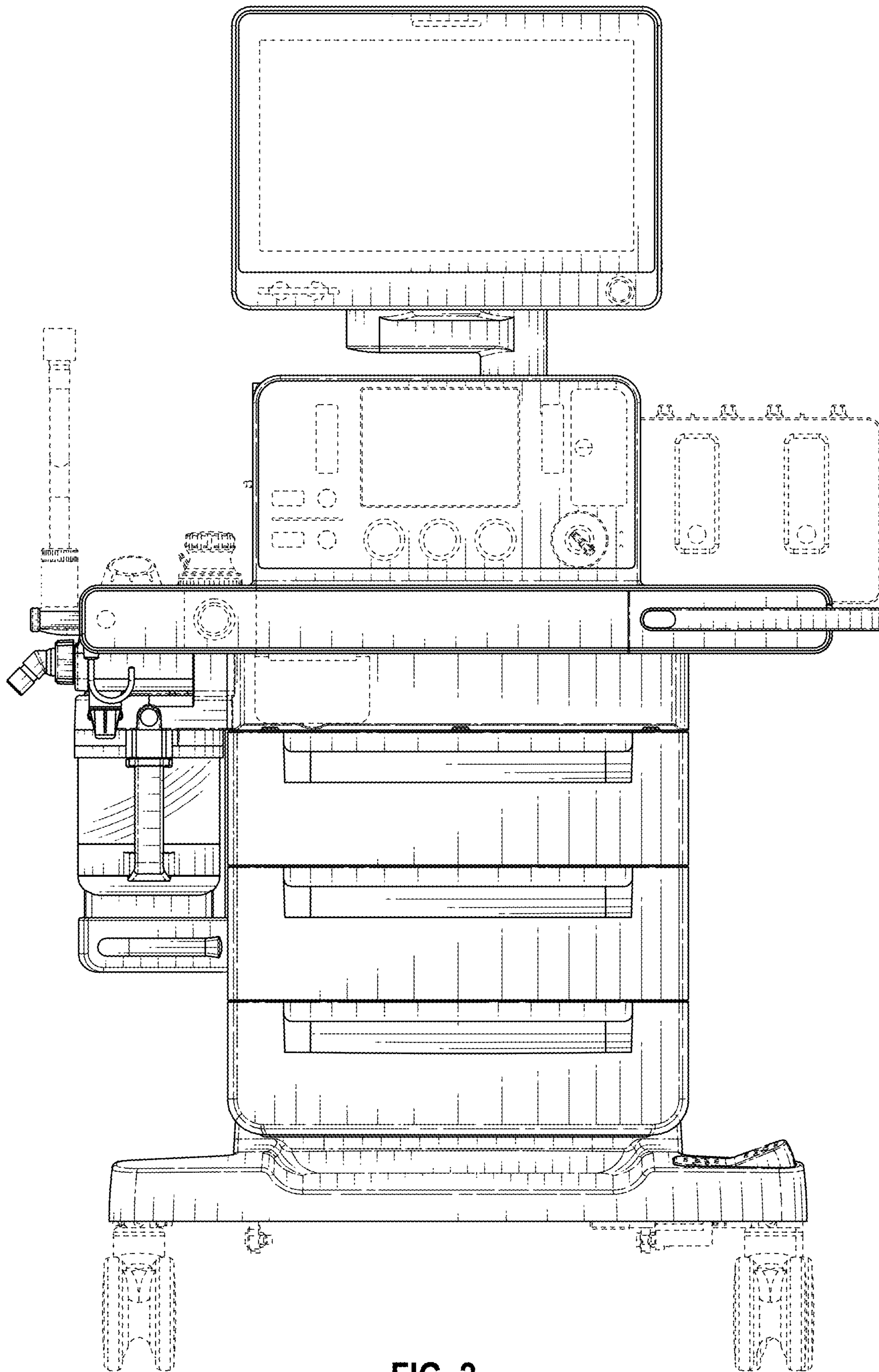


FIG. 2

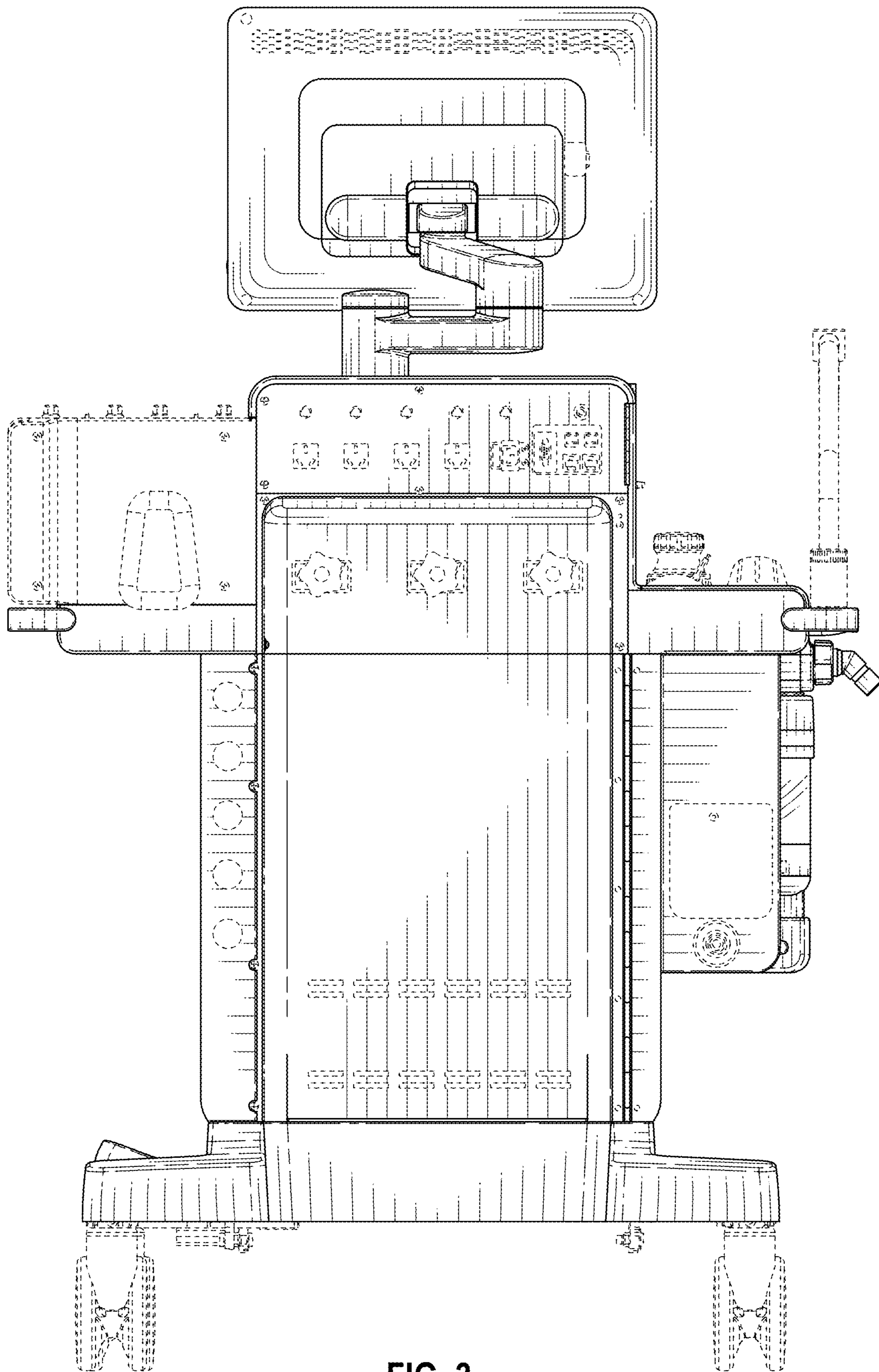


FIG. 3

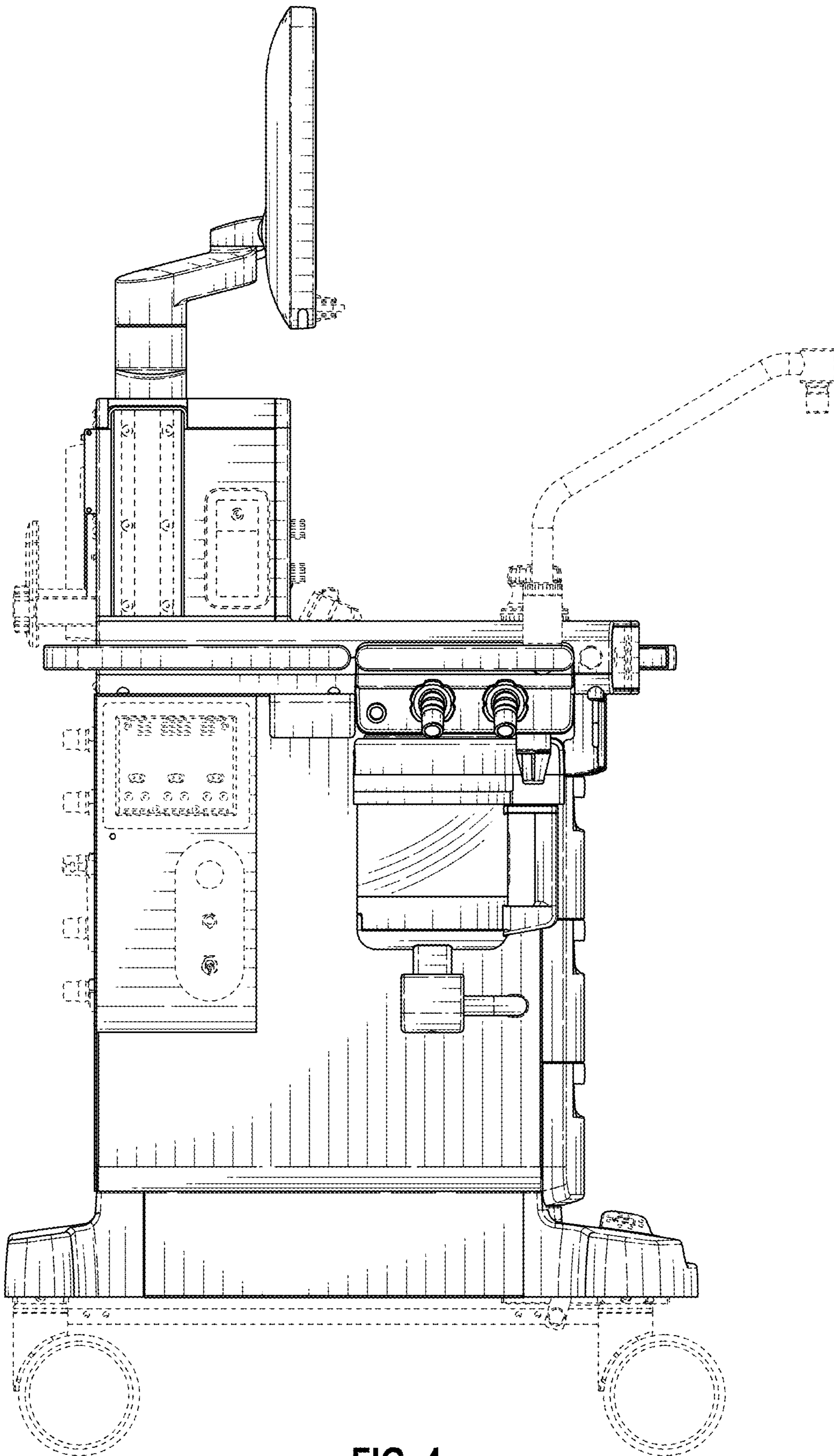


FIG. 4

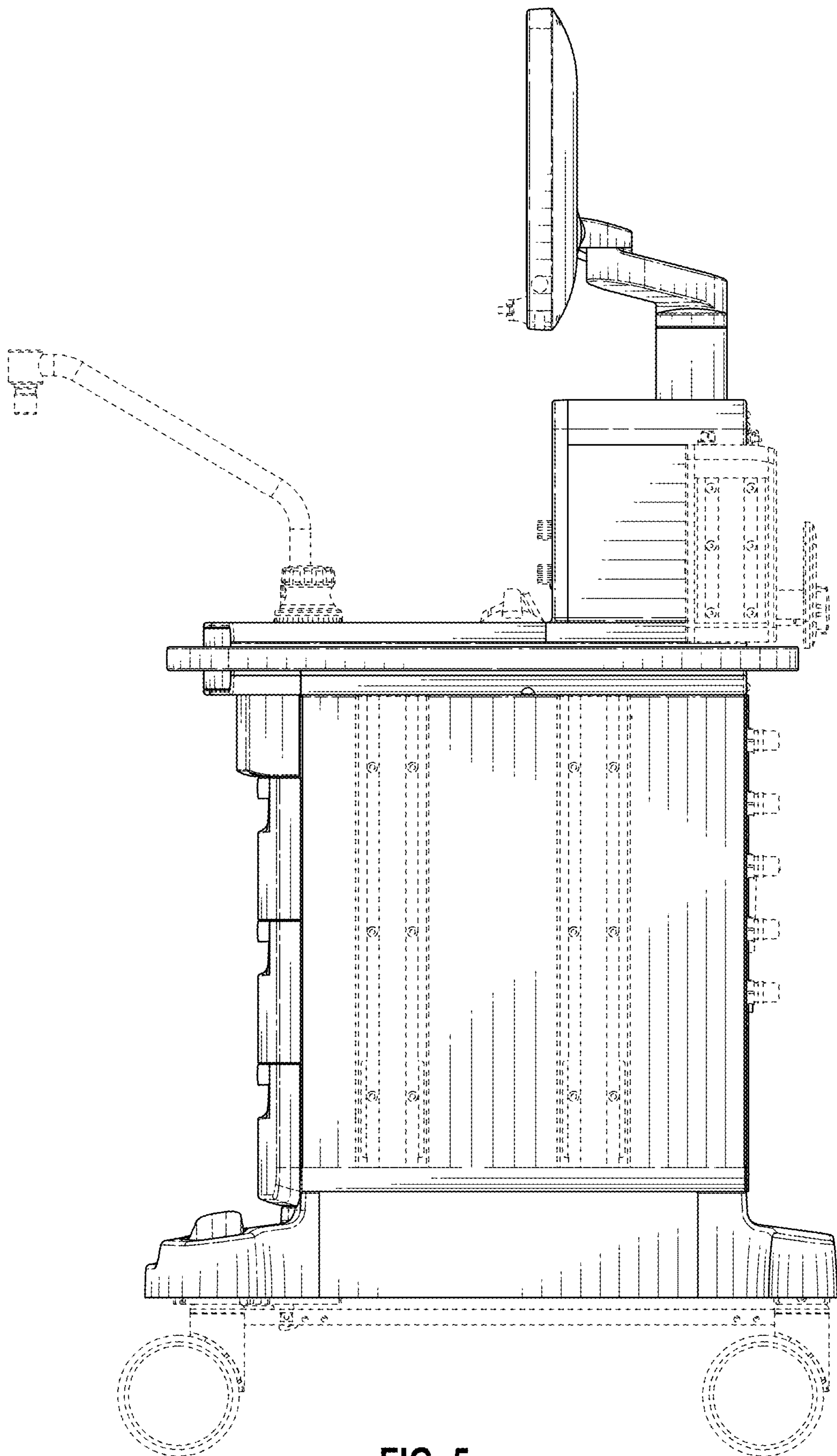


FIG. 5

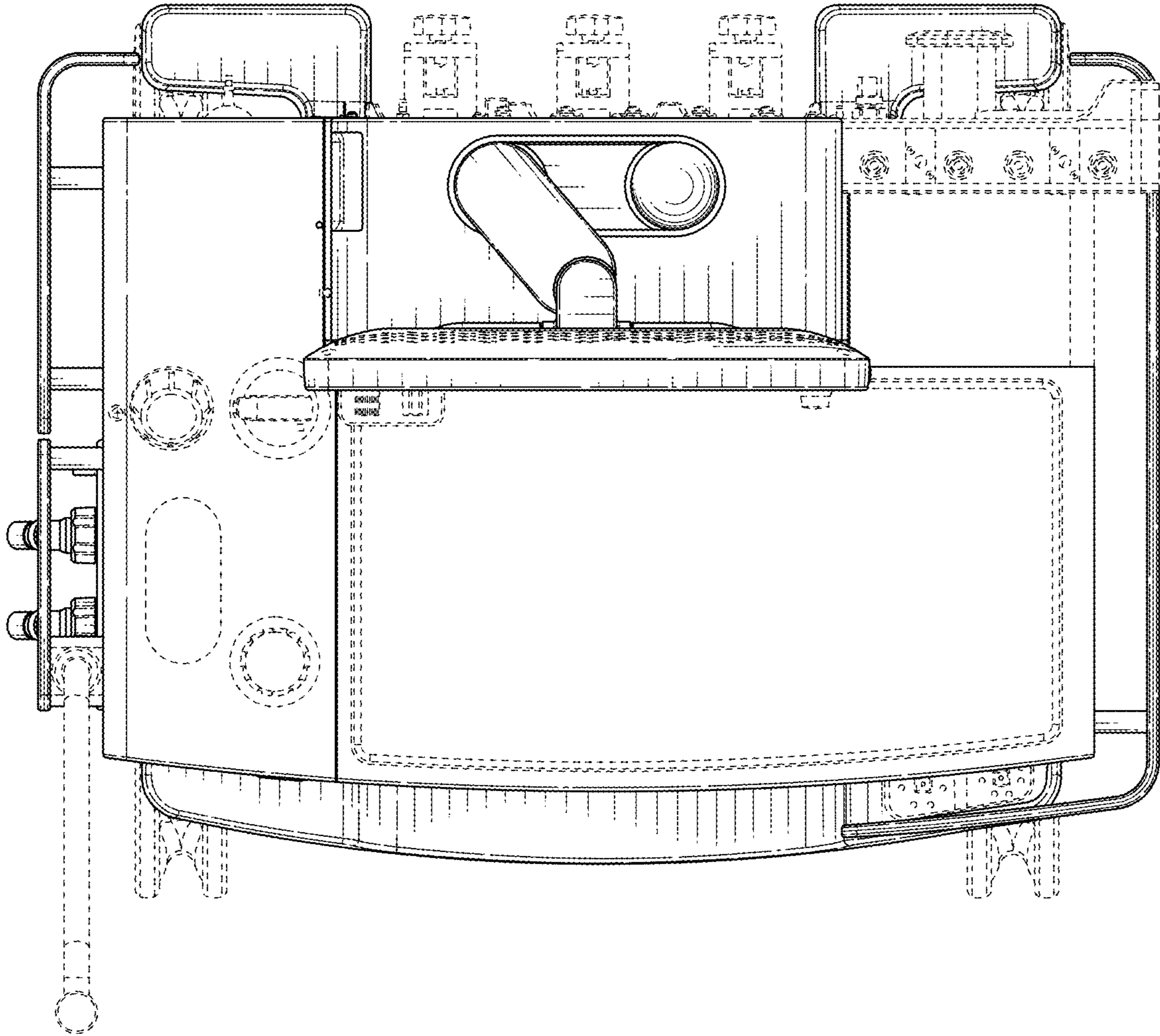


FIG. 6

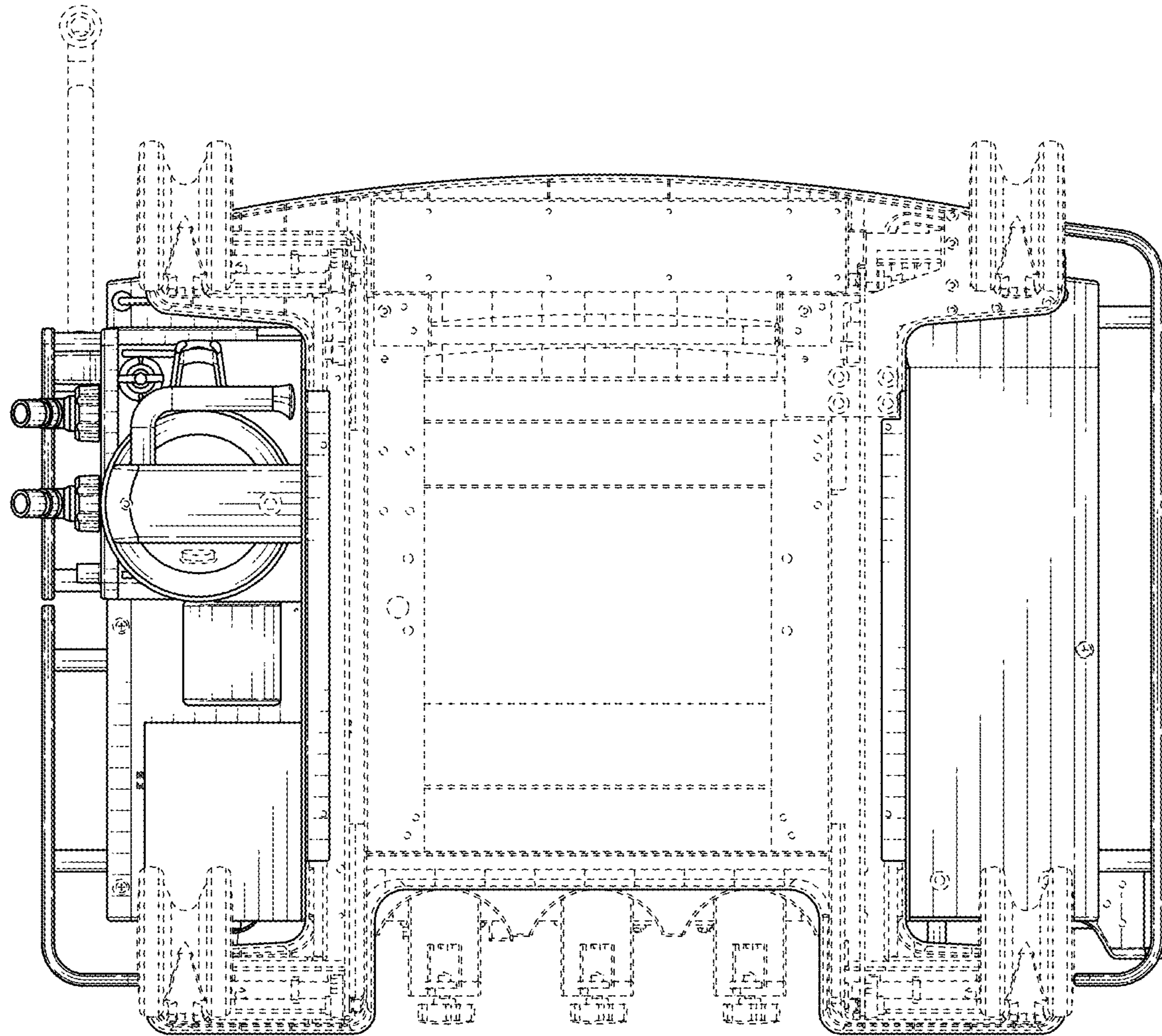


FIG. 7