



US00D917699S

(12) **United States Design Patent**
Lim

(10) **Patent No.:** **US D917,699 S**

(45) **Date of Patent:** **** Apr. 27, 2021**

(54) **FINGERTIP PULSE OXIMETER**

(71) Applicant: **Chiat Koo Lim**, Sugar Land, TX (US)

(72) Inventor: **Chiat Koo Lim**, Sugar Land, TX (US)

(**) Term: **15 Years**

(21) Appl. No.: **29/706,965**

(22) Filed: **Sep. 25, 2019**

(51) **LOC (13) Cl.** **24-01**

(52) **U.S. Cl.**

USPC **D24/167**; D24/169

(58) **Field of Classification Search**

USPC D24/165–169, 186, 187; D10/46, 70, 98

CPC G01N 33/66; G01N 33/49; G01N 33/493;

A61B 5/0205; A61B 5/02427; A61B

5/02438; A61B 5/14552; A61B 5/6626;

A61B 5/6638

See application file for complete search history.

(56) **References Cited**

U.S. PATENT DOCUMENTS

D455,834 S	4/2002	Donars et al.
D603,966 S	11/2009	Jones et al.
D615,655 S	5/2010	Maser et al.
D668,340 S	10/2012	Wang et al.
D670,388 S	11/2012	Jin et al.
D691,726 S	10/2013	Jin et al.
D718,455 S	11/2014	Maser et al.
D767,145 S	9/2016	Liu et al.
D782,045 S	3/2017	Chou et al.
D830,557 S	10/2018	Sebban

D877,339 S *	3/2020	Xian	D24/165
D893,727 S *	8/2020	Zhao	D24/165
D893,728 S *	8/2020	Zhao	D24/165
D894,398 S *	8/2020	Wei	D24/169
D894,399 S *	8/2020	Wei	D24/169
2013/0096405 A1 *	4/2013	Garfio	A61B 5/6826 600/340

FOREIGN PATENT DOCUMENTS

CN	201830386950.1	*	5/2019
GB	6039314	*	7/2018

* cited by examiner

Primary Examiner — Anhdao Doan

(57) **CLAIM**

I claim the ornamental design for a fingertip pulse oximeter, as shown and described.

DESCRIPTION

FIG. 1 is a front perspective view of a fingertip pulse oximeter, showing our new design;

FIG. 2 is a rear perspective view thereof;

FIG. 3 is a rear elevational view thereof;

FIG. 4 is a front elevational view thereof;

FIG. 5 is a right-side elevational view thereof;

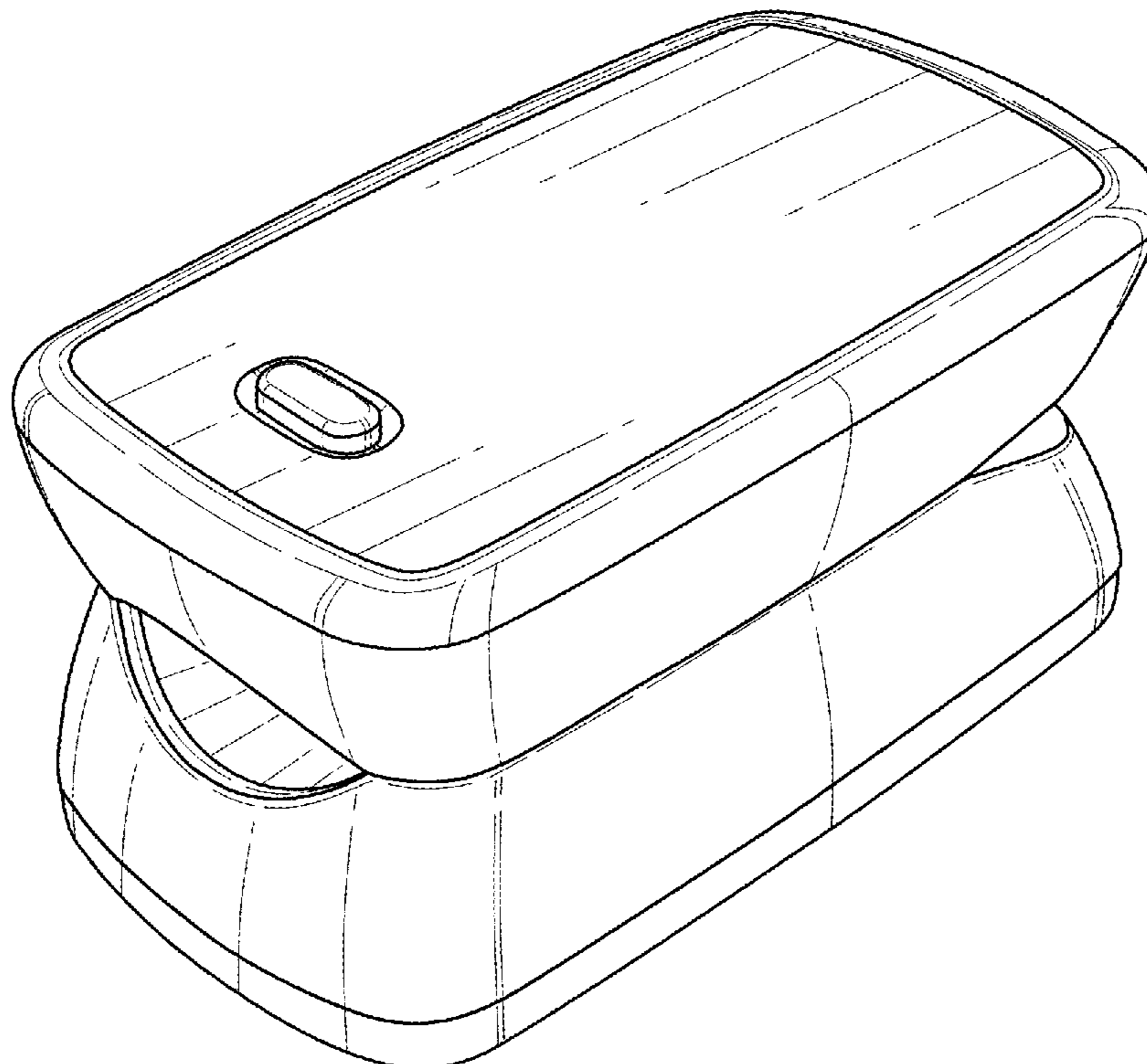
FIG. 6 is a left-side elevational view thereof;

FIG. 7 is a bottom plan view thereof; and,

FIG. 8 is a top plan view thereof.

The broken lines illustrate portions of the fingertip pulse oximeter that form no part of the claimed design; the broken lines form no part of the claimed design.

1 Claim, 5 Drawing Sheets



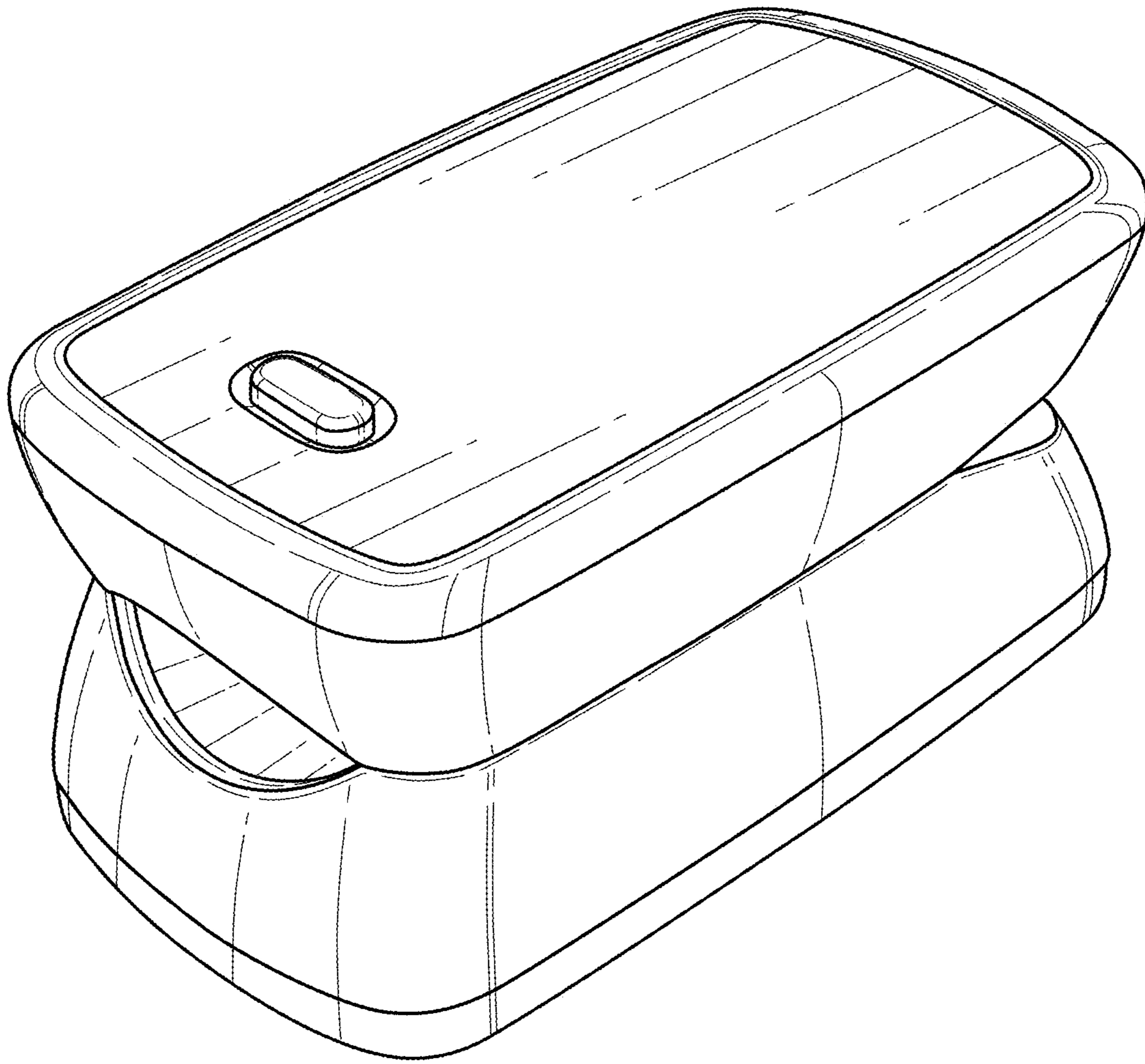


FIG. 1

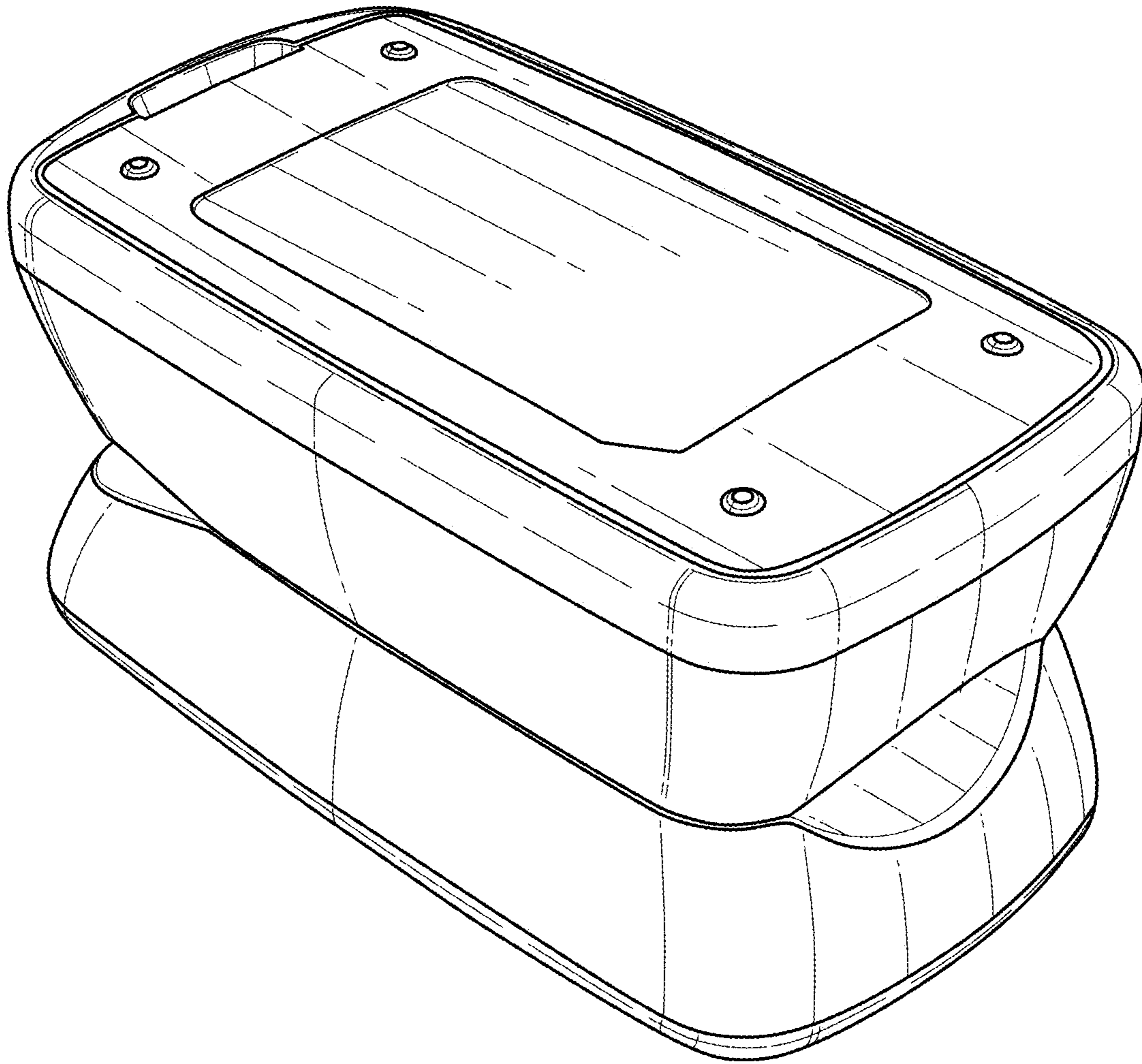


FIG. 2

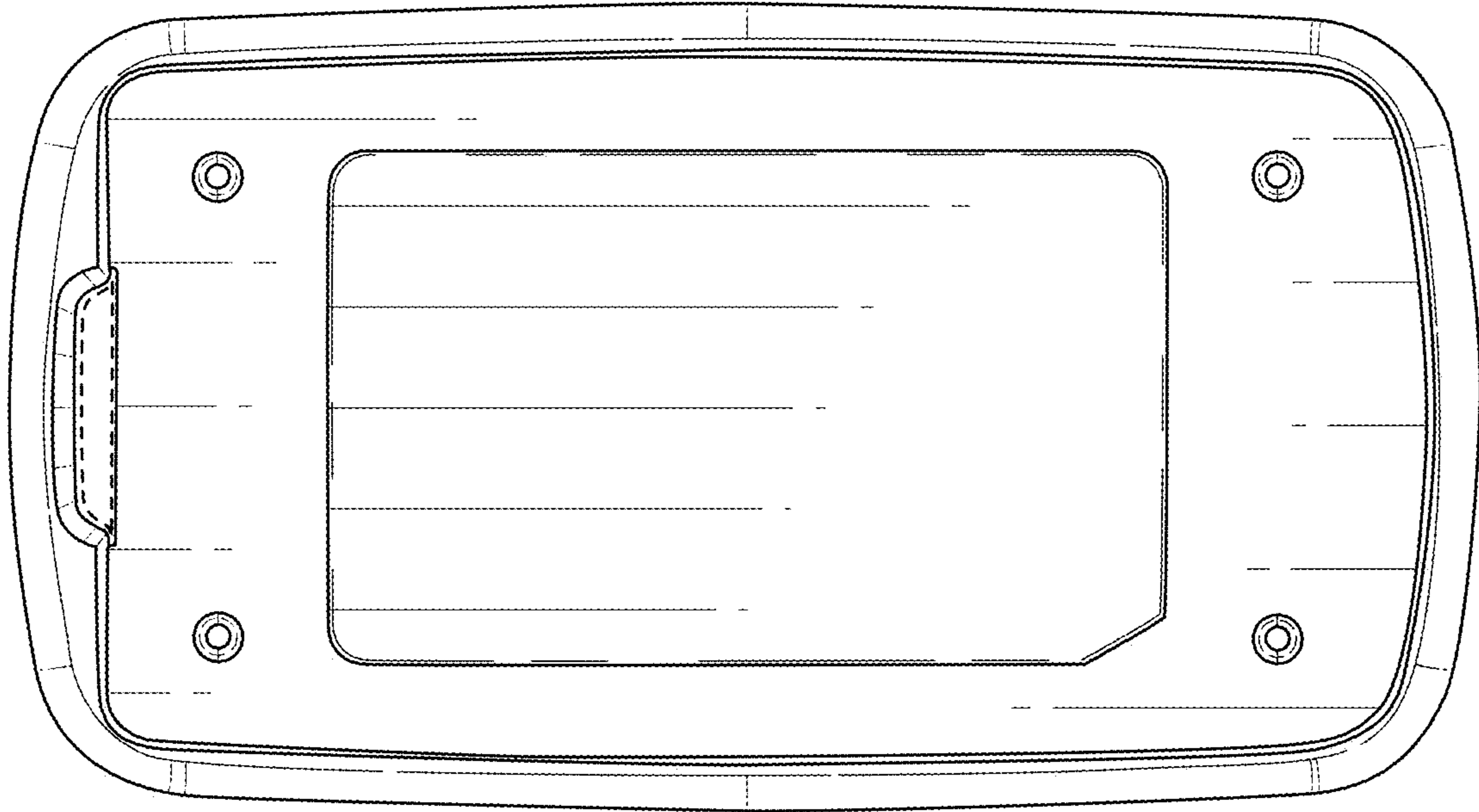


FIG. 3

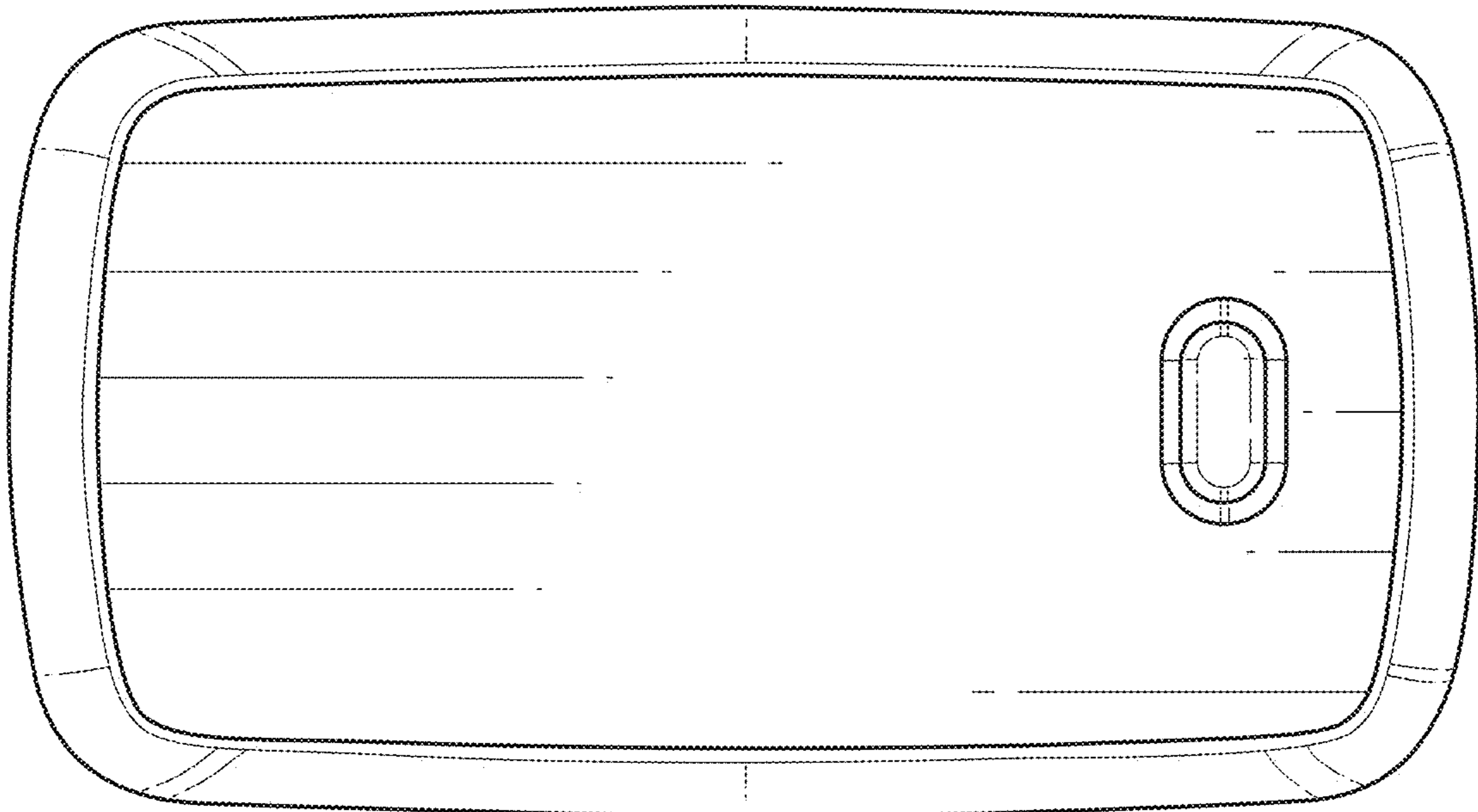


FIG. 4

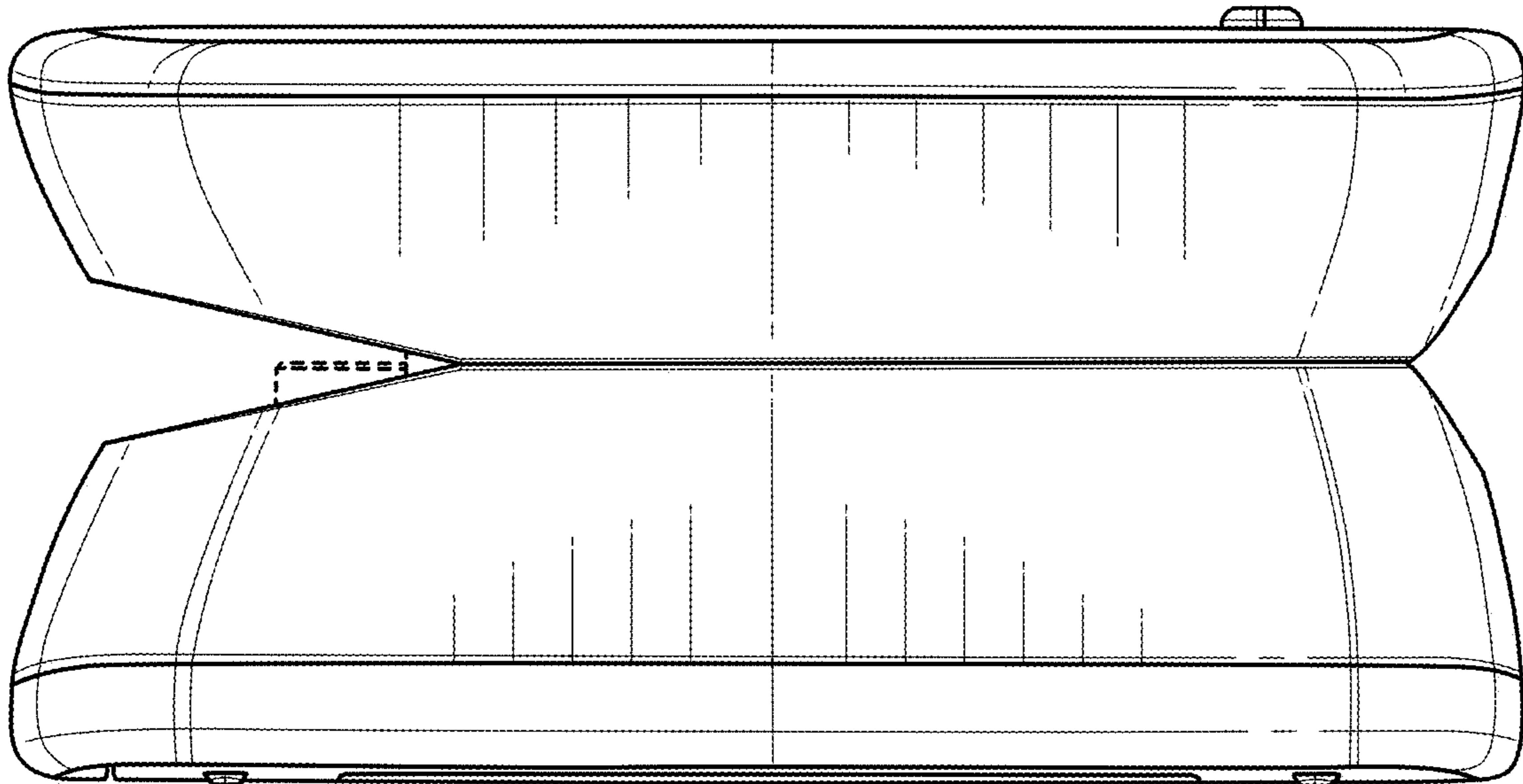


FIG. 5

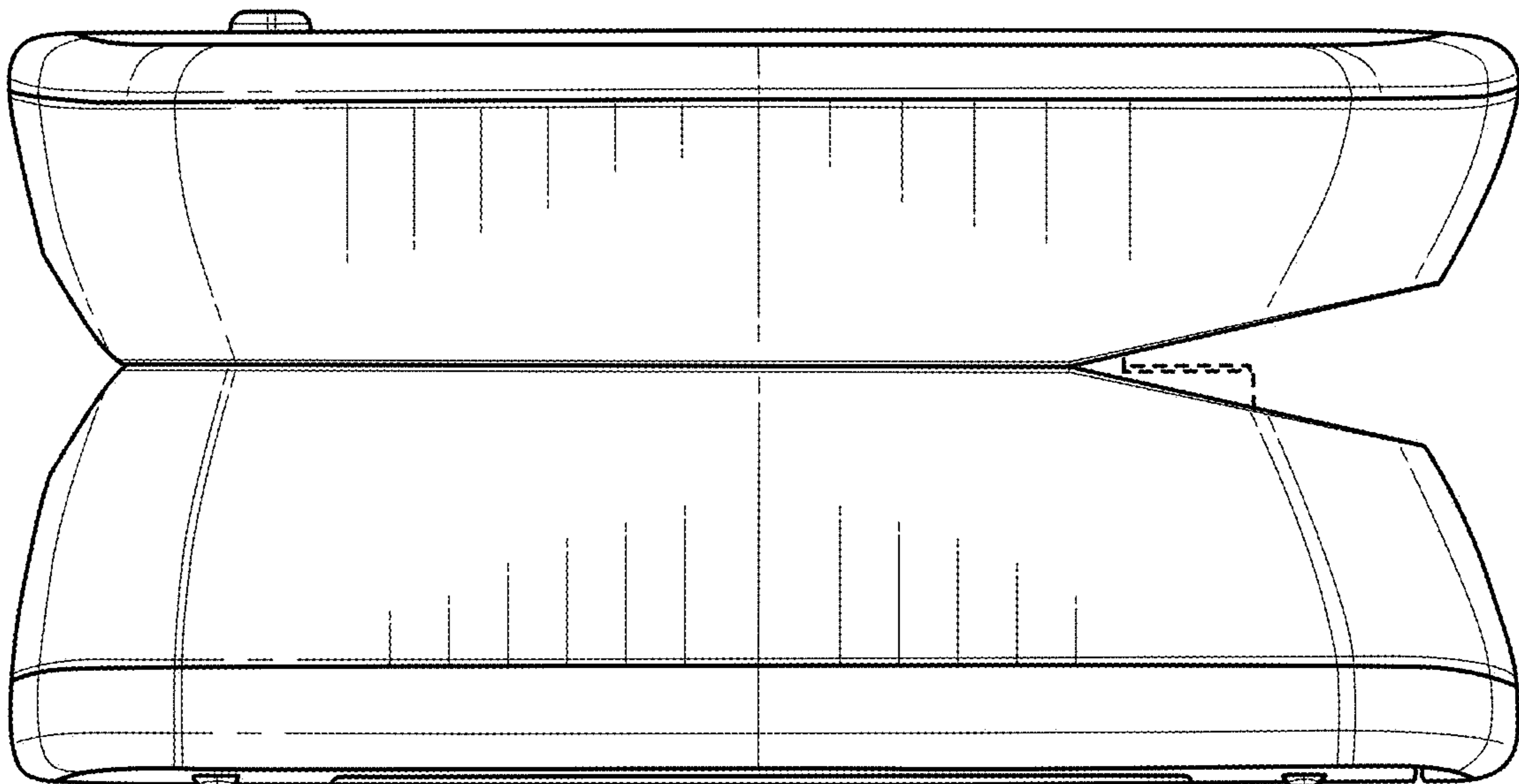


FIG. 6

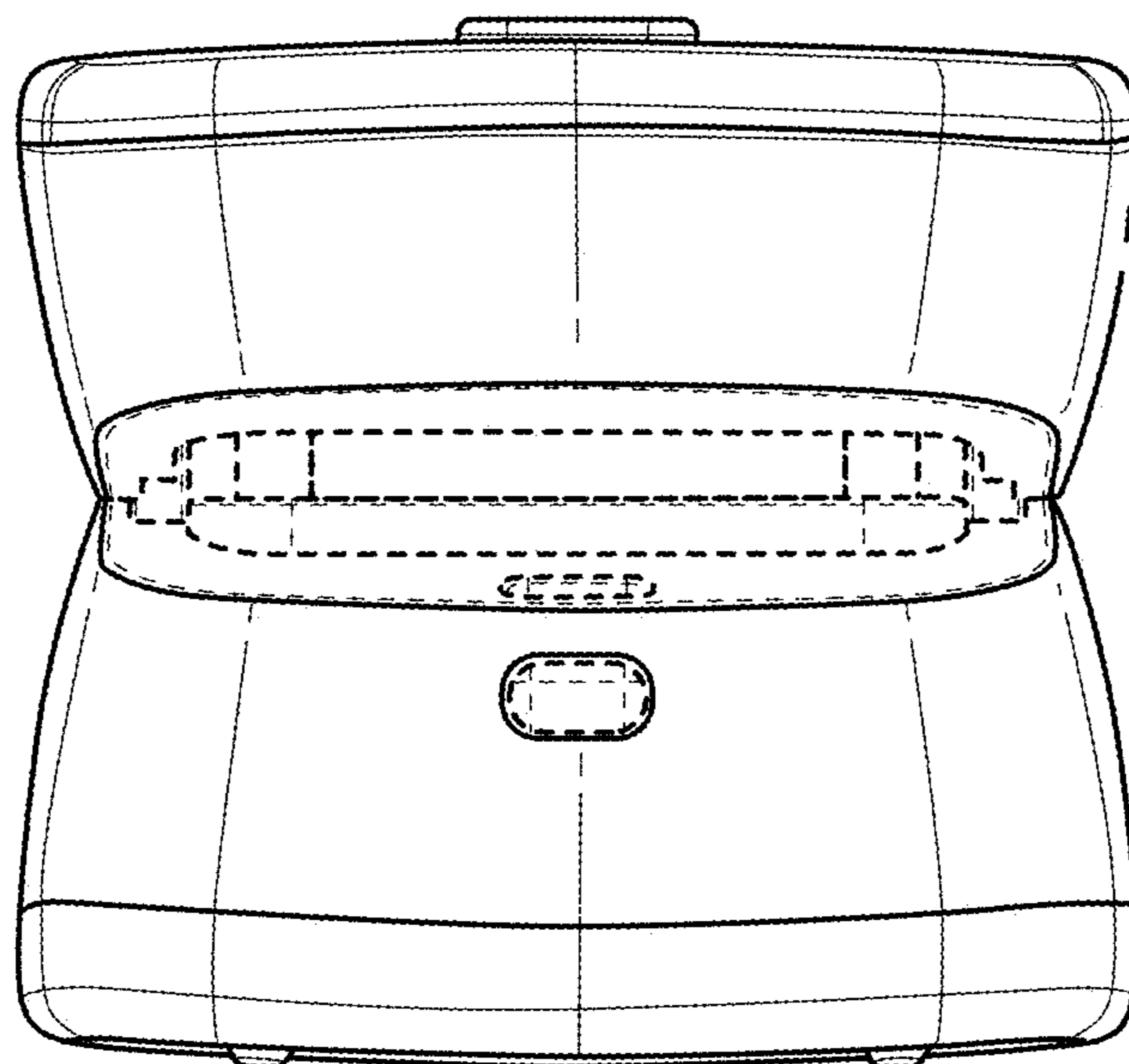


FIG. 7

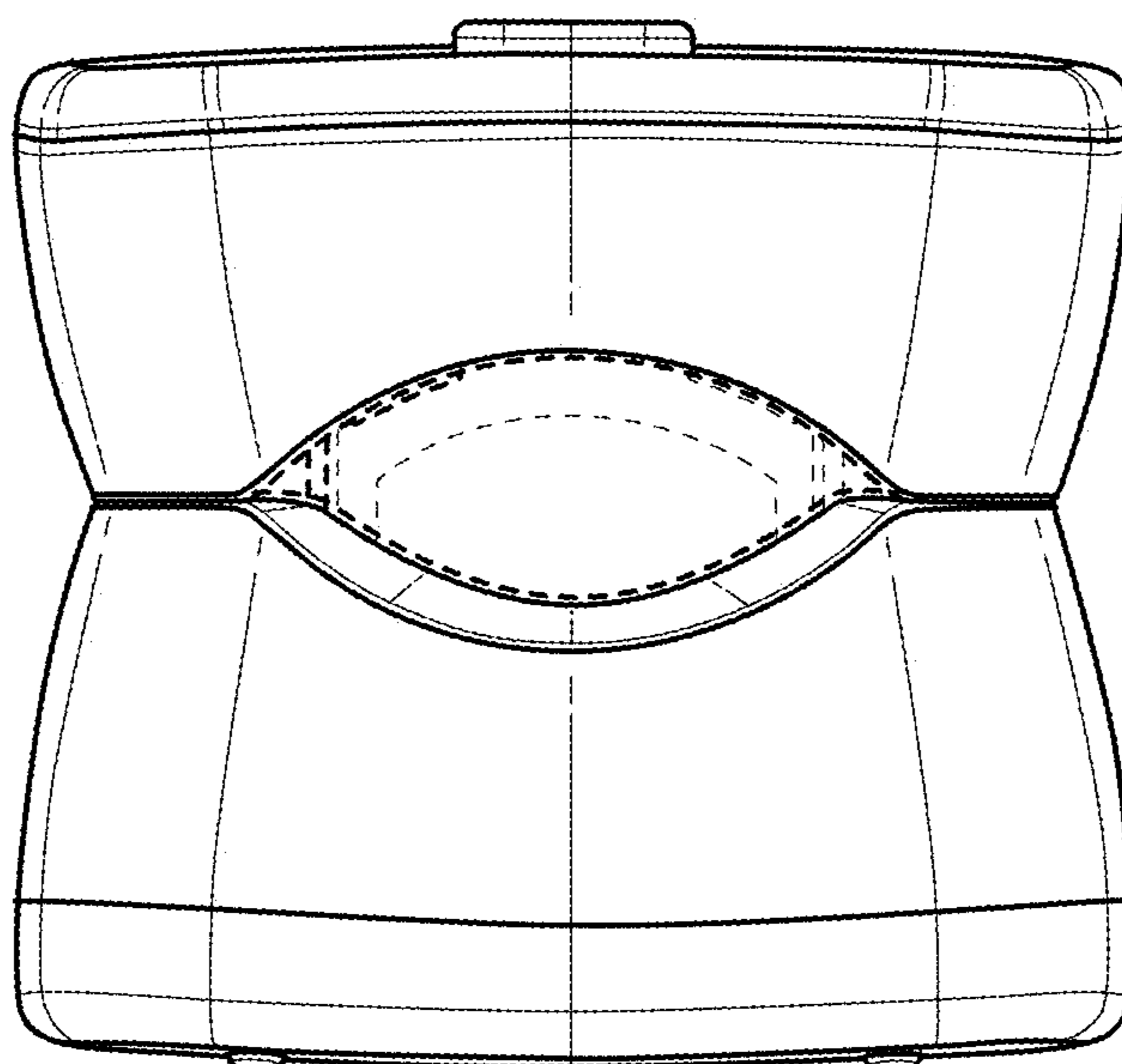


FIG. 8